

US00D508284S

(12) **United States Design Patent** (10) **Patent No.:** **US D508,284 S**  
**Butler et al.** (45) **Date of Patent:** **\*\* Aug. 9, 2005**

(54) **AIR FRESHENER DEVICE**

(75) Inventors: **Martin Butler**, Reckitt Benckiser (UK) Limited, Dansom Lane, Hull, HU8 7DS (GB); **Richard Read**, Reckitt Benckiser (UK) Limited, Dansom Lane, Hull, HU8 7DS (GB); **Christopher Smith**, Reckitt Benckiser (UK) Limited, Dansom Lane, Hull, HU8 7DS (GB)

(73) Assignees: **Martin Butler**, Slough (GB); **Richard Read**, Slough (GB); **Christopher Smith**, Slough (GB)

(\*\*) Term: **14 Years**

(21) Appl. No.: **29/199,920**

(22) Filed: **Feb. 20, 2004**

(30) **Foreign Application Priority Data**

Aug. 26, 2003 (GB) ..... 3014172

(51) **LOC (8) Cl.** ..... **23-04**

(52) **U.S. Cl.** ..... **D23/366**

(58) **Field of Search** ..... 239/135, 136,  
 239/58; 261/DIG. 17, DIG. 65; D23/356-369;  
 392/390, 392

(56) **References Cited**

**U.S. PATENT DOCUMENTS**

D307,469 S \* 4/1990 Gutkowski ..... D23/367

D309,943 S \* 8/1990 Jones et al. .... D23/369  
 D317,044 S \* 5/1991 Thomson ..... D23/367  
 D365,629 S \* 12/1995 Wallwork et al. .... D23/366  
 D458,359 S \* 6/2002 Blanchette ..... D23/366  
 D478,973 S \* 8/2003 Wagner ..... D23/367  
 D484,229 S \* 12/2003 Upson ..... D23/366  
 D484,585 S \* 12/2003 Upson ..... D23/366

\* cited by examiner

*Primary Examiner*—Antoine Duval Davis  
*Assistant Examiner*—Sandra Snapp  
 (74) *Attorney, Agent, or Firm*—Norris McLaughlin & Marcus, P.A.

(57) **CLAIM**

The ornamental design for an air freshener device, as shown.

**DESCRIPTION**

FIG. 1 is a perspective view toward the front of the air freshener device.

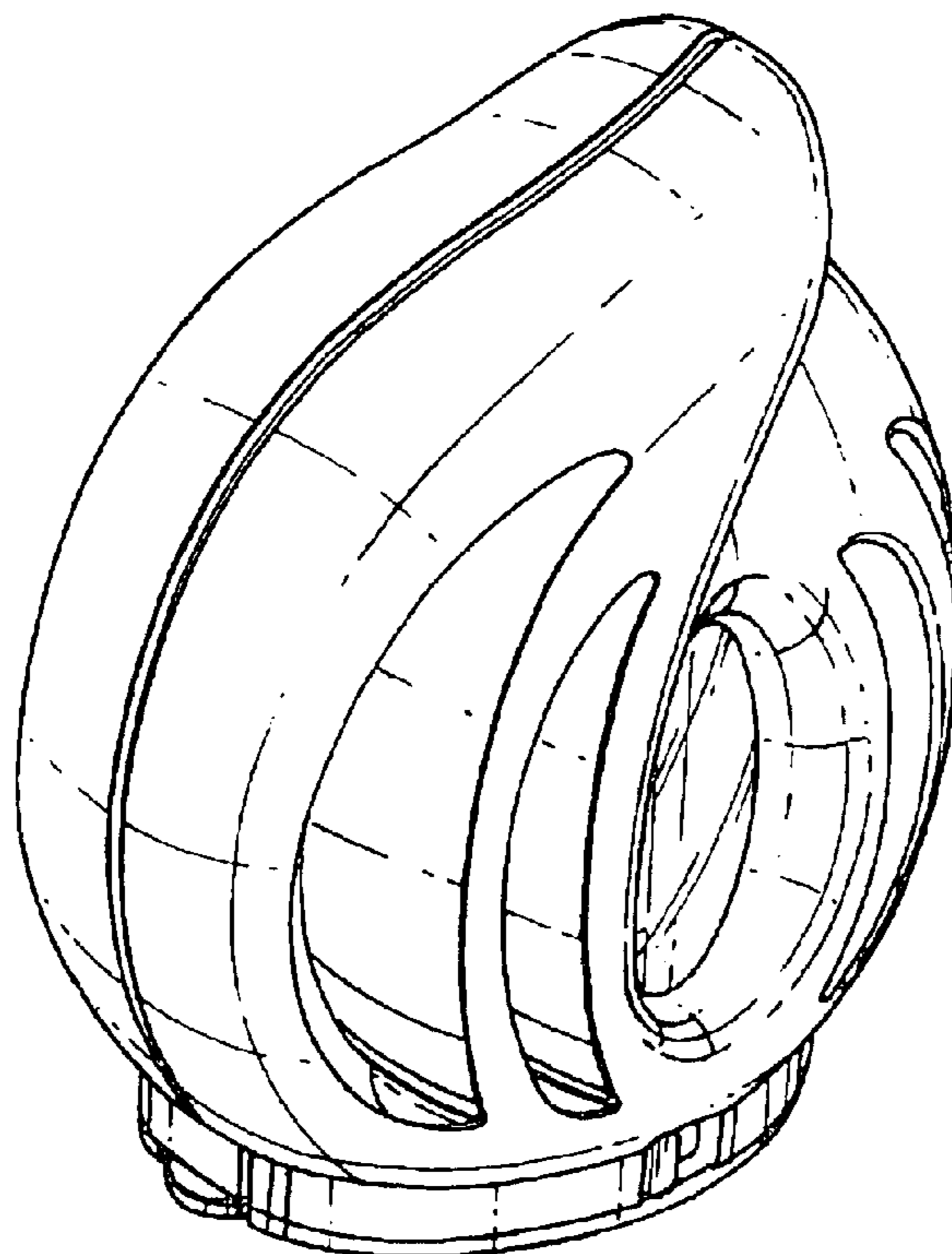
FIG. 2 is a plan view of a side of the air freshener device.

FIG. 3 is a plan view of the back of the air freshener device.

FIG. 4 is a plan view of the top of the air freshener device; and,

FIG. 5 is a plan view of the bottom of the air freshener device.

**1 Claim, 3 Drawing Sheets**



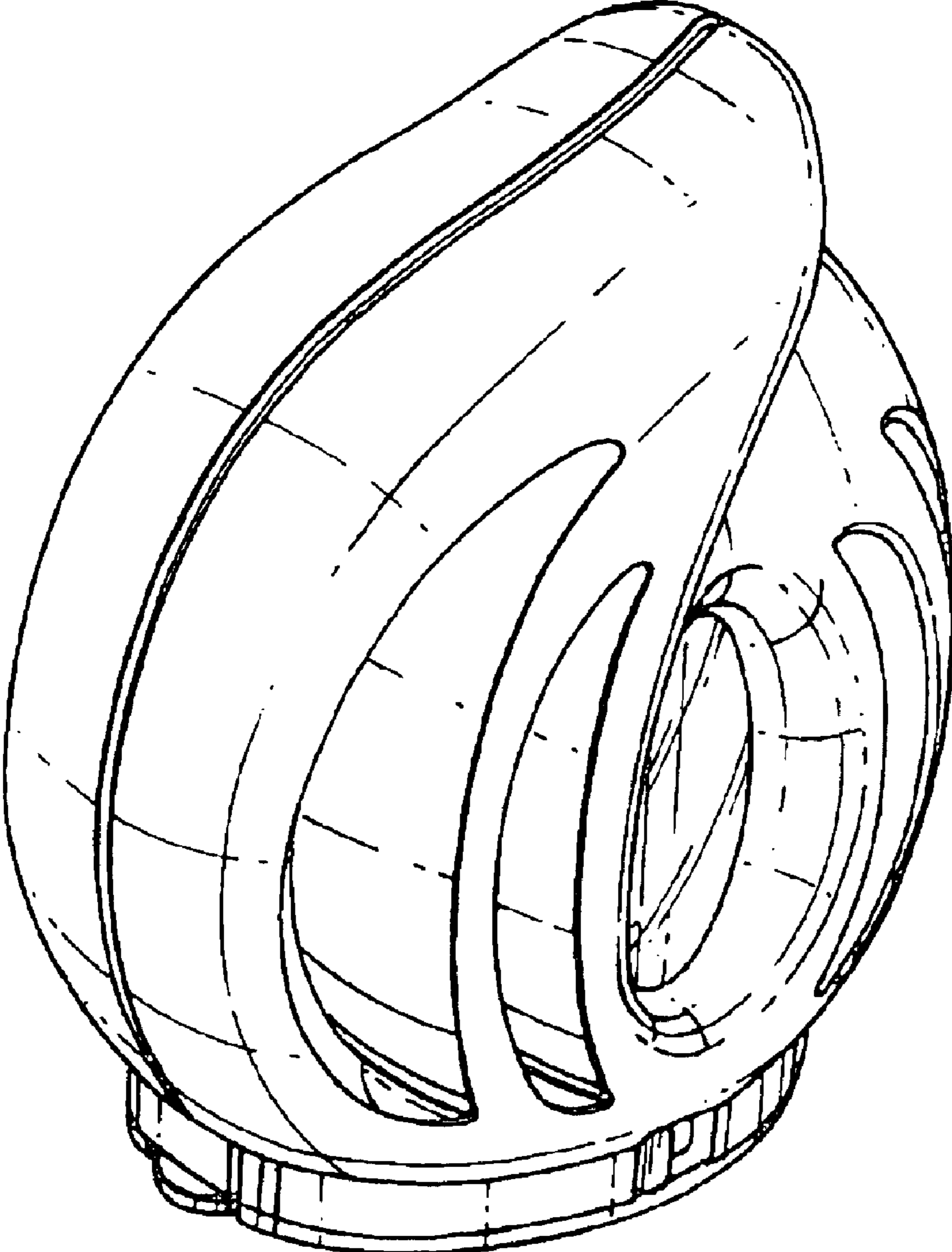


Fig. 1.

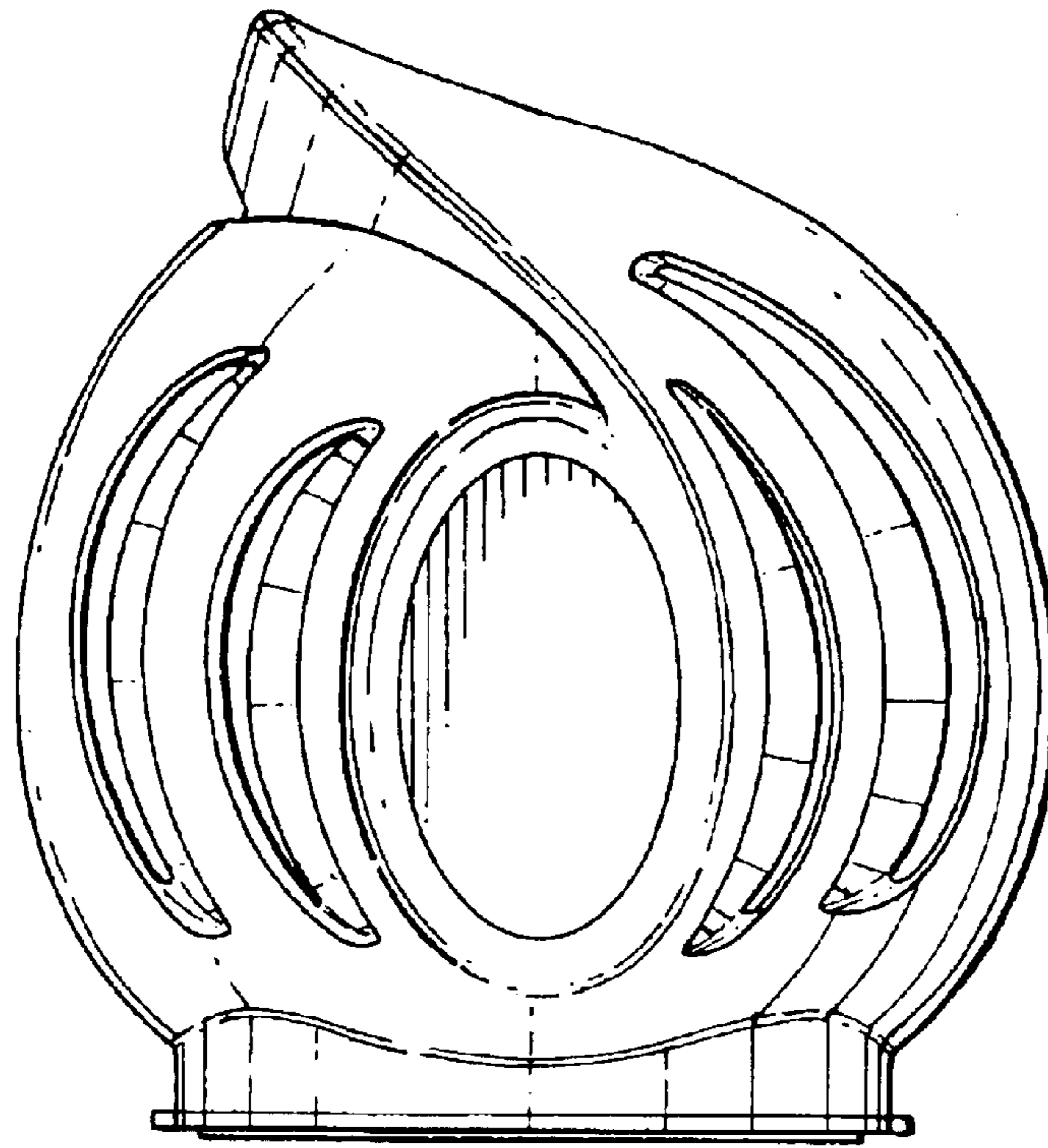


Fig.2.

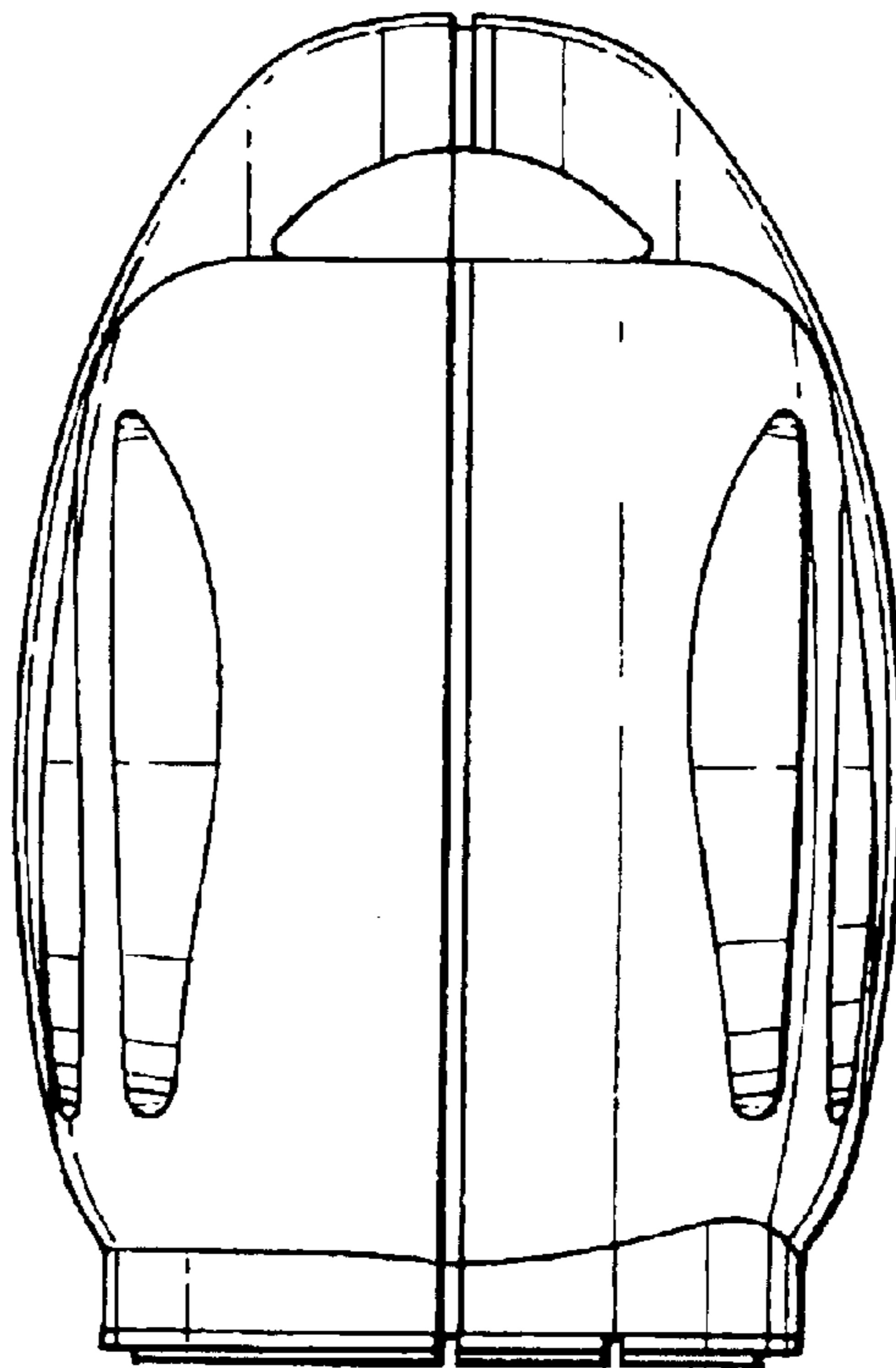


Fig.3.

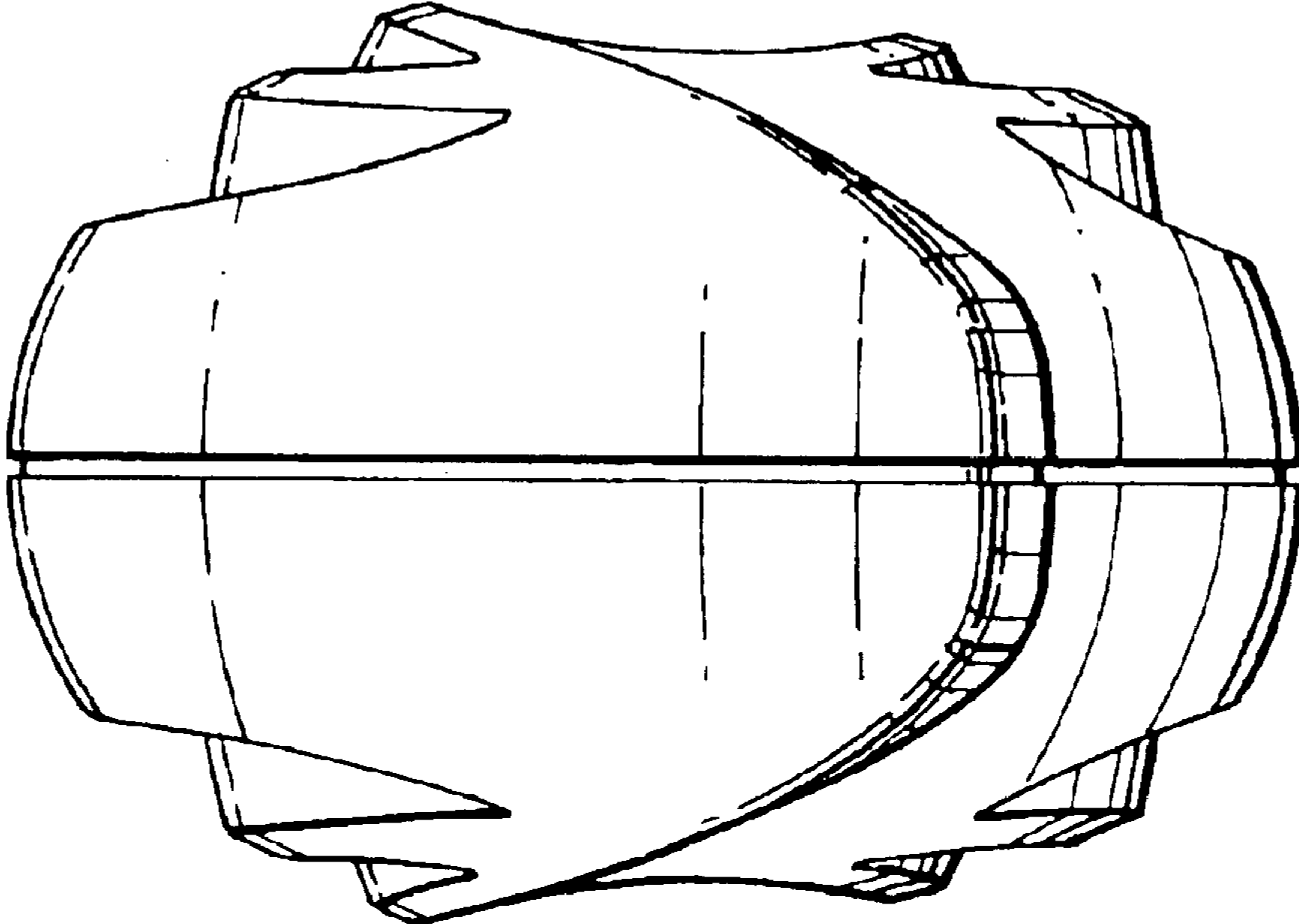


Fig.4.

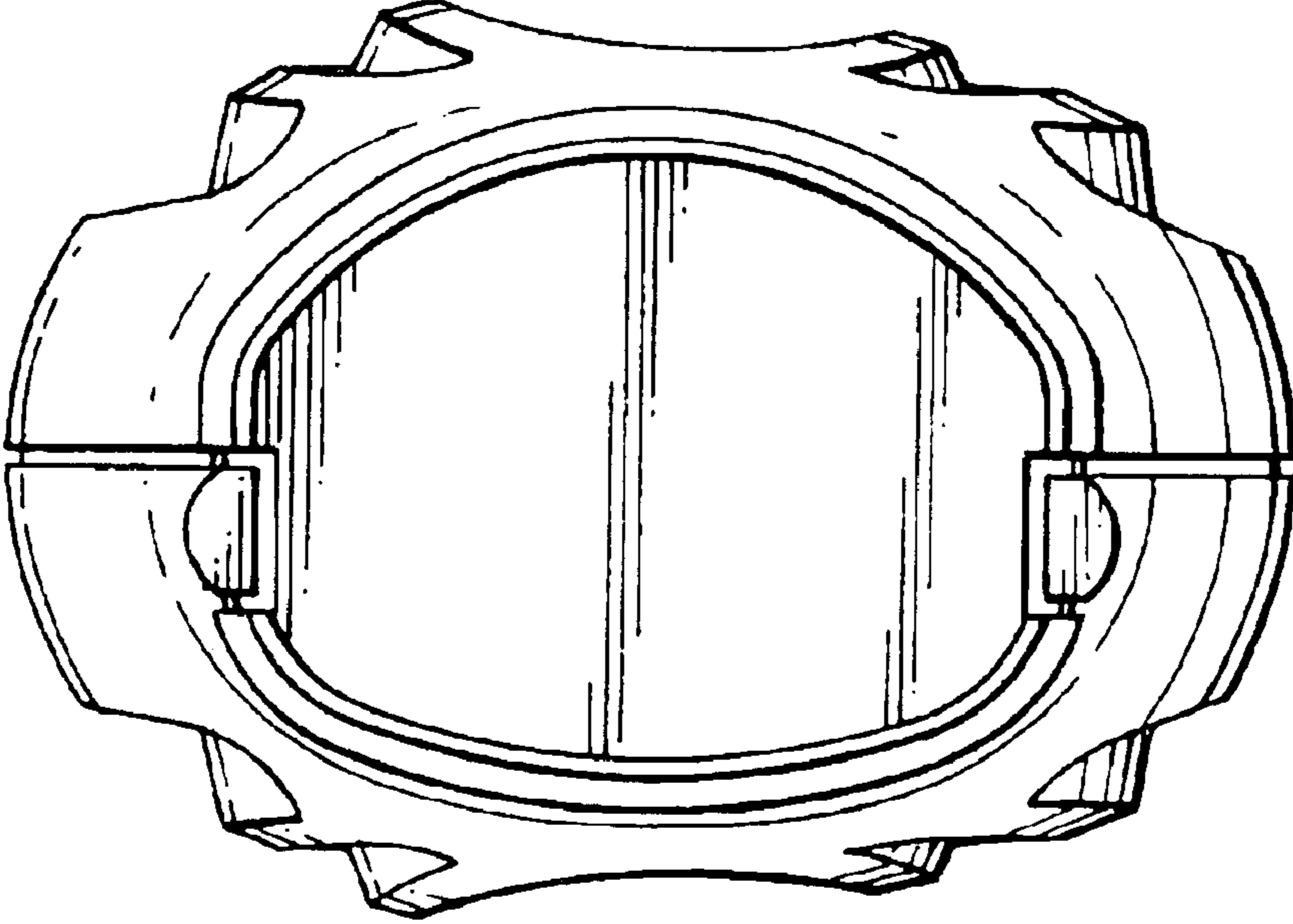


Fig.5.