



US00D508281S

(12) **United States Design Patent**  
**McClellan**

(10) **Patent No.:** **US D508,281 S**  
(45) **Date of Patent:** **\*\* Aug. 9, 2005**

(54) **WATER PURIFYING INSTALLATION**

(75) Inventor: **Jonathan McClellan**, Berkshire (GB)

(73) Assignee: **Hanovia Limited**, Berkshire (GB)

(\*\*) Term: **14 Years**

(21) Appl. No.: **29/202,904**

(22) Filed: **Apr. 6, 2004**

(51) **LOC (8) Cl.** ..... **23-01**

(52) **U.S. Cl.** ..... **D23/207**

(58) **Field of Search** ..... D23/207, 209;  
210/250, 446; 250/432

(56) **References Cited**

**U.S. PATENT DOCUMENTS**

D282,561 S	*	2/1986	Lu	.....	D23/207
D292,429 S	*	10/1987	Spink	.....	D23/209
D306,339 S	*	2/1990	Slovak	.....	D23/207
D351,893 S	*	10/1994	Whitesel	.....	D23/207
6,372,132 B1	*	4/2002	Williams	.....	210/232

\* cited by examiner

*Primary Examiner*—Robin V. Taylor  
(74) *Attorney, Agent, or Firm*—Schwegman, Lundberg,  
Woessner & Kluth, P.A.

(57) **CLAIM**

The ornamental design for the water purifying installation,  
as shown and described.

**DESCRIPTION**

FIG. 1 is a perspective view of the water purifying installation, incorporating the new design.

FIG. 2 is a right side view of the water purifying installation, of FIG. 1.

FIG. 3 is a left side view of the water purifying installation, of FIG. 1.

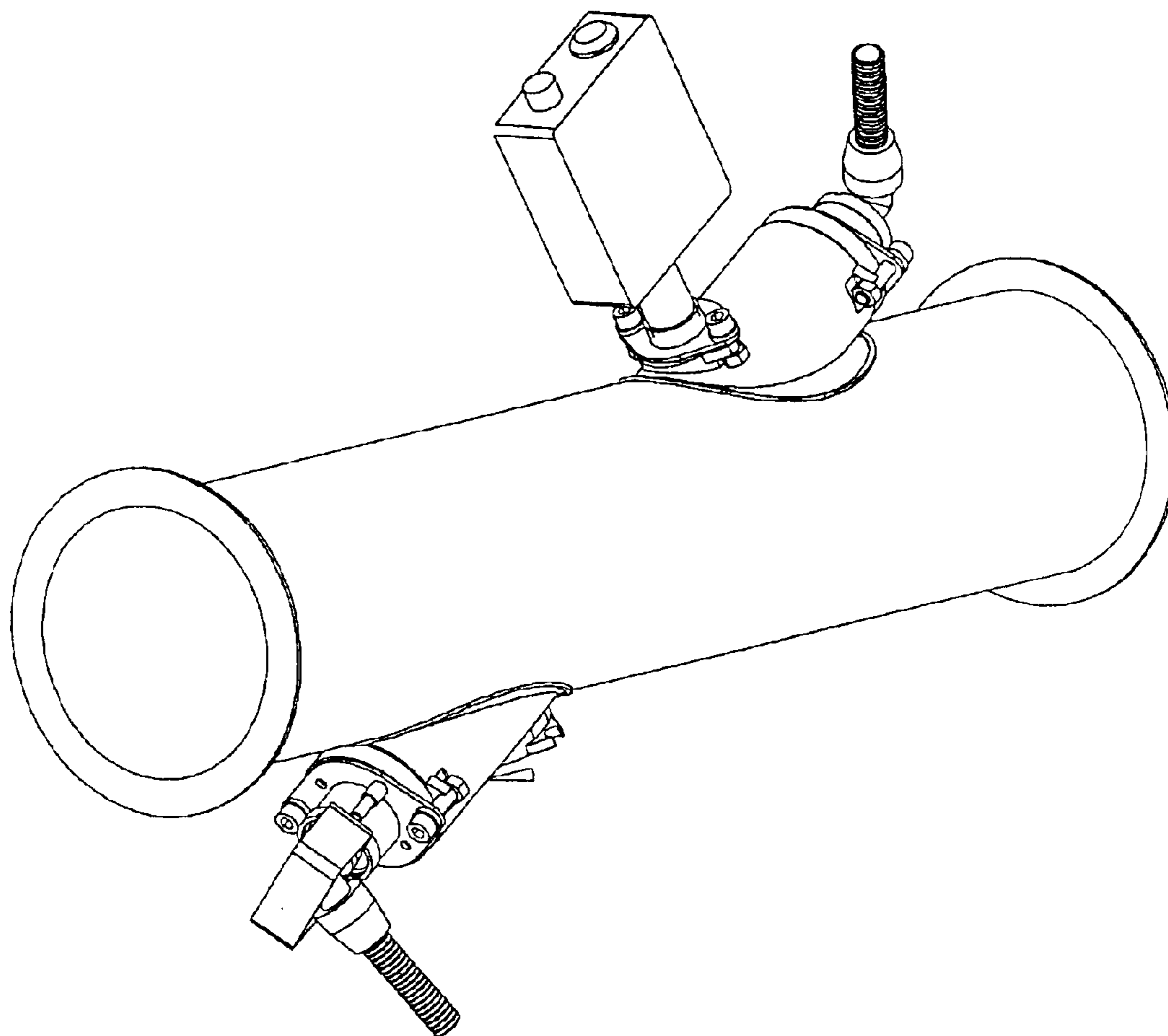
FIG. 4 is a top view of the water purifying installation, of FIG. 1.

FIG. 5 is a bottom view of the water purifying installation, of FIG. 1.

FIG. 6 is a front view of the water purifying installation, of FIG. 1; and,

FIG. 7 is a rear view of the water purifying installation, of FIG. 1.

**1 Claim, 4 Drawing Sheets**



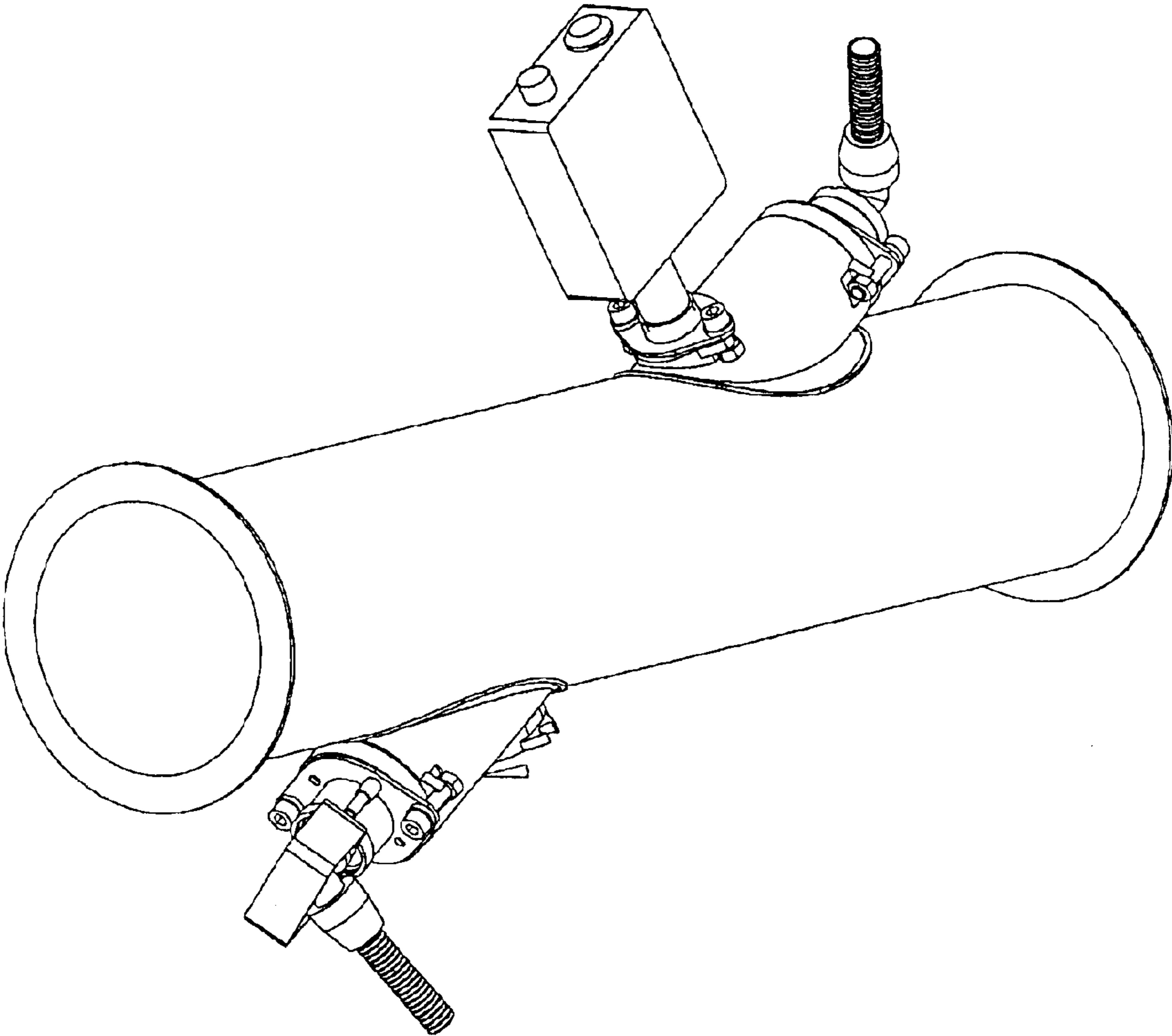


FIG. 1

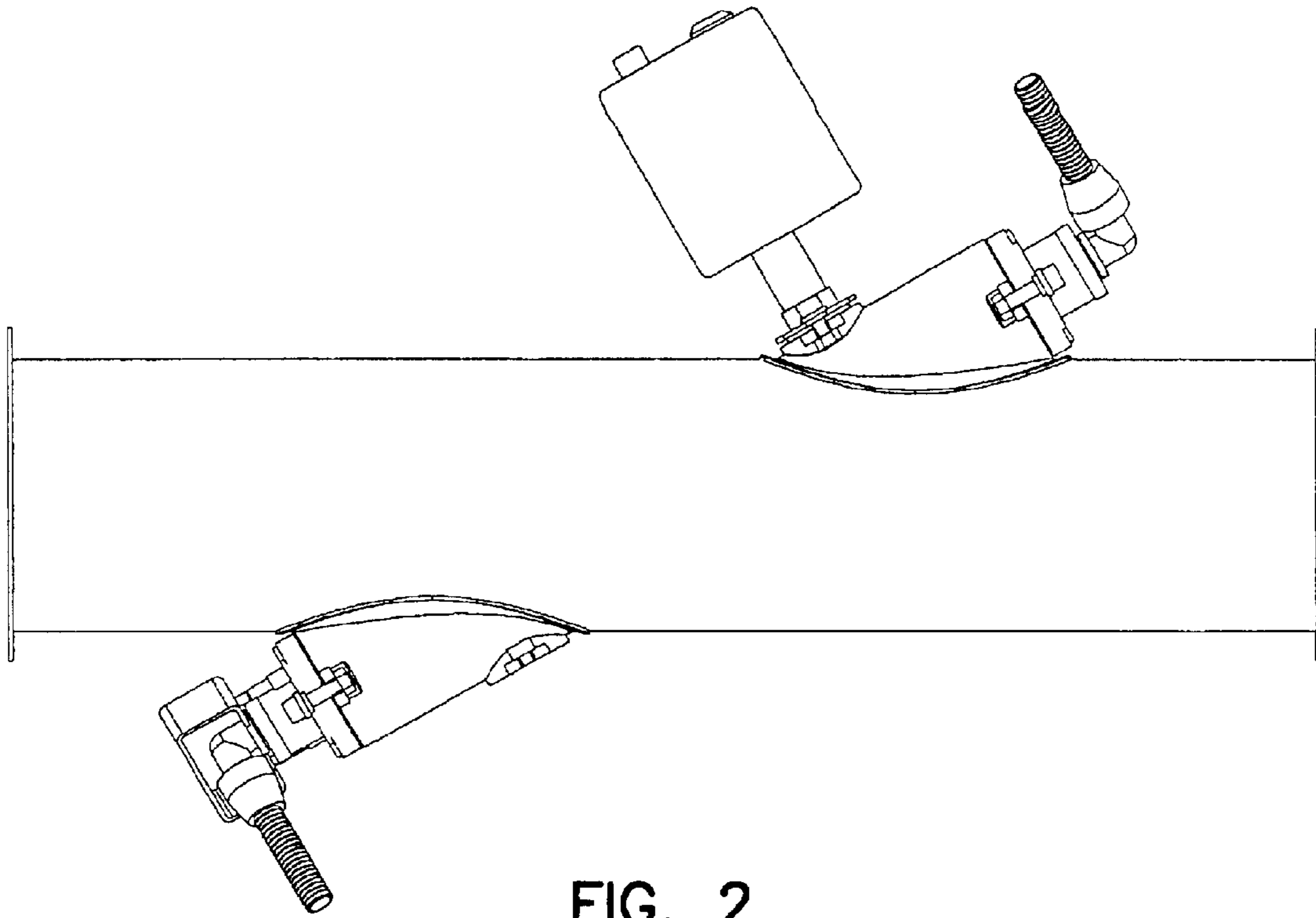


FIG. 2

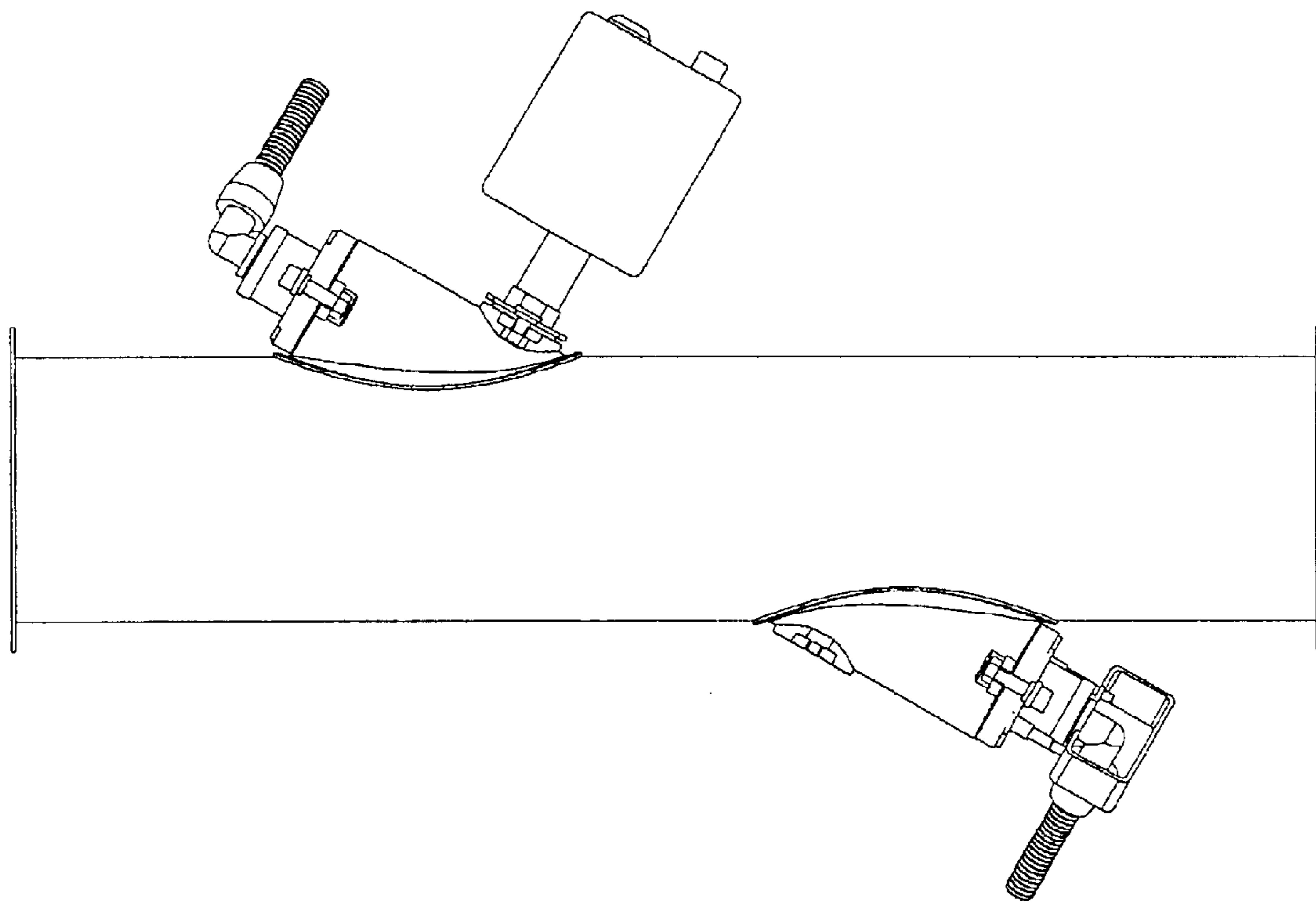


FIG. 3

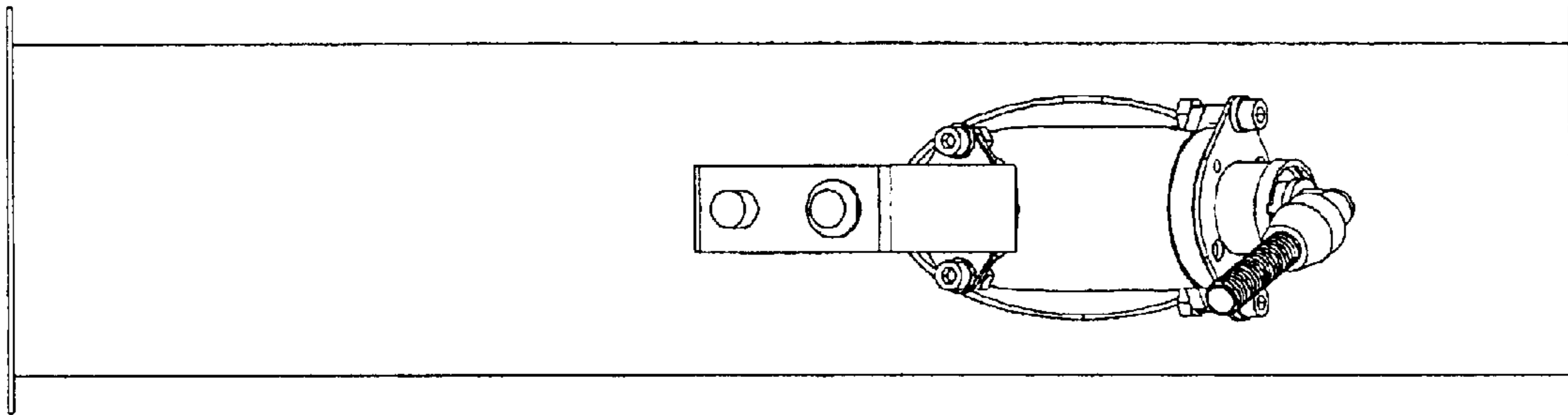


FIG. 4

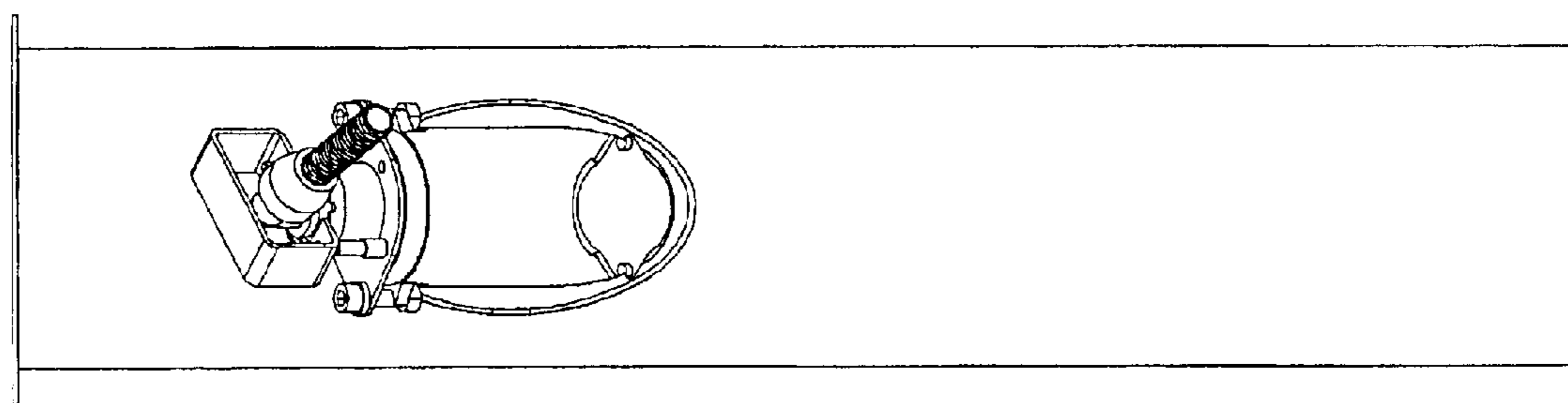


FIG. 5

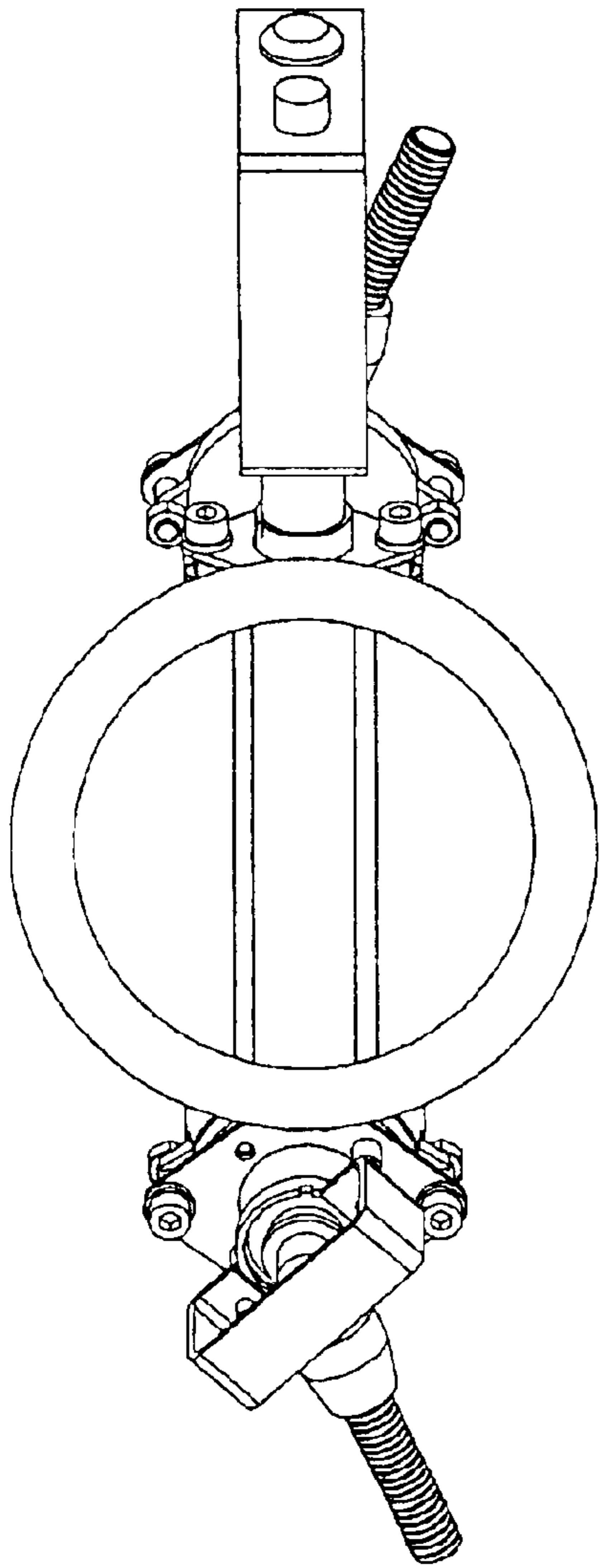


FIG. 6

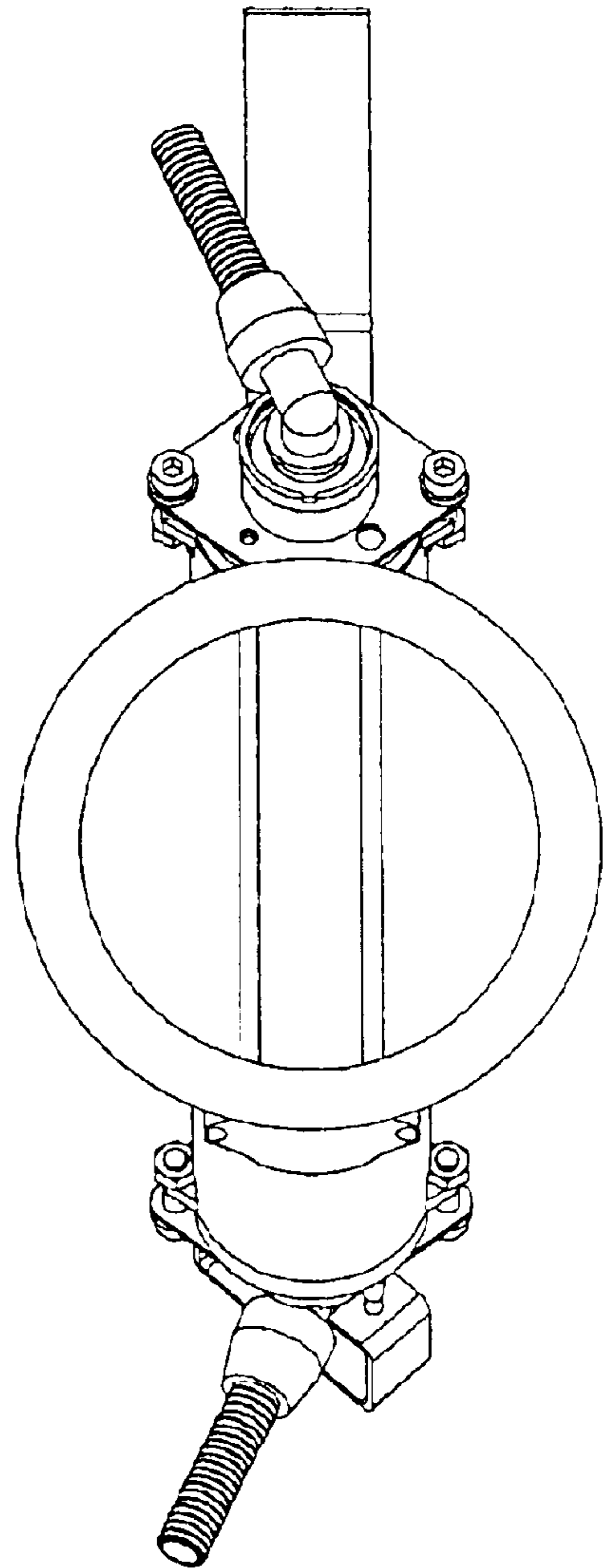


FIG. 7