

US00D508280S

(12) **United States Design Patent**
Frigon

(10) **Patent No.:** **US D508,280 S**

(45) **Date of Patent:** **** Aug. 9, 2005**

(54) **FISHING LINE HANDLING TOOL**

(76) **Inventor:** **Walter J. Frigon**, 591 California Ave.,
Brick, NJ (US) 08724

(**) **Term:** **14 Years**

(21) **Appl. No.:** **29/207,711**

(22) **Filed:** **Jun. 17, 2004**

(51) **LOC (8) Cl.** **22-05**

(52) **U.S. Cl.** **D22/149**

(58) **Field of Search** D22/149, 134,
D22/199; 43/5, 54.1, 57.1, 57.2, 17.2

(56) **References Cited**

U.S. PATENT DOCUMENTS

D284,299 S *	6/1986	Auerbach et al.	D22/143
6,219,958 B1 *	4/2001	Eberts	43/57.2
D462,106 S *	8/2002	King et al.	D22/134
2004/0074137 A1 *	4/2004	Levy	43/57.2

* cited by examiner

Primary Examiner—Catherine R. Oliver

(74) *Attorney, Agent, or Firm*—Michael R. Philips

(57) **CLAIM**

The ornamental design for a fishing line handling tool, as shown and described.

DESCRIPTION

FIG. 1 is a perspective view of a first preferred embodiment of the fishing line handling tool of my new design, showing a fishing line segment wrapped thereabout in dashed lines.

FIG. 2 is a front elevation view thereof.

FIG. 3 is a rear elevation view thereof.

FIG. 4 is a top plan view thereof.

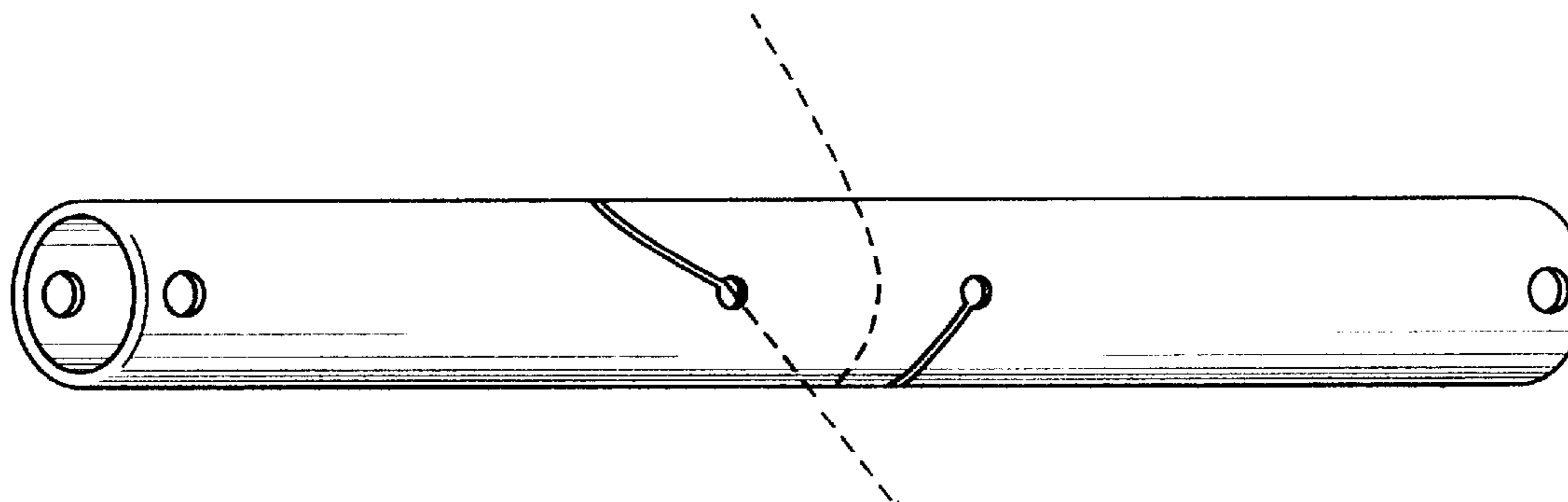
FIG. 5 is a bottom plan view thereof.

FIG. 6 is a right end elevation view thereof, the left end elevation being a mirror image; and,

FIG. 7 is a perspective view of a second preferred embodiment of the fishing line handling tool of my new design.

The broken line showing of environment in FIG. 1 is for illustrative purposes only and forms no part of the claimed design.

1 Claim, 2 Drawing Sheets



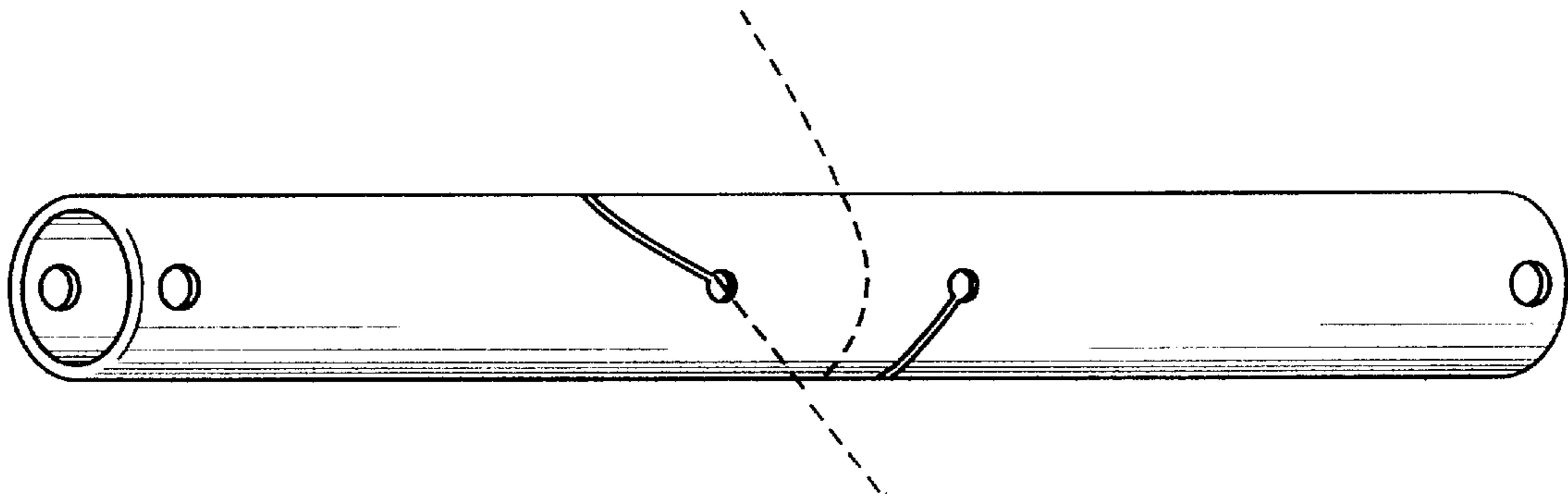


FIG. 1

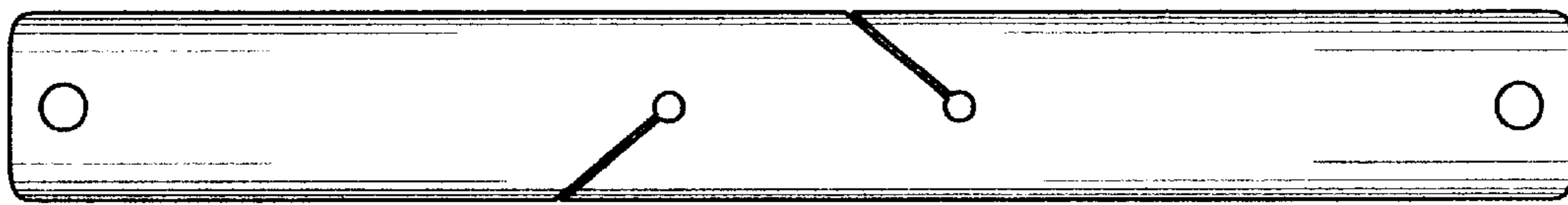


FIG. 2

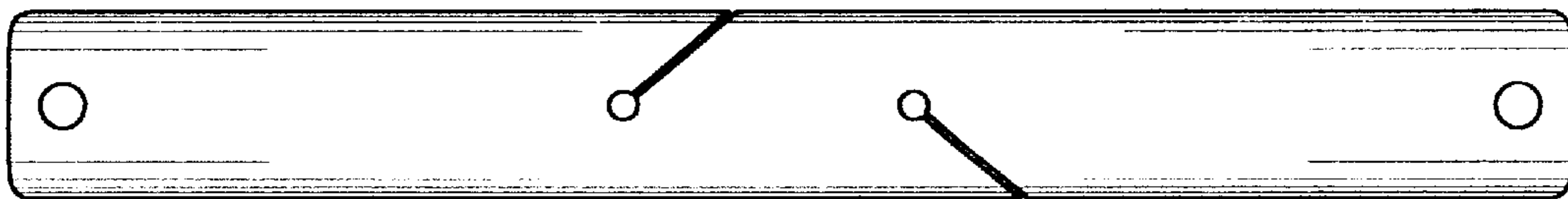


FIG. 3

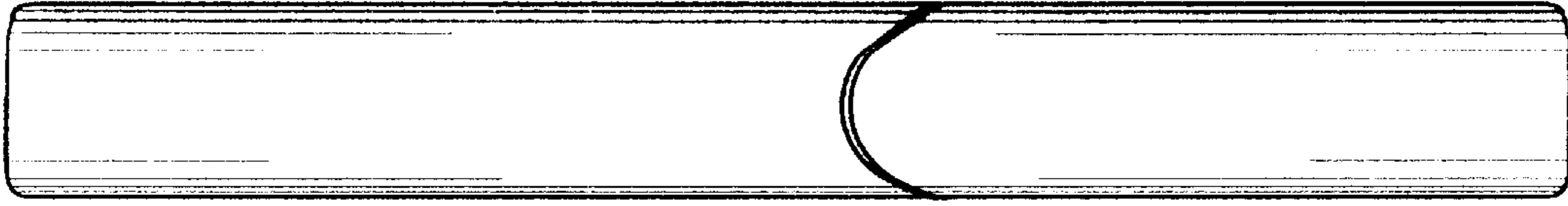


FIG. 4



FIG. 5

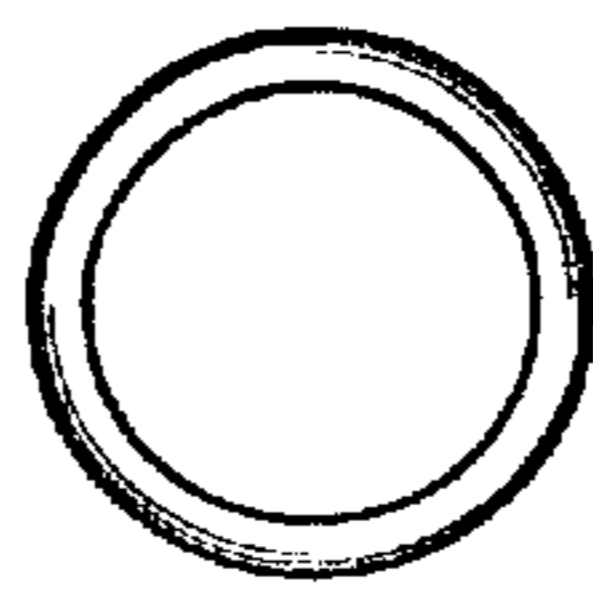


FIG. 6

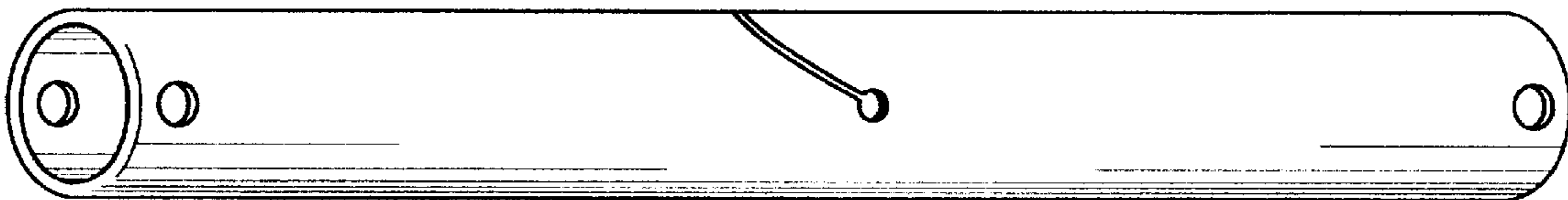


FIG. 7