

US00D508276S

(12) **United States Design Patent**
Madore

(10) **Patent No.:** **US D508,276 S**
(45) **Date of Patent:** **** Aug. 9, 2005**

(54) **PORTION OF A GOLF CLUB HEAD FOR A PUTTER**

(75) Inventor: **Carl L. Madore**, Portland, OR (US)

(73) Assignee: **Nike, Inc.**, Beaverton, OR (US)

(**) Term: **14 Years**

D444,194 S 6/2001 Calabro
6,422,950 B1 7/2002 Whitlam
D461,514 S 8/2002 Tang et al.
D461,861 S 8/2002 Tang et al.
D481,089 S 10/2003 Breier et al.
D484,207 S 12/2003 Swift
D485,321 S 1/2004 Breier et al.
D491,991 S * 6/2004 Friebus D21/738

(21) Appl. No.: **29/203,564**

(22) Filed: **Apr. 16, 2004**

(51) **LOC (8) Cl.** **21-02**

(52) **U.S. Cl.** **D21/759**

(58) **Field of Search** D21/736-746,
D21/759; 473/324-331, 251-256, 340,
341

(56) **References Cited**

U.S. PATENT DOCUMENTS

1,666,174 A 4/1928 Holland
1,907,134 A 5/1933 Weiskopf
D191,314 S 9/1961 Mengel
D241,957 S 10/1976 Melton
D245,437 S 8/1977 Thiel
D271,317 S 11/1983 Bretl
D317,490 S 6/1991 Pelz
D318,702 S 7/1991 Igarashi
5,282,622 A 2/1994 Evans
D360,922 S 8/1995 Grace
D380,029 S * 6/1997 Anderson D21/745
D380,515 S 7/1997 Fabbri, Jr. et al.
D382,615 S 8/1997 Schaeffer et al.
5,871,407 A 2/1999 Tseng
D407,454 S 3/1999 Terry
5,876,293 A 3/1999 Musty
D413,951 S 9/1999 Storer et al.
D414,232 S 9/1999 Just et al.
5,951,412 A 9/1999 Rose et al.
5,993,330 A 11/1999 Akerstrom
6,068,560 A 5/2000 DeLuca
D429,785 S 8/2000 Leysock
6,102,814 A 8/2000 Grace et al.

OTHER PUBLICATIONS

Edwin Watts Golf Shops Catalog Summer 1998 pp. 39 and 43, dated Summer 1998.

Edwin Watts Golf Catalog Holiday 2000 p. 71, dated Holiday 2000.

Edwin Watts Golf Catalog Jan. 2004 p. 33, dated Jan. 2004.
Golf Club Head, GOLFCATALOG, HC07015289 (Japanese Publication) dated Apr. 20, 1995, p. 40.

* cited by examiner

Primary Examiner—Mitchell Siegel

(74) *Attorney, Agent, or Firm*—Banner & Witcoff, Ltd.

(57) **CLAIM**

The ornamental design for a portion of a golf club head for a putter, as shown and described.

DESCRIPTION

FIG. 1 is a perspective view of a portion of a golf club head for a putter showing my new design;

FIG. 2 is a toe side view thereof;

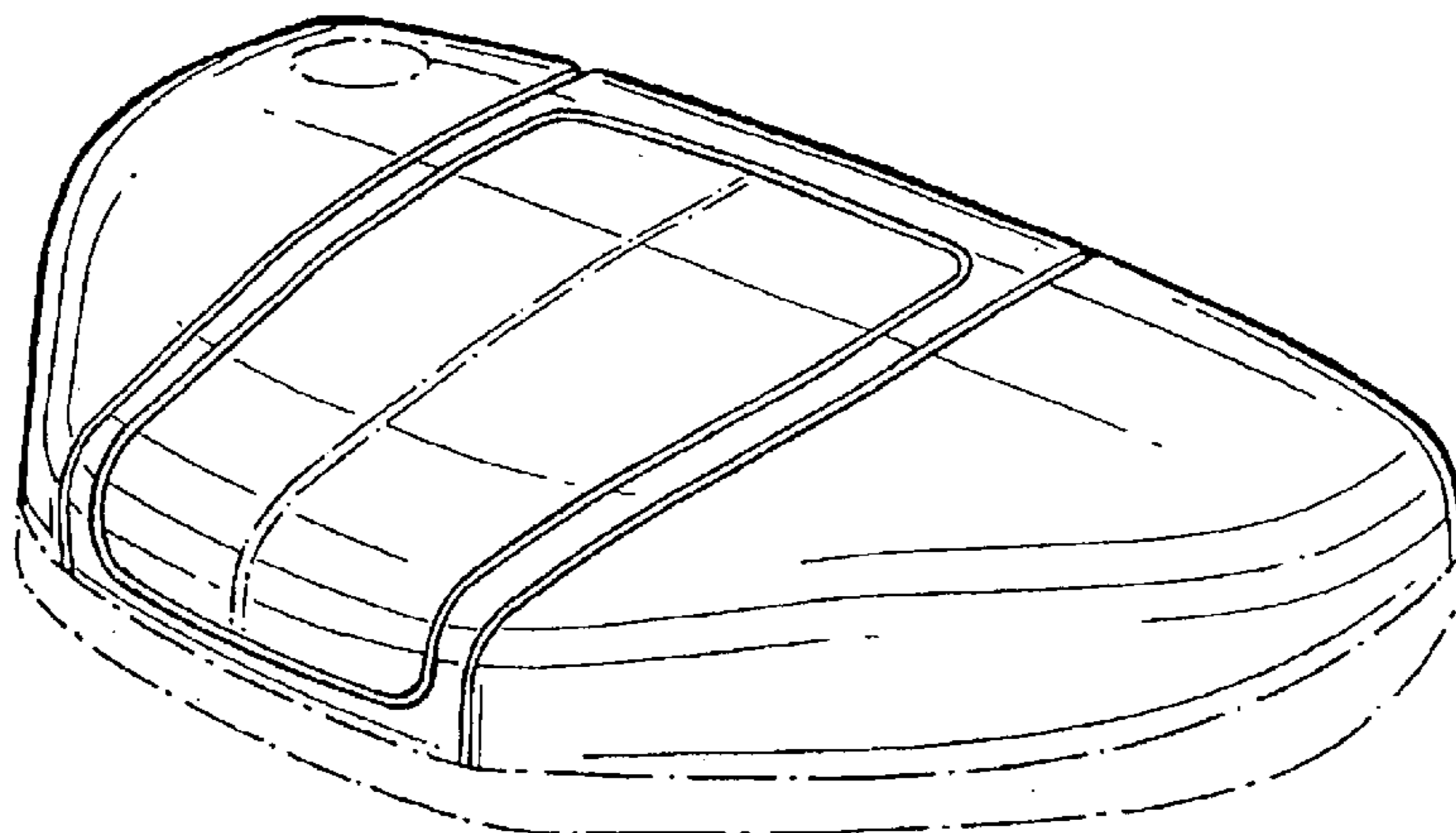
FIG. 3 is a rear view thereof;

FIG. 4 is a top view thereof; and,

FIG. 5 is a heel side view thereof.

The broken line showing immediately adjacent the shaded portion forms an unclaimed boundary of the design. The broken line showing of various features and the remainder of the golf club head form no part of the claimed design. The unshown portions of the golf club head form no part of the claimed design.

1 Claim, 2 Drawing Sheets



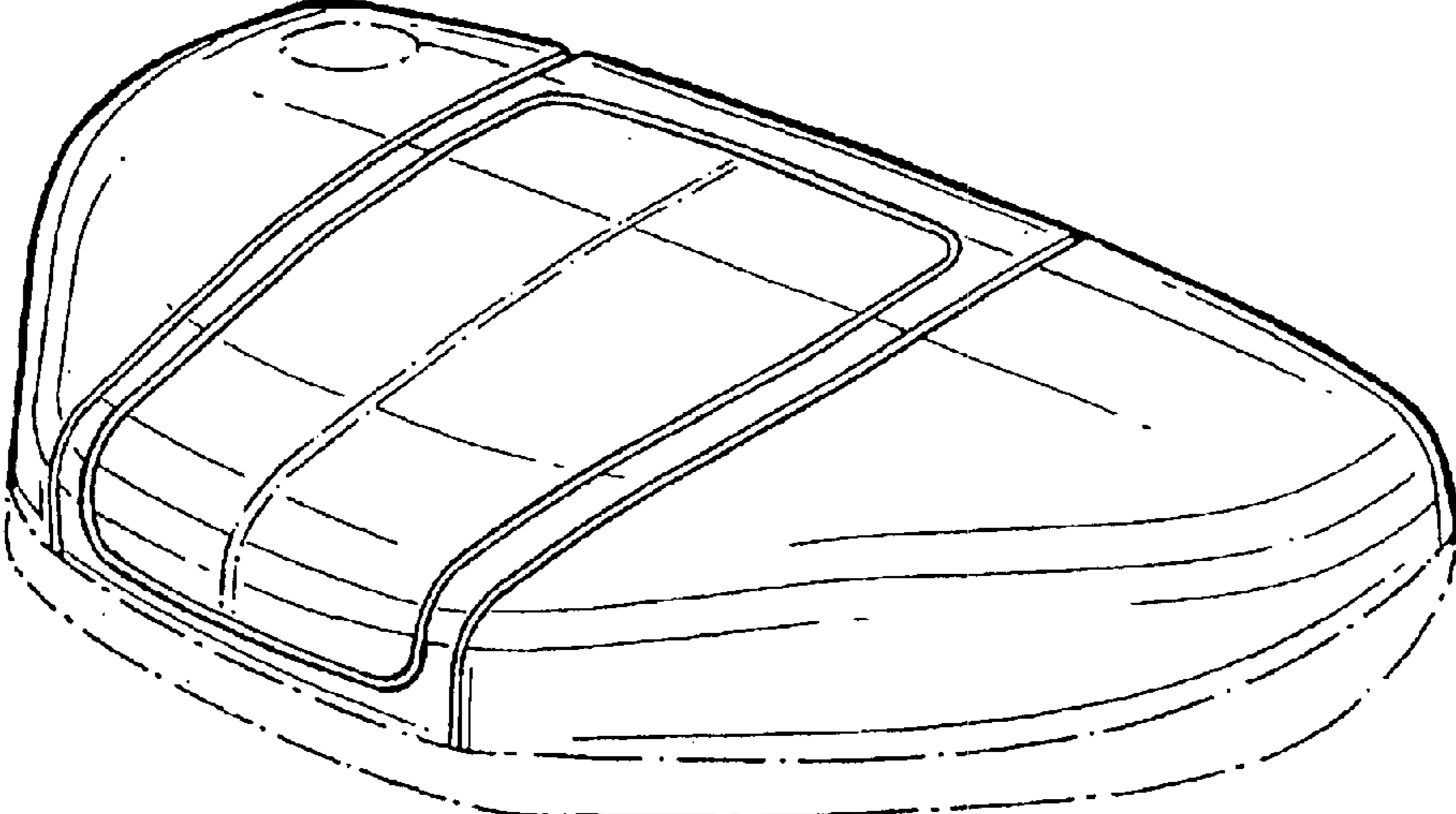


FIG. 1



FIG. 2

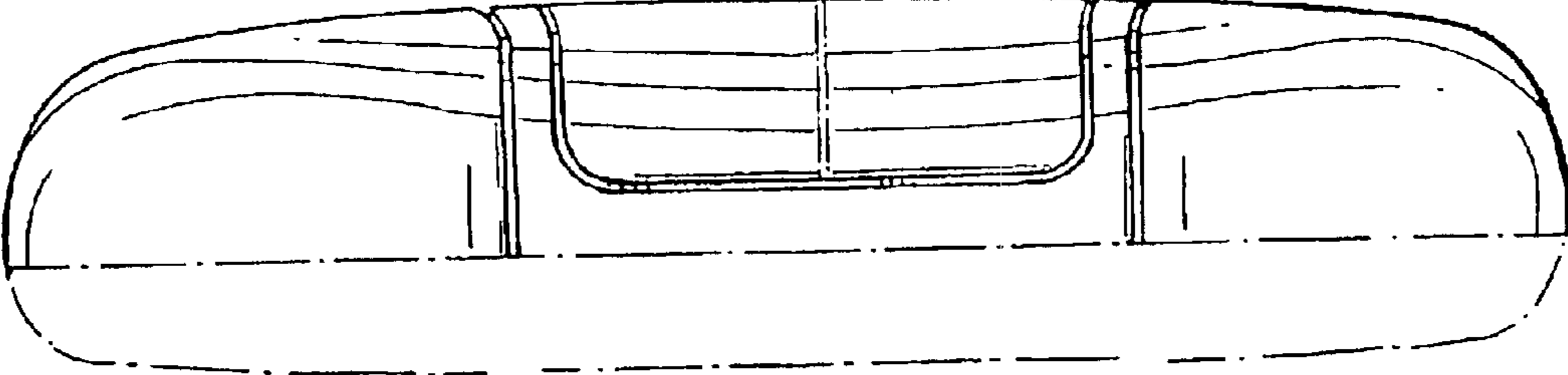


FIG. 3

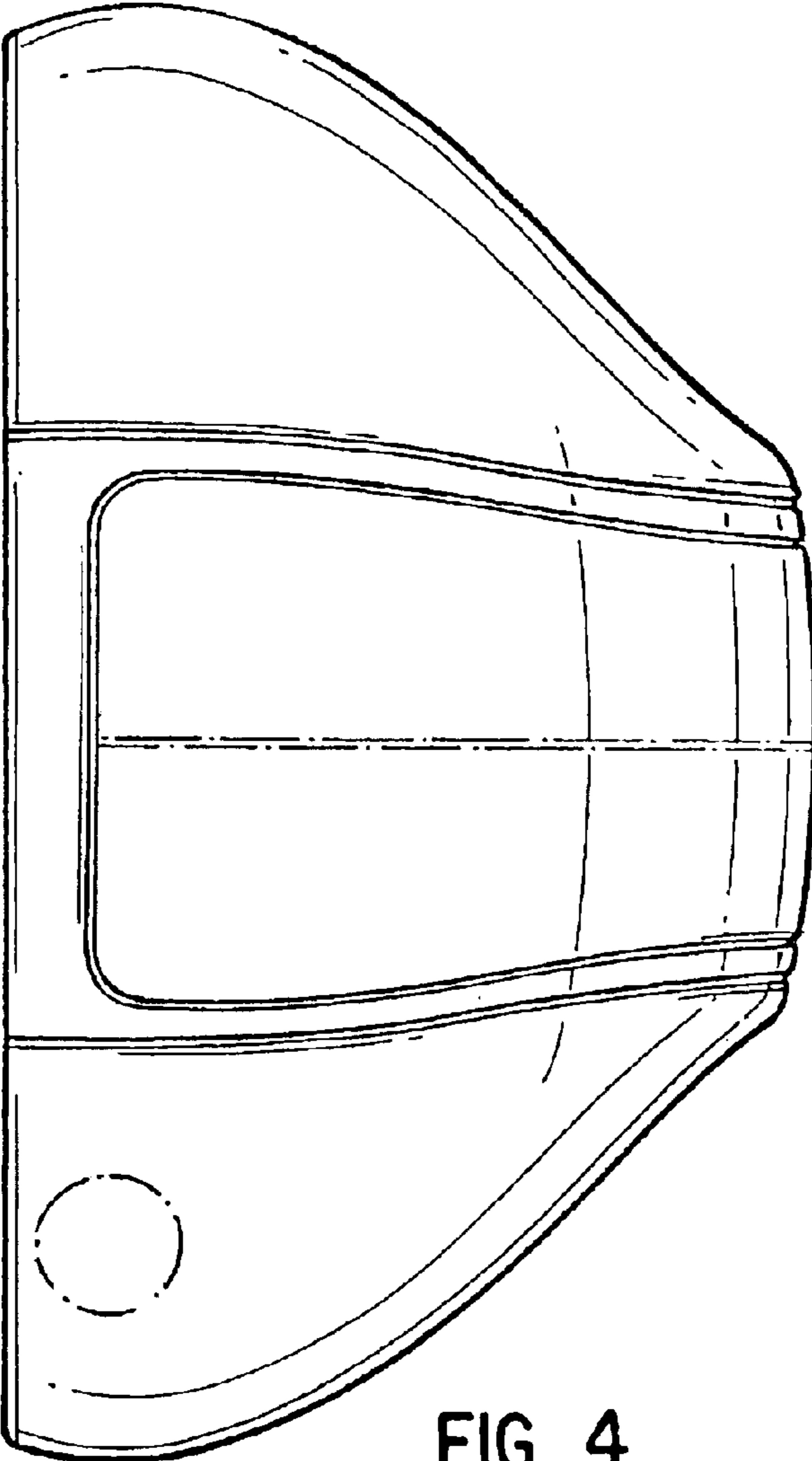


FIG. 4

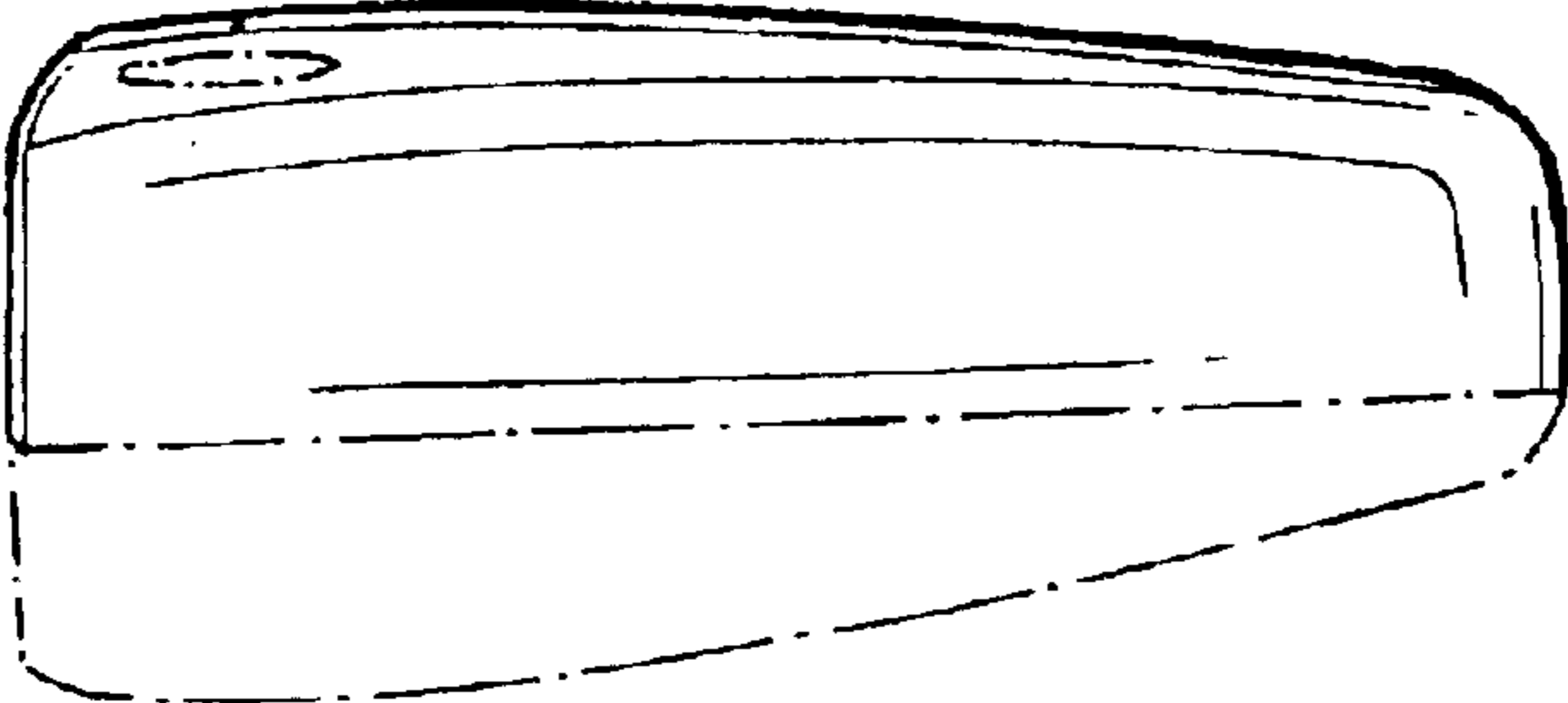


FIG. 5