

US00D508275S

(12) **United States Design Patent**
Burrows

(10) **Patent No.:** **US D508,275 S**
(45) **Date of Patent:** **** Aug. 9, 2005**

- (54) **WOOD TYPE HEAD FOR A GOLF CLUB**
- (75) Inventor: **Bruce D. Burrows**, Santa Clarita, CA (US)
- (73) Assignee: **Burrows Golf, LLC**, Valencia, CA (US)
- (**) Term: **14 Years**

- D385,003 S 10/1997 Burrows
- D390,294 S 2/1998 Burrows
- D390,295 S 2/1998 Burrows
- D392,354 S 3/1998 Burrows
- D397,749 S 9/1998 Burrows
- D401,299 S 11/1998 Burrows
- 5,851,159 A 12/1998 Burrows
- D413,642 S 9/1999 Burrows
- D413,953 S 9/1999 Burrows
- 6,422,951 B1 7/2002 Burrows

- (21) Appl. No.: **29/206,643**
- (22) Filed: **Jun. 1, 2004**

* cited by examiner

Primary Examiner—Mitchell Siegel
(74) *Attorney, Agent, or Firm*—Kelly Lowry & Kelley, LLP

Related U.S. Application Data

- (62) Division of application No. 29/174,046, filed on Jan. 10, 2003, now Pat. No. Des. 490,870.
- (51) **LOC (8) Cl.** **21-02**
- (52) **U.S. Cl.** **D21/752**
- (58) **Field of Search** D21/733, 752;
473/324–331, 343–346

(57) **CLAIM**

The ornamental design for a wood type head for a golf club, as shown and described.

DESCRIPTION

FIG. 1 is a perspective view showing the bottom, front and toe end sides of a wood type head for a golf club embodying the new design;

FIG. 2 is a front elevational view thereof;

FIG. 3 is a toe end elevational view thereof;

FIG. 4 is a heel end elevational view thereof;

FIG. 5 is a rear elevational view thereof;

FIG. 6 is a top plan view thereof;

FIG. 7 is a bottom plan view thereof; and,

FIG. 8 is a sectional view taken generally on the line 8—8 of FIG. 3.

The broken line showings of a fragmented golf club shaft and a faceplate groove pattern are for illustrative purposes only and form no part of the claimed design.

(56) **References Cited**

U.S. PATENT DOCUMENTS

- 3,300,241 A * 1/1967 Eberwein et al. 294/19.2
- 3,374,027 A * 3/1968 Jacobs 294/19.2
- D231,625 S * 5/1974 Werner D21/745
- D257,872 S * 1/1981 MacDougall D21/744
- D257,873 S * 1/1981 MacDougall D21/745
- 5,273,283 A * 12/1993 Bowland 473/338
- D354,103 S * 1/1995 Allen D21/752
- D356,356 S * 3/1995 Jacobs D21/744
- D364,666 S * 11/1995 Nagy D21/743
- D366,919 S * 2/1996 Jacobs D21/745
- D368,752 S * 4/1996 Patten D21/745

1 Claim, 4 Drawing Sheets

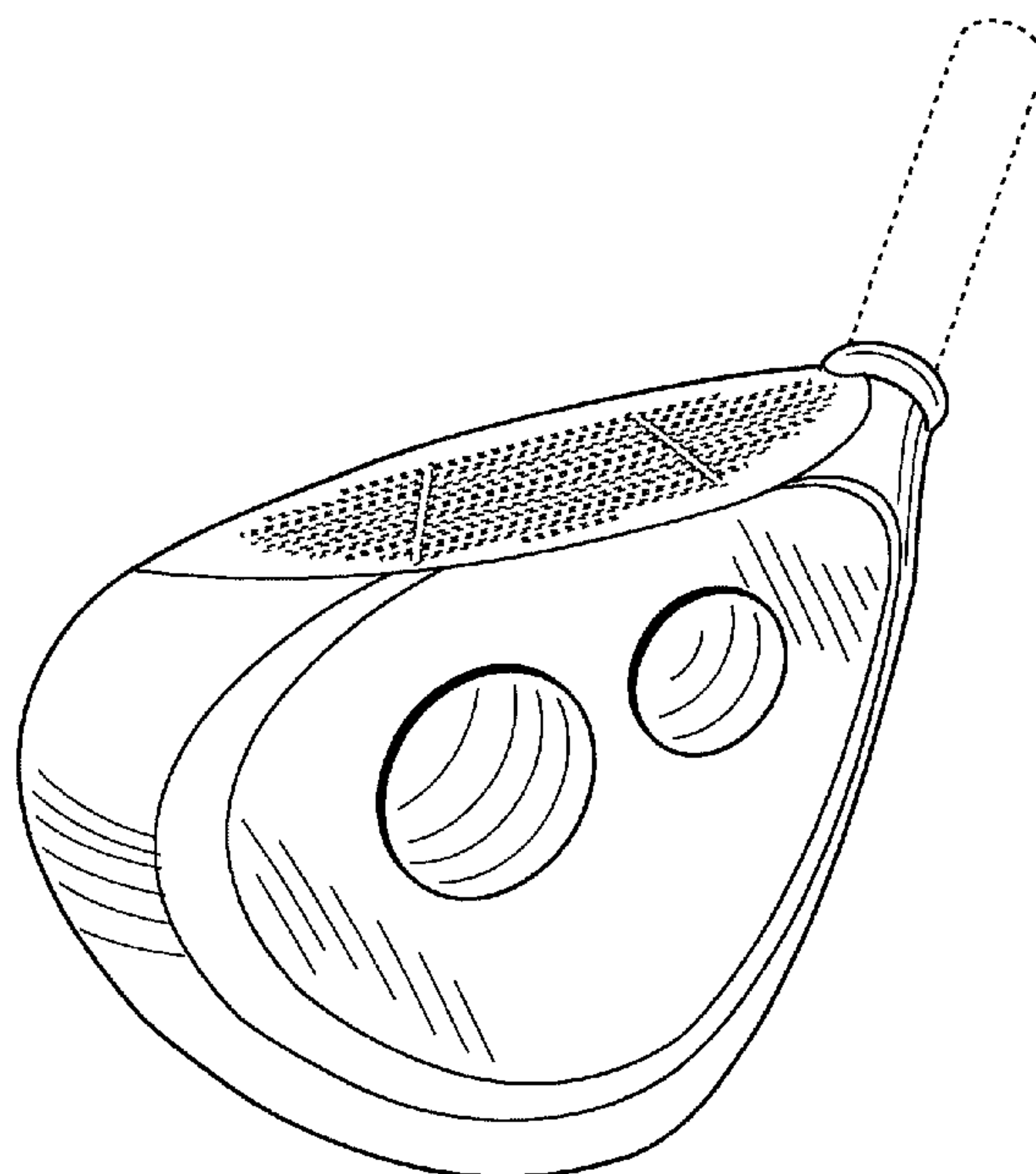


FIG. 1

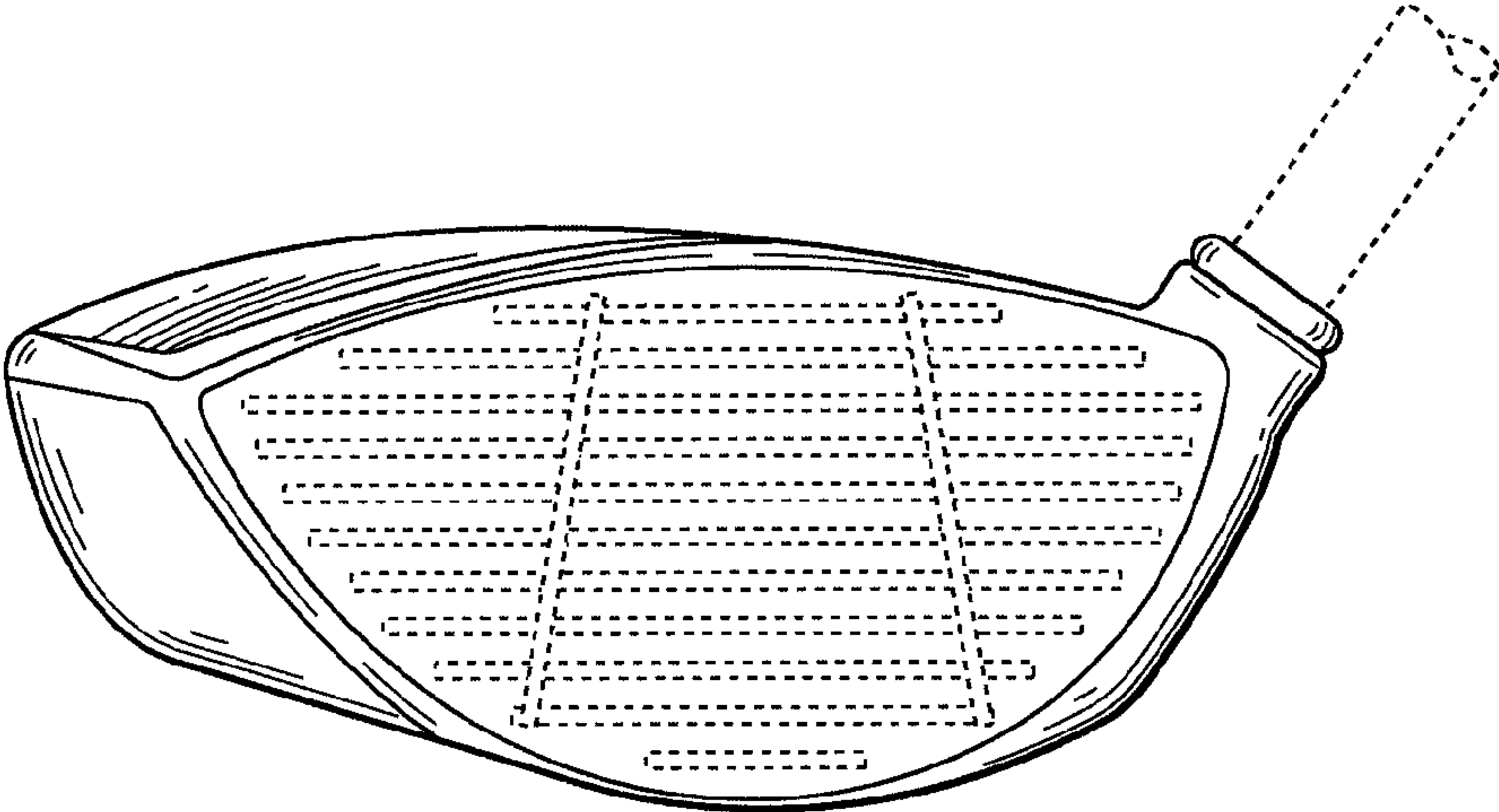
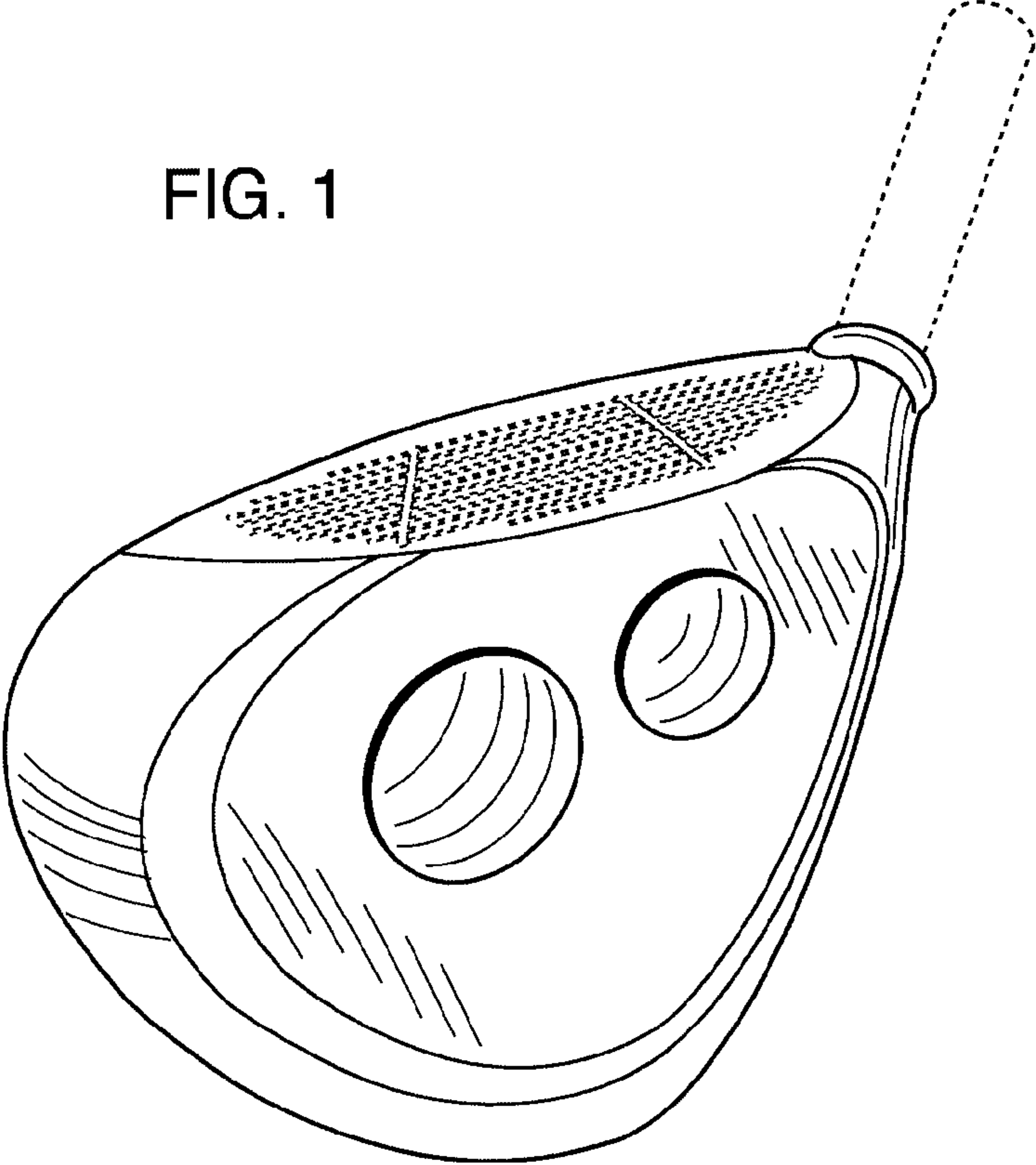
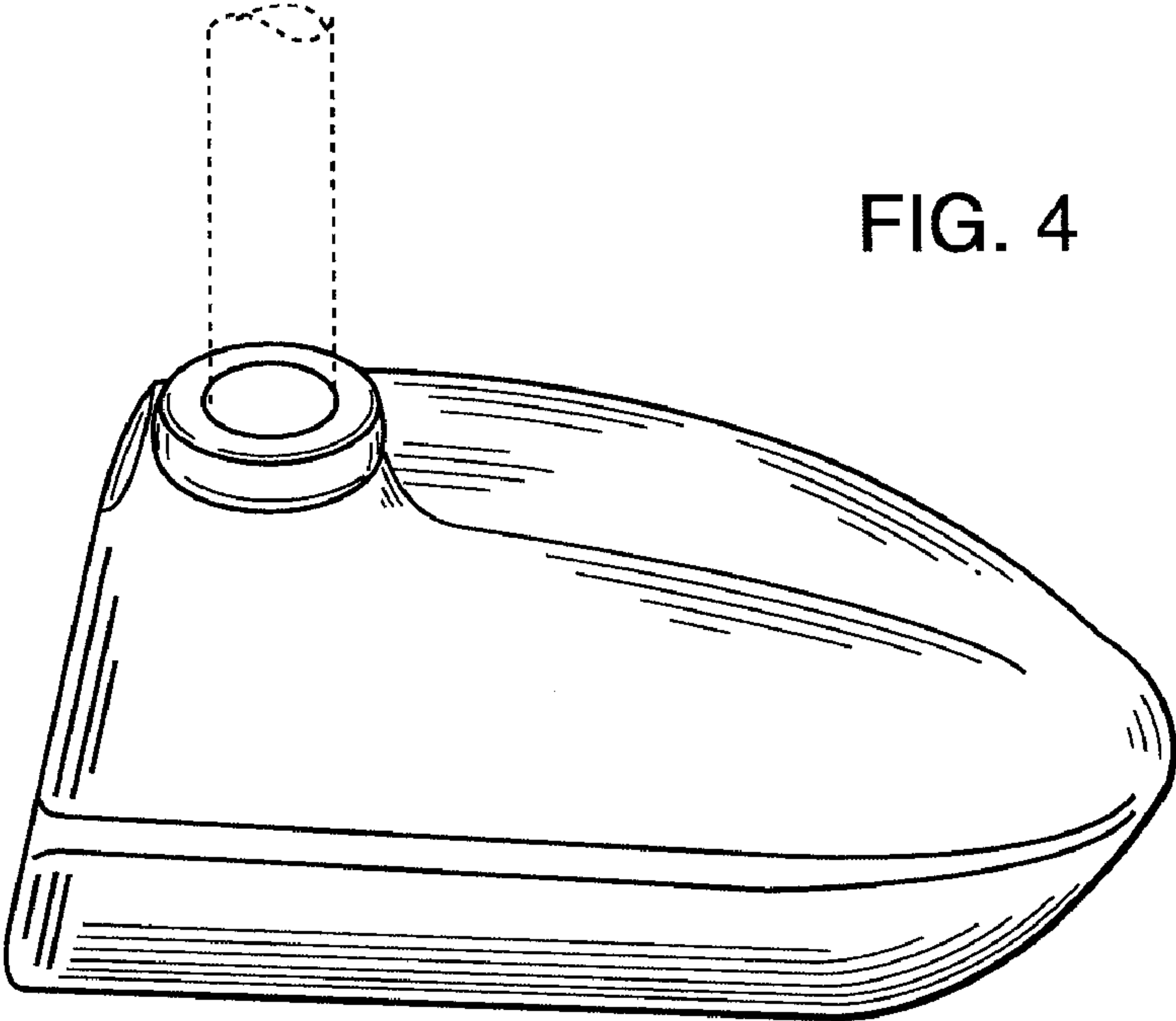
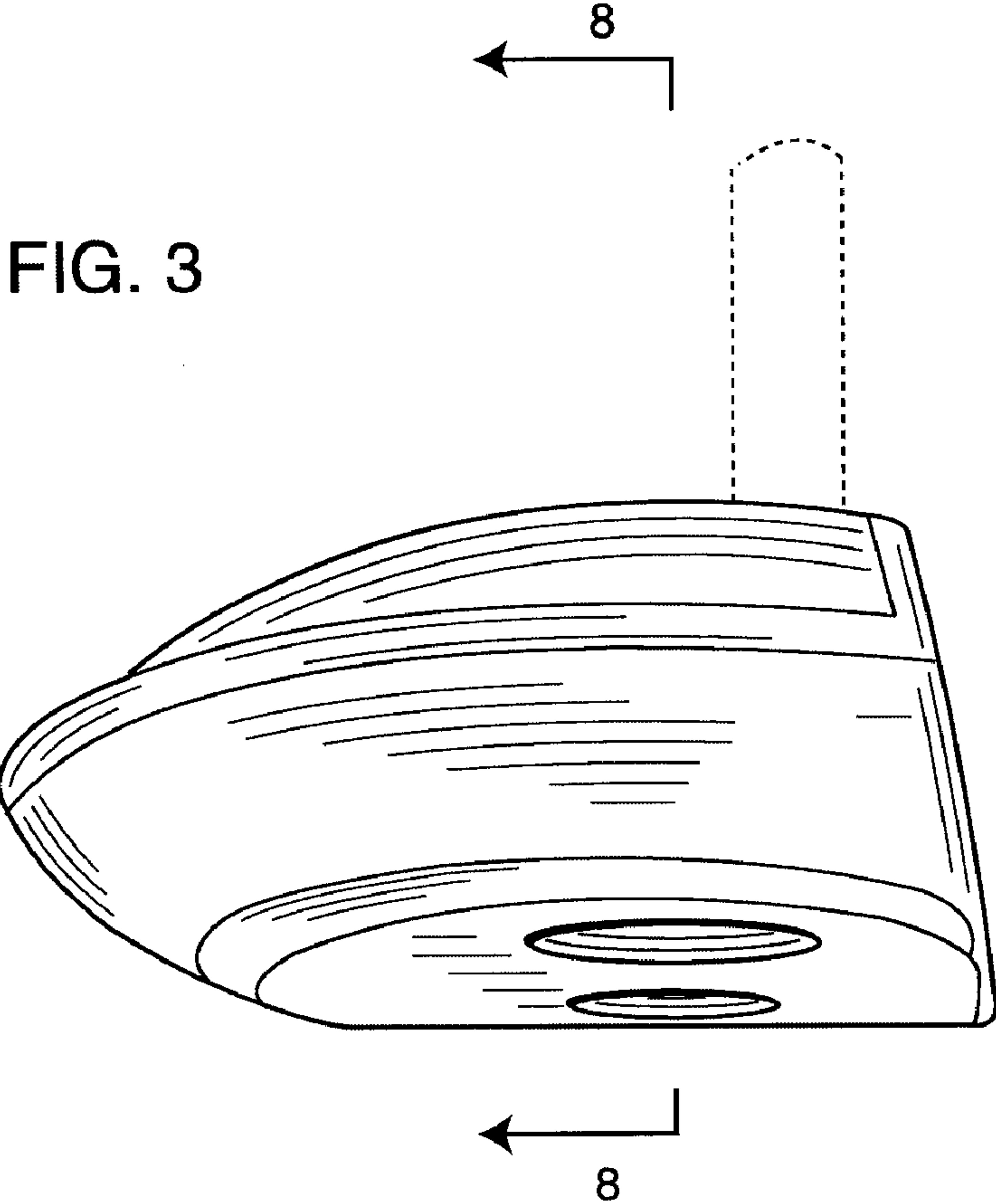


FIG. 2



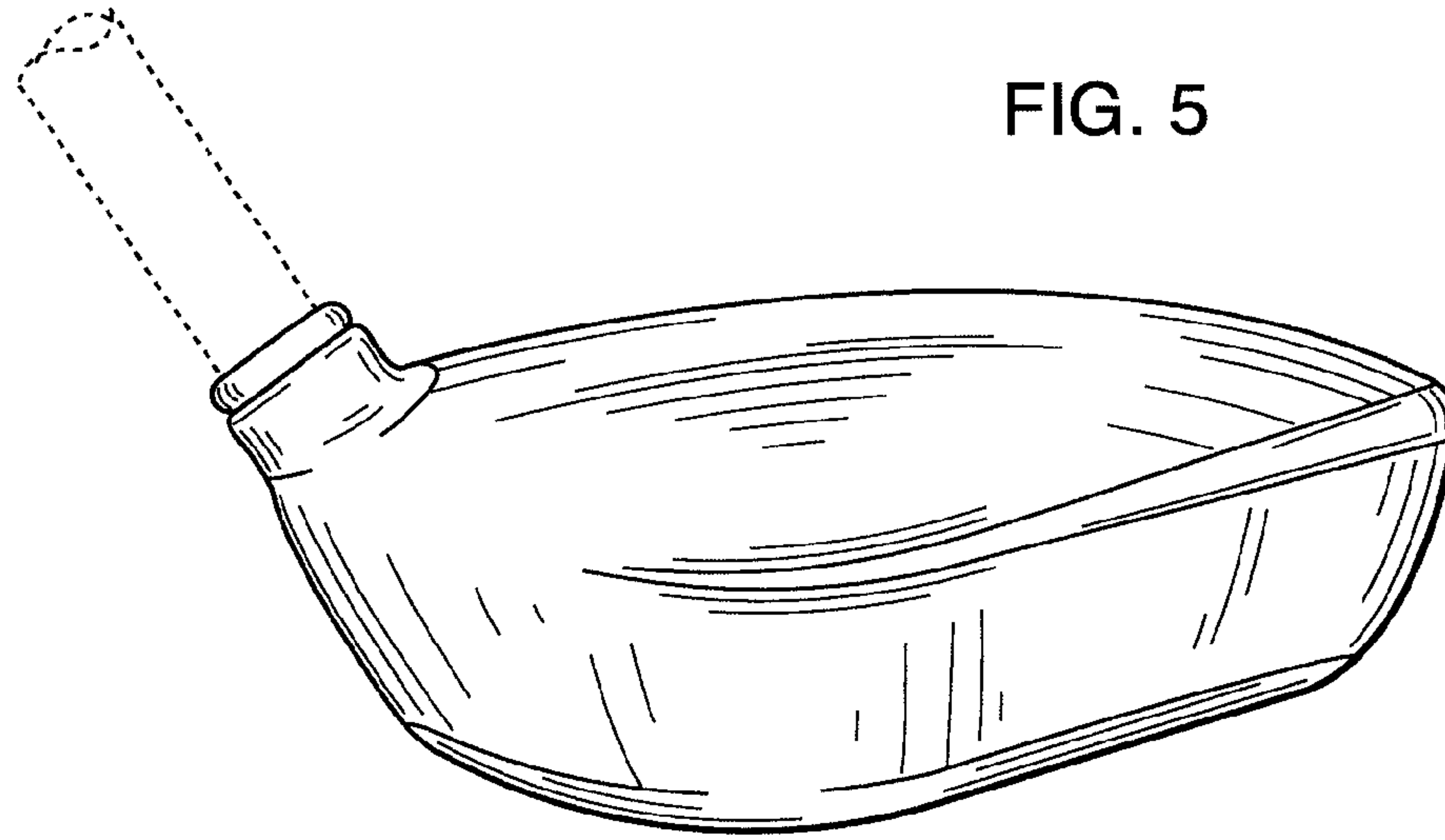


FIG. 5

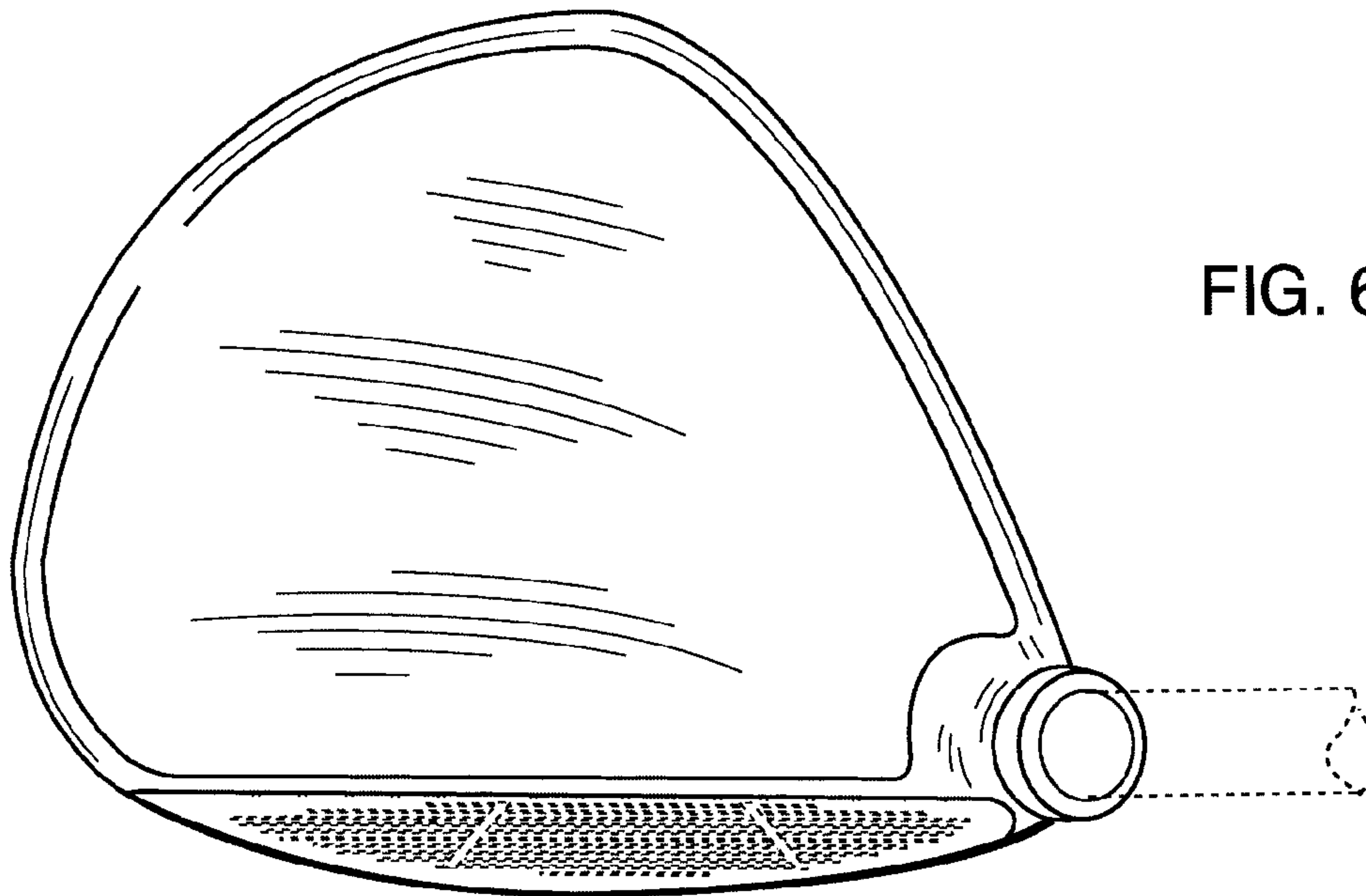


FIG. 6

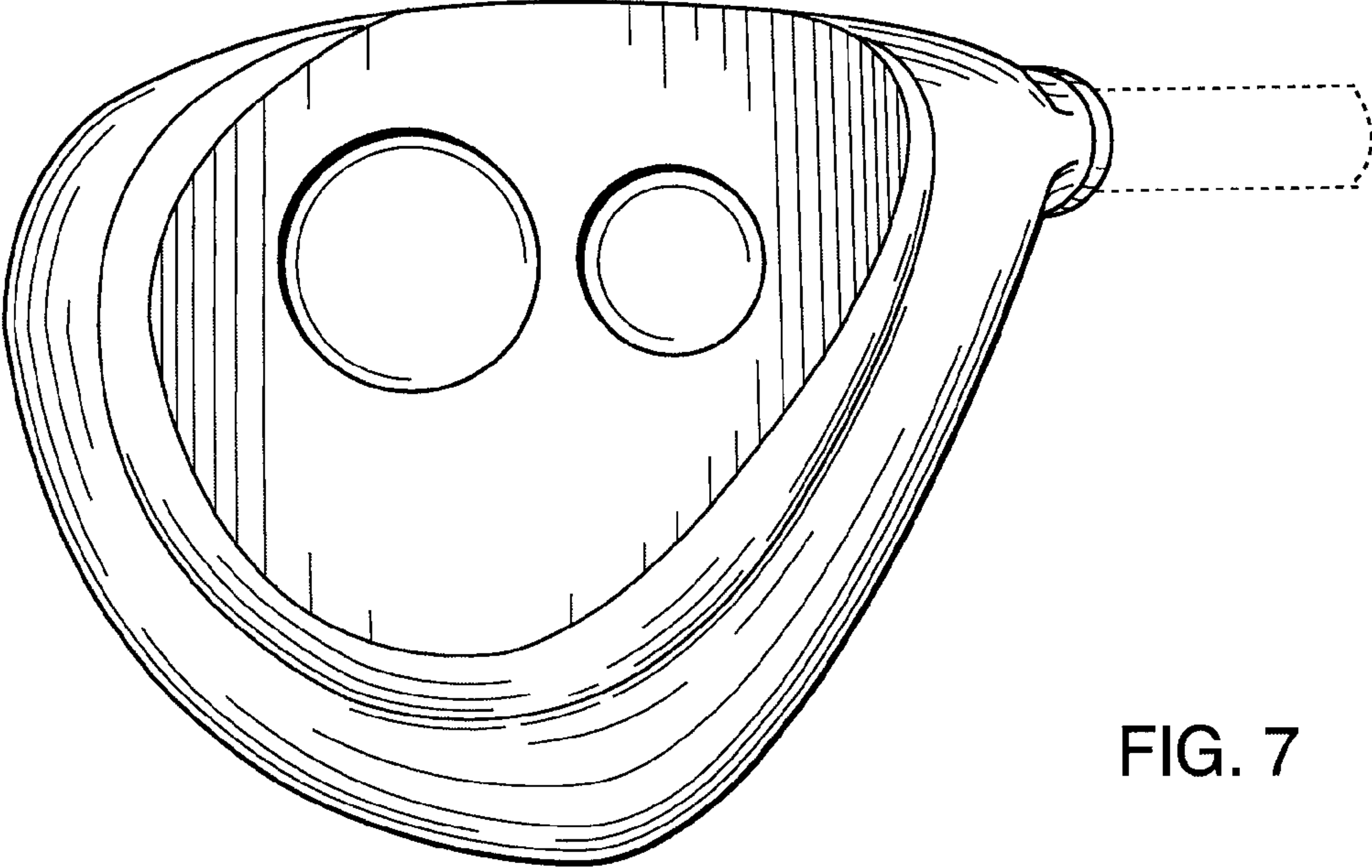


FIG. 7

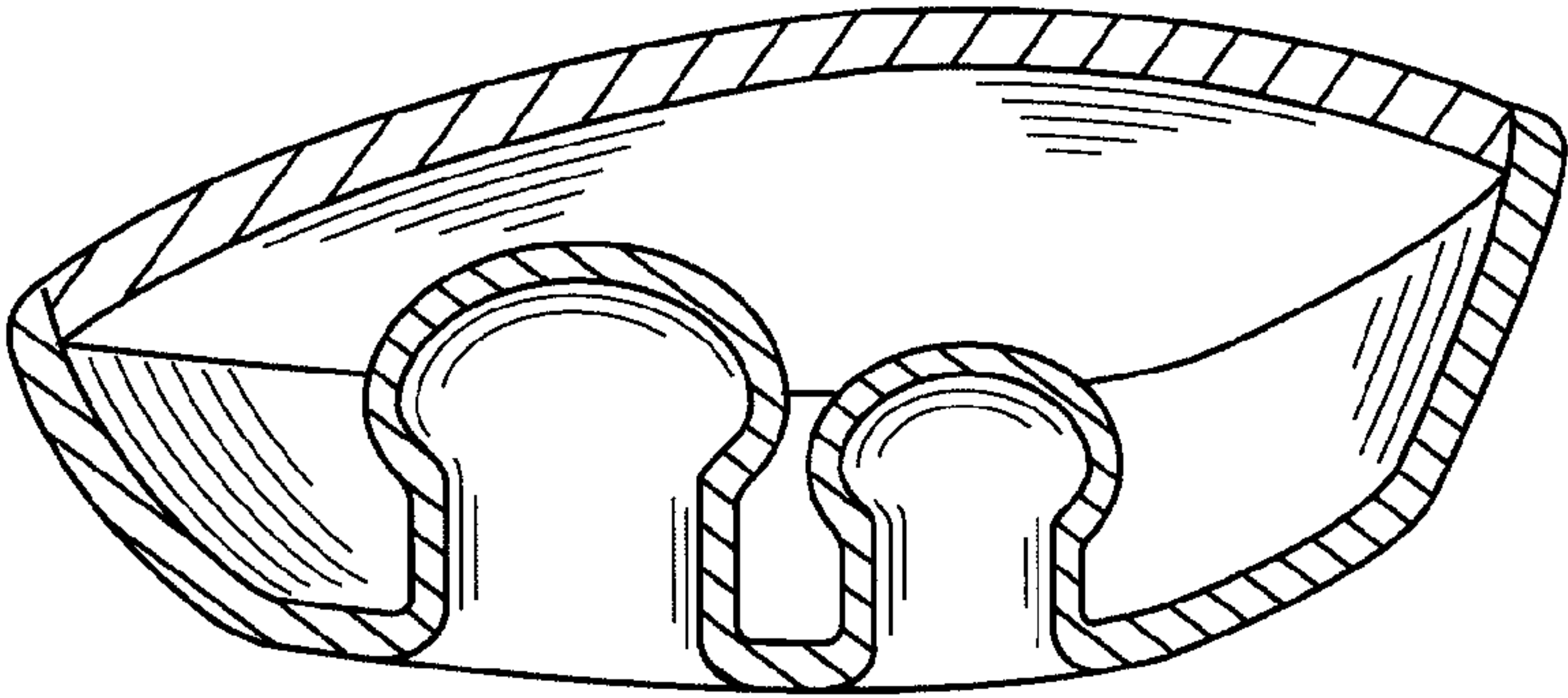


FIG. 8