

US00D508267S

(12) **United States Design Patent**
Maddox

(10) **Patent No.:** **US D508,267 S**

(45) **Date of Patent:** **** Aug. 9, 2005**

(54) **HOUSING FOR DISPENSING MAGAZINES**

D432,579 S * 10/2000 Gollob D20/6
D443,306 S * 6/2001 Brent, III D20/6

(75) **Inventor:** **Mark D. Maddox**, Tallahassee, FL (US)

* cited by examiner

(73) **Assignee:** **Homes & Land Affiliates, LLC**, Tallahassee, FL (US)

Primary Examiner—Robert M. Spear
(74) *Attorney, Agent, or Firm*—Allen, Dyer, Doppelt, Milbrath & Gilchrist, P.A.

(**) **Term:** **14 Years**

(57) **CLAIM**

(21) **Appl. No.:** **29/201,608**

The ornamental design for a housing for dispensing magazines, as shown and described.

(22) **Filed:** **Mar. 17, 2004**

DESCRIPTION

(51) **LOC (8) Cl.** **20-01**

(52) **U.S. Cl.** **D20/6**

(58) **Field of Search** D6/449, 450, 473-479, D6/571; D20/1-7, 99; 194/291, 350; 211/154, 155, 191, 194, 195, 213, 215

FIG. 1 is a perspective view of a housing for dispensing magazines showing my new design; FIG. 2 is a front elevational view thereof; FIG. 3 is a top plan view thereof; FIG. 4 is a side elevational view thereof, of which the opposing side is a mirror image; and, FIG. 5 is a rear elevational view thereof.

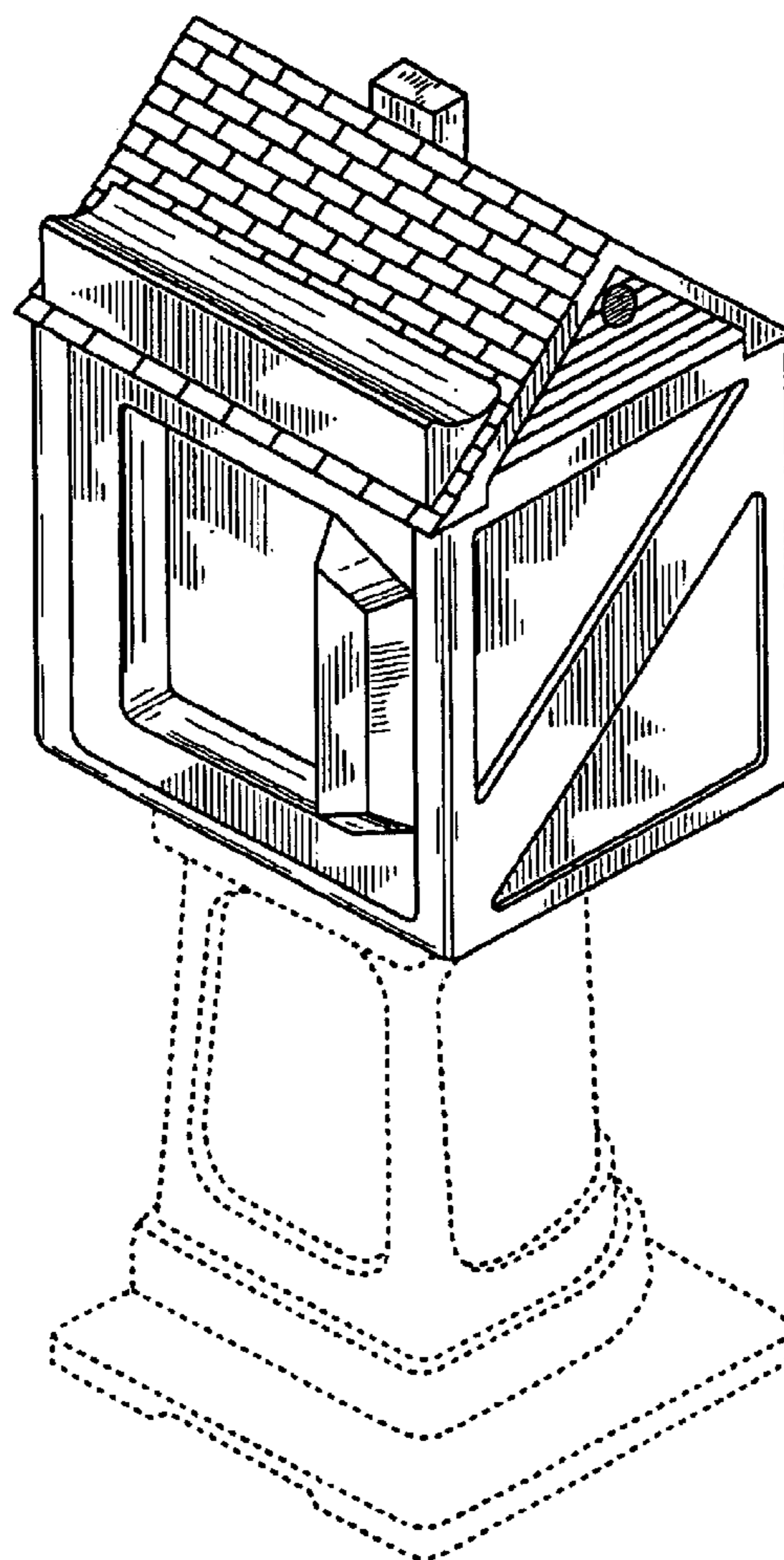
(56) **References Cited**

U.S. PATENT DOCUMENTS

D75,739 S * 7/1928 Little D20/38
D266,773 S * 11/1982 Poirier D20/1
D361,684 S * 8/1995 Russell D6/512

The broken lines in the drawings represent environmental structure only and form no part of the claimed design.

1 Claim, 2 Drawing Sheets



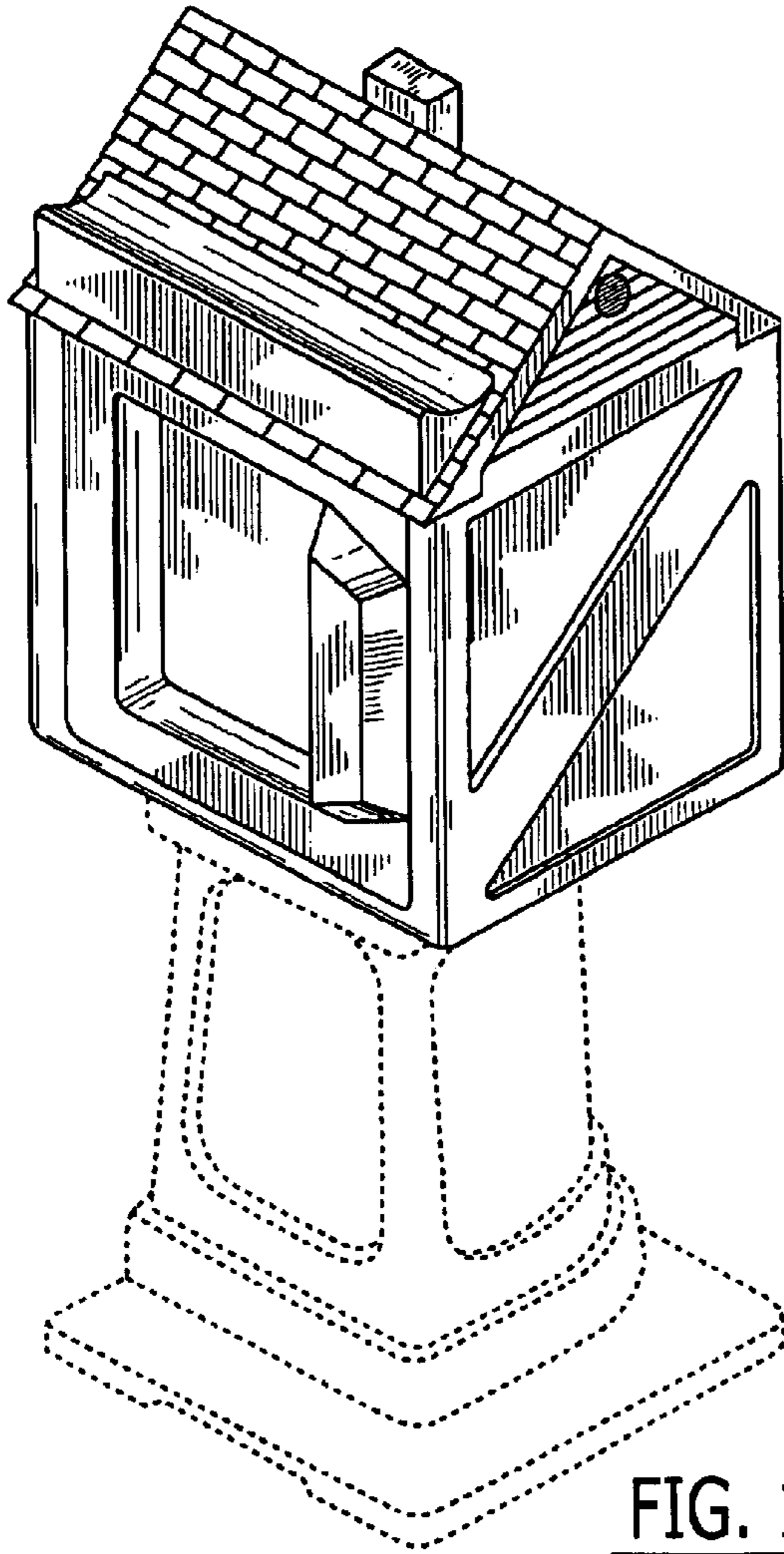


FIG. 1

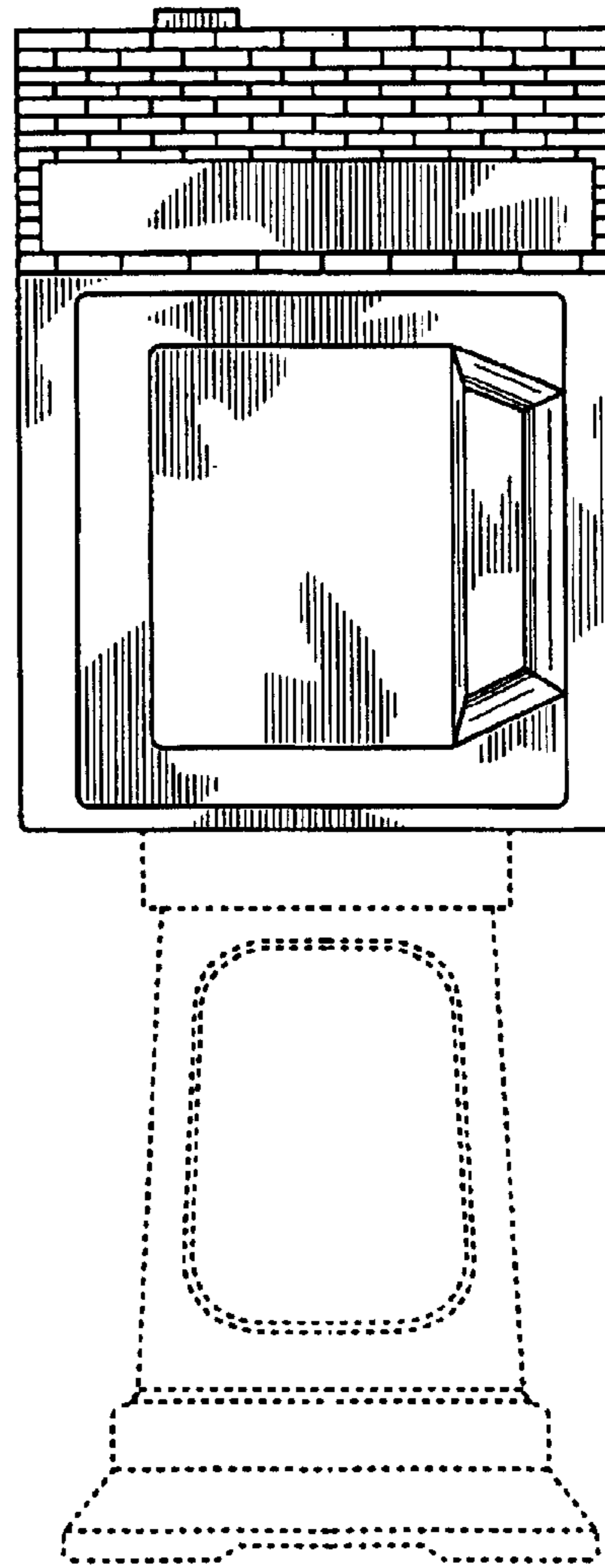


FIG. 2

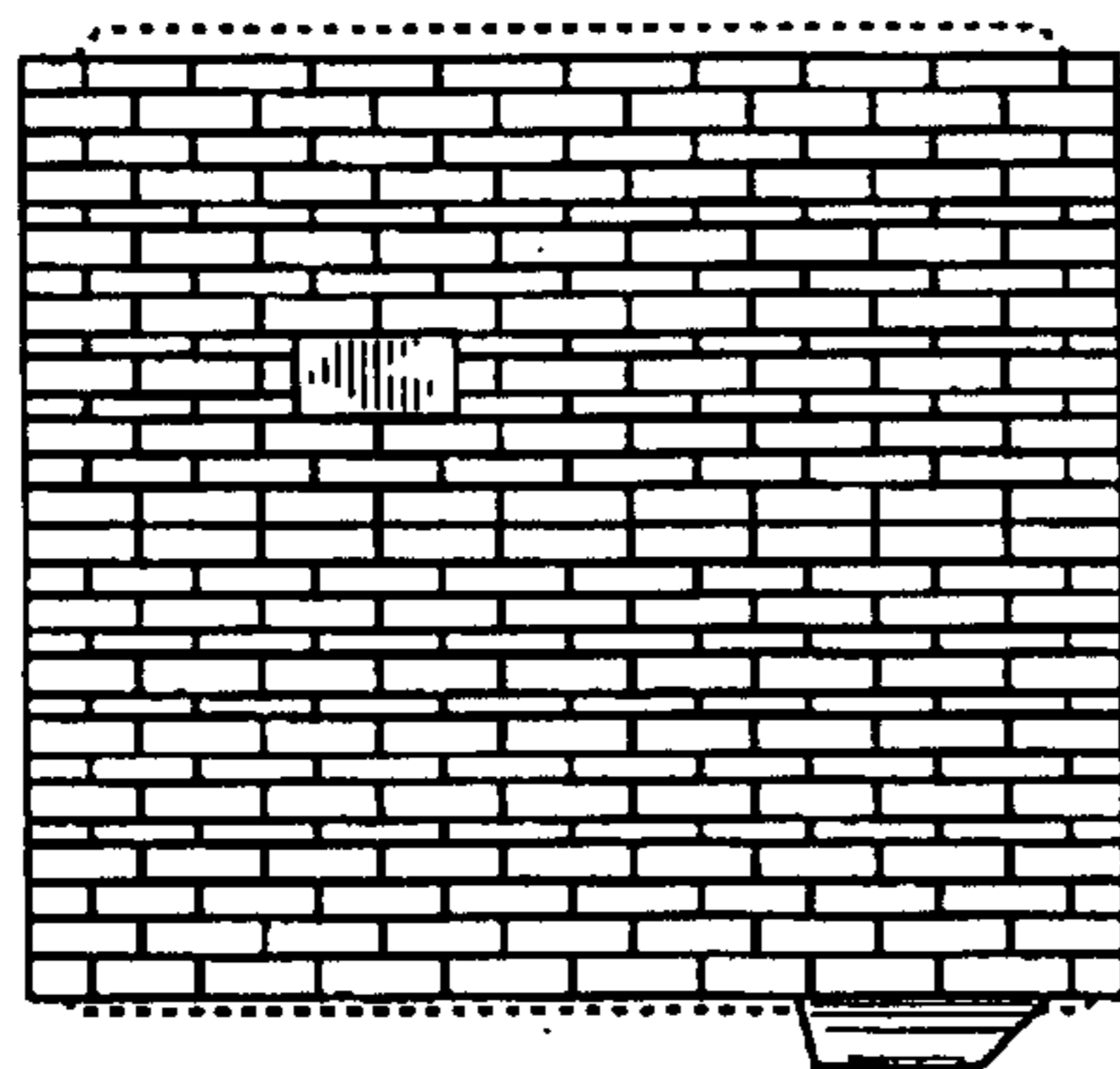


FIG. 3

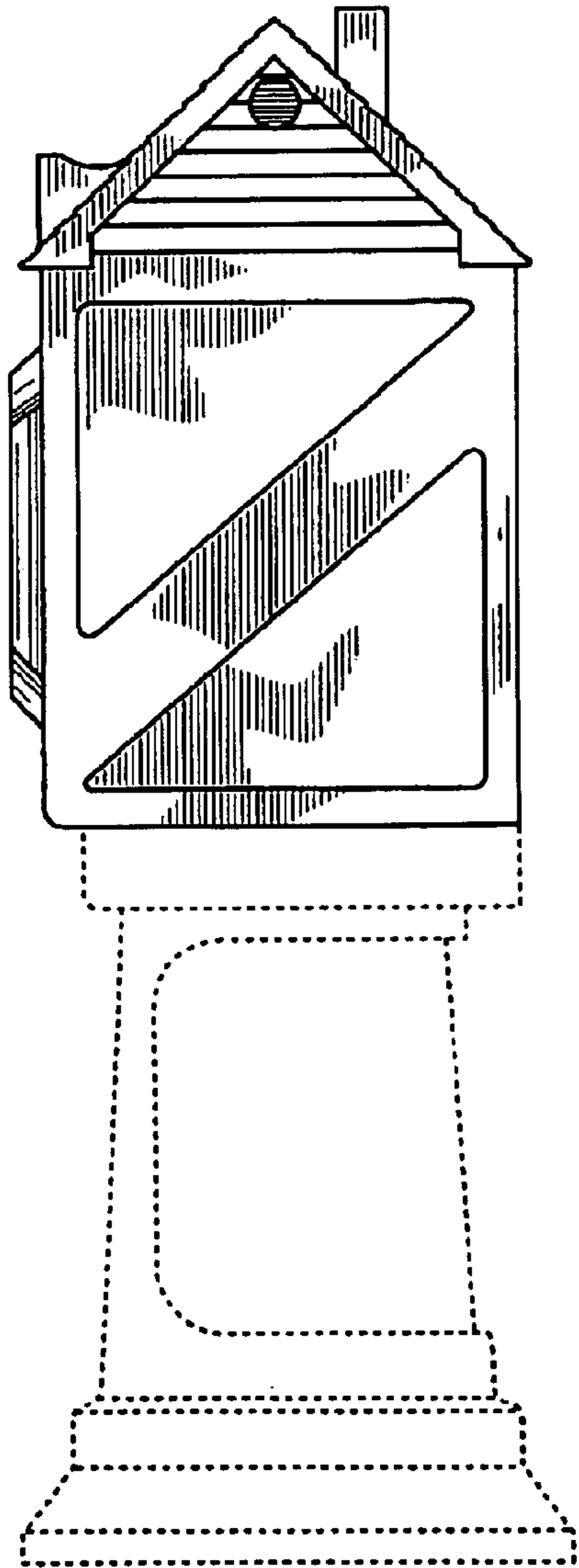


FIG. 4

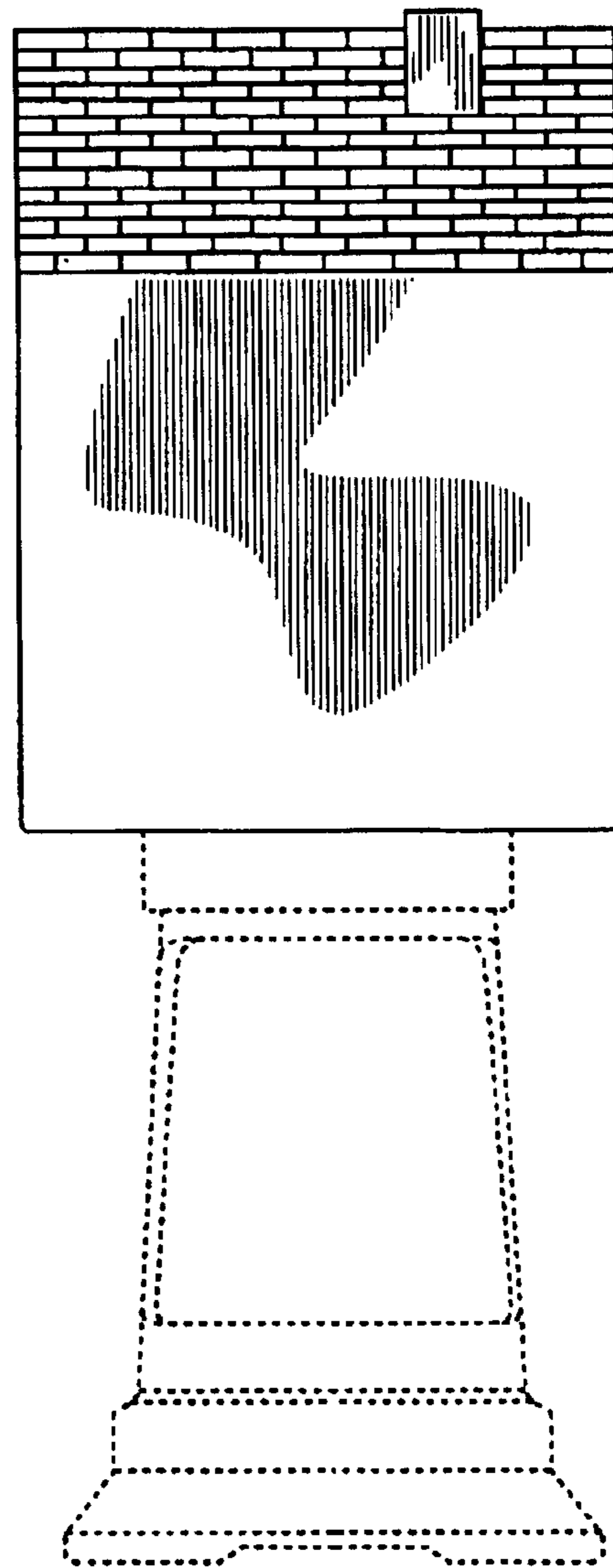


FIG. 5