

US00D508266S

(12) **United States Design Patent**  
**Hada**

(10) **Patent No.:** **US D508,266 S**  
(45) **Date of Patent:** **\*\* Aug. 9, 2005**

(54) **ELECTRIC PUNCH**  
(75) Inventor: **Hirotooshi Hada**, Osaka (JP)  
(73) Assignee: **Matsushita Electric Industrial Co., Ltd.**, Osaka (JP)

D373,793 S \* 9/1996 Herbst et al. .... D19/72  
5,771,768 A \* 6/1998 Malmstrom ..... 83/571  
6,047,623 A \* 4/2000 Whiteman et al. .... 83/618  
D437,345 S \* 2/2001 Reuter ..... D18/34  
6,782,786 B2 \* 8/2004 Hoshino ..... 83/620

(\*\*) Term: **14 Years**

**FOREIGN PATENT DOCUMENTS**  
JP D764531 6/1989  
JP D1162407 1/2003

(21) Appl. No.: **29/205,057**  
(22) Filed: **May 5, 2004**

\* cited by examiner

(30) **Foreign Application Priority Data**

Nov. 20, 2003 (JP) ..... 2003-034654

*Primary Examiner*—Martie K. Holtje  
(74) *Attorney, Agent, or Firm*—Brinks Hofer Gilson & Lione

(51) **LOC (8) Cl.** ..... **19-02**  
(52) **U.S. Cl.** ..... **D19/72**  
(58) **Field of Search** ..... D8/98, 102–104,  
D8/105; D15/127, 128, 132; D18/34; D19/65,  
72, 73, 95, 99, 100; 83/372, 167, 467.1,  
526, 550, 571, 618, 620, 628, 684–688,  
698.91

(57) **CLAIM**

The ornamental design for an electric punch, as shown and described.

(56) **References Cited**

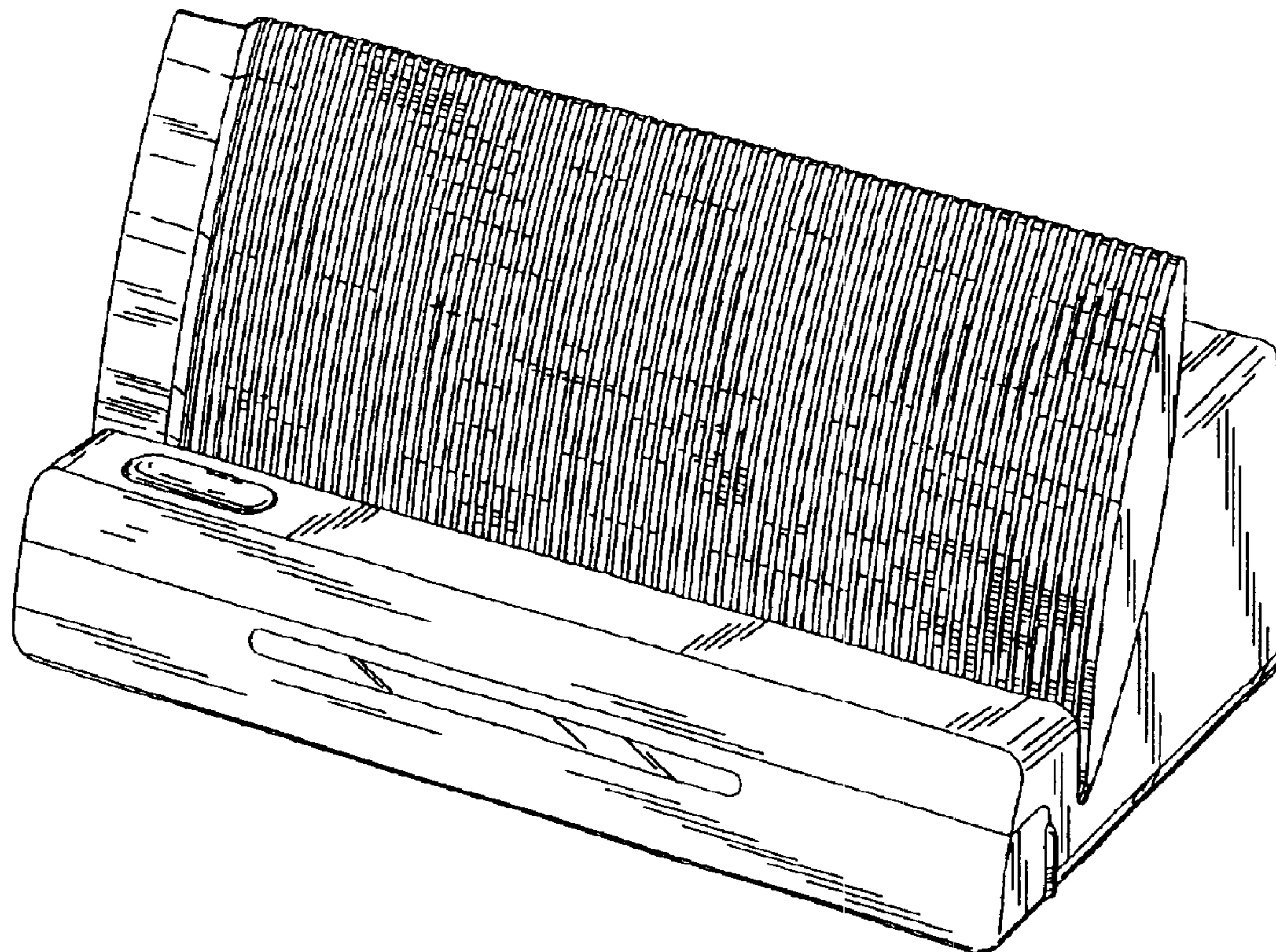
**U.S. PATENT DOCUMENTS**

4,000,673 A \* 1/1977 Lyon ..... 83/526  
4,421,000 A \* 12/1983 Murphy ..... 83/372  
D306,551 S \* 3/1990 Yuen ..... D8/104  
D308,386 S \* 6/1990 Munson et al. .... D15/127  
4,987,811 A \* 1/1991 Ikarashi et al. .... 83/372

**DESCRIPTION**

FIG. 1 is a top perspective view of an electric punch of the present invention;  
FIG. 2 is a front view thereof;  
FIG. 3 is a top view thereof;  
FIG. 4 is a first side view thereof;  
FIG. 5 is a second side view thereof;  
FIG. 6 is a rear view thereof; and,  
FIG. 7 is a bottom view thereof.

**1 Claim, 4 Drawing Sheets**



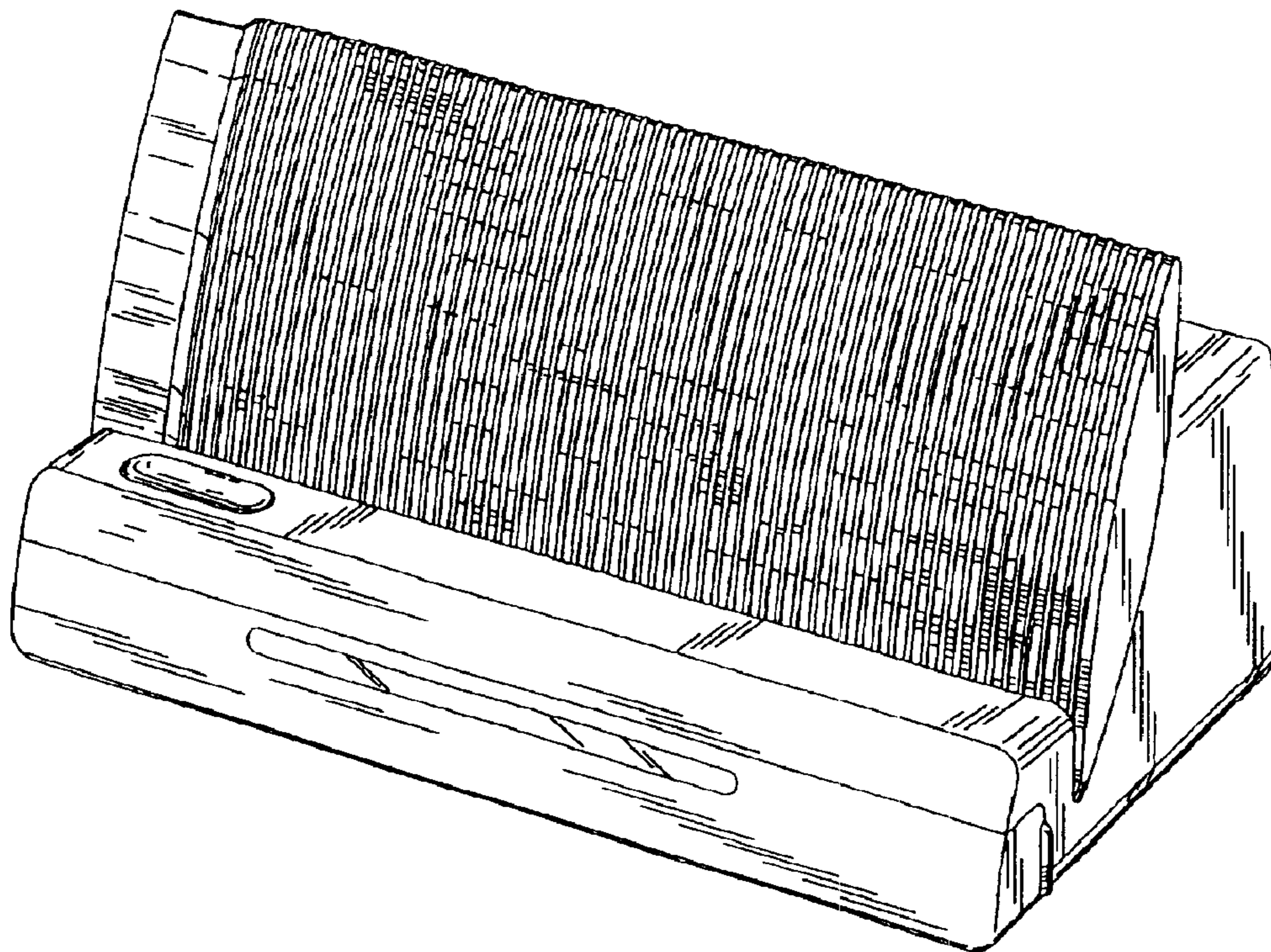


FIG. 1

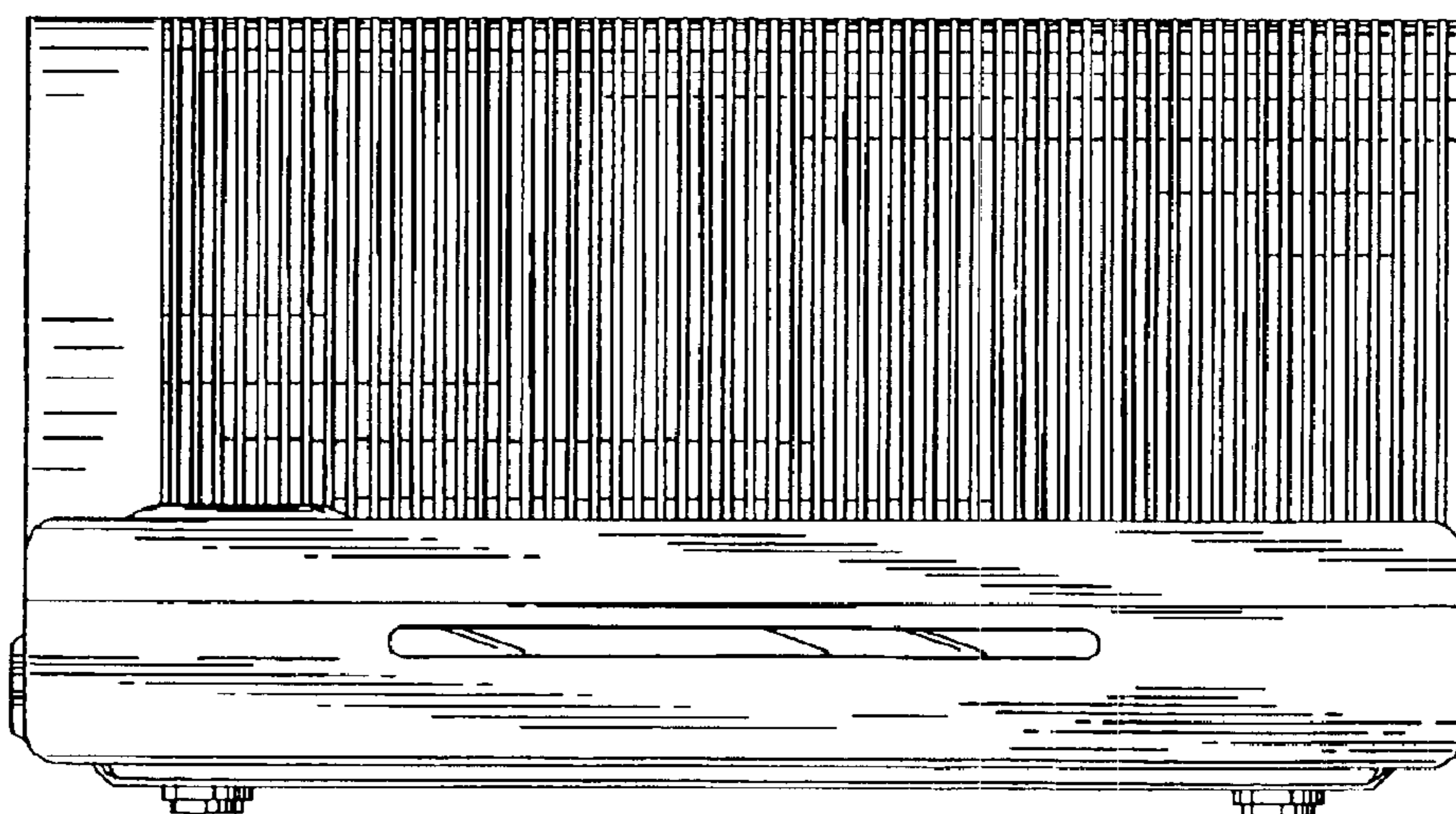


FIG. 2

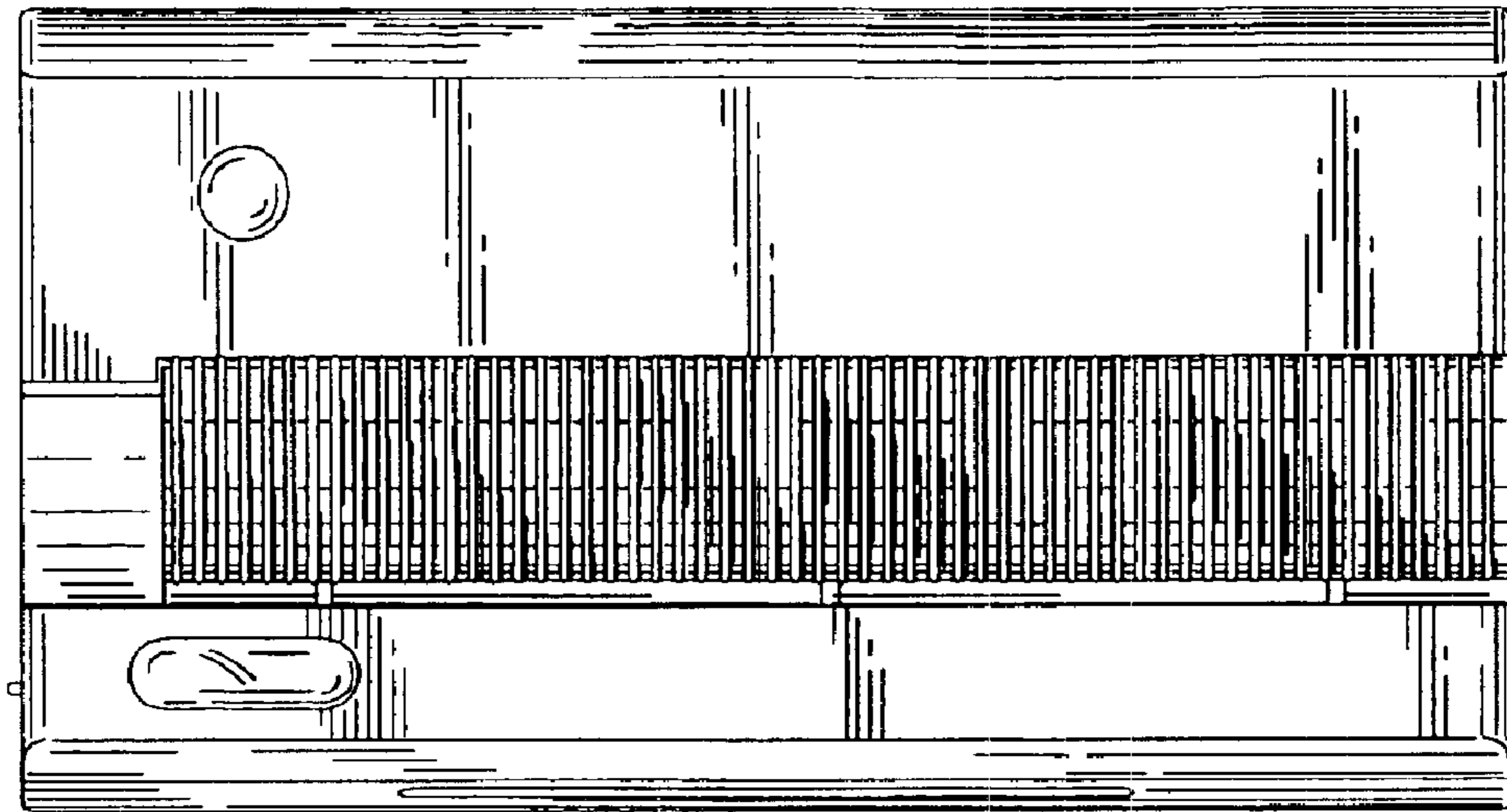


FIG.3

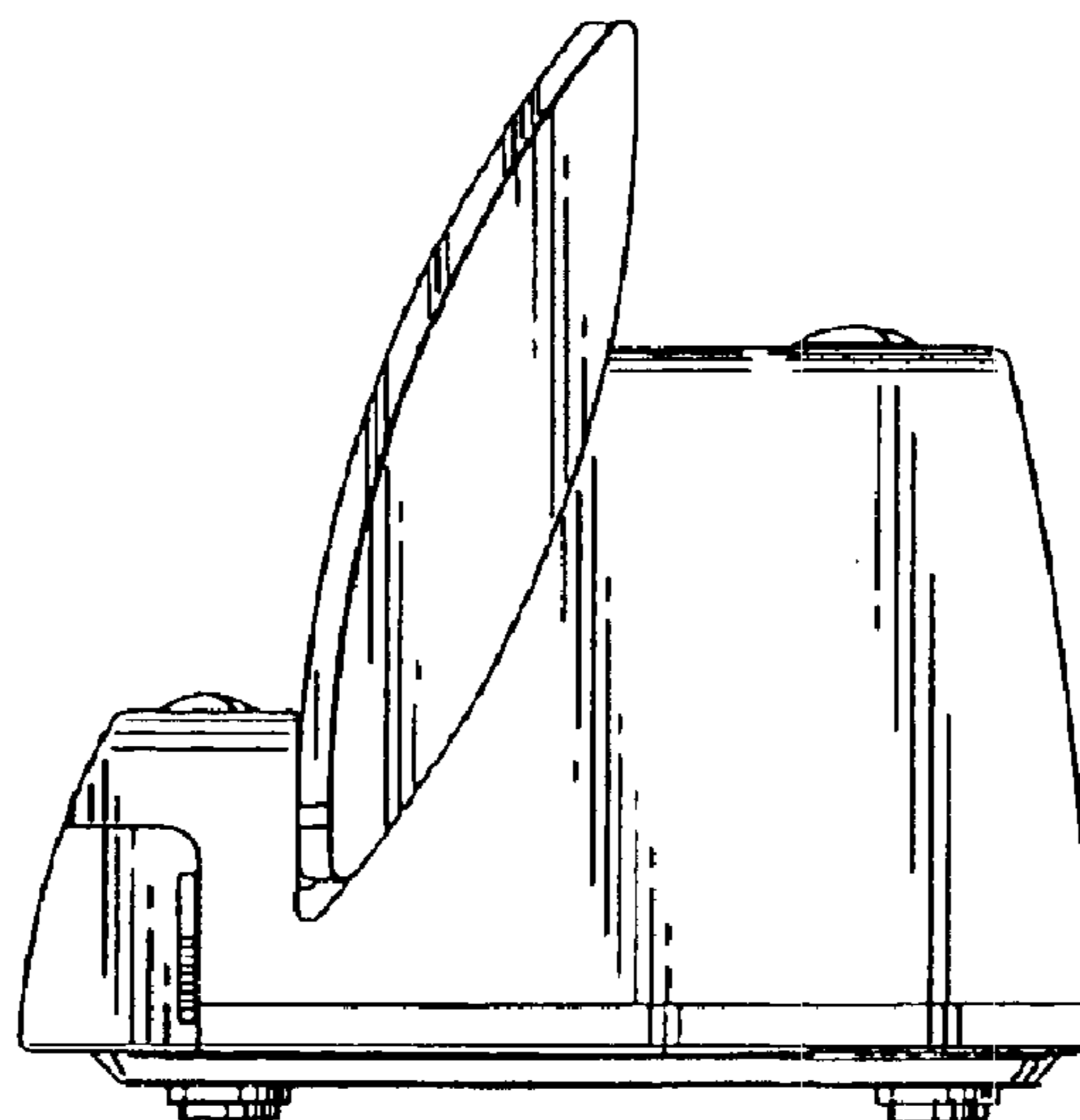


FIG.4



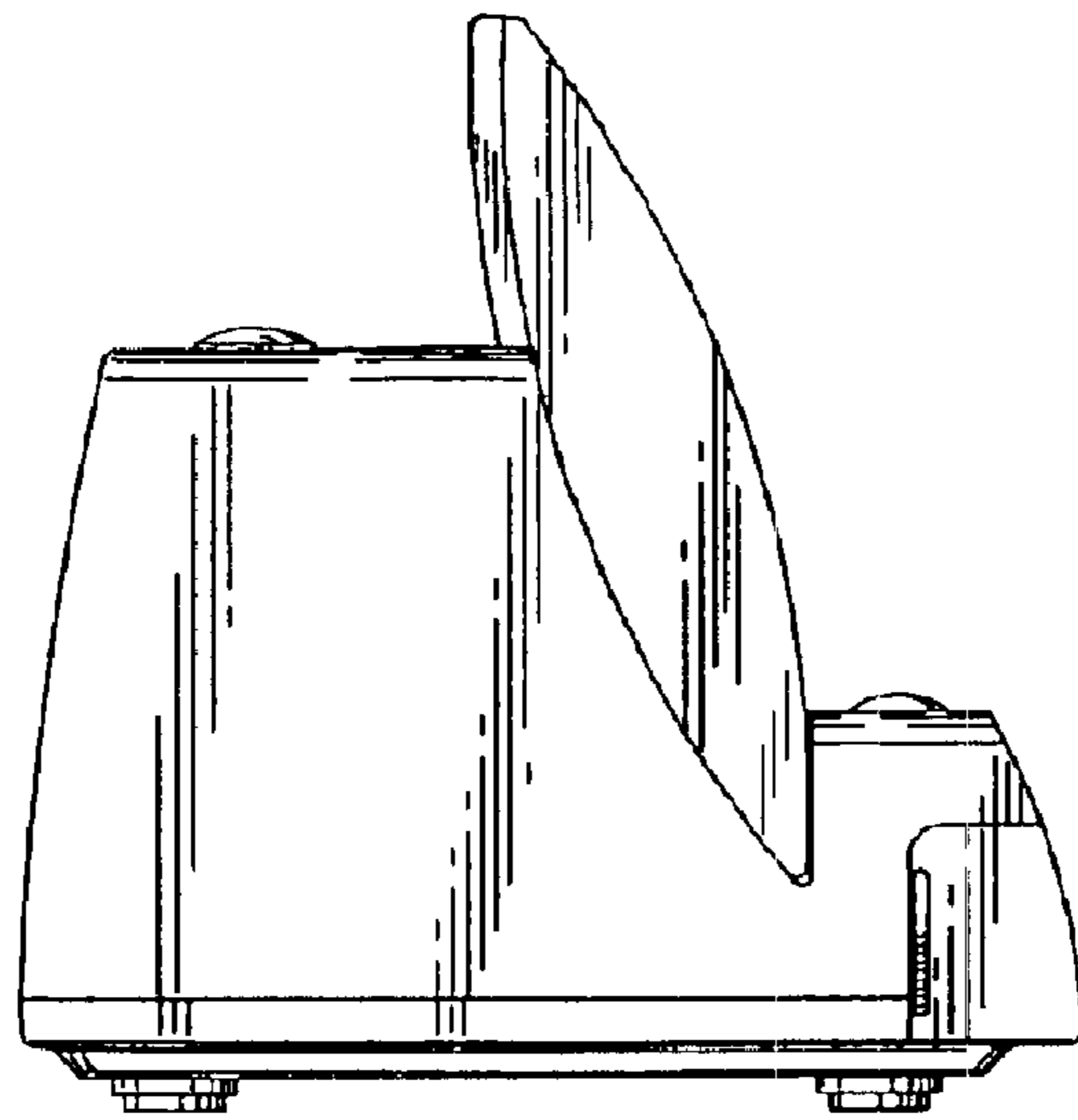


FIG.5

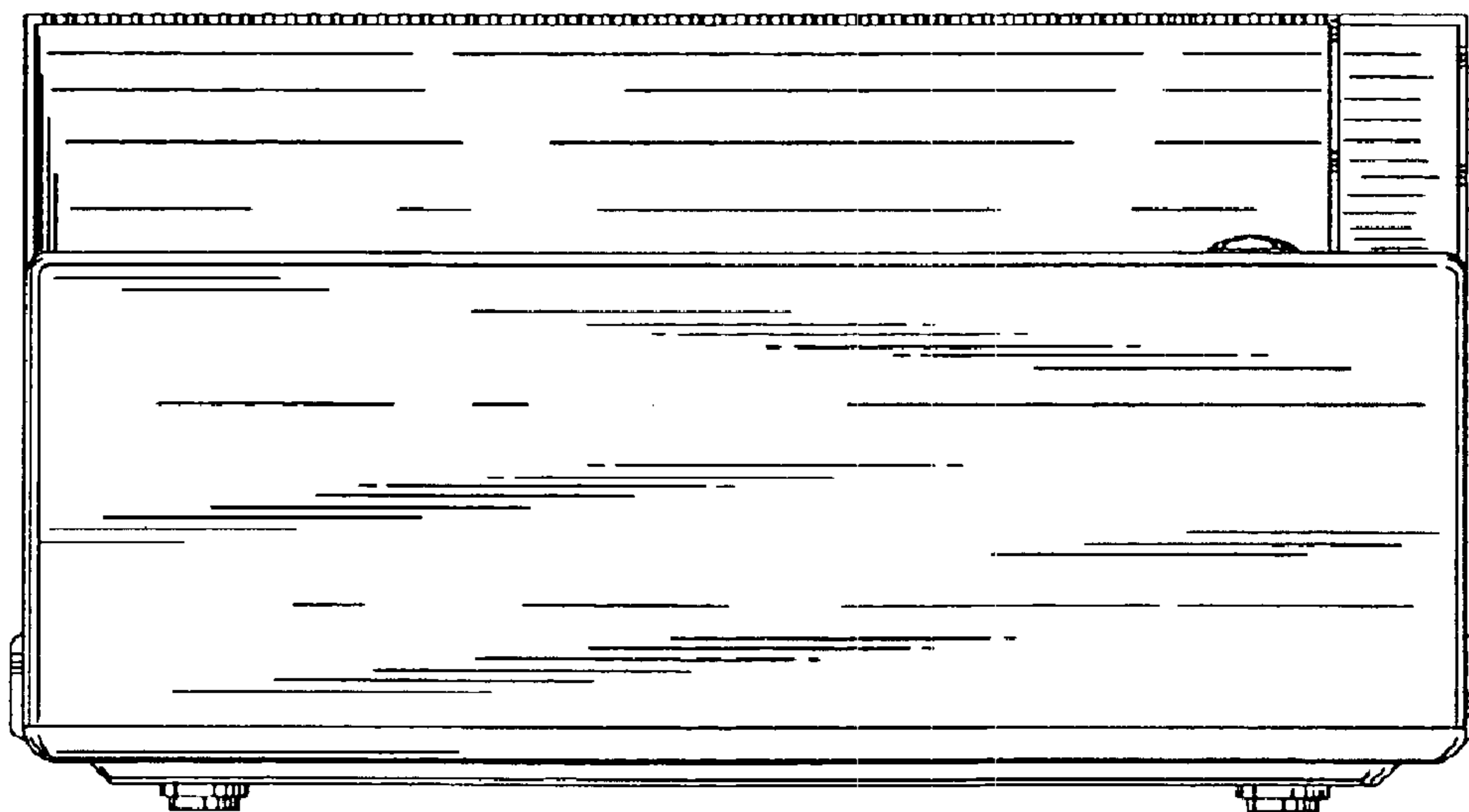


FIG.6

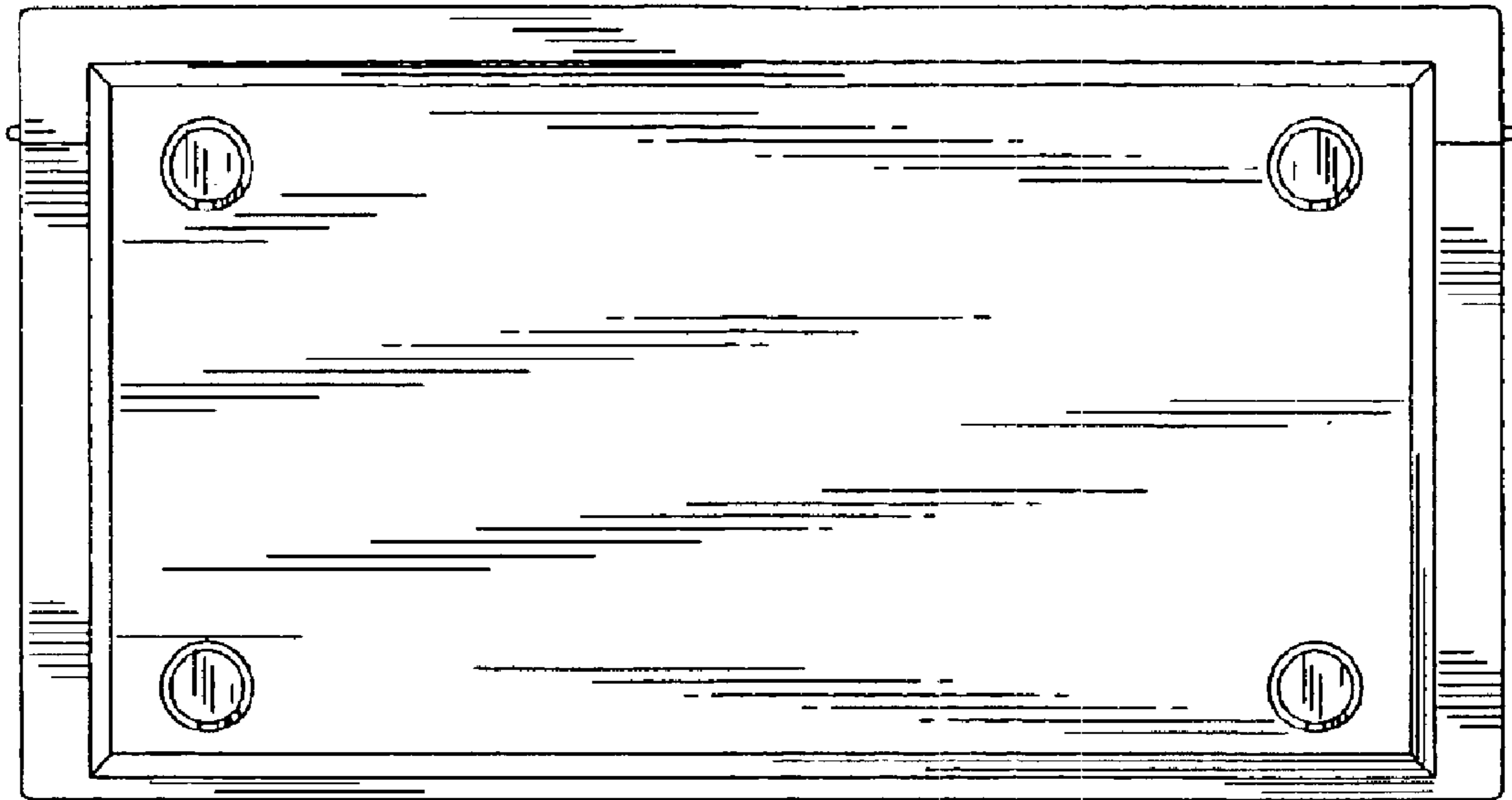


FIG. 7

UNITED STATES PATENT AND TRADEMARK OFFICE  
**CERTIFICATE OF CORRECTION**

PATENT NO. : Des. 508,266 S  
APPLICATION NO. : 29/205057  
DATED : August 9, 2005  
INVENTOR(S) : Hirotooshi Hada

Page 1 of 1

It is certified that error appears in the above-identified patent and that said Letters Patent is hereby corrected as shown below:

On the Title Page

Item (22), delete "May 5, 2004" and substitute --May 6, 2004-- in its place.

Signed and Sealed this

Fifth Day of February, 2008

A handwritten signature in black ink that reads "Jon W. Dudas". The signature is written in a cursive style with a large, looped initial "J".

JON W. DUDAS

*Director of the United States Patent and Trademark Office*