

US00D508259S

(12) **United States Design Patent**
Rieck et al.

(10) **Patent No.:** **US D508,259 S**

(45) **Date of Patent:** **** Aug. 9, 2005**

(54) **IMAGE PRODUCING MACHINE**

(75) Inventors: **Kenneth J. Rieck**, Victor, NY (US);
Murray O. Meetze, Jr., Rochester, NY (US)

(73) Assignee: **Xerox Corporation**, Stamford, CT (US)

(**) Term: **14 Years**

(21) Appl. No.: **29/198,364**

(22) Filed: **Jan. 28, 2004**

(51) **LOC (8) Cl.** **16-03**

(52) **U.S. Cl.** **D18/39**

(58) **Field of Search** D18/36-41, 46-50, D18/53; D14/462, 463; 355/97; 399/1, 3, 75, 81, 82, 107, 110, 151, 361-365, 377, 379, 380, 390, 391, 393, 405, 411

(56) **References Cited**

U.S. PATENT DOCUMENTS

- D258,446 S * 3/1981 Beehler et al. D18/38
- D268,345 S * 3/1983 Robertson D18/38
- D275,762 S * 10/1984 Olson D18/38

- D296,902 S * 7/1988 Gormley et al. D18/39
- 5,049,929 A * 9/1991 Anderson et al. 399/82
- D425,108 S * 5/2000 Kabumoto et al. D18/38
- D428,914 S * 8/2000 Kabumoto et al. D18/39
- D450,343 S * 11/2001 Matsuo et al. D18/39

* cited by examiner

Primary Examiner—Caron D. Veynar

(74) *Attorney, Agent, or Firm*—Tallam I. Nguti

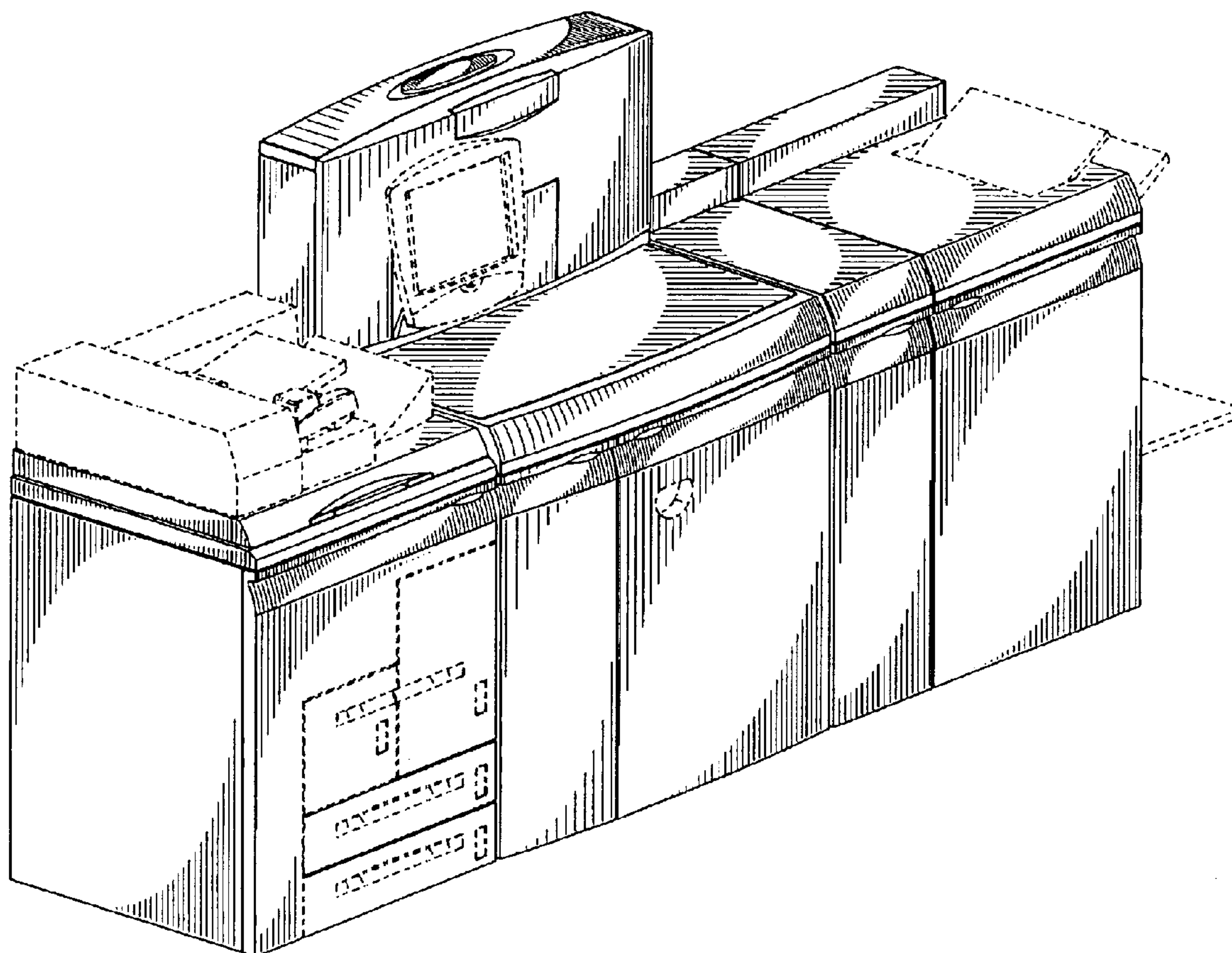
(57) **CLAIM**

The ornamental design for an image producing machine, as shown and described.

DESCRIPTION

FIG. 1 is a perspective view of an image producing machine showing the design of the present invention; FIG. 2 is a front view thereof; FIG. 3 is a right side view thereof; FIG. 4 is a rear view thereof; FIG. 5 is a left side view thereof; and, FIG. 6 is a top plan view thereof. The broken lines shown are for illustrative purposes only and do not form part of the claimed design.

1 Claim, 6 Drawing Sheets



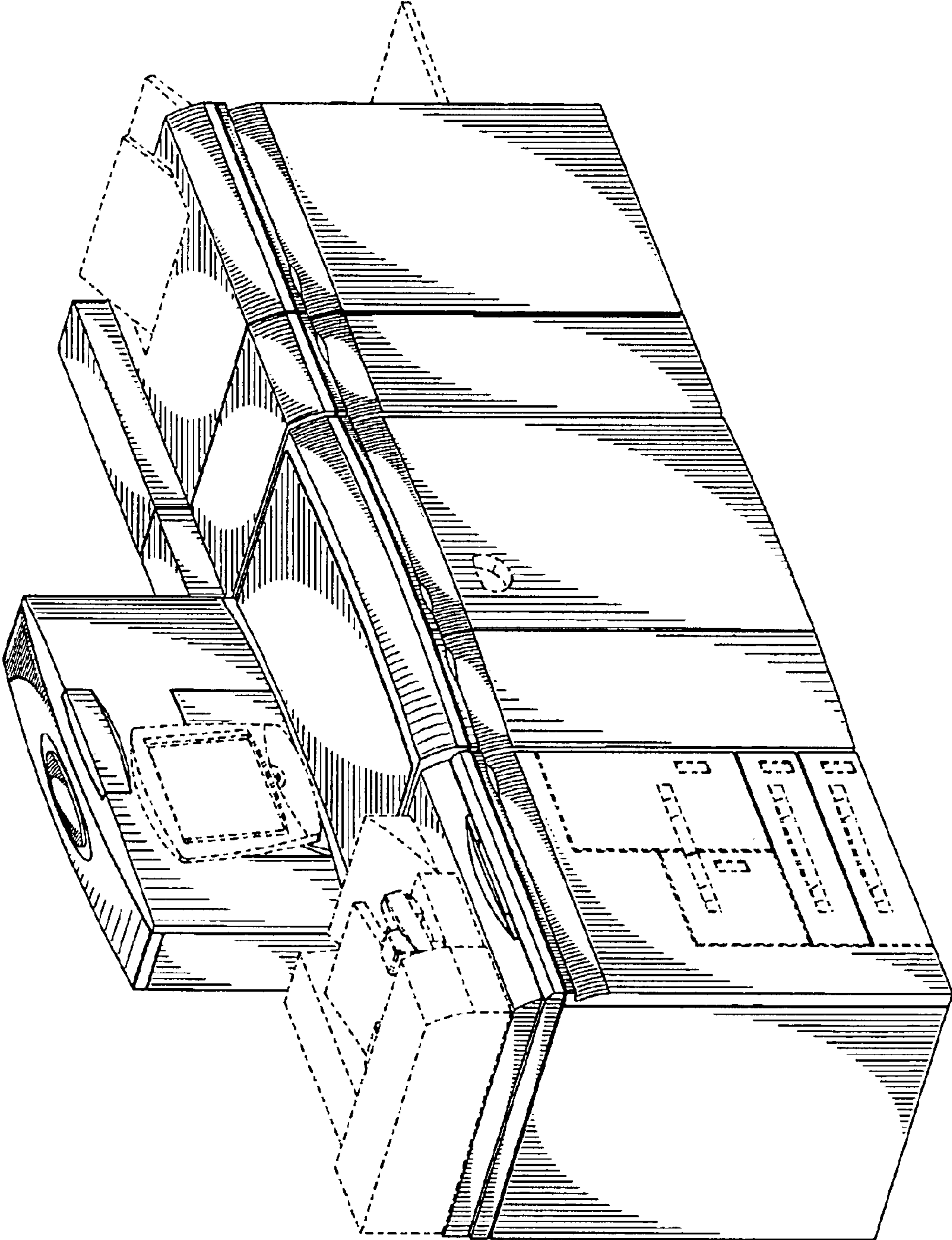


FIG. 1

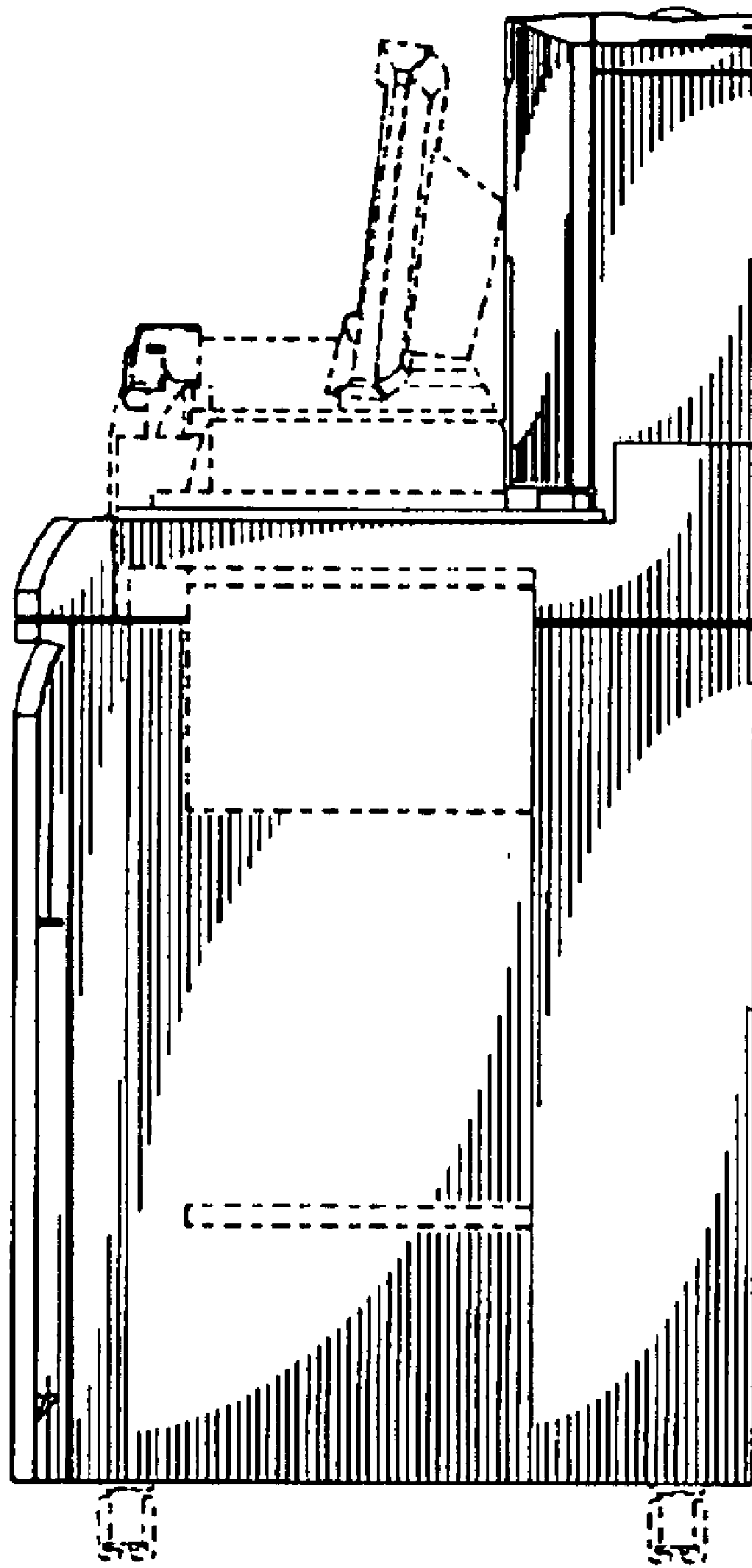


FIG. 3

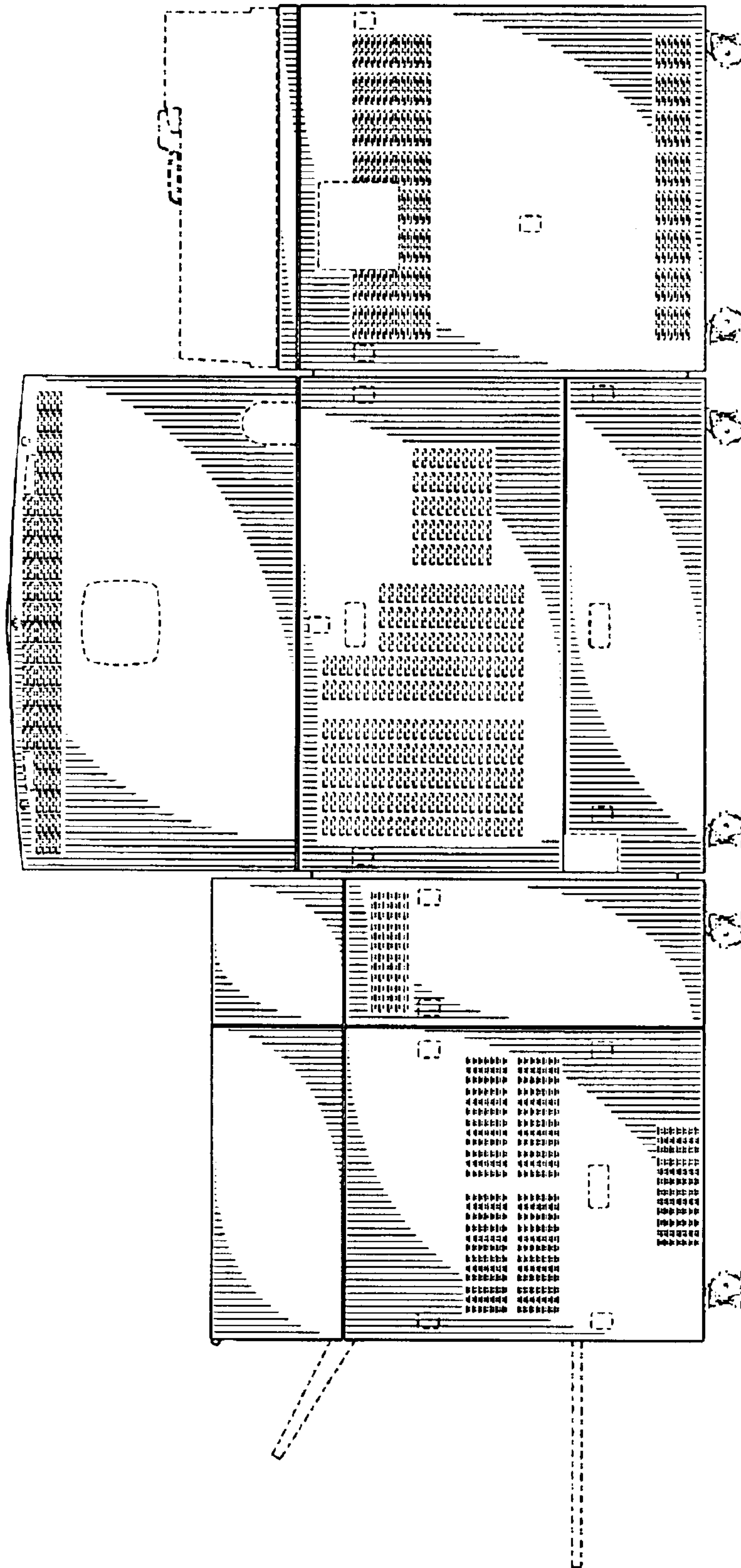


FIG. 4

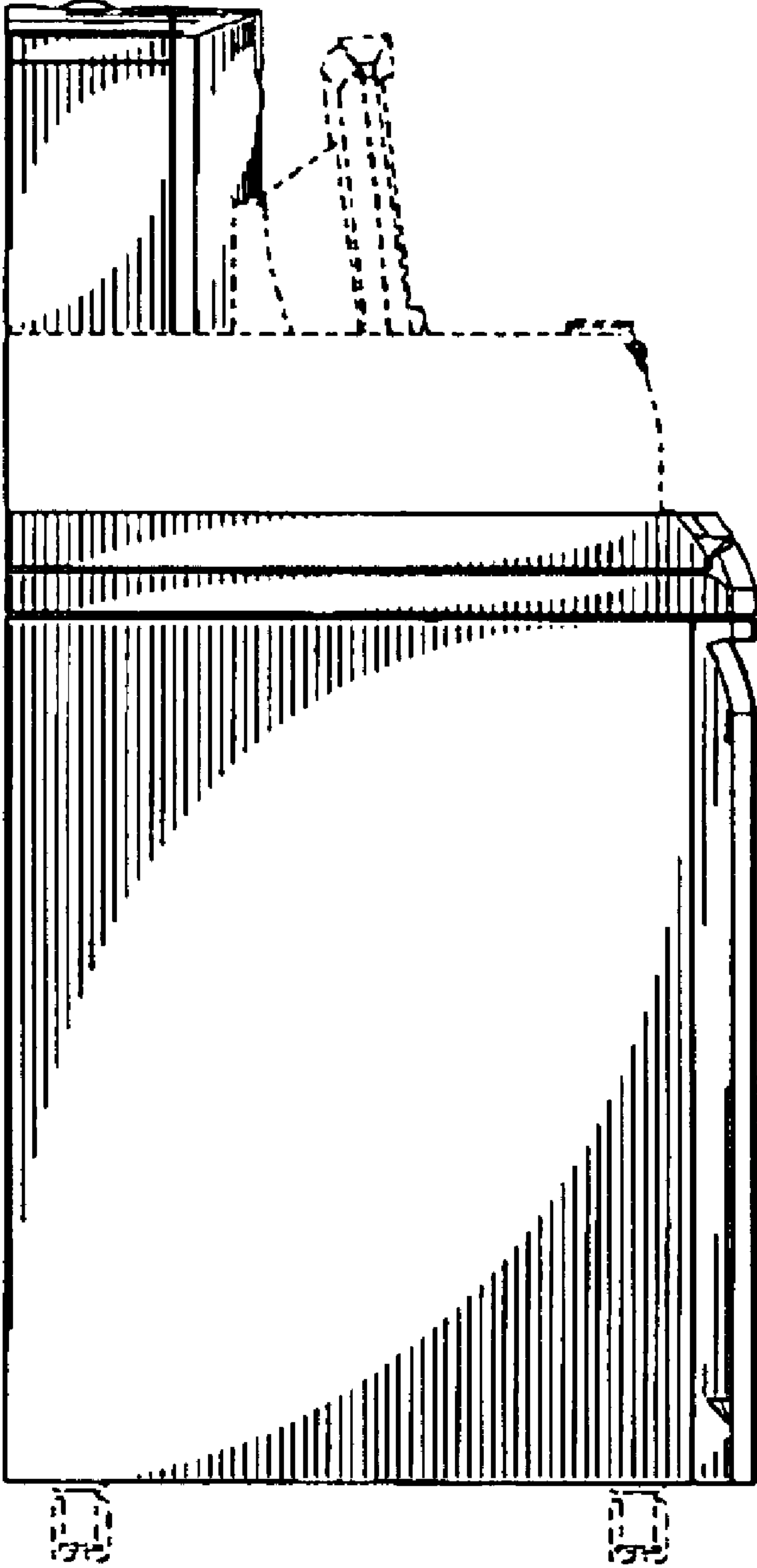


FIG. 5

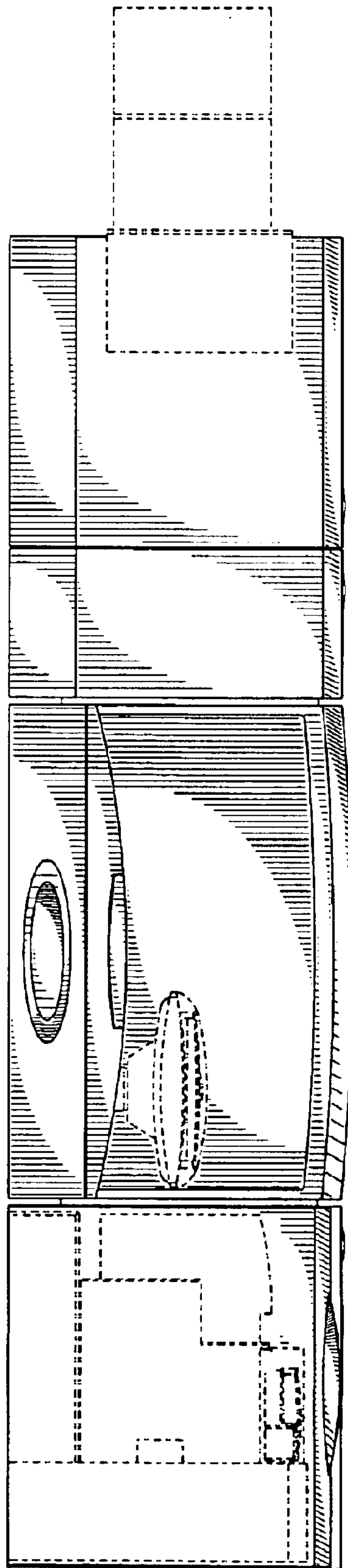


FIG. 6