



US00D508254S

(12) **United States Design Patent**
Fujii

(10) **Patent No.:** **US D508,254 S**

(45) **Date of Patent:** **** Aug. 9, 2005**

(54) **DIGITAL CAMERA**

D432,152 S * 10/2000 Watanabe D16/209
D456,431 S * 4/2002 Kim D16/202
D496,675 S * 9/2004 Fujii D16/202

(75) **Inventor:** **Akio Fujii, Tokyo (JP)**

* cited by examiner

(73) **Assignee:** **PENTAX Corporation, Tokyo (JP)**

Primary Examiner—Adir Aronovich

(**) **Term:** **14 Years**

(74) *Attorney, Agent, or Firm*—Sughrue Mion, PLLC

(21) **Appl. No.:** **29/208,034**

(57) **CLAIM**

(22) **Filed:** **Jun. 24, 2004**

The ornamental design for a digital camera, as shown and described.

(30) **Foreign Application Priority Data**

Dec. 26, 2003 (JP) 2003-038539

DESCRIPTION

(51) **LOC (8) Cl.** **16-01**

FIG. 1 is a perspective view of the top front and right side of a digital camera showing my new design;

(52) **U.S. Cl.** **D16/202; D16/219**

FIG. 2 is a front elevational view thereof;

(58) **Field of Search** **D16/200–204,**

FIG. 3 is a rear elevational view thereof;

D16/208, 218, 219; 348/373–376; 358/906,

FIG. 4 is a left side elevational view thereof;

909.1; 396/535–541

FIG. 5 is a right side elevational view thereof;

FIG. 6 is a top plan view thereof; and,

FIG. 7 is a bottom plan view thereof.

The elements shown in broken lines are for illustrative purposes only and form no part of the claimed design.

(56) **References Cited**

U.S. PATENT DOCUMENTS

5,555,052 A * 9/1996 Pearson 396/538

D415,779 S * 10/1999 Matsushita D16/218

1 Claim, 5 Drawing Sheets

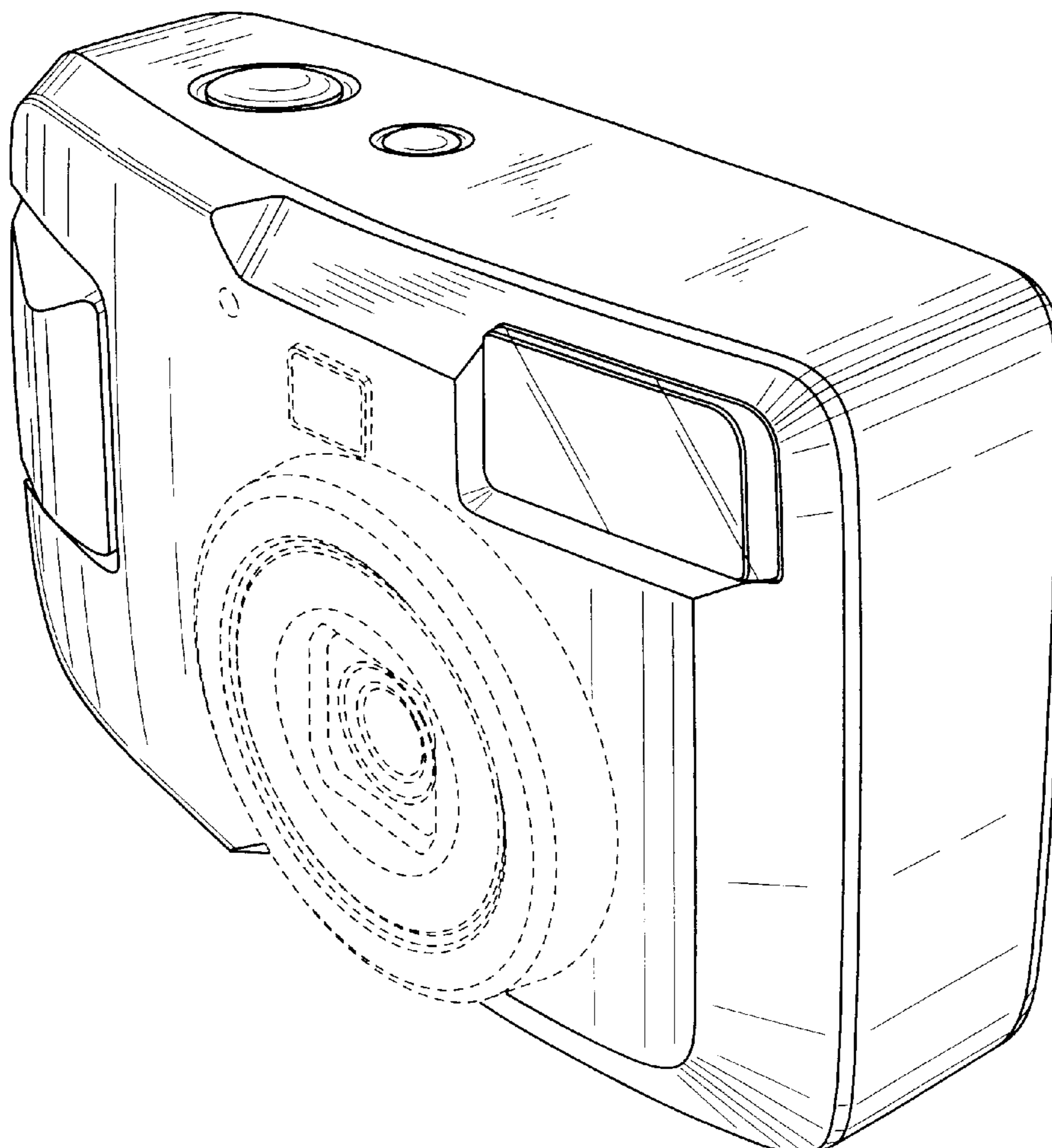


FIG. 1

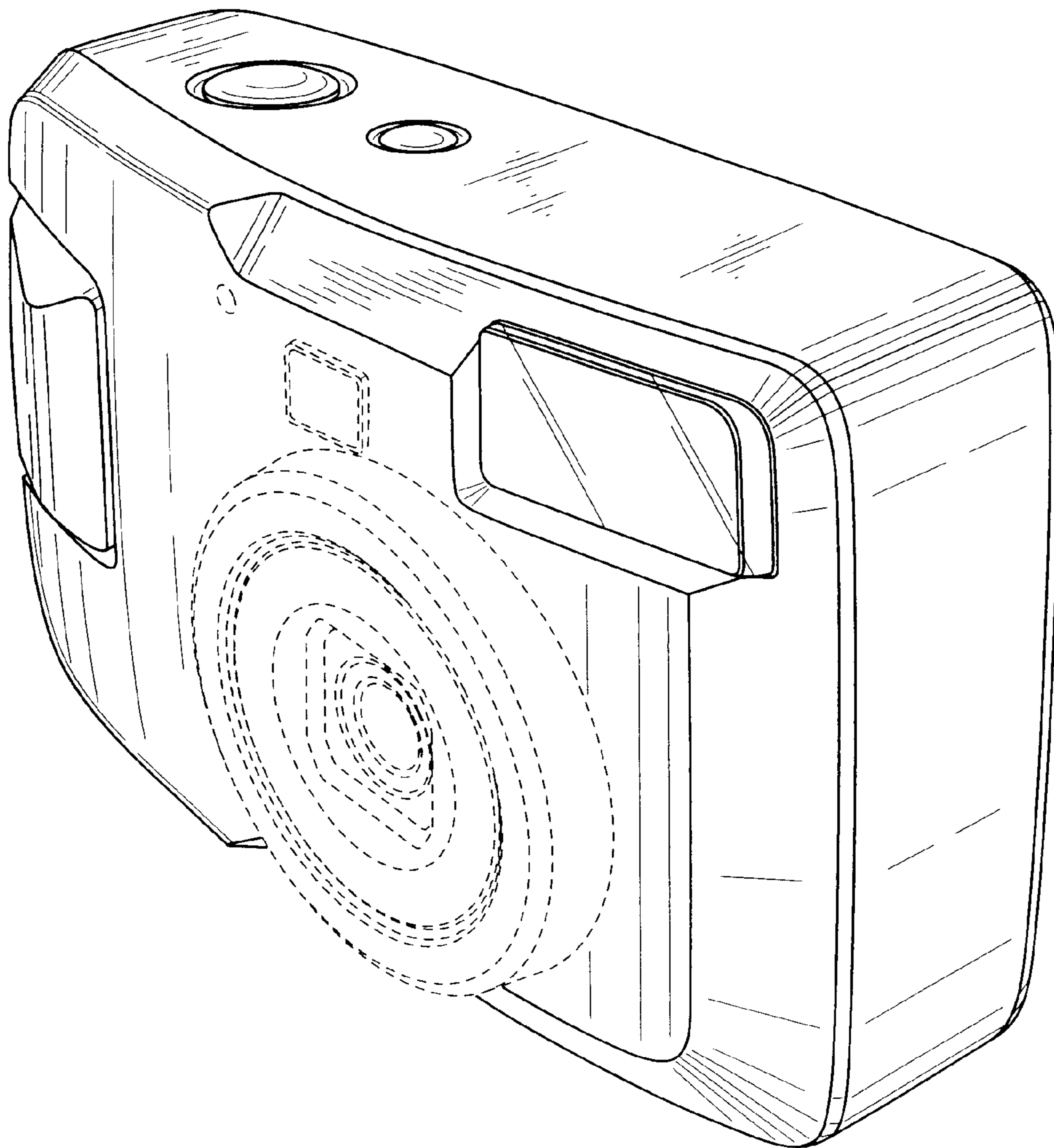


FIG. 2

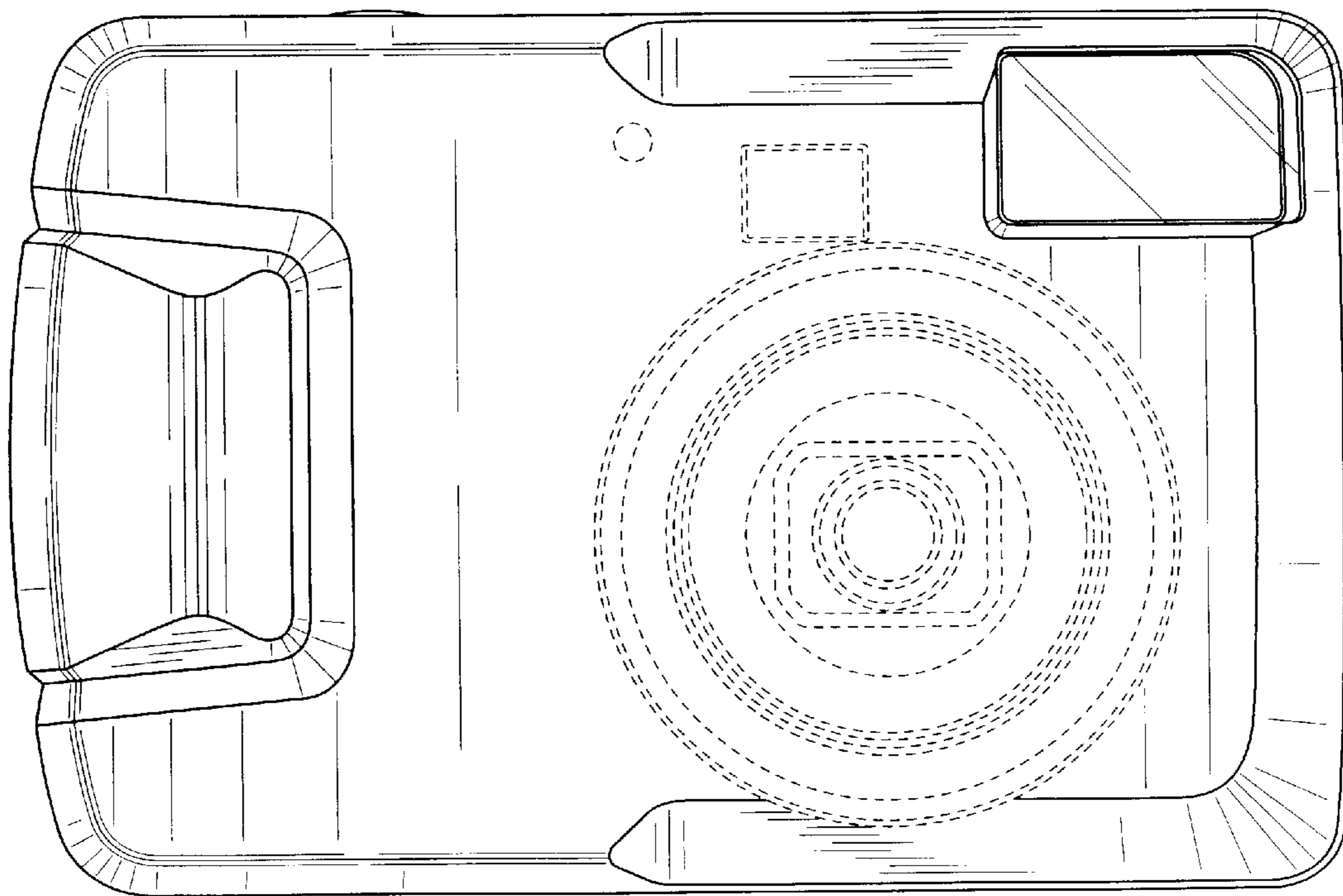


FIG. 3

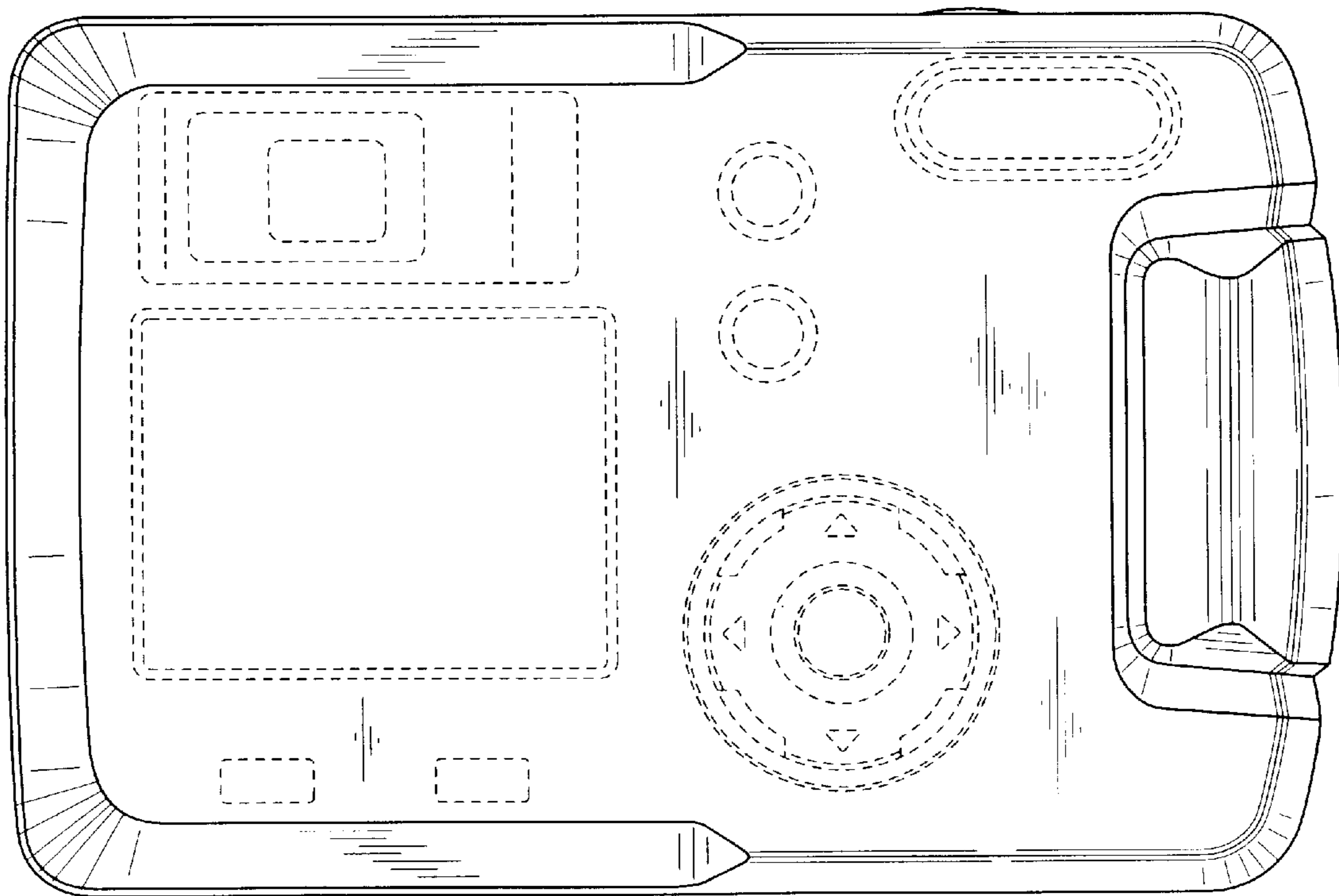


FIG. 4

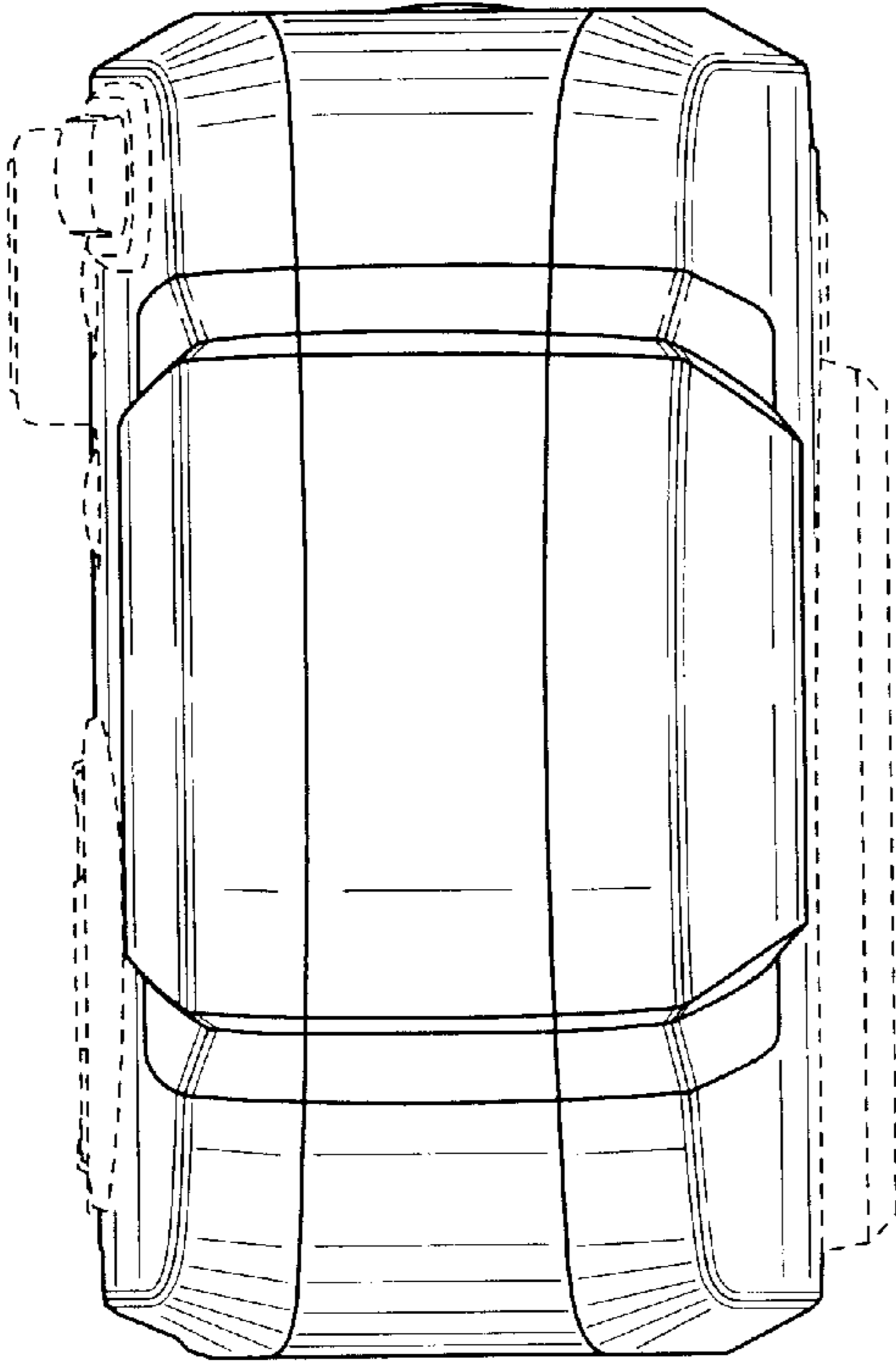


FIG. 5

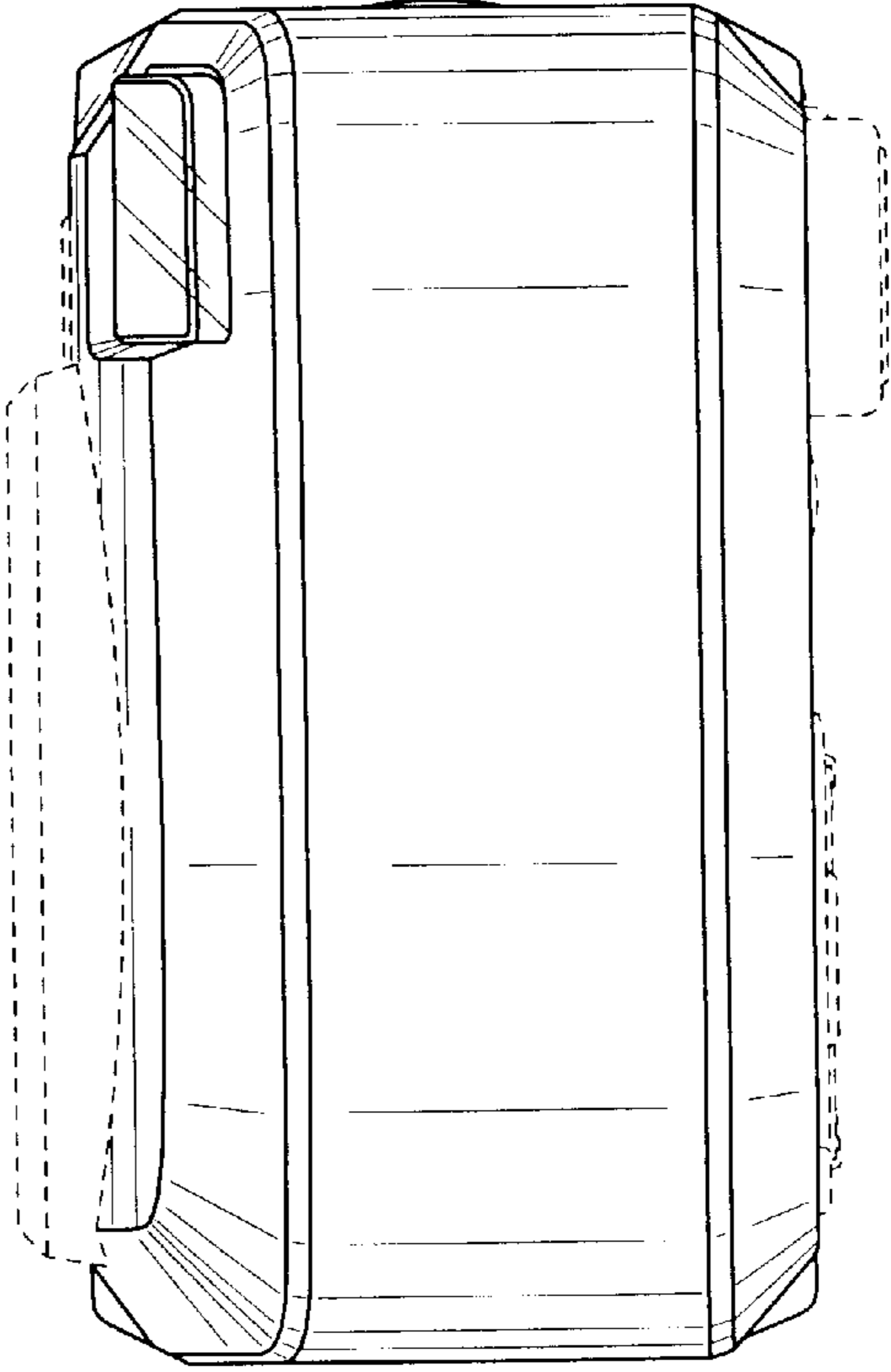


FIG. 6

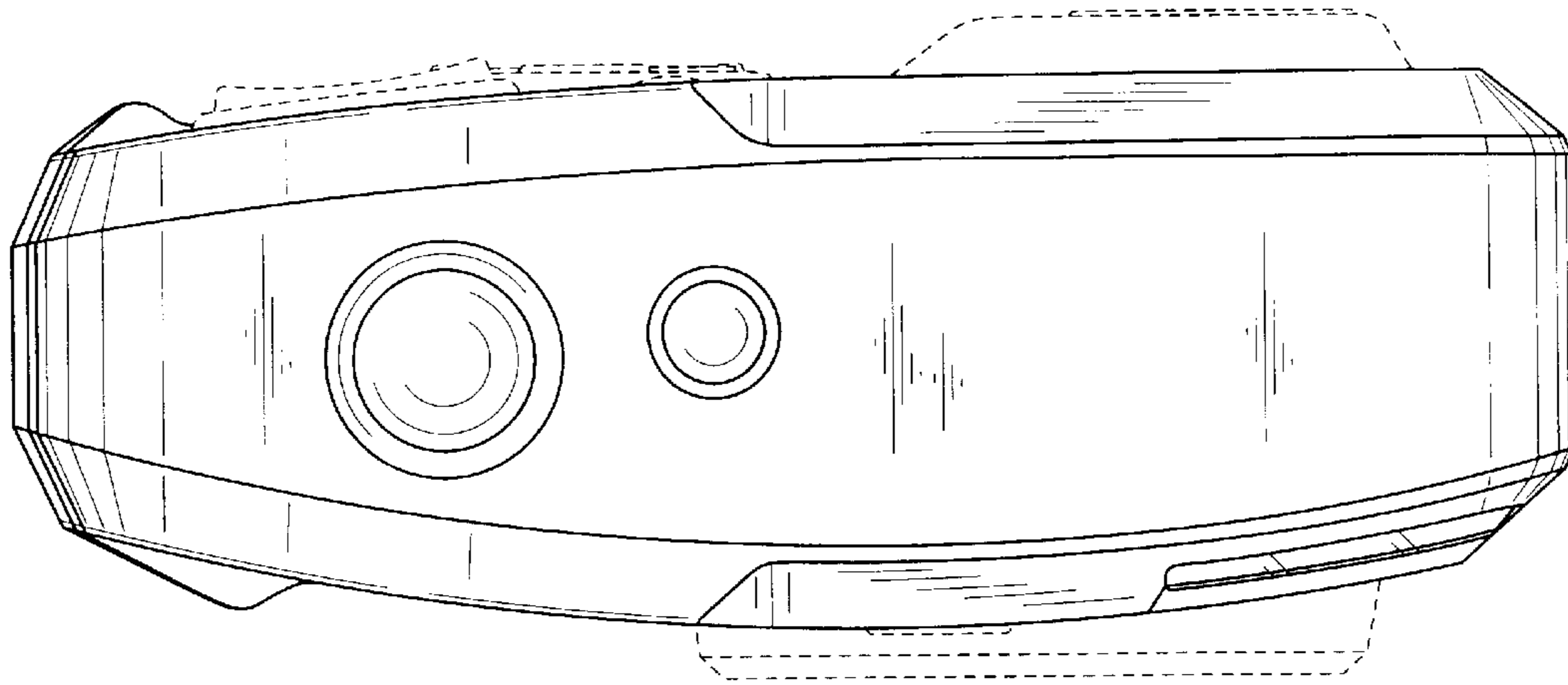


FIG. 7

