



US00D508253S

(12) **United States Design Patent**
Hayamizu

(10) **Patent No.:** **US D508,253 S**
(45) **Date of Patent:** **** Aug. 9, 2005**

(54) **BINOCULARS**

(75) **Inventor:** **Eiji Hayamizu, Tokyo (JP)**

(73) **Assignee:** **PENTAX Corporation, Tokyo (JP)**

(**) **Term:** **14 Years**

(21) **Appl. No.:** **29/210,861**

(22) **Filed:** **Aug. 9, 2004**

(30) **Foreign Application Priority Data**

Feb. 9, 2004 (JP) 2004-003217

(51) **LOC (8) Cl.** **16-06**

(52) **U.S. Cl.** **D16/133; D16/136**

(58) **Field of Search** **D16/133, 130,**
D16/132, 136; 359/407, 408, 409, 410,
411, 412, 413, 414, 415, 416, 417, 418,
419, 420, 421, 422; D21/329

(56) **References Cited**

U.S. PATENT DOCUMENTS

D275,400 S	*	9/1984	Huckenbeck	D16/133
D284,090 S	*	6/1986	Takizawa et al.	D21/329
D311,748 S	*	10/1990	Kwon	D16/133
D395,905 S	*	7/1998	Hamamura	D16/133
D418,850 S	*	1/2000	Lee	D16/133
D421,997 S	*	3/2000	Kawahata	D16/133
D457,541 S	*	5/2002	Hayashi	D16/133
D502,718 S	*	3/2005	Matsushita	D16/133

OTHER PUBLICATIONS

U.S. Appl. No. 29/210,856, filed Aug. 9, 2004, Eiji Hayamizu.

U.S. Appl. No. 29/210,835, filed Aug. 9, 2004, Eiji Hayamizu.

U.S. Appl. No. 29/210,836, filed Aug. 9, 2004, Eiji Hayamizu.

U.S. Appl. No. 29/210,834, filed Aug. 9, 2004, Eiji Hayamizu.

U.S. Appl. No. 29/210,833, filed Aug. 9, 2004, Eiji Hayamizu.

U.S. Appl. No. 29/210,832, filed Aug. 9, 2004, Eiji Hayamizu.

U.S. Appl. No. 29/210,850, filed Aug. 9, 2004, Eiji Hayamizu.

U.S. Appl. No. 29/210,864, filed Aug. 9, 2004, Eiji Hayamizu.

* cited by examiner

Primary Examiner—Paula A. Greene

(74) *Attorney, Agent, or Firm*—Sughrue Mion, PLLC

(57) **CLAIM**

The ornamental design for binoculars, as shown and described.

DESCRIPTION

FIG. 1 is a perspective view of the top, front and right side of binoculars showing my new design;

FIG. 2 is a front elevational view thereof;

FIG. 3 is a rear elevational view thereof;

FIG. 4 is a right side elevational view thereof;

FIG. 5 is a left side elevational view thereof;

FIG. 6 is a top plan view thereof; and,

FIG. 7 is a bottom plan view thereof.

The elements shown in broken lines are for illustrative purposes only and form no part of the claimed design.

1 Claim, 5 Drawing Sheets

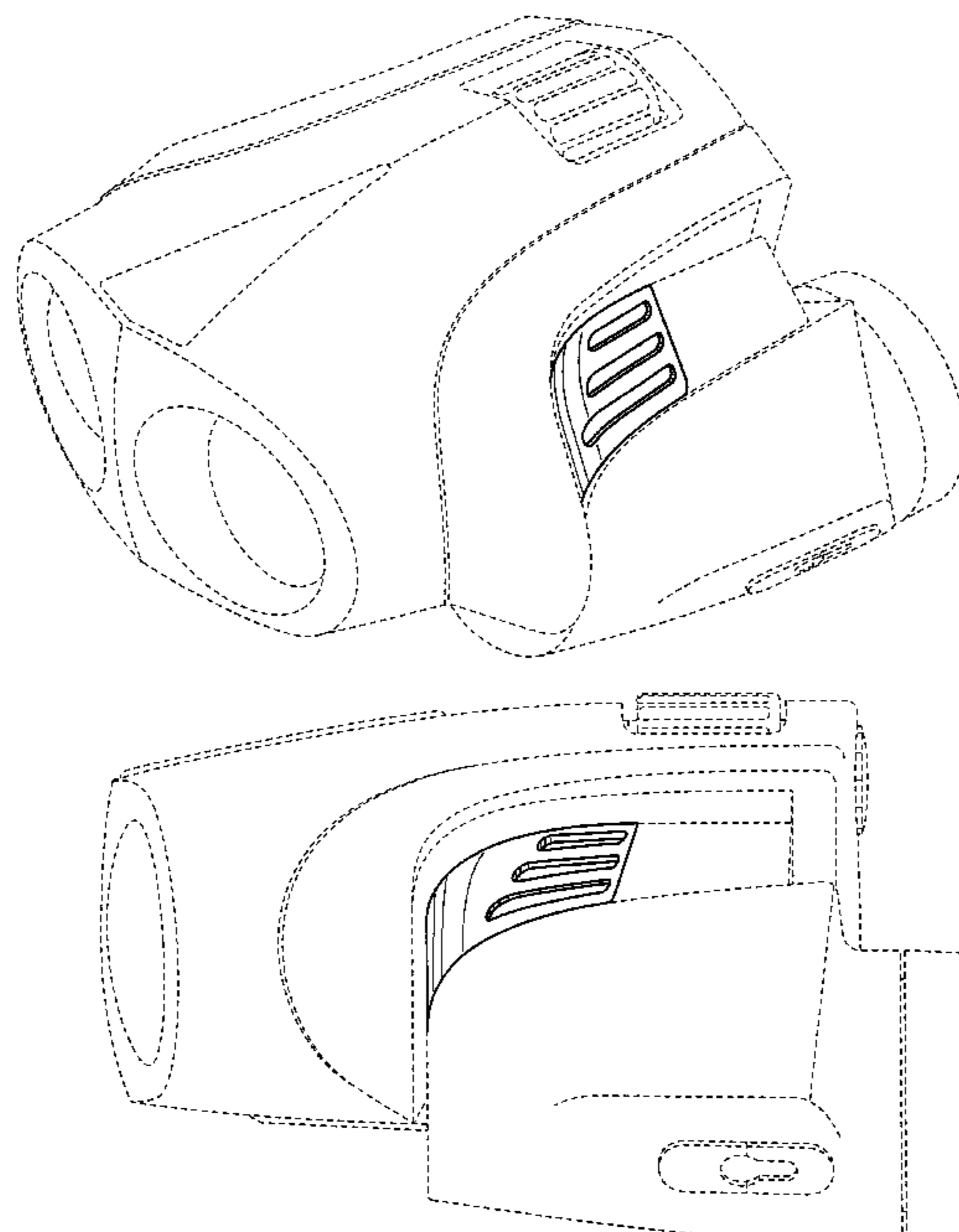


FIG. 1

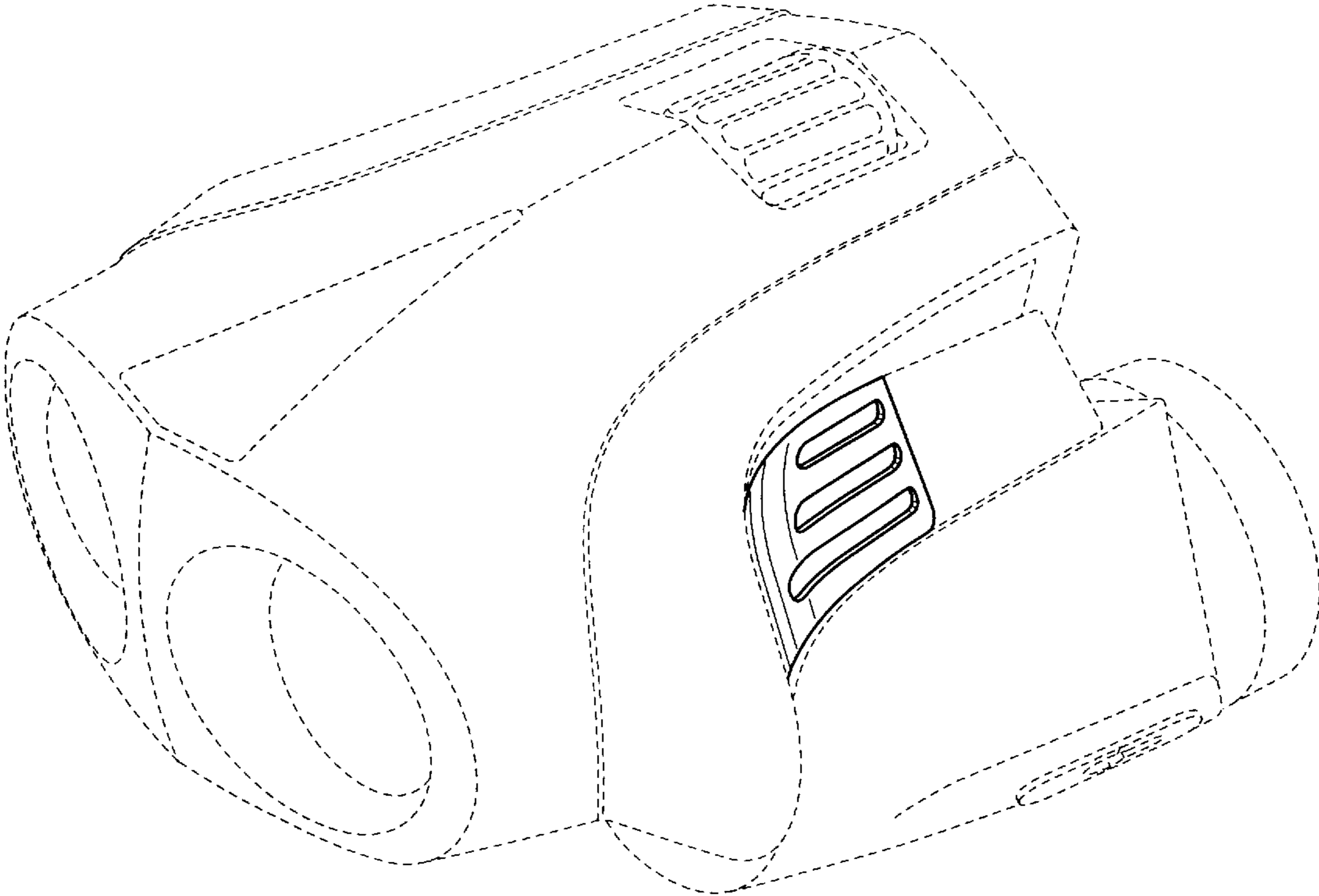


FIG. 2

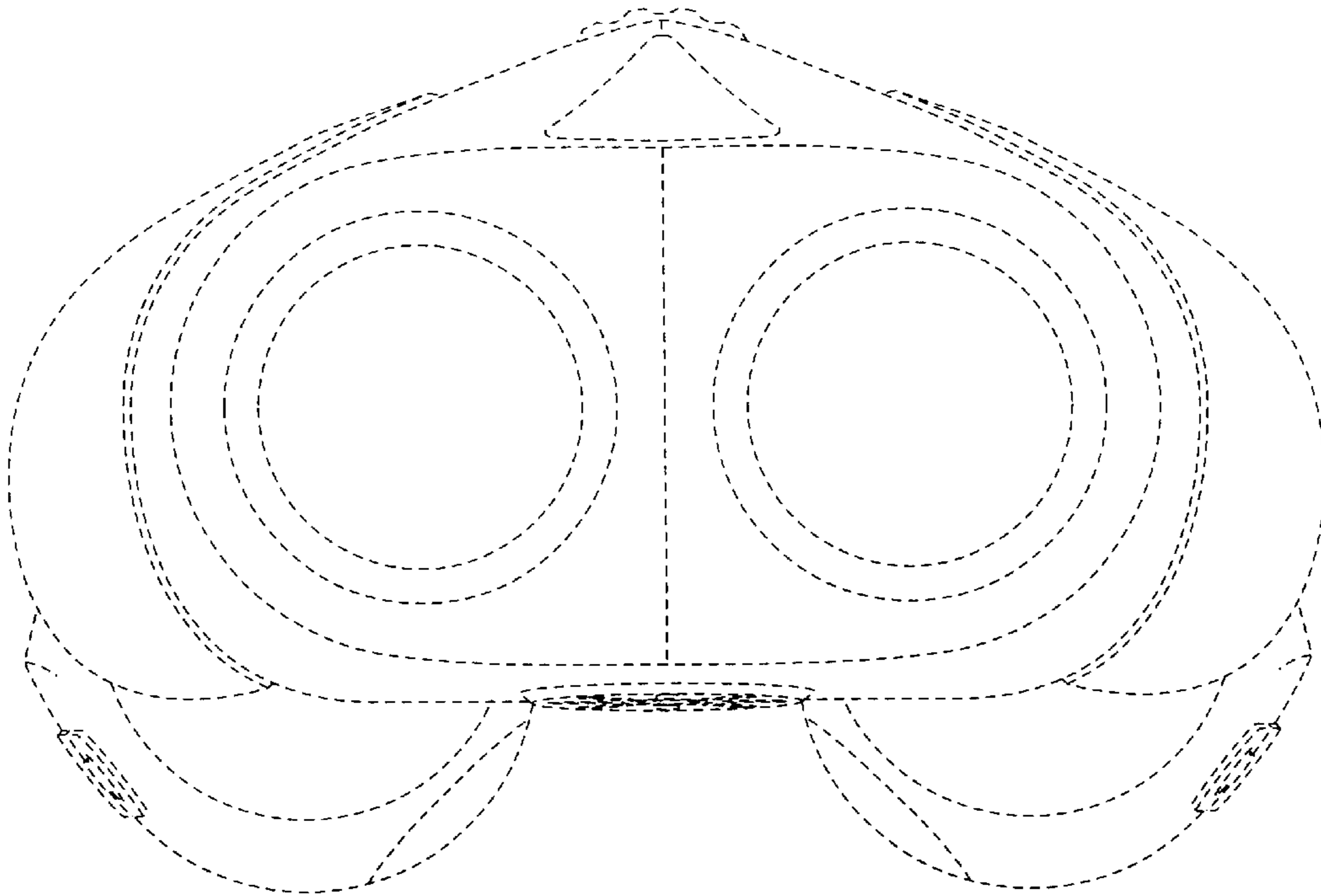


FIG. 3

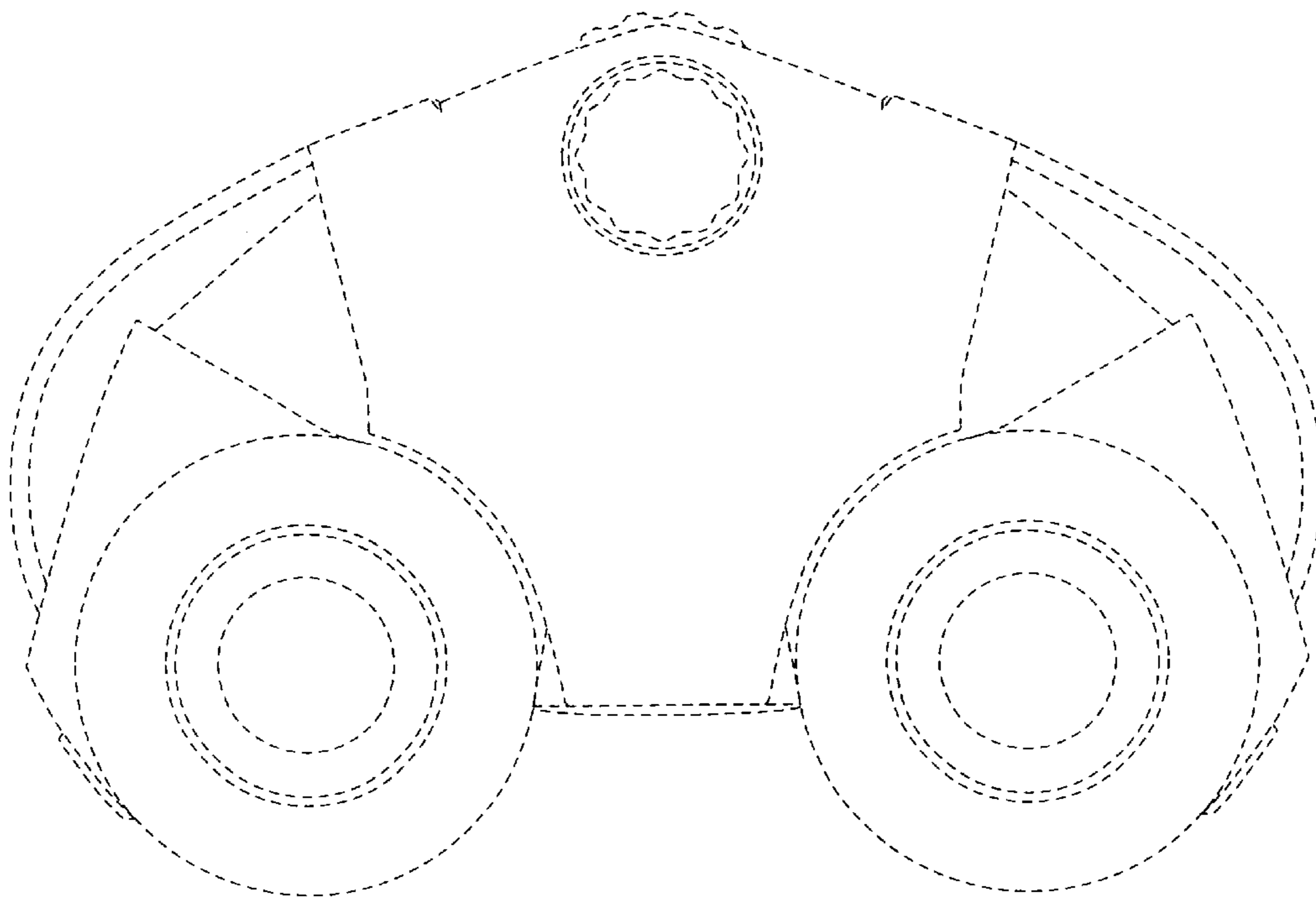


FIG. 4

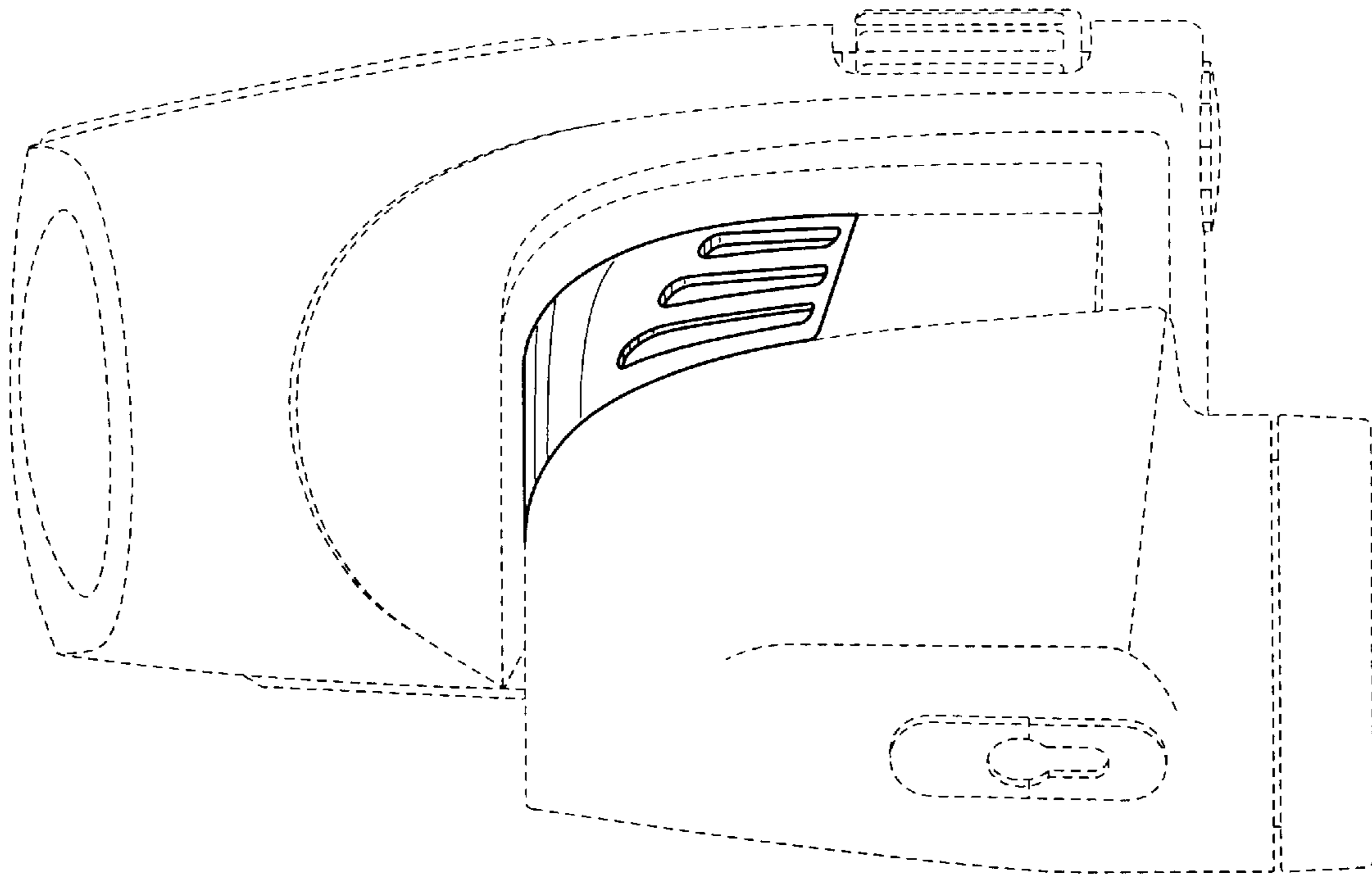


FIG. 5

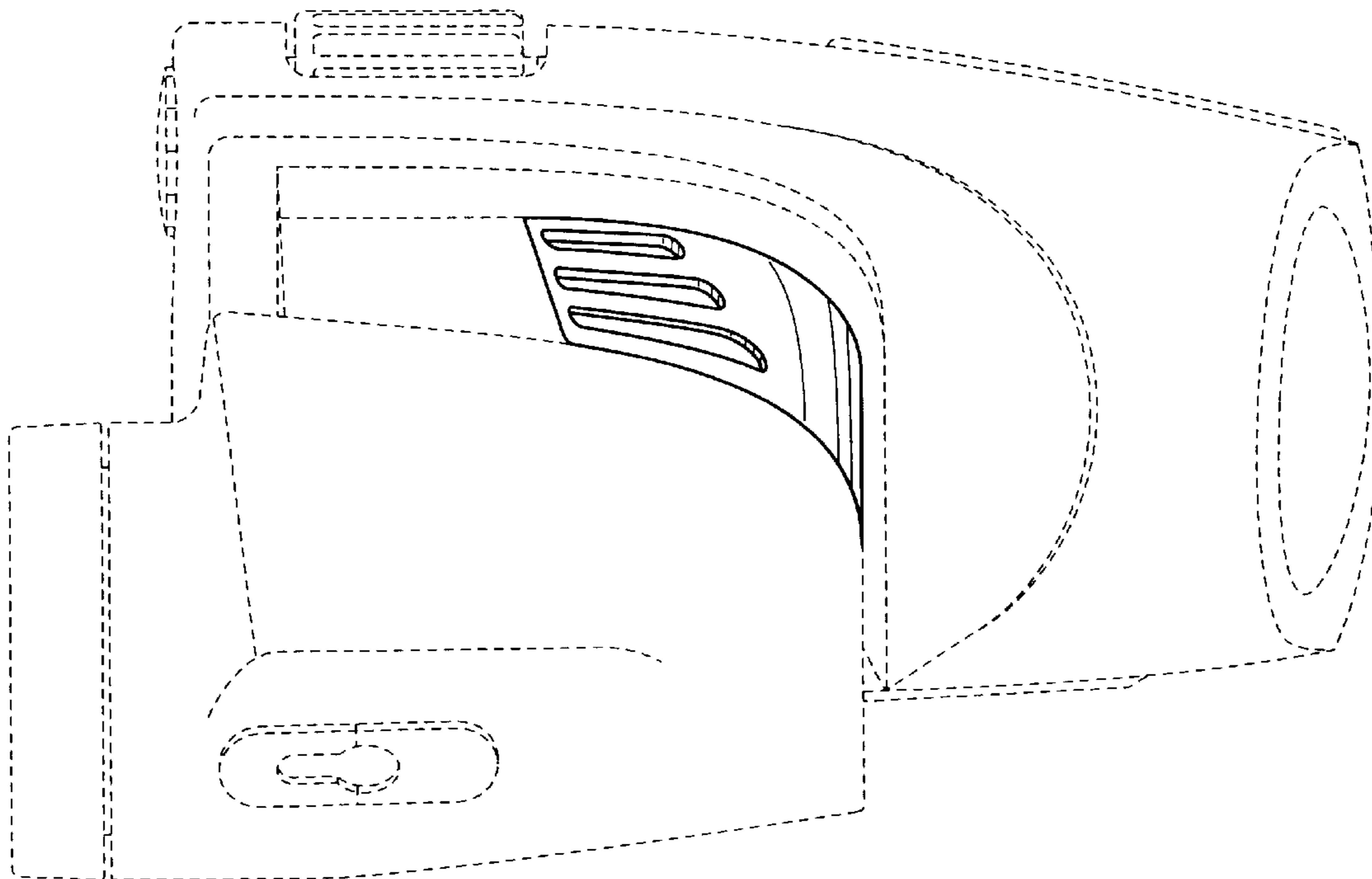


FIG. 6

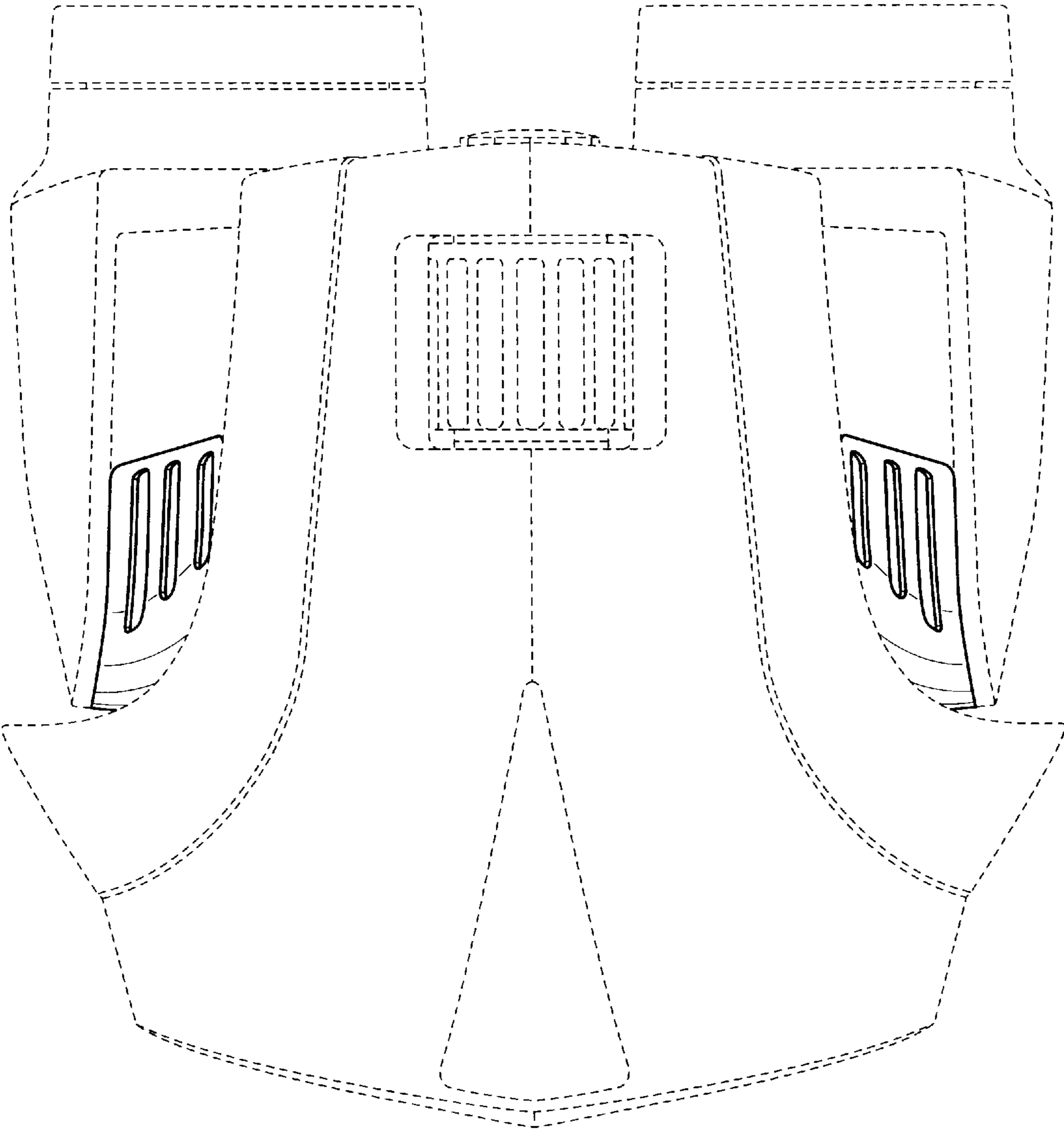


FIG. 7

