

US00D508252S

(12) **United States Design Patent**
Koinuma

(10) **Patent No.:** **US D508,252 S**

(45) **Date of Patent:** **** Aug. 9, 2005**

(54) **SPOTTING SCOPE**

(75) **Inventor:** **Masahiro Koinuma, Tokyo (JP)**

(73) **Assignee:** **PENTAX Corporation, Tokyo (JP)**

(**) **Term:** **14 Years**

(21) **Appl. No.:** **29/210,862**

(22) **Filed:** **Aug. 9, 2004**

(30) **Foreign Application Priority Data**

Feb. 9, 2004 (JP) 2004-003211

(51) **LOC (8) Cl.** **16-06**

(52) **U.S. Cl.** **D16/132**

(58) **Field of Search** D16/130, 132,
D16/133; 359/350, 351, 353, 400, 419,
420, 404, 407, 422, 426, 428, 429, 415,
480, 827, 831, 835; D22/108, 109, 110

(56) **References Cited**

U.S. PATENT DOCUMENTS

- D165,231 S * 11/1951 Kieffer, III et al. D16/132
- D215,355 S * 9/1969 Weatherby D16/132
- D272,916 S * 3/1984 Tomatsuri et al. D16/132
- D285,802 S * 9/1986 Ogasawara D16/132
- 4,669,833 A * 6/1987 Mise 359/420

- D374,021 S * 9/1996 Meinzer D16/132
- D454,898 S * 3/2002 Ogasawara et al. D16/132
- D479,255 S * 9/2003 Hamamura D16/132
- D482,709 S * 11/2003 Meinzer D16/132
- D490,097 S * 5/2004 Regan et al. D16/132

* cited by examiner

Primary Examiner—Paula A. Greene

(74) *Attorney, Agent, or Firm*—Sughrue Mion, PLLC

(57) **CLAIM**

The ornamental design for a spotting scope, as shown and described.

DESCRIPTION

FIG. 1 is a perspective view of the top, front and right side of a spotting scope showing my new design;
 FIG. 2 is a perspective view top, rear and left side thereof;
 FIG. 3 is a right side elevational view thereof;
 FIG. 4 is a left side elevational view thereof;
 FIG. 5 is a rear elevational view thereof;
 FIG. 6 is a front elevational view thereof;
 FIG. 7 is a top plan view thereof; and,
 FIG. 8 is a bottom plan view thereof.

The elements shown in broken lines are for illustrative purposes only and form no part of the claimed design.

1 Claim, 5 Drawing Sheets

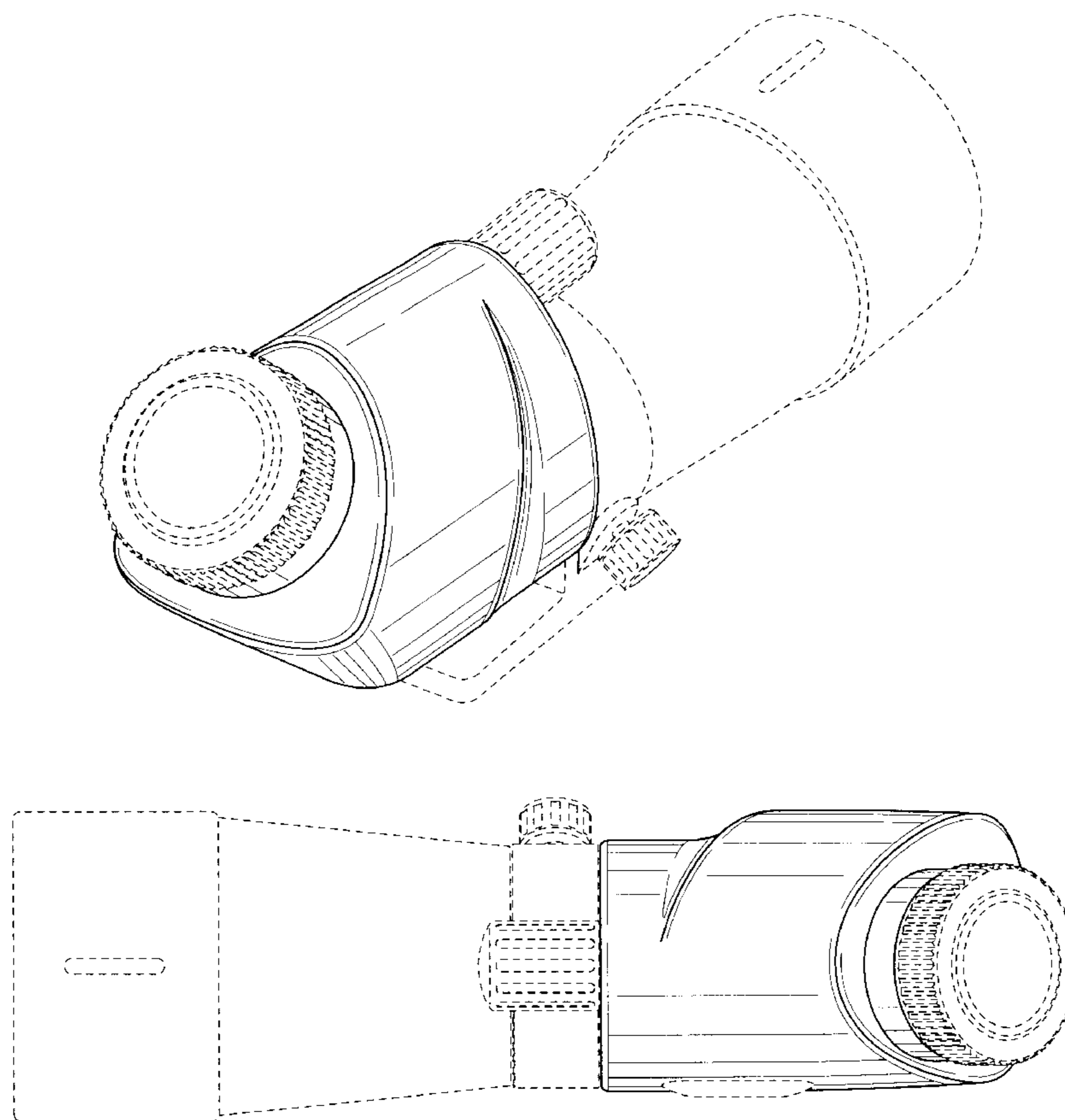


FIG. 1

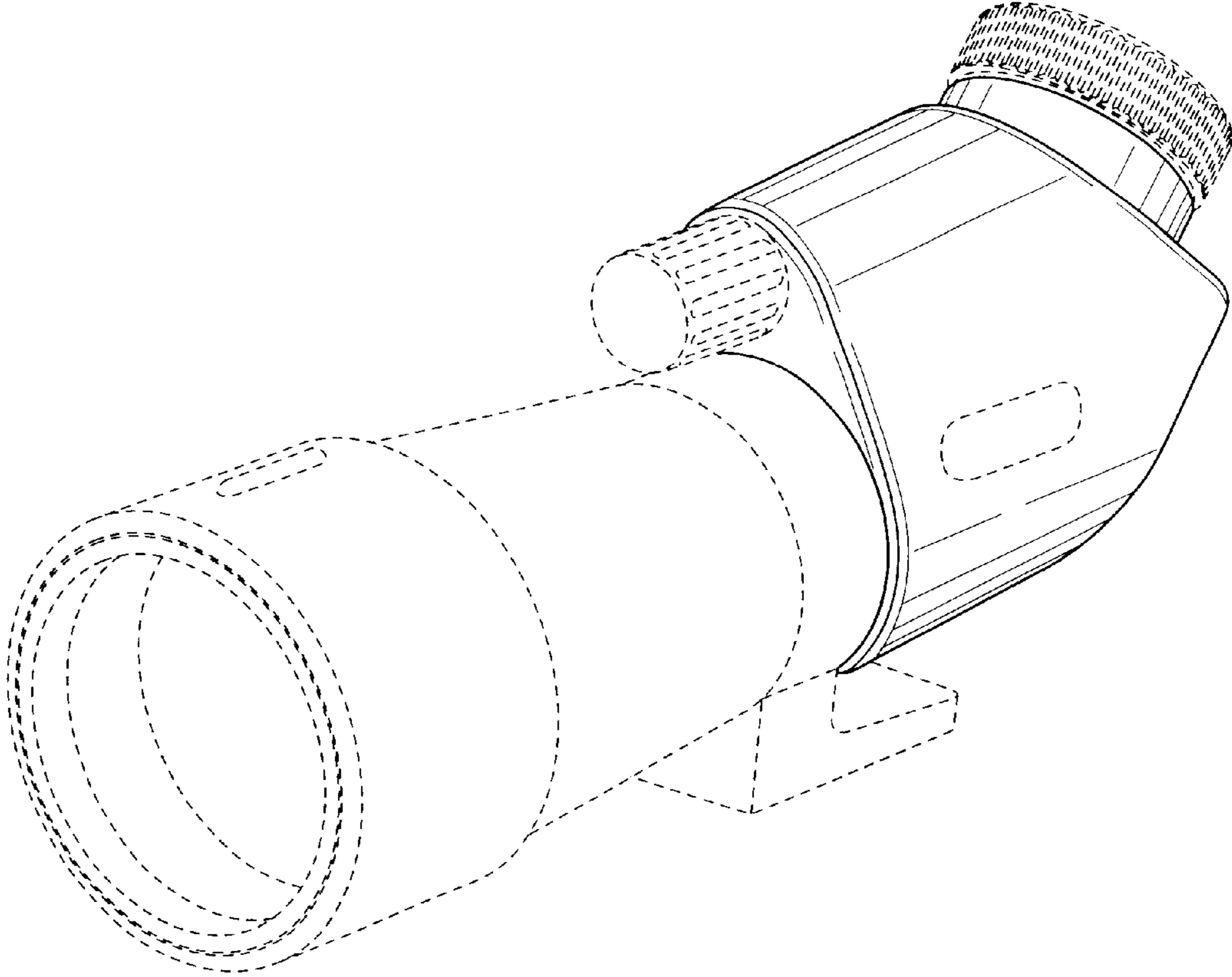


FIG. 2

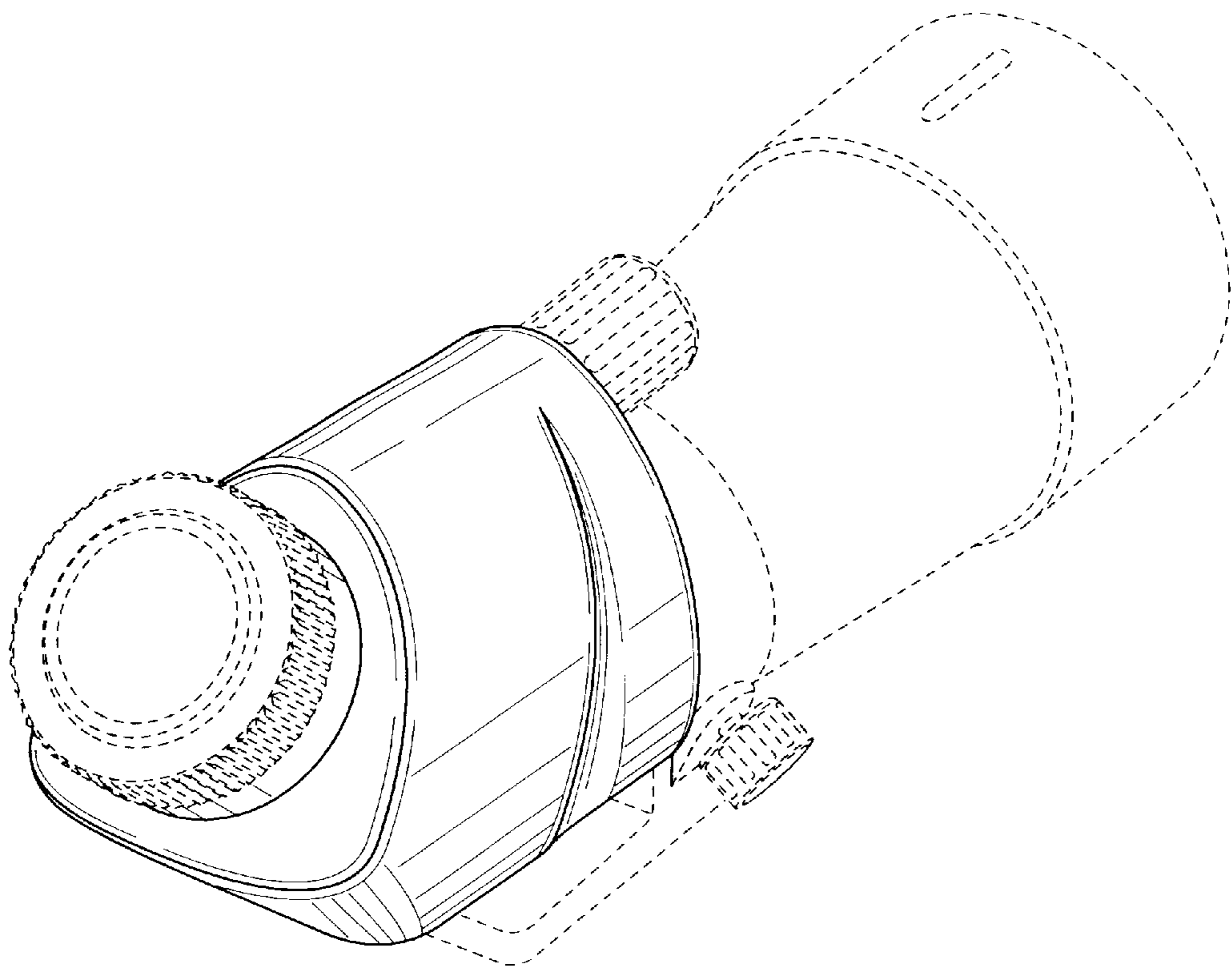


FIG. 3

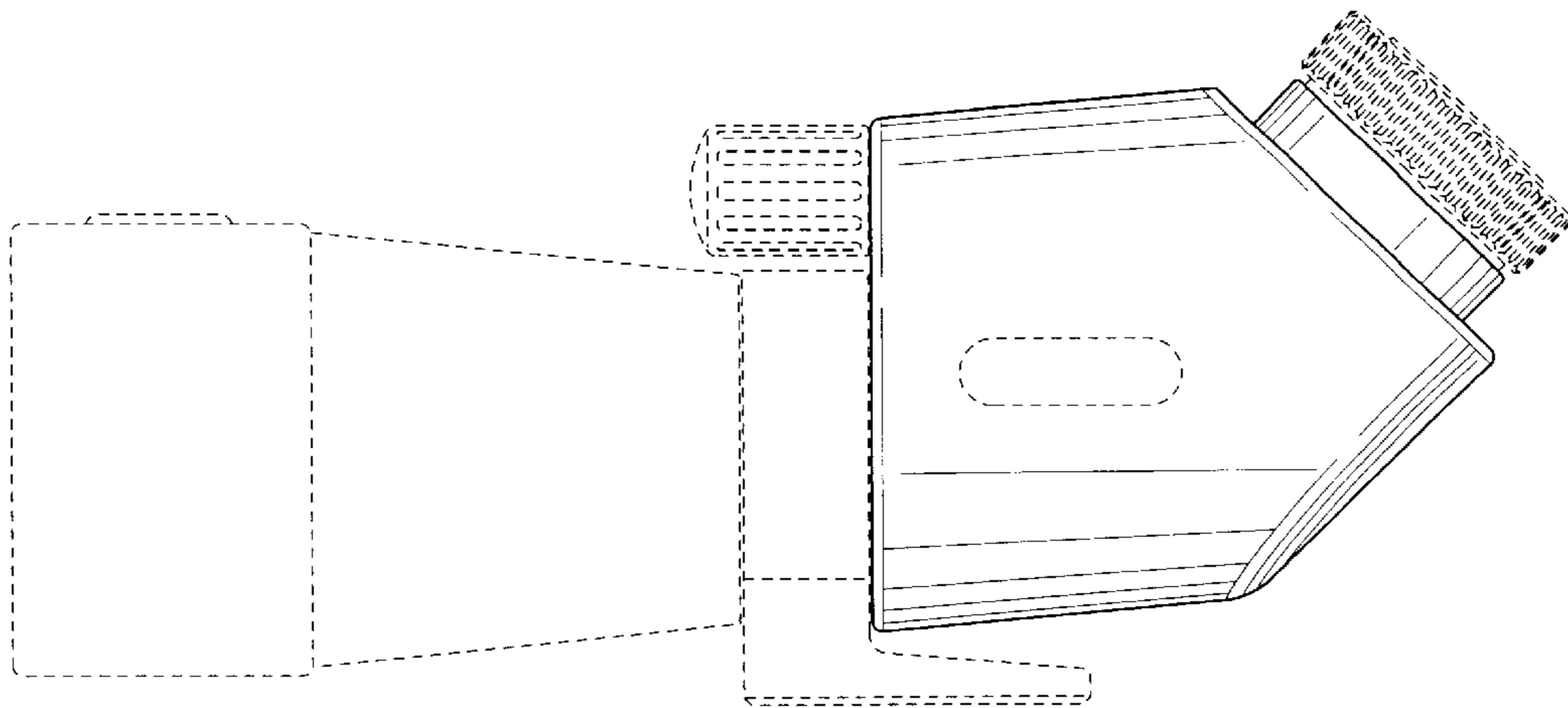


FIG. 4

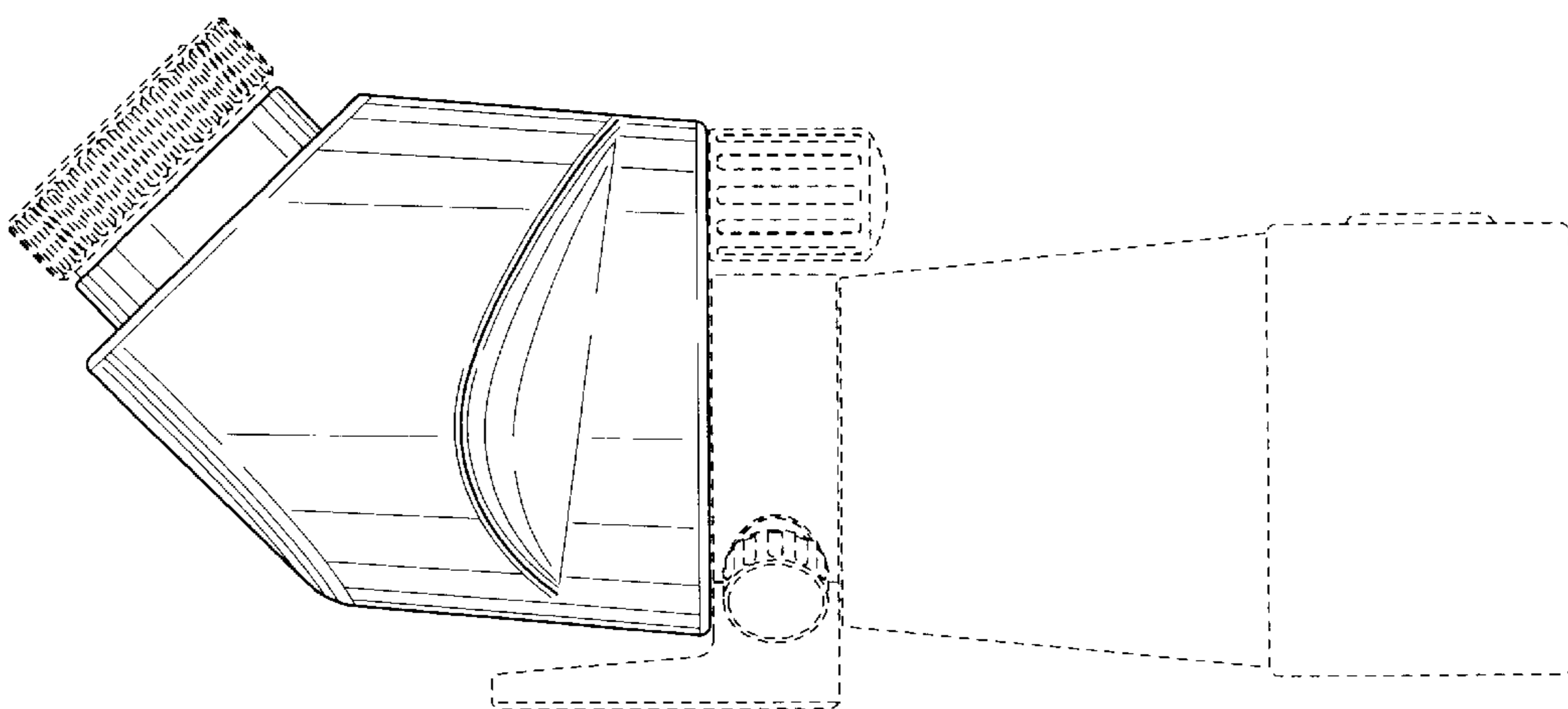


FIG. 5

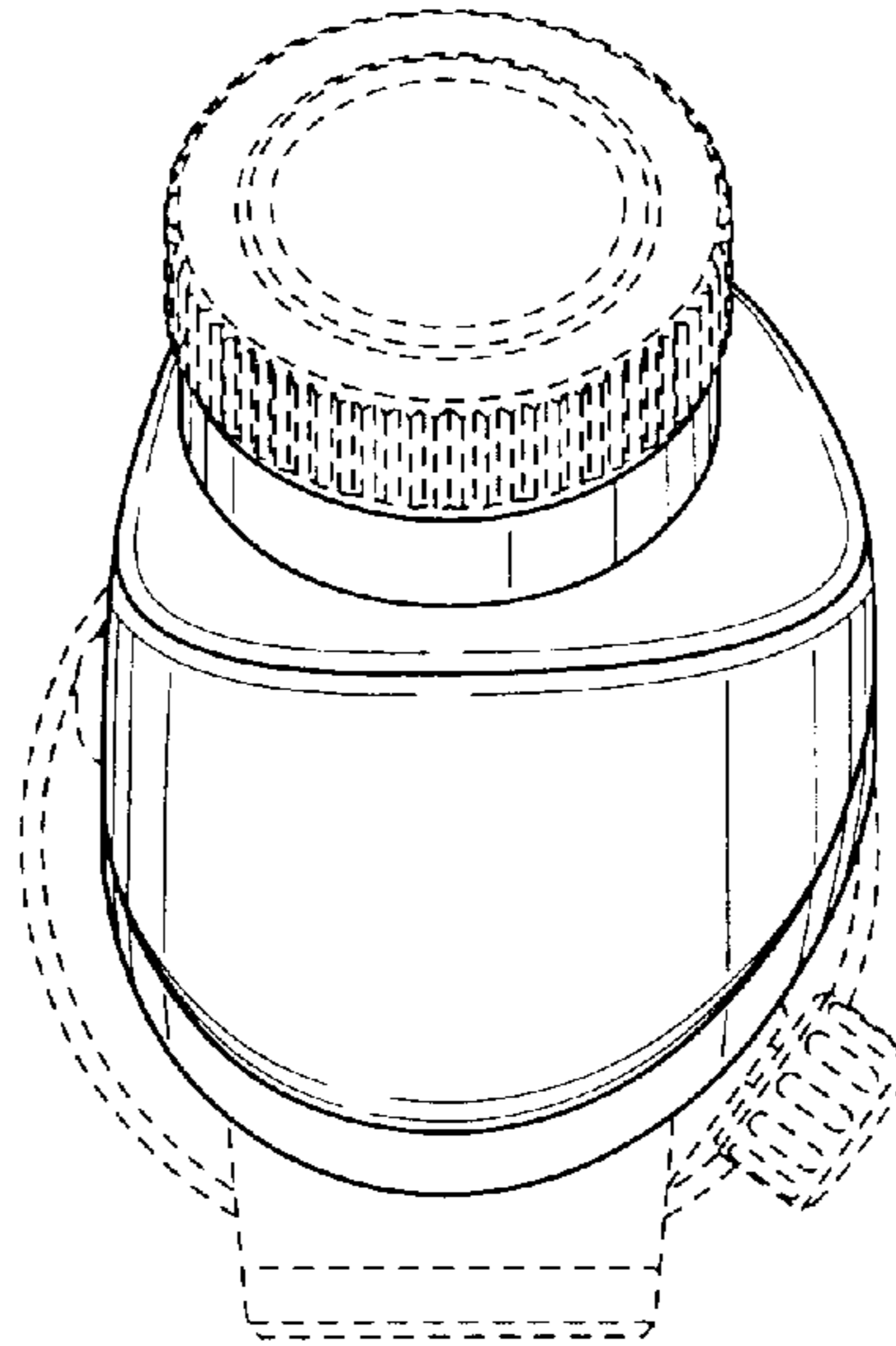


FIG. 6

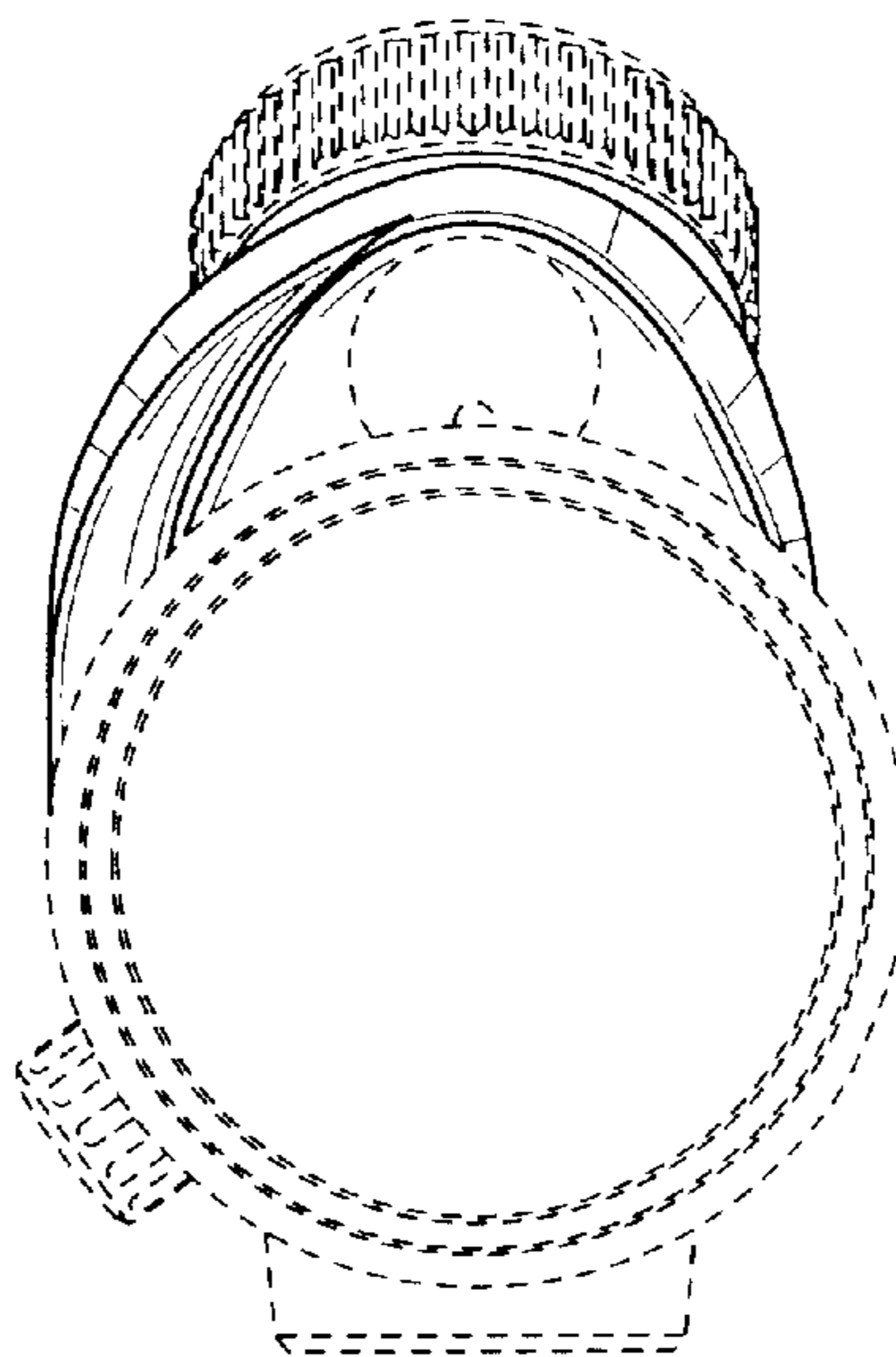


FIG. 7

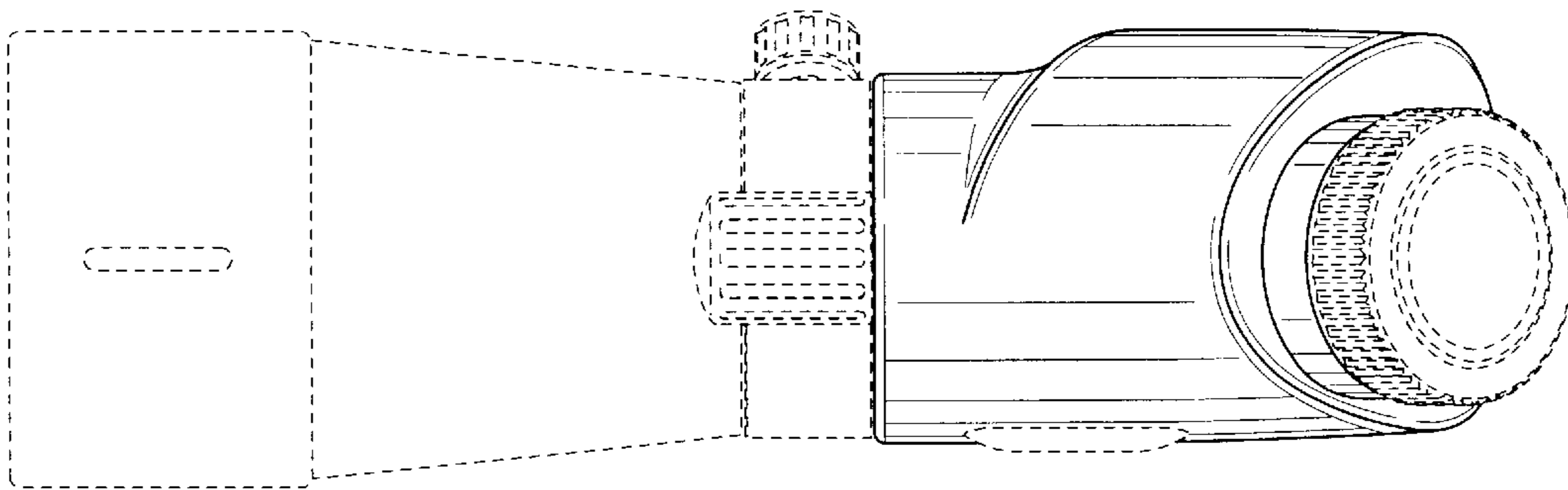


FIG. 8

