

US00D508251S

(12) **United States Design Patent**
Tuccinardi et al.

(10) **Patent No.: US D508,251 S**
(45) **Date of Patent: ** Aug. 9, 2005**

(54) **MOUNTED CAMERA BRACKET**
(75) Inventors: **Eugene M. Tuccinardi**, Temecula, CA
(US); **Ernesto R. Haack**, Perris, CA
(US); **Roel C. Espina**, Redlands, CA
(US)

(73) Assignee: **Timely Innovations, LP**, Temecula, CA
(US)

(**) Term: **14 Years**

(21) Appl. No.: **29/203,603**

(22) Filed: **Apr. 15, 2004**

(51) **LOC (8) Cl.** **16-06**

(52) **U.S. Cl.** **D16/132**

(58) **Field of Search** D16/242, 244,
D16/245, 200, 214, 219, 235, 237, 240,
250, 136; 248/215, 178.1, 311.2, 185.1,
240.1, 184.1, 291.1; 206/820; 224/255,
181, 257, 270; 297/464; 568/43; 504/161,
348; 396/420; 384/42; D8/382

(56) **References Cited**

U.S. PATENT DOCUMENTS

2,480,479 A * 8/1949 Keleher 248/215
2,651,981 A * 9/1953 Calhoun 396/420
3,328,078 A * 6/1967 Whitley, Jr. 297/464

3,608,794 A * 9/1971 Mazure 224/255
3,870,209 A * 3/1975 Mazur 224/255
D236,232 S * 8/1975 Kleinerman D16/136
4,738,423 A * 4/1988 DiFilippo et al. 248/311.2
5,538,212 A * 7/1996 Kennedy 248/215
D376,380 S * 12/1996 Yang et al. D16/242
5,681,116 A * 10/1997 Lin 384/42

* cited by examiner

Primary Examiner—Paula A. Greene

(74) *Attorney, Agent, or Firm*—Knobbe, Martens, Olson &
Bear, LLP

(57) **CLAIM**

The ornamental design for a mounted camera bracket, as
shown and described.

DESCRIPTION

FIG. 1 is a right front perspective view of a bracket of the
present design;

FIG. 2 is a front view of the bracket of FIG. 1;

FIG. 3 is a back view of the bracket of FIG. 1;

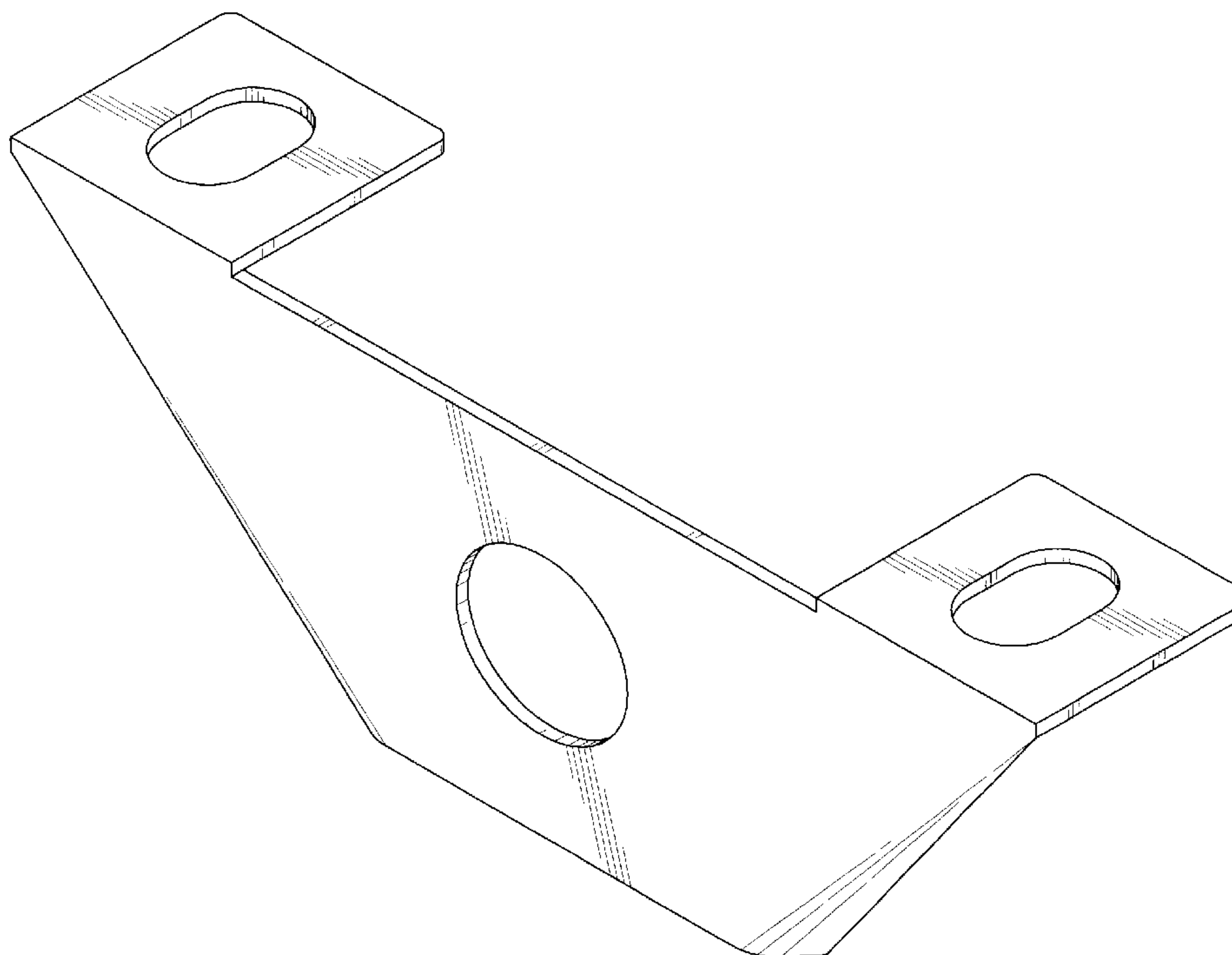
FIG. 4 is a left side elevational view of the bracket of FIG.
1;

FIG. 5 is a right side elevational view of the bracket of FIG.
1;

FIG. 6 is a top view of the bracket of FIG. 1; and,

FIG. 7 is a bottom view of the bracket of FIG. 1.

1 Claim, 4 Drawing Sheets



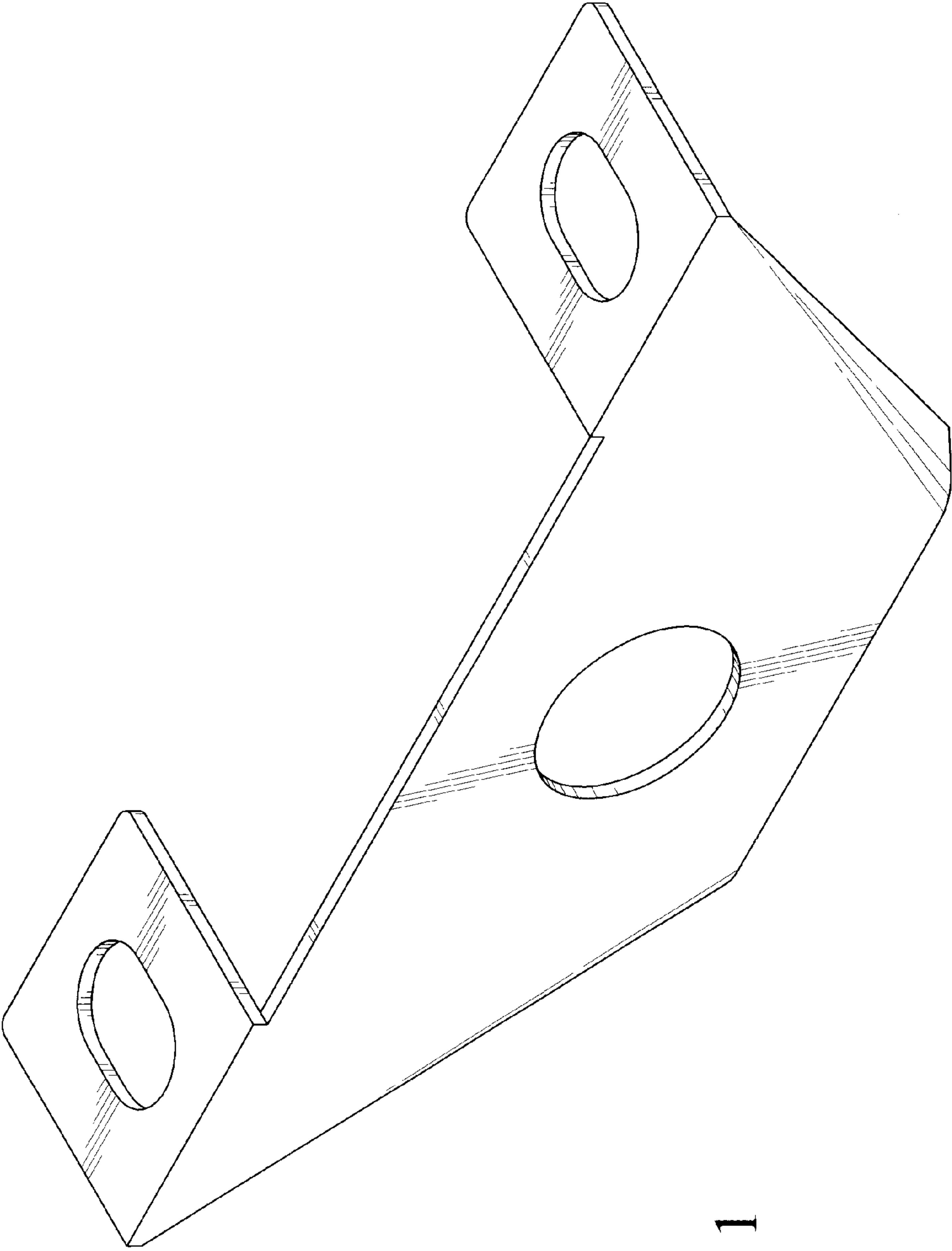


FIG. 1

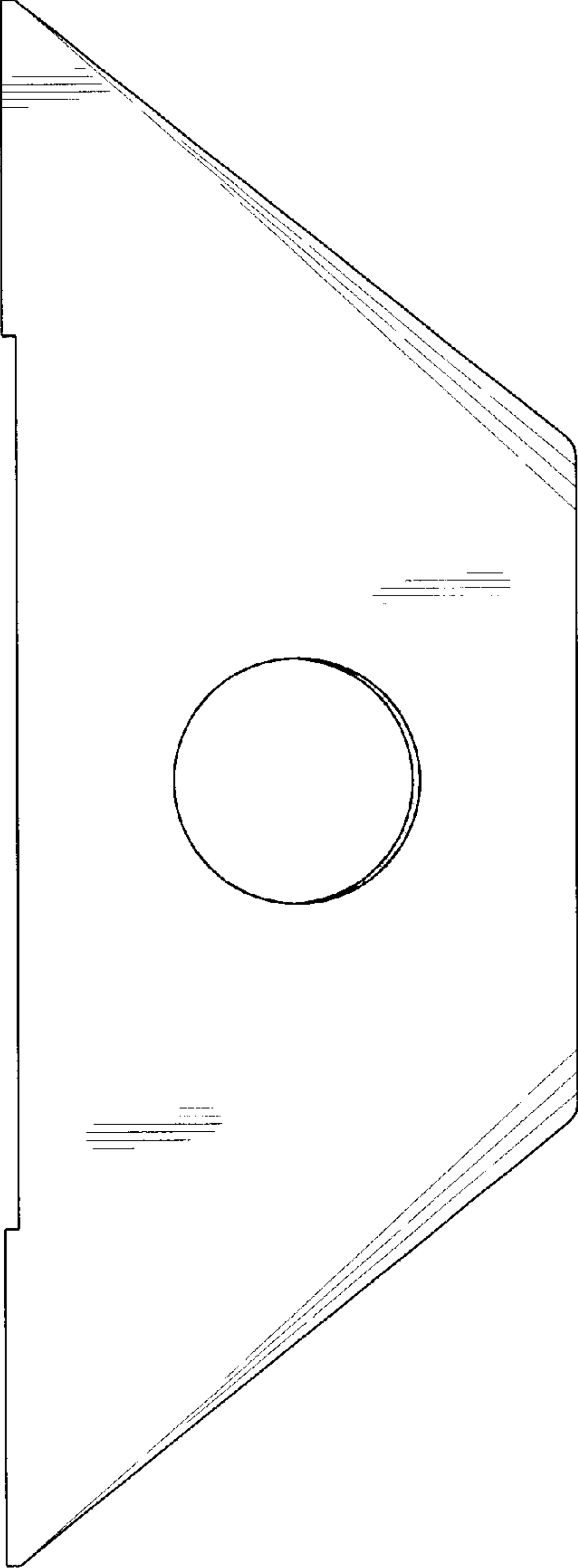


FIG. 2

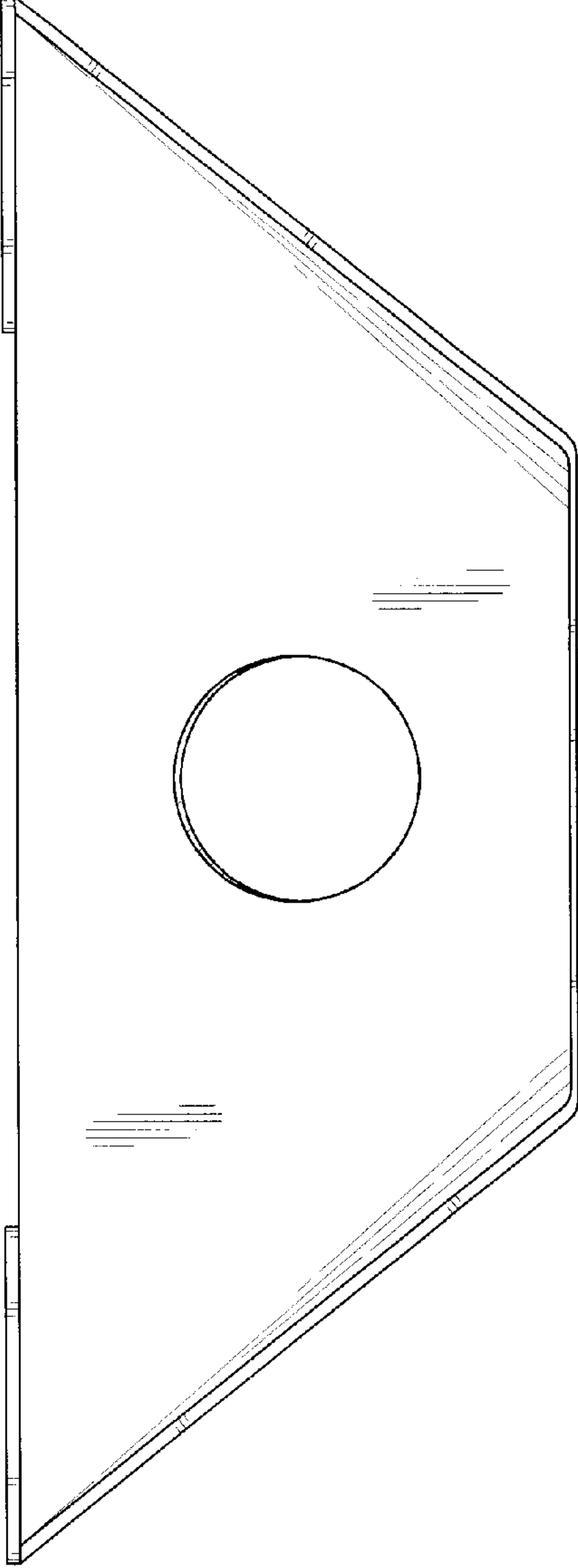


FIG. 3

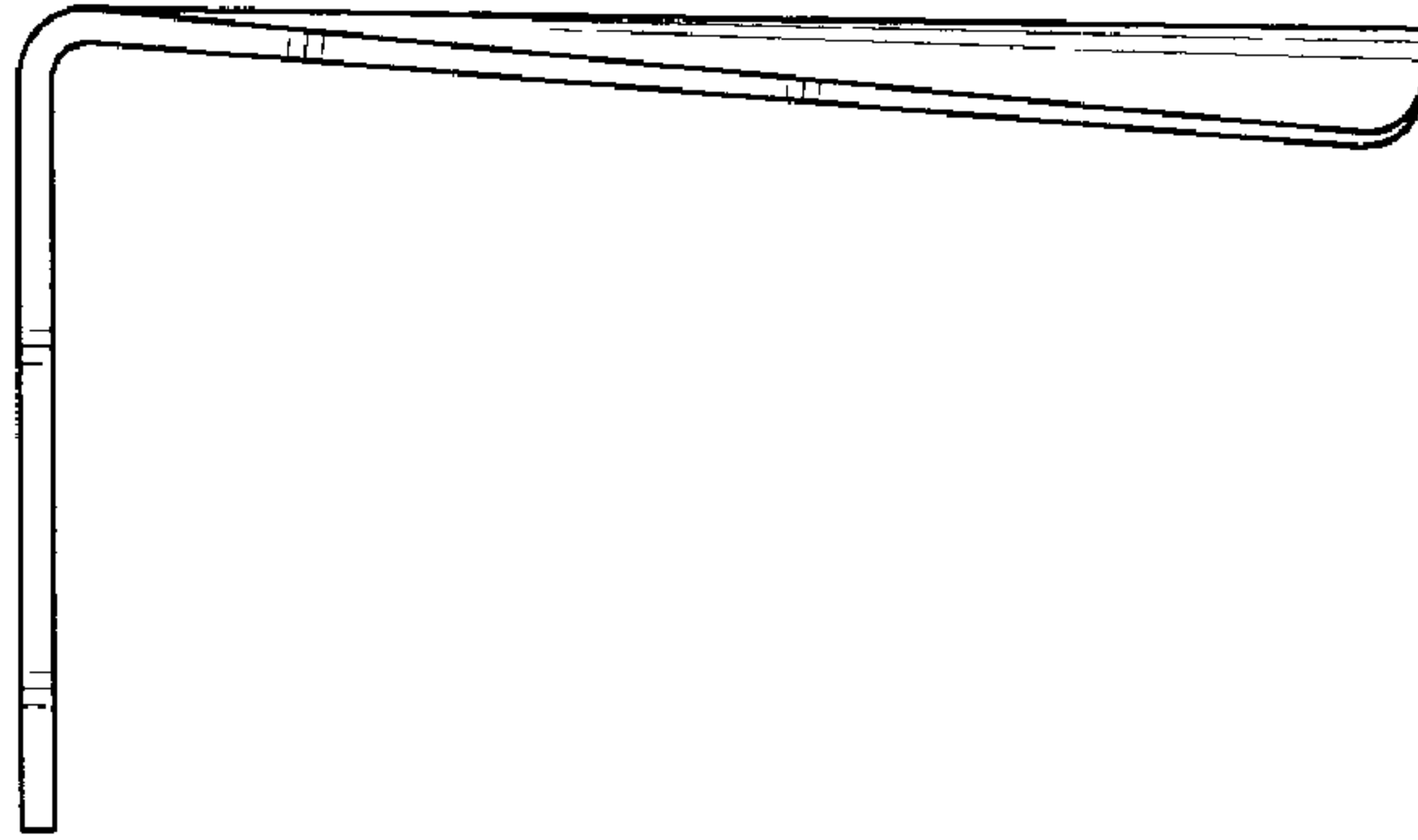


FIG. 5



FIG. 4

FIG. 6

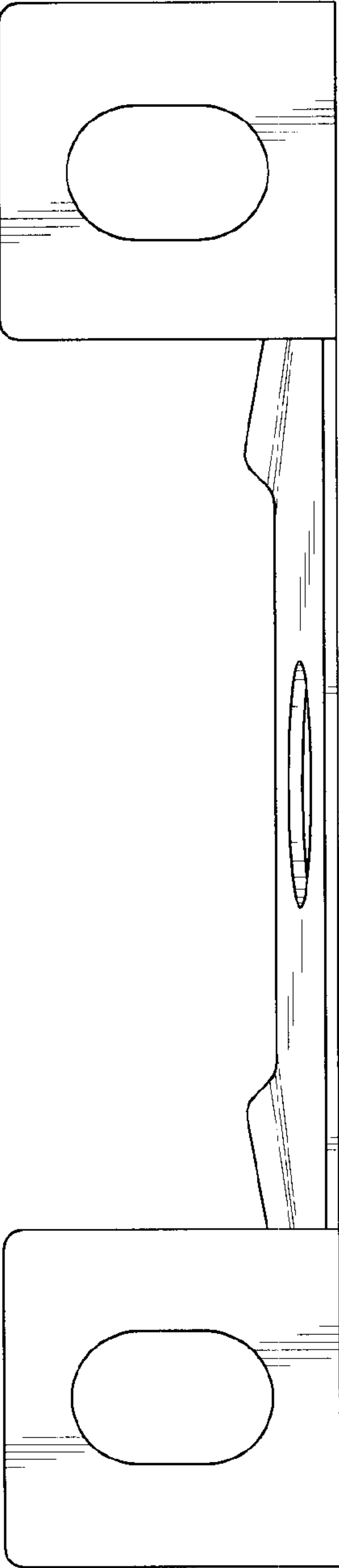


FIG. 7

