

US00D508250S

(12) **United States Design Patent**
Wu

(10) **Patent No.:** **US D508,250 S**
(45) **Date of Patent:** **** Aug. 9, 2005**

(54) **TILE CUTTER**

(75) **Inventor:** **Shuming Wu, Jiangsu (CN)**

(73) **Assignee:** **Nanjing Chervon Industry Co., Ltd., Jiangsu (CN)**

(**) **Term:** **14 Years**

(21) **Appl. No.:** **29/210,130**

(22) **Filed:** **Jul. 28, 2004**

(30) **Foreign Application Priority Data**

Feb. 5, 2004 (CN) 2004300160775

(51) **LOC (8) Cl.** **15-09**

(52) **U.S. Cl.** **D15/133**

(58) **Field of Search** D15/133; 83/169, 83/450, 468.7, 477.2, 478, 522.3, 522.1, 432, 435, 477; 269/318, 166, 180; 125/13.01

(56) **References Cited**

U.S. PATENT DOCUMENTS

- D354,757 S * 1/1995 Wixey D15/133
- D400,896 S * 11/1998 Hepworth D15/133
- D453,345 S * 2/2002 Chen D15/133

- 6,360,797 B1 * 3/2002 Brazell et al. 83/477.2
- 6,439,218 B1 * 8/2002 Hulett 125/13.01
- D479,539 S * 9/2003 Chen D15/133
- D492,706 S * 7/2004 Hepworth D15/133

* cited by examiner

Primary Examiner—Antoine D. Davis

(74) *Attorney, Agent, or Firm*—Lowe Hauptman & Berner, LLP

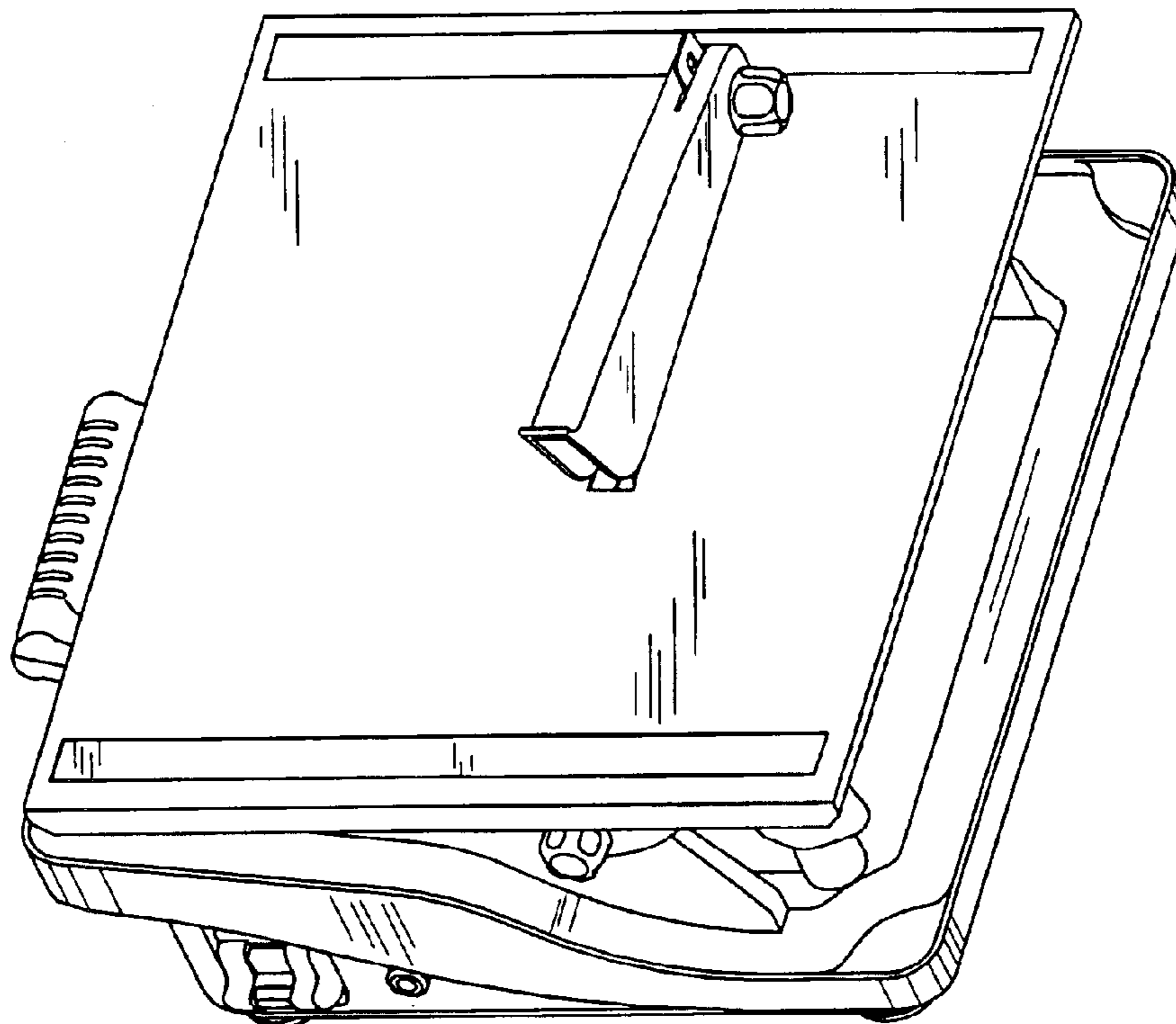
(57) **CLAIM**

The ornamental design for tile cutter, as shown and described.

DESCRIPTION

FIG. 1 is a front elevational view of the design; FIG. 2 is a rear elevational view of the tile cutter in FIG. 1; FIG. 3 is a right side elevational view of the tile cutter in FIG. 1; FIG. 4 is a left side elevational view of the tile cutter in FIG. 1; FIG. 5 is a bottom plan view of the tile cutter in FIG. 1; FIG. 6 is a top plan view of the tile cutter in FIG. 1; and, FIG. 7 is a perspective view of the tile cutter in FIG. 1.

1 Claim, 5 Drawing Sheets



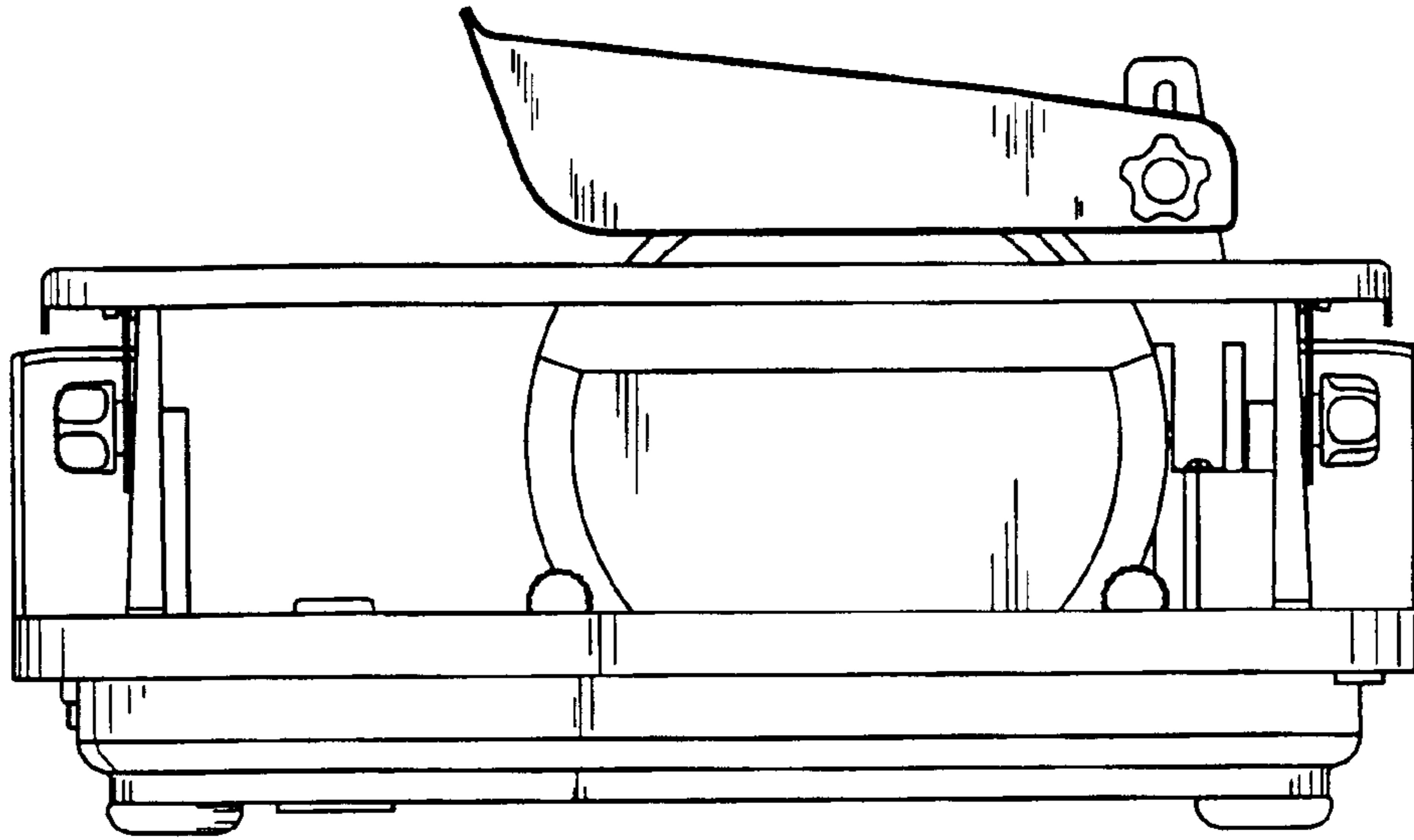


FIG. 1

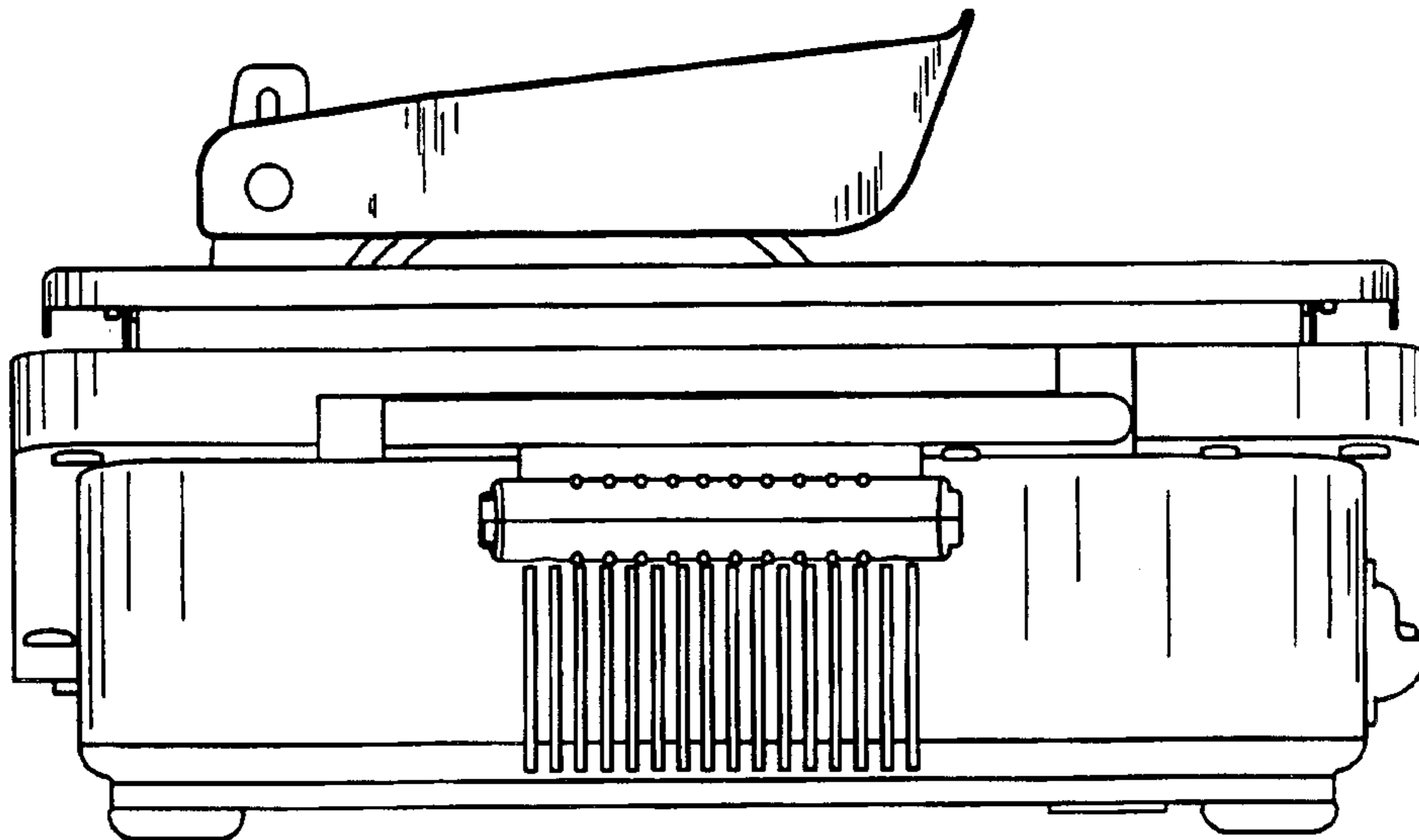


FIG. 2

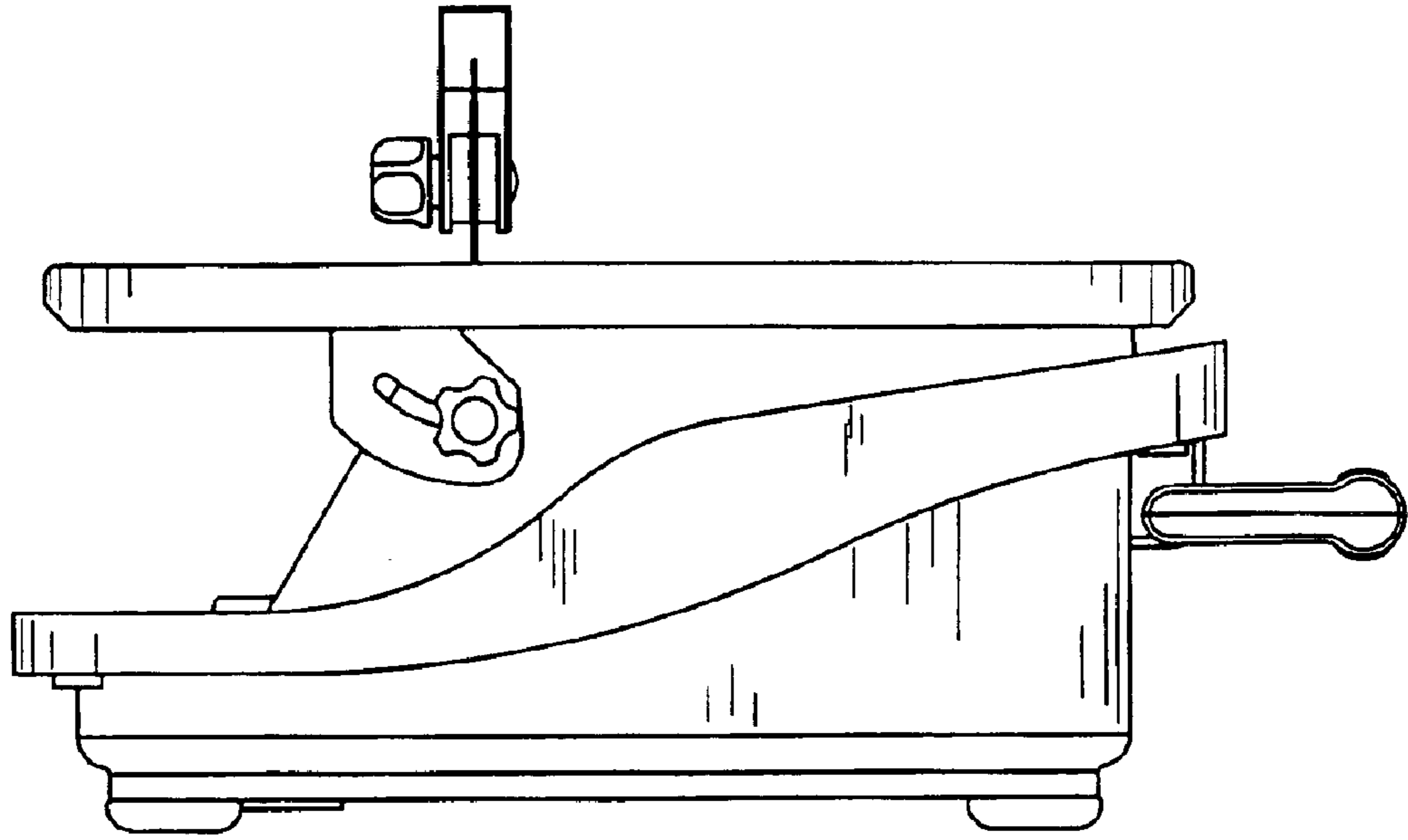


FIG. 3

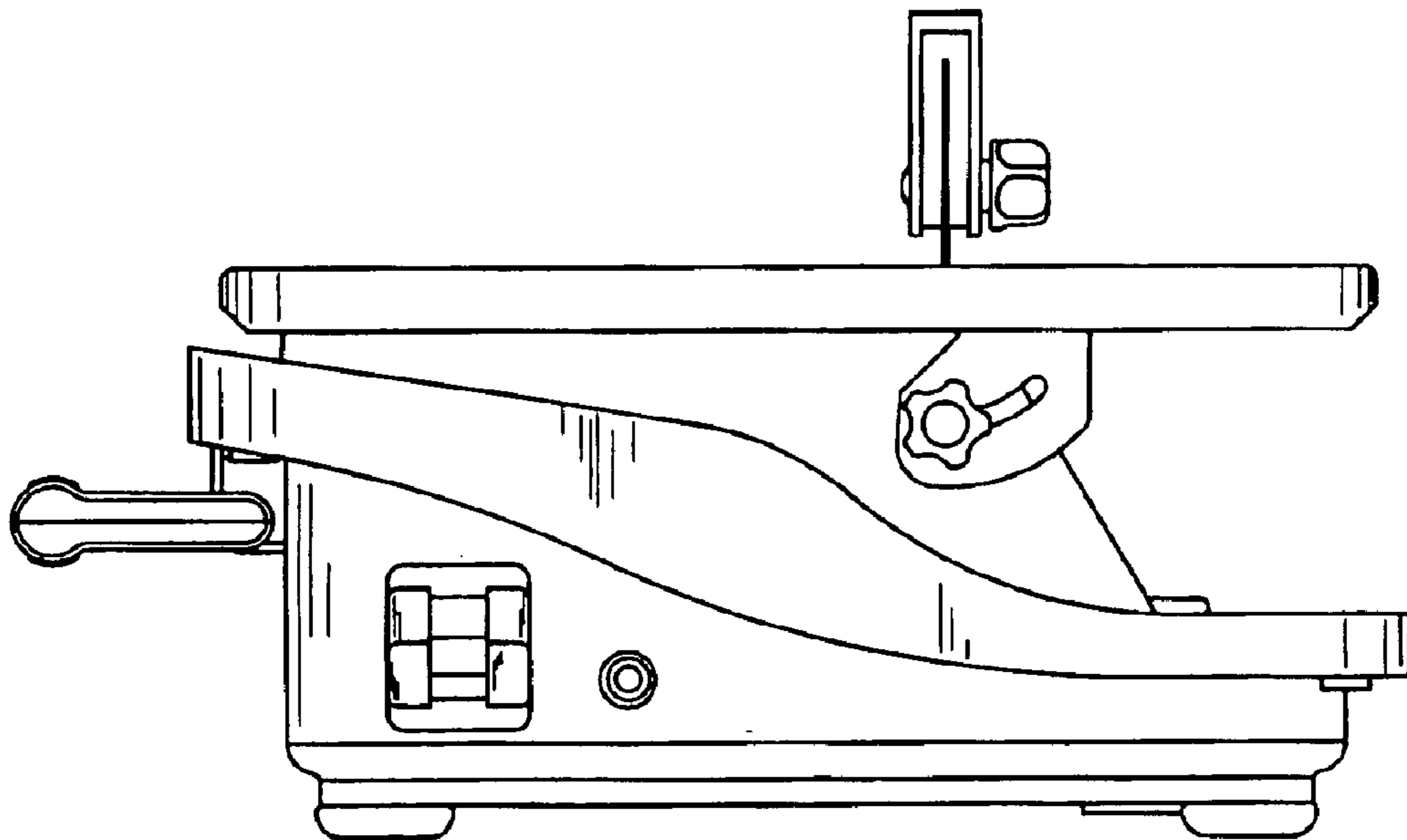


FIG. 4

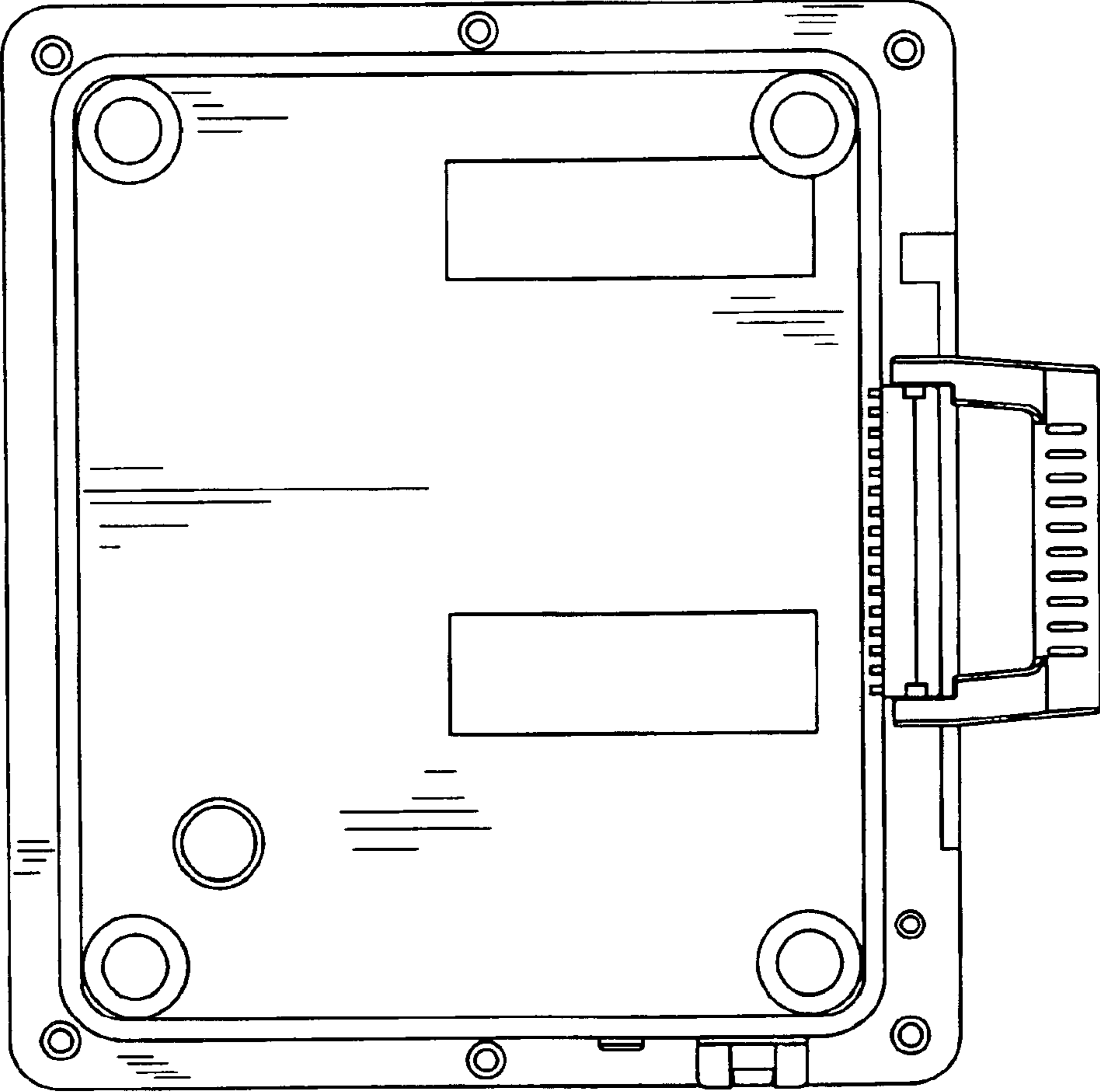


FIG. 5

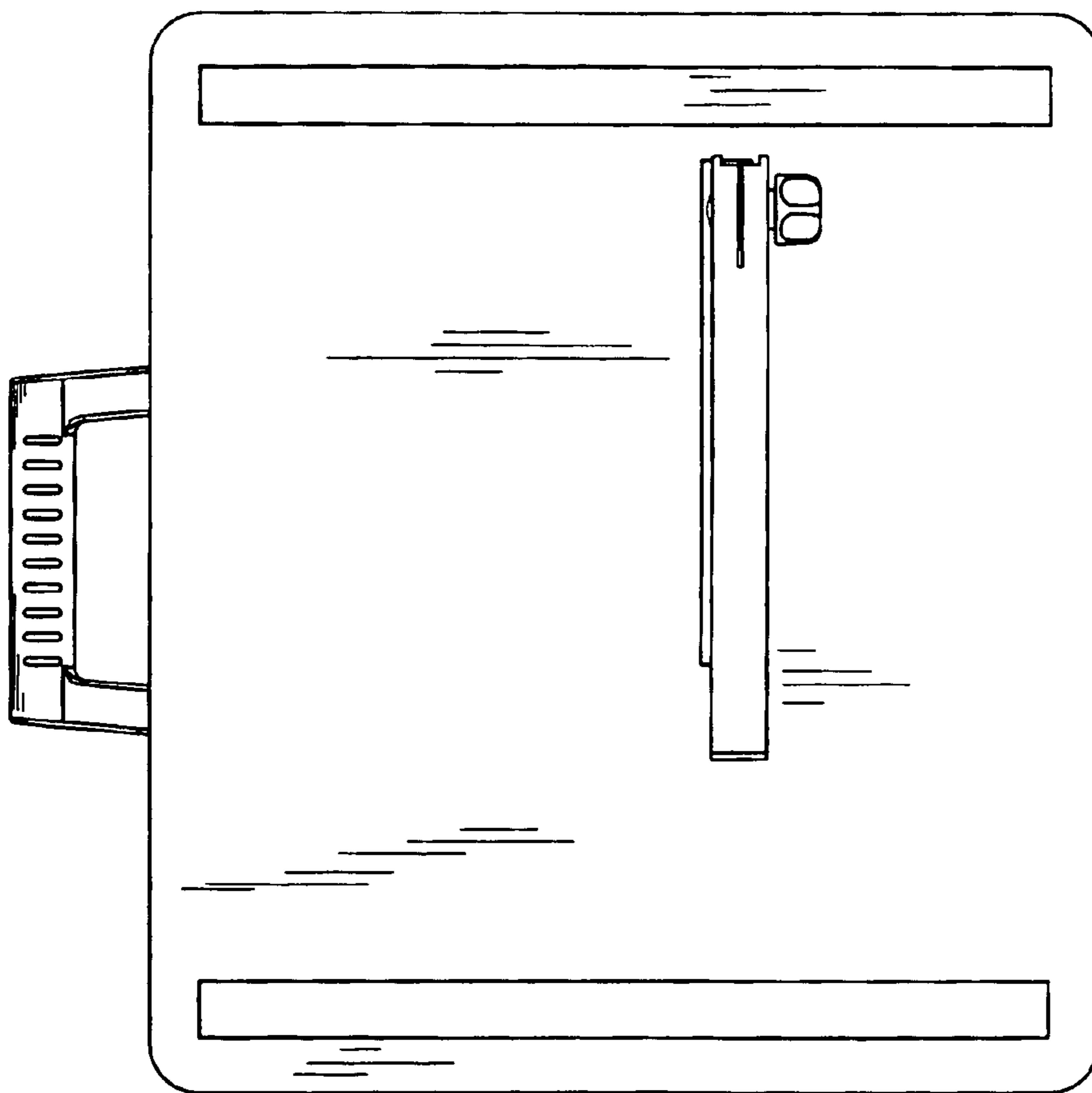


FIG. 6

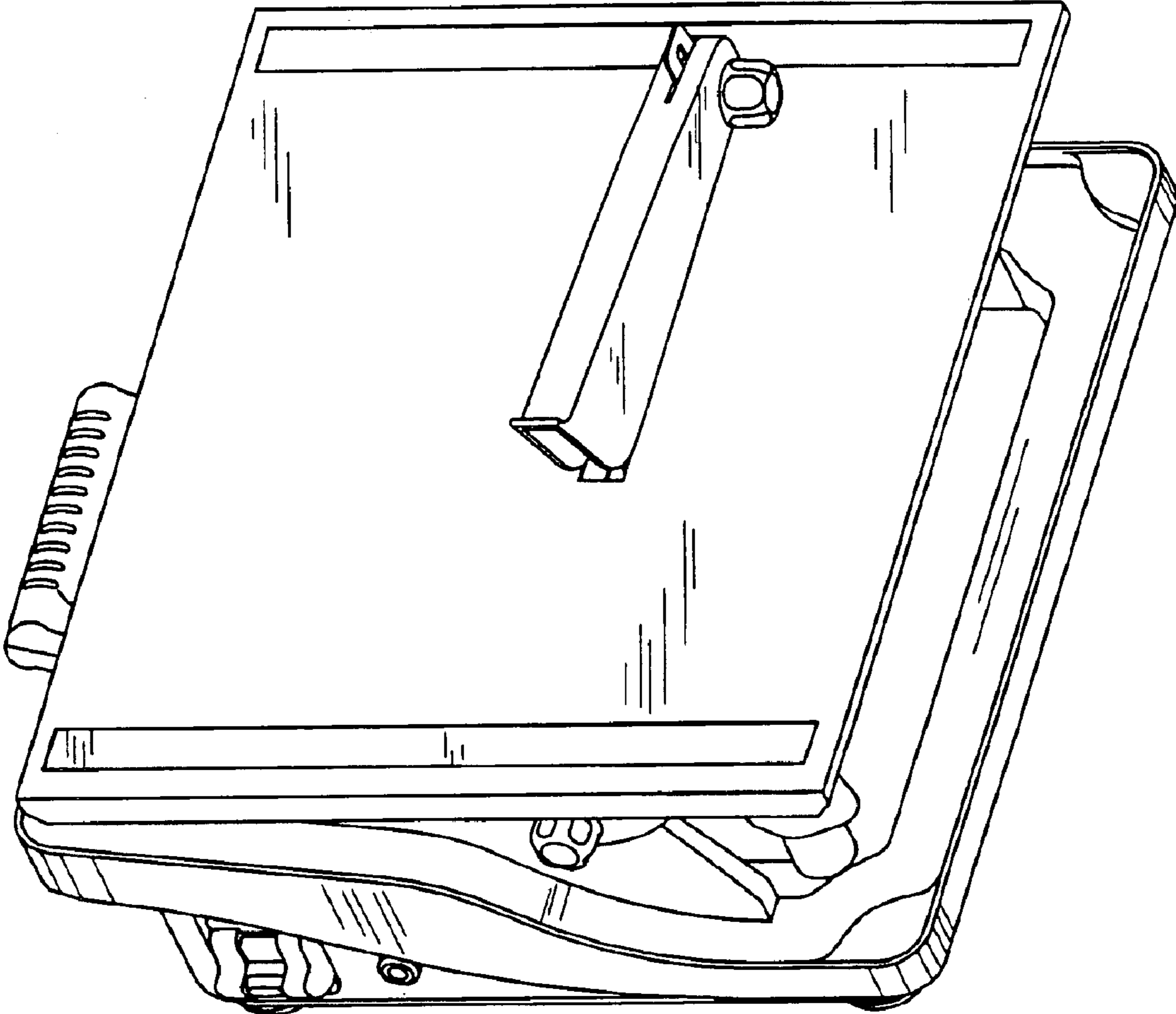


FIG. 7