

US00D508237S

(12) **United States Design Patent**
Shing

(10) **Patent No.:** **US D508,237 S**

(45) **Date of Patent:** **** Aug. 9, 2005**

(54) **DISTRIBUTION HOUSING**

(76) **Inventor:** **Yuen Kim Shing**, Kia, Hung to
Commercial Bldg., 357-359 Lockhart
Rd., Wan Chai (HK)

(**) **Term:** **14 Years**

(21) **Appl. No.:** **29/205,536**

(22) **Filed:** **May 17, 2004**

(51) **LOC (8) Cl.** **13-03**

(52) **U.S. Cl.** **D13/184**

(58) **Field of Search** D13/184; 174/50,
174/52.1; 200/19.06; 361/600, 601, 679,
724, 796; 381/18, 77; 455/3.1, 3.03

(56) **References Cited**

U.S. PATENT DOCUMENTS

4,002,836	A *	1/1977	Gardner	381/18
4,105,865	A *	8/1978	Guillory	381/77
4,196,314	A *	4/1980	Guillory	381/18
6,019,167	A *	2/2000	Bishop et al.	165/104.33
6,618,268	B2 *	9/2003	Dibene et al.	361/787

* cited by examiner

Primary Examiner—Stella Reid
Assistant Examiner—Selina Sikder

(74) *Attorney, Agent, or Firm*—Malloy & Malloy, P.A.

(57) **CLAIM**

The ornamental design for distribution housing, as shown and described.

DESCRIPTION

FIG. 1 is a top perspective view illustrating my design for a distribution housing;

FIG. 2 is a side view thereof;

FIG. 3 is a left end view thereof;

FIG. 4 is a top view thereof;

FIG. 5 is a right end view thereof;

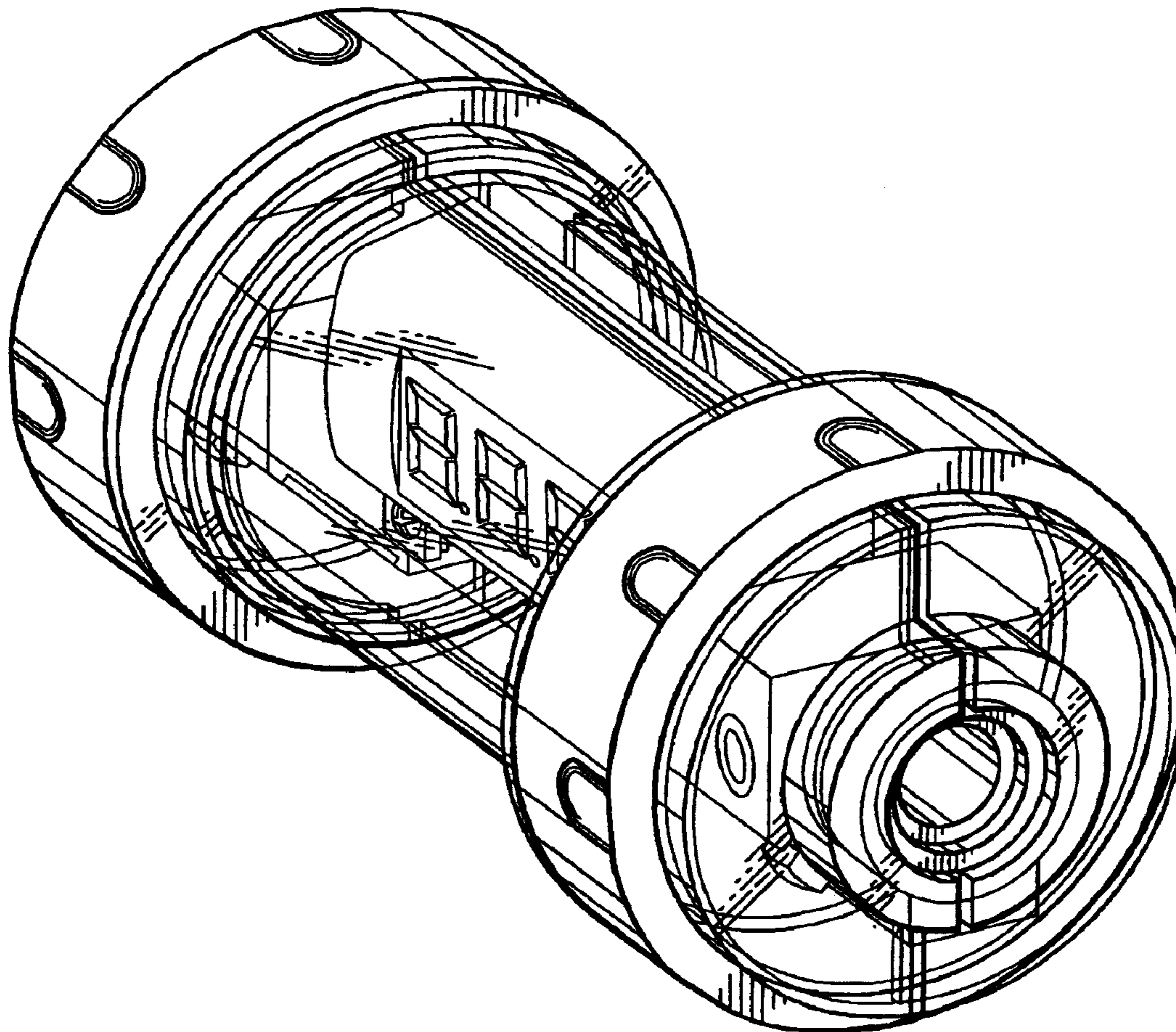
FIG. 6 is a bottom view thereof;

FIG. 7 is a rear view thereof; and,

FIG. 8 is a perspective view in partial phantom and exploded form thereof.

The broken line showing of the environment is for illustrative purpose only and forms no part of the claimed design.

1 Claim, 5 Drawing Sheets



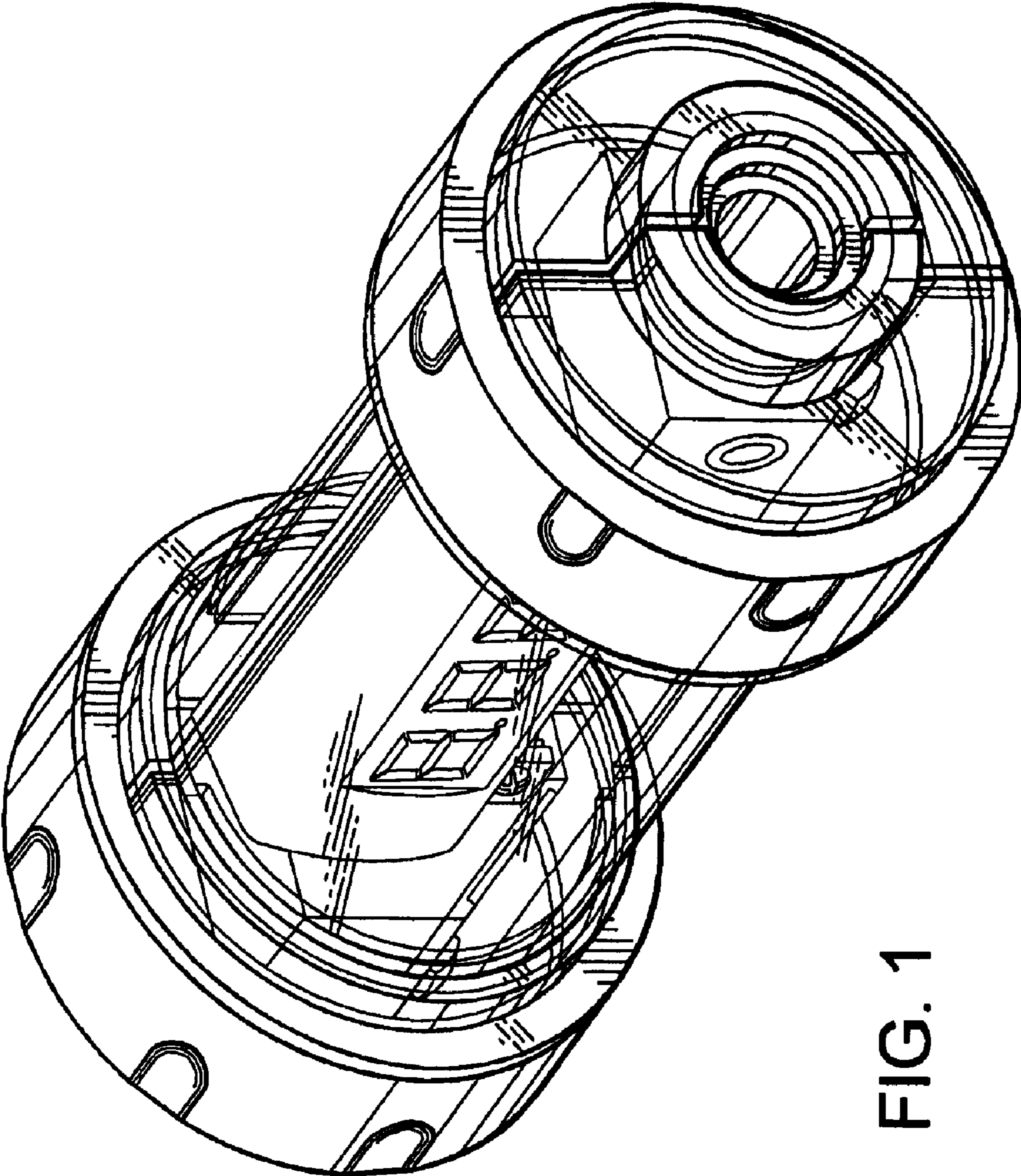


FIG. 1

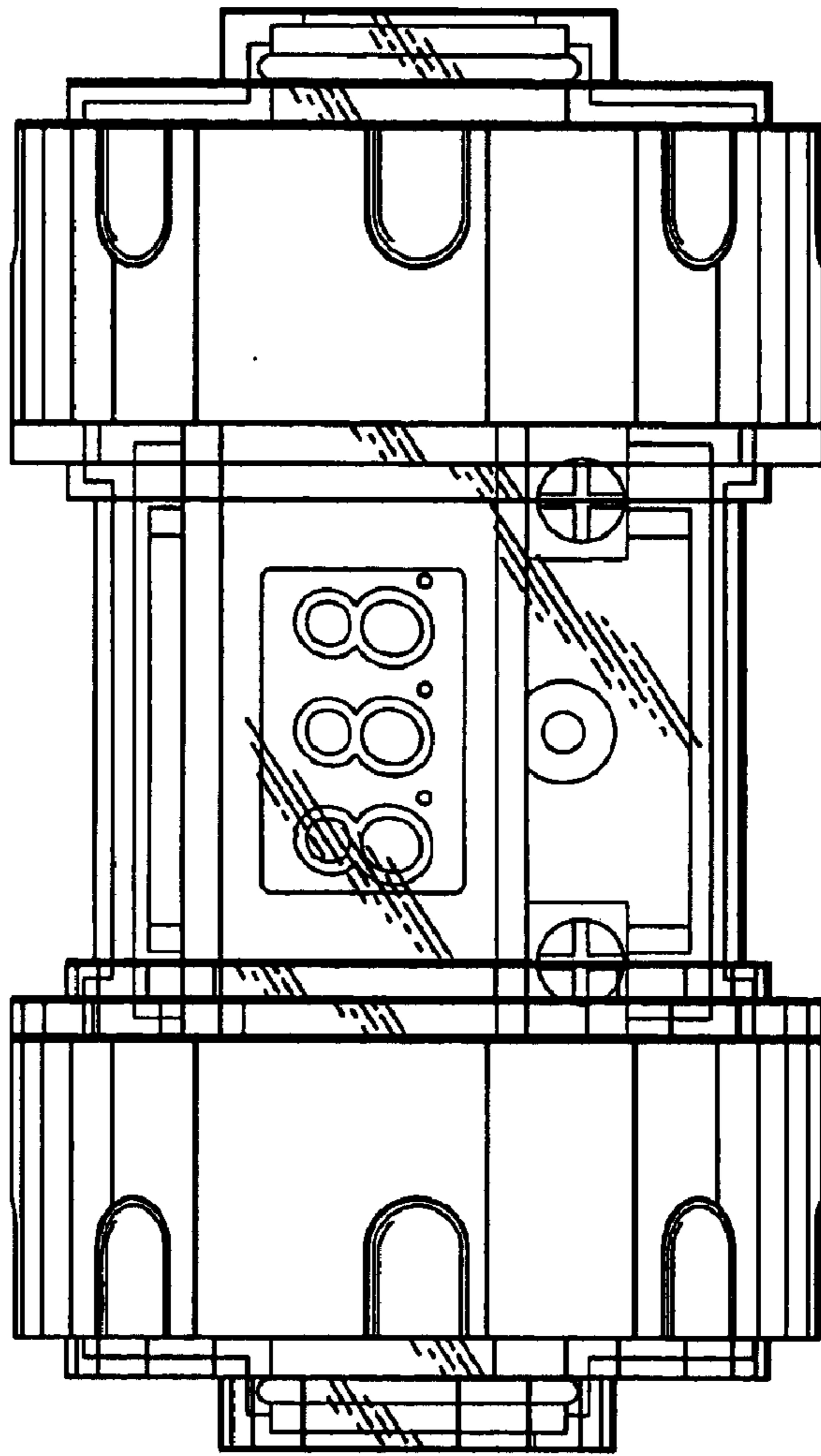


FIG. 2

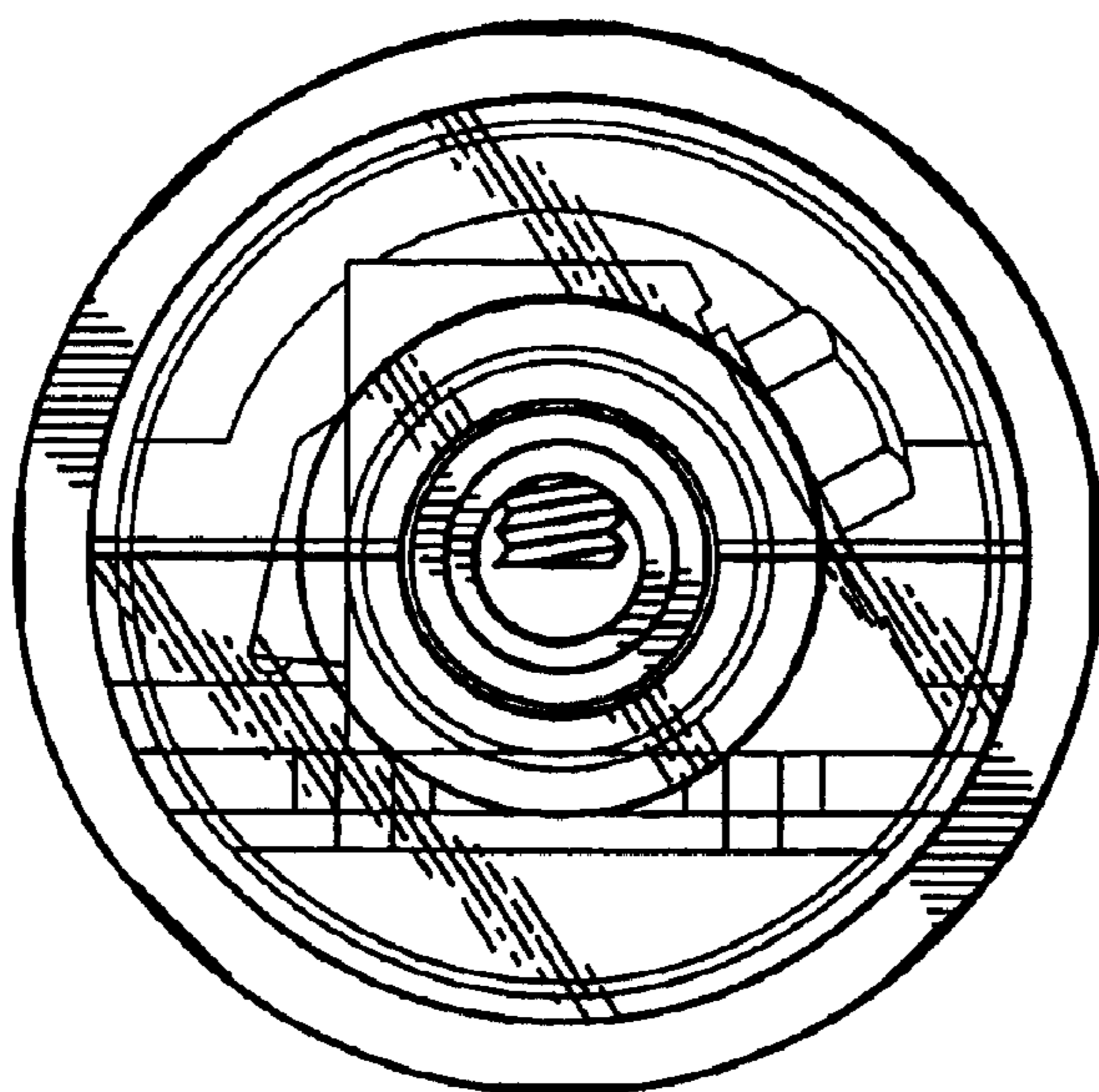


FIG. 3

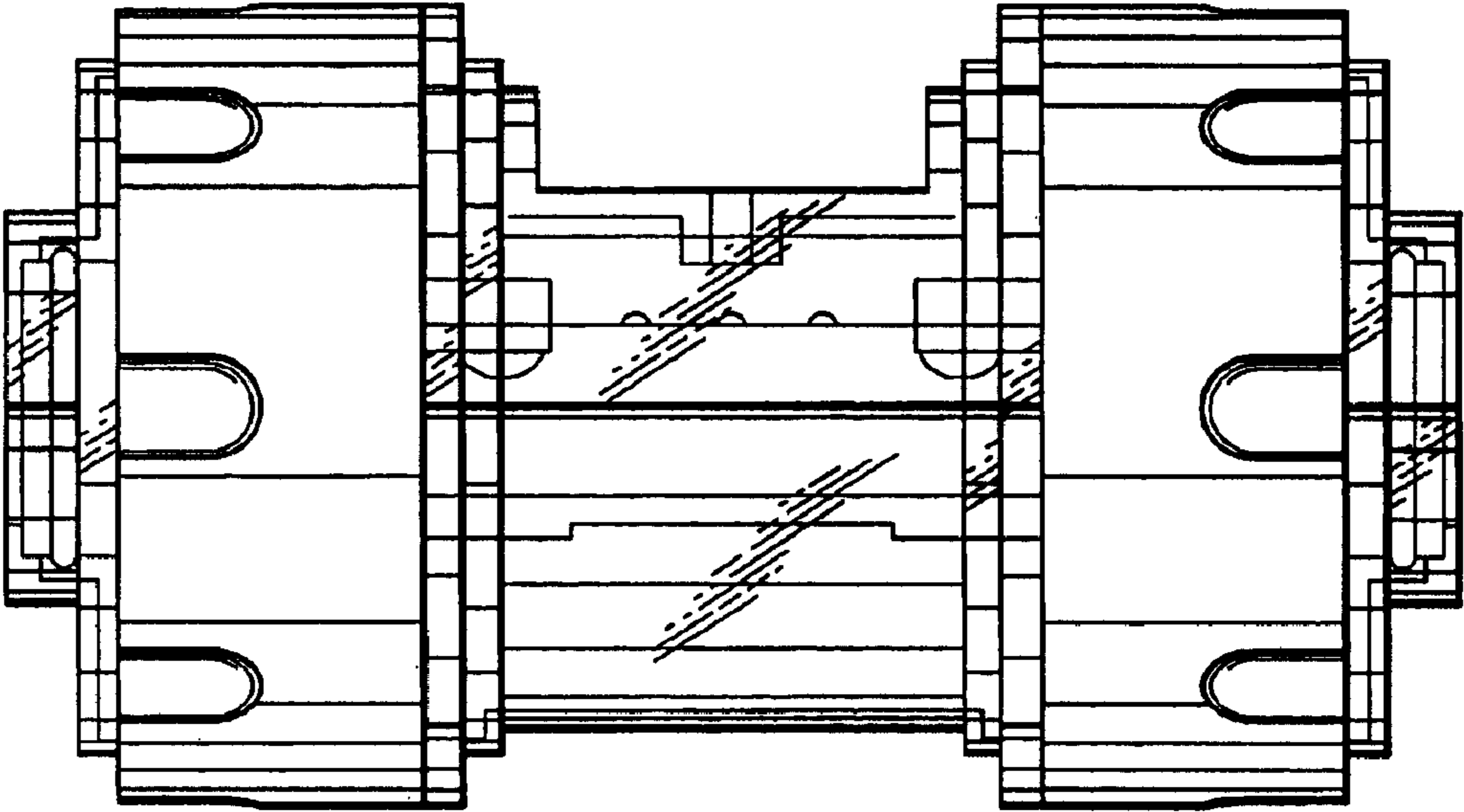


FIG. 4

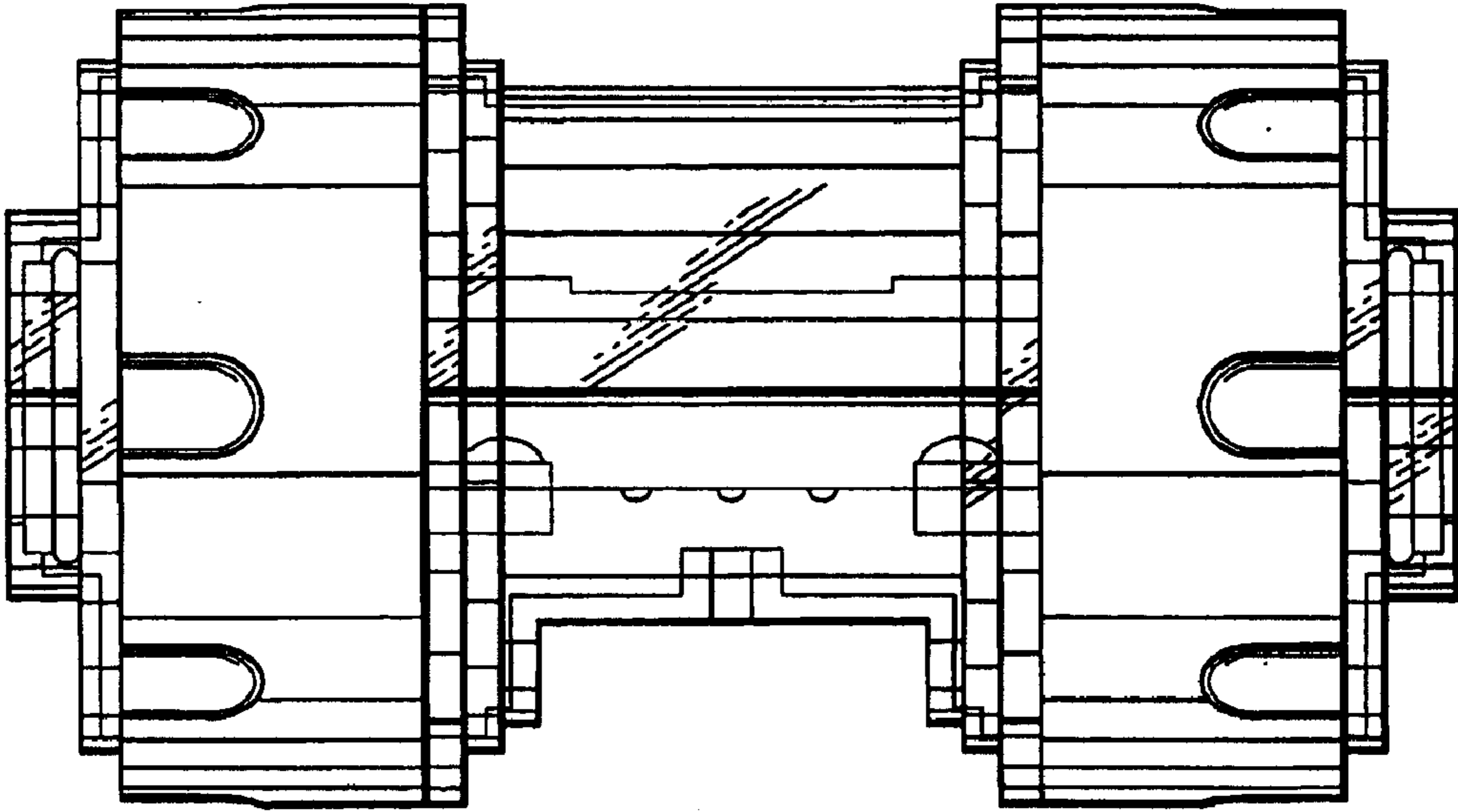


FIG. 6

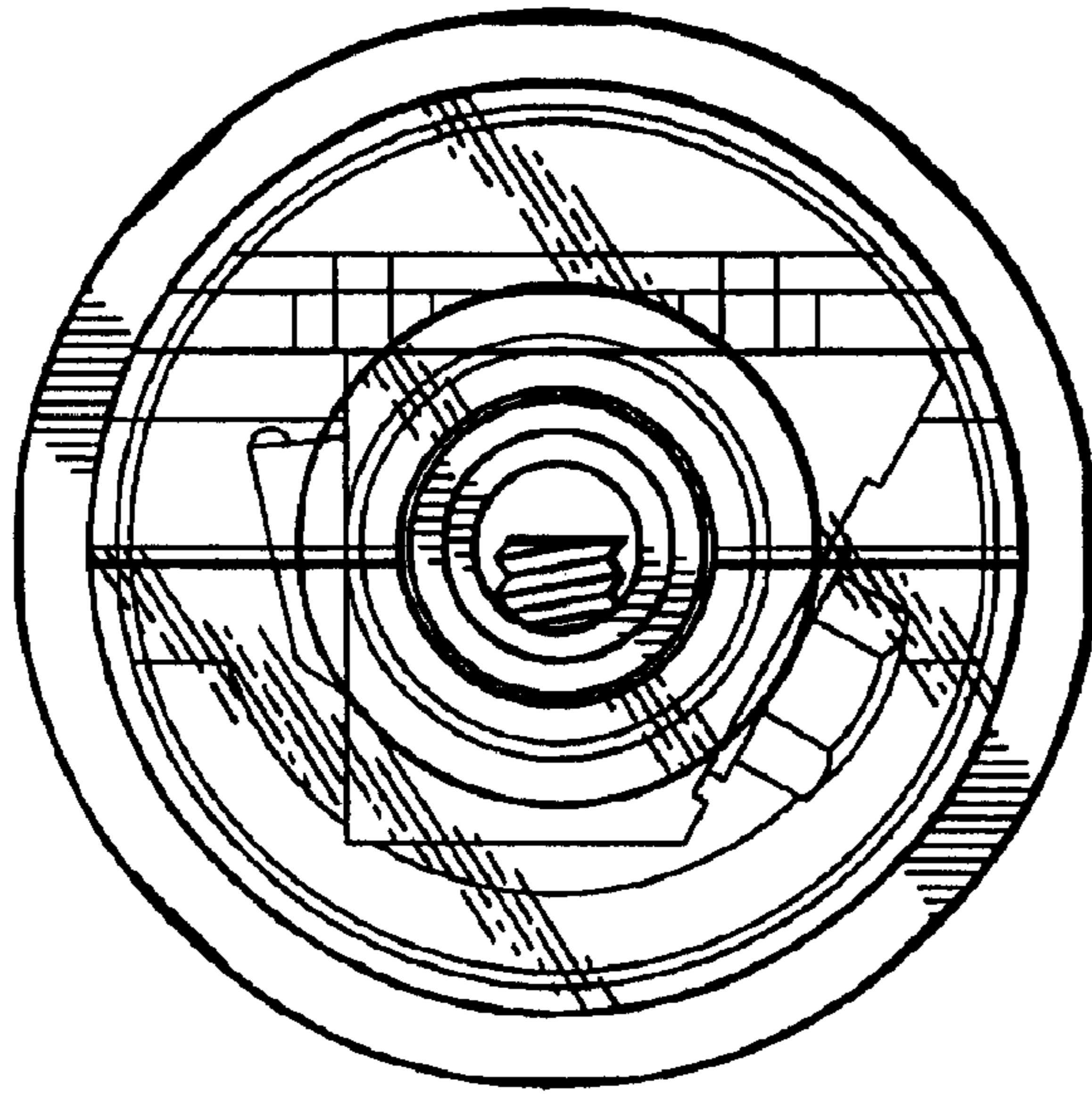


FIG. 5

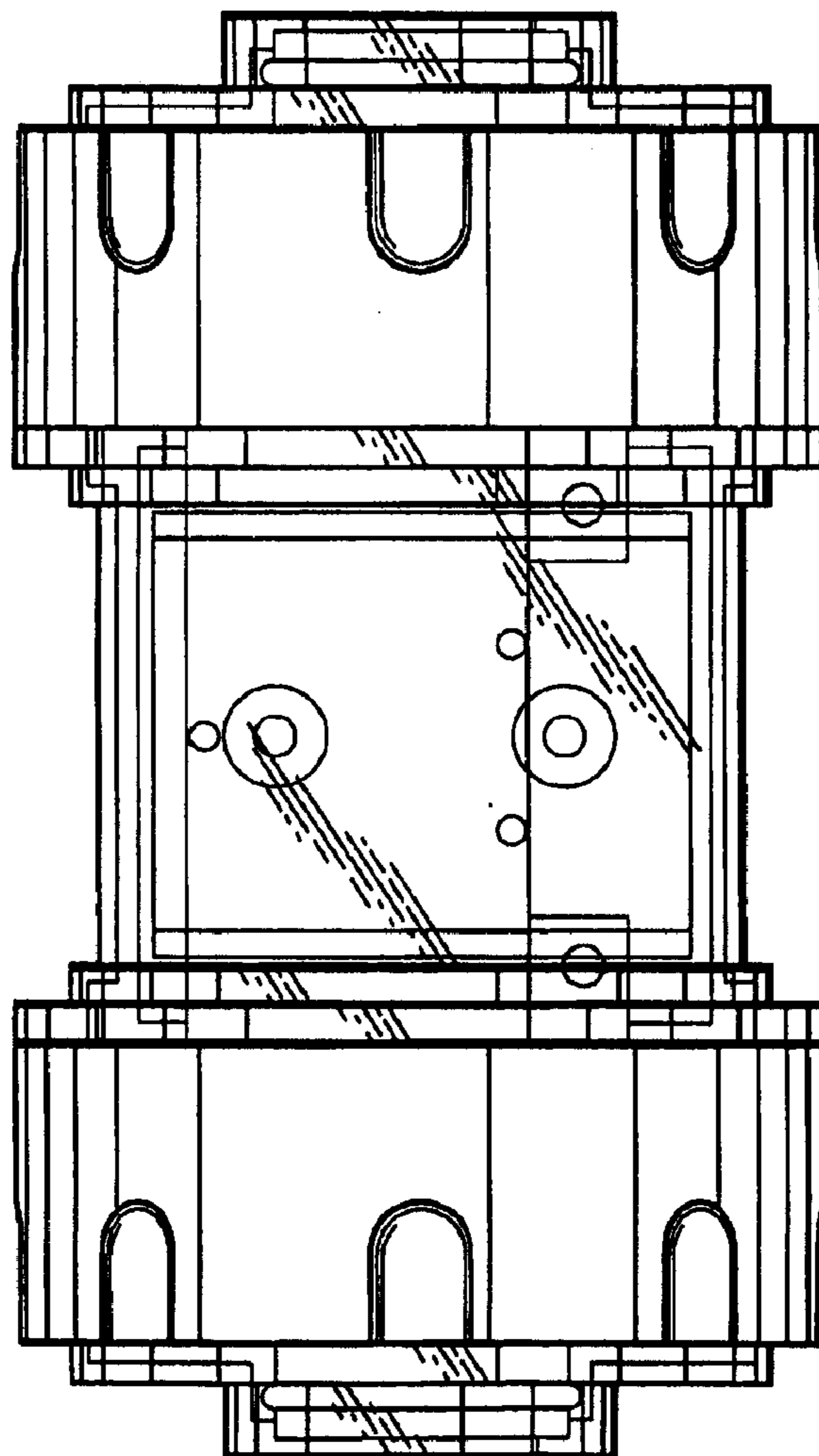


FIG. 7

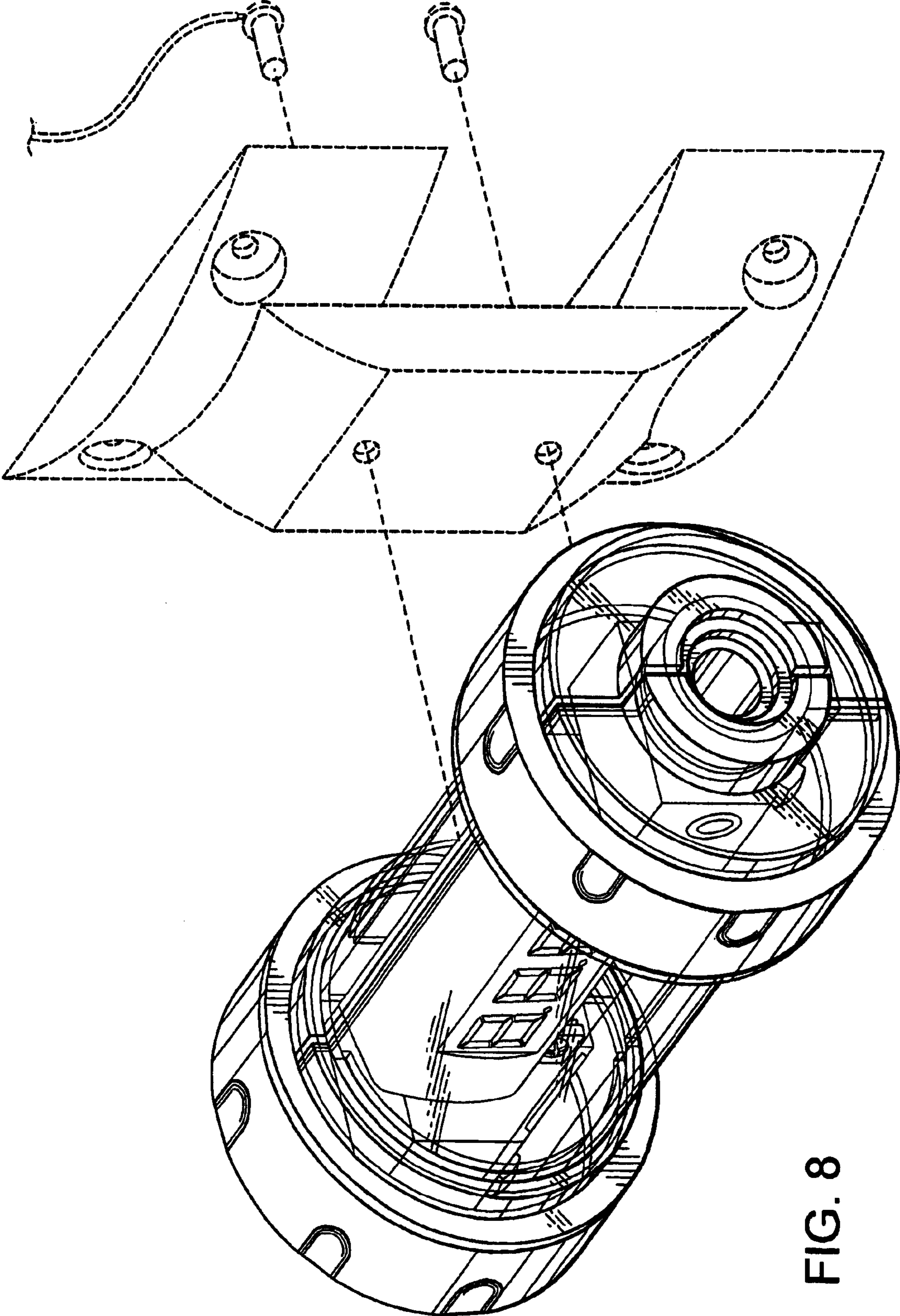


FIG. 8