

US00D508236S

(12) **United States Design Patent**  
**Duke et al.**

(10) **Patent No.:** **US D508,236 S**  
(45) **Date of Patent:** **\*\* Aug. 9, 2005**

(54) **PROTECTIVE CASING FOR ELECTRICAL OR ELECTRONIC APPARATUS**

(75) Inventors: **Alex J. Duke**, Weymouth (GB);  
**Matthew Stone**, Weymouth (GB);  
**Peter G. Shaw**, Weymouth (GB);  
**David C. Ford**, Weymouth (GB);  
**Julian Aspey**, Weymouth (GB)

(73) Assignee: **Qinetiq Limited** (GB)

(\*\*) Term: **14 Years**

(21) Appl. No.: **29/189,436**

(22) Filed: **Sep. 5, 2003**

(30) **Foreign Application Priority Data**

Mar. 5, 2003 (GB) ..... 3011349

(51) **LOC (8) Cl.** ..... **13-03**

(52) **U.S. Cl.** ..... **D13/184**

(58) **Field of Search** ..... D13/184; 174/50,  
174/52.1; 220/4.02; 361/679, 724, 796;  
D23/202

(56) **References Cited**

**U.S. PATENT DOCUMENTS**

4,858,068 A \* 8/1989 Bitller et al. .... 361/679

5,072,846 A \* 12/1991 Portwood ..... 220/3.3  
5,105,337 A \* 4/1992 Bitller et al. .... 361/722  
D354,739 S \* 1/1995 Durham et al. .... D13/184  
5,865,332 A \* 2/1999 Lischvnsky et al. .... 220/4.02  
6,118,662 A \* 9/2000 Hutchison et al. .... 361/704  
6,507,494 B1 \* 1/2003 Hutchison et al. .... 361/704  
2004/0173609 A1 \* 9/2004 Duke et al. .... 220/4.02

\* cited by examiner

*Primary Examiner*—Stella Reid

*Assistant Examiner*—Selina Sikder

(74) *Attorney, Agent, or Firm*—McDonnell Boehnen  
Hulbert & Berhogff LLP

(57) **CLAIM**

The ornamental design for a protective casing for electrical or electronic apparatus, as shown and described.

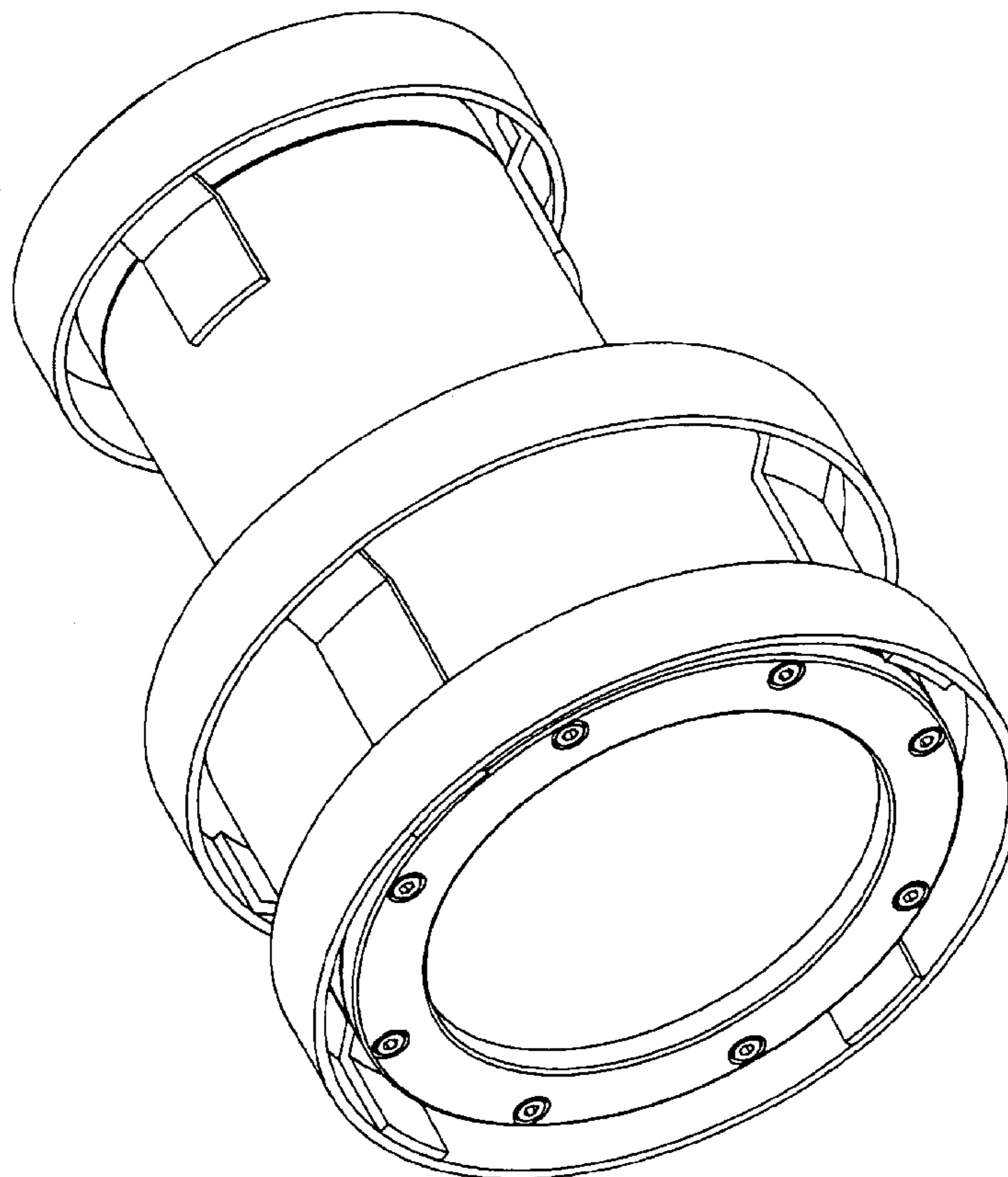
**DESCRIPTION**

FIG. 1 is a perspective view from below of a protective casing for electrical or electronic apparatus;

FIG. 2 is a side view of thereof; and,

FIG. 3 is a plan view thereof.

**1 Claim, 2 Drawing Sheets**



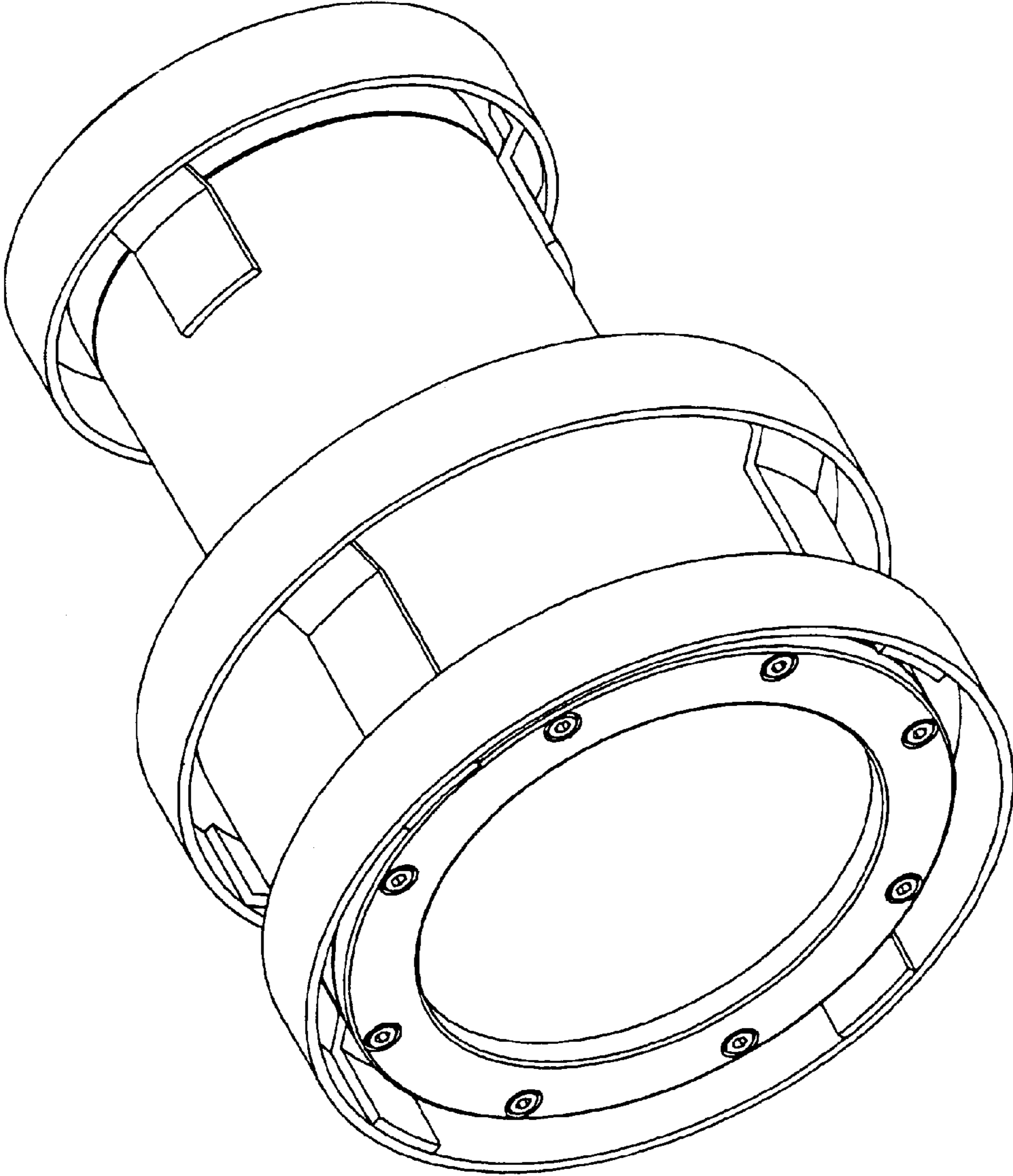


Fig. 1

Fig. 2

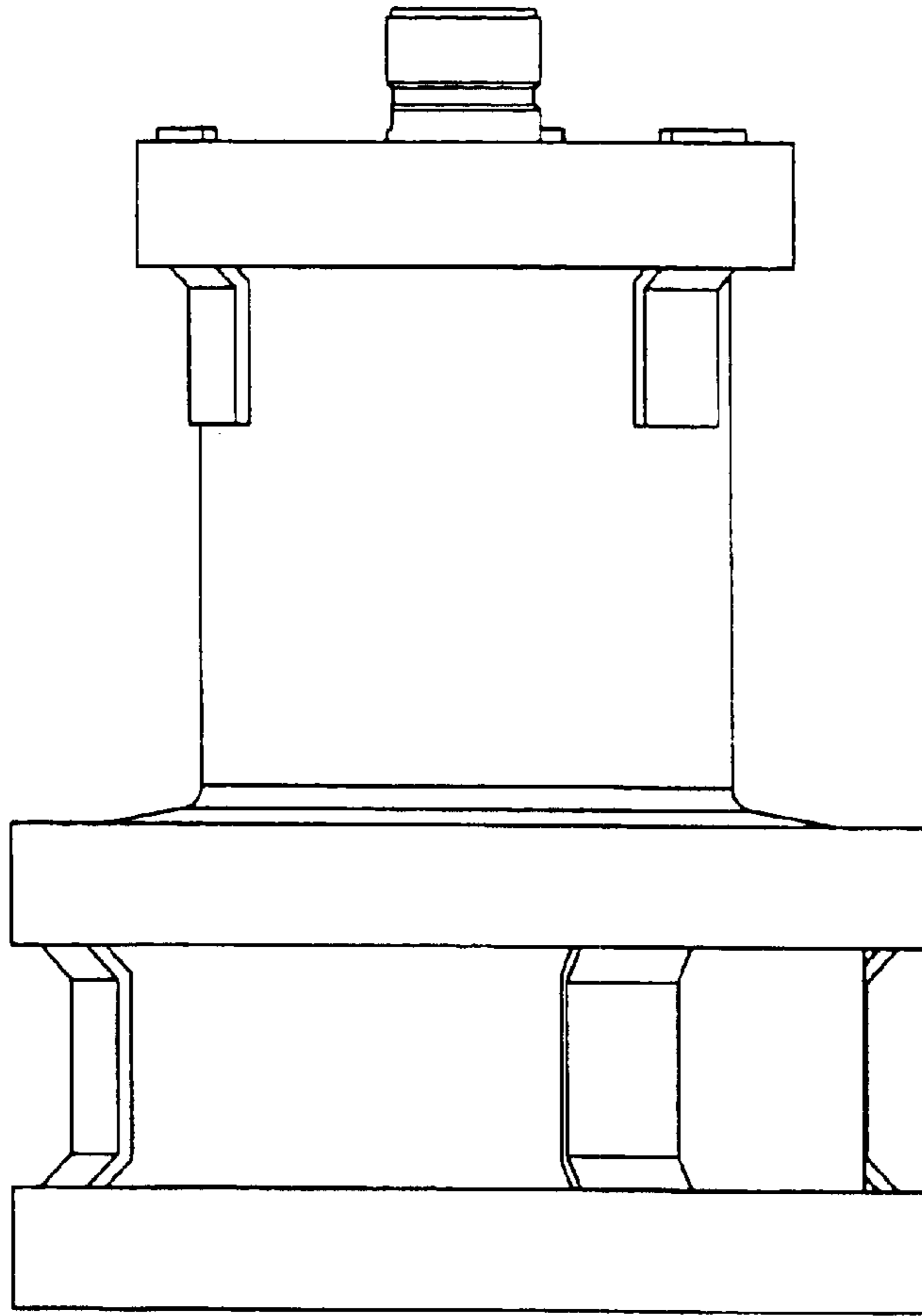


Fig. 3

