

US00D508233S

(12) **United States Design Patent** (10) **Patent No.:** **US D508,233 S**  
**Kasae et al.** (45) **Date of Patent:** **\*\* Aug. 9, 2005**

(54) **LIGHT EMITTING DIODE**

(75) Inventors: **Nobuhide Kasae**, Naka-gun (JP);  
**Tetsuya Yagi**, Anan (JP)

(73) Assignee: **Nichia Corporation** (JP)

(\*\*) Term: **14 Years**

D476,961 S \* 7/2003 Horiuchi et al. .... D13/182  
D477,579 S \* 7/2003 Suenaga ..... D13/180  
6,603,148 B1 \* 8/2003 Sano et al. .... 257/98  
6,610,563 B1 \* 8/2003 Waitl et al. .... 438/166  
D490,387 S \* 5/2004 Yagi ..... D13/182  
D490,782 S \* 6/2004 Suenaga ..... D13/180  
D490,784 S \* 6/2004 Ishida ..... D13/180  
2002/0149314 A1 \* 10/2002 Takahashi et al. .... 313/500

**FOREIGN PATENT DOCUMENTS**

JP	1149345	6/2002
JP	1149346	6/2002
JP	1149468	6/2002
JP	1149469	6/2002

\* cited by examiner

*Primary Examiner*—Stella Reid

*Assistant Examiner*—Selina Sikder

(74) *Attorney, Agent, or Firm*—Osha & May L.L.P.

(21) Appl. No.: **29/188,924**

(22) Filed: **Aug. 26, 2003**

(30) **Foreign Application Priority Data**

Feb. 26, 2003 (JP) ..... 2003-004601  
Feb. 26, 2003 (JP) ..... 2003-004603  
Feb. 26, 2003 (JP) ..... 2003-004604  
Feb. 26, 2003 (JP) ..... 2003-004605

(51) **LOC (8) Cl.** ..... **13-03**

(52) **U.S. Cl.** ..... **D13/180**

(58) **Field of Search** ..... D13/180, 182;  
257/76, 79, 88, 89, 93–99, 434, 676, 678,  
687, 690, 698, 787; 313/498, 499, 500;  
361/760, 820; 362/226, 241, 249, 250,  
307, 555, 800

(56) **References Cited**

**U.S. PATENT DOCUMENTS**

4,127,792 A \* 11/1978 Nakata ..... 313/500  
5,331,512 A \* 7/1994 Orton ..... 361/760  
RE36,614 E \* 3/2000 Lumbar et al. .... 313/500  
6,355,946 B1 \* 3/2002 Ishinaga ..... 257/98  
6,396,082 B1 \* 5/2002 Fukasawa et al. .... 257/79  
6,483,623 B1 \* 11/2002 Maruyama ..... 398/182  
6,583,444 B2 \* 6/2003 Fjelstad ..... 257/82

(57) **CLAIM**

The ornamental design for a light emitting diode, as shown and described.

**DESCRIPTION**

FIG. 1 shows a front view of the light emitting diode according to our new design.

FIG. 2 shows a rear view of FIG. 1.

FIG. 3 shows a right side view of FIG. 1.

FIG. 4 shows a left side view of FIG. 1.

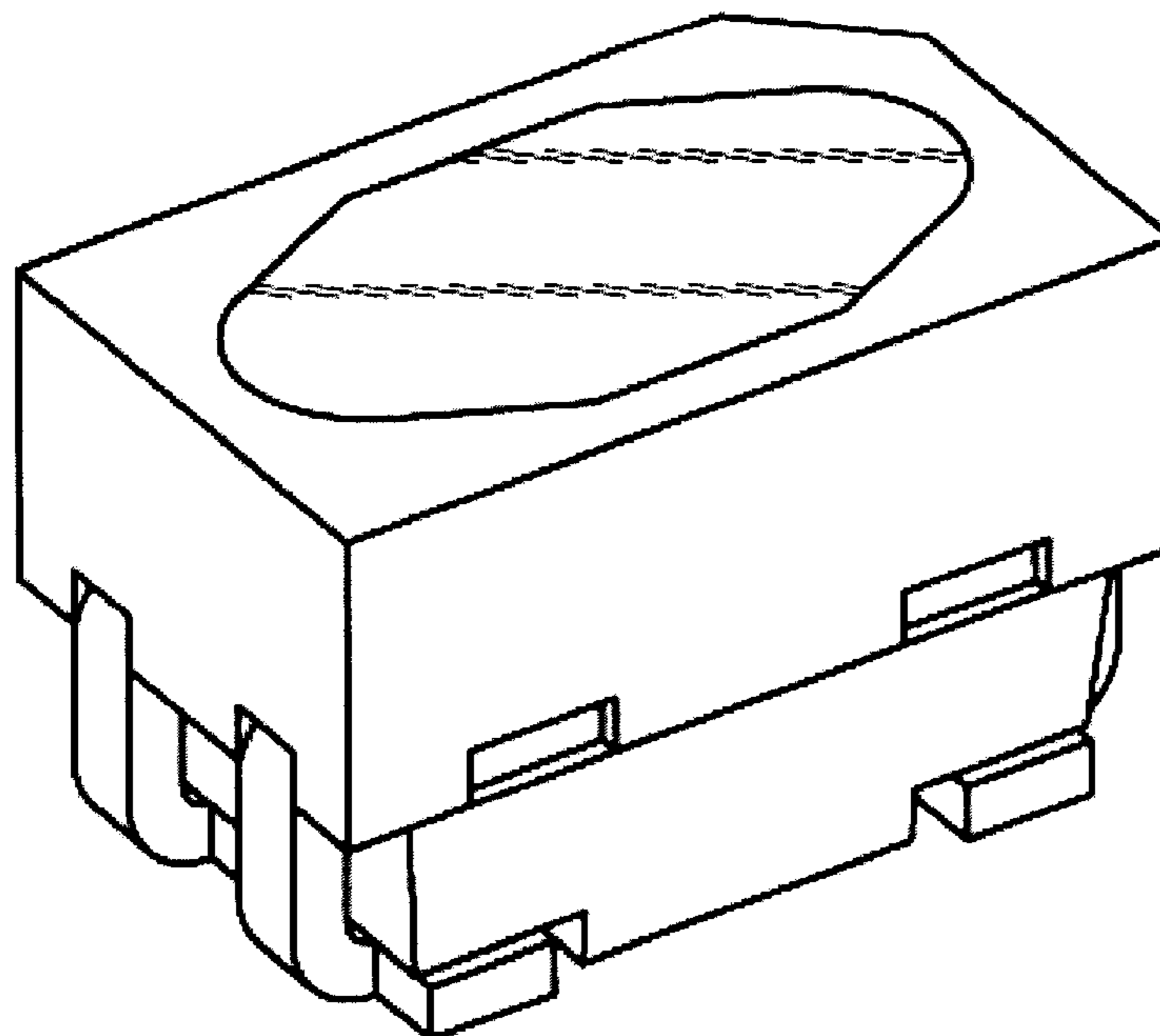
FIG. 5 shows a top view of FIG. 1.

FIG. 6 shows a bottom view of FIG. 1.

FIG. 7 shows a perspective view of FIG. 1; and,

FIG. 8 shows a perspective view of FIG. 1.

**1 Claim, 4 Drawing Sheets**



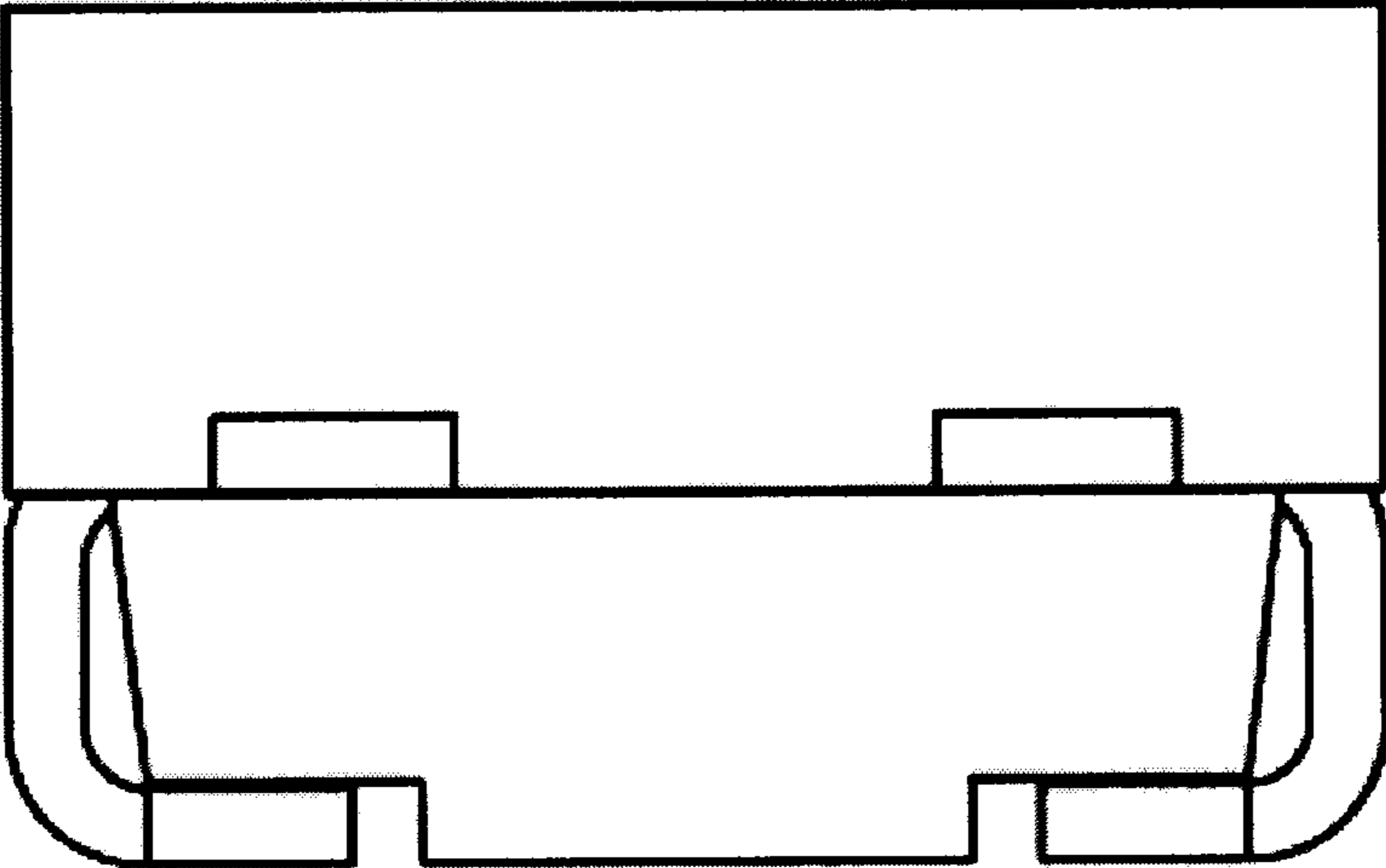


Figure 1

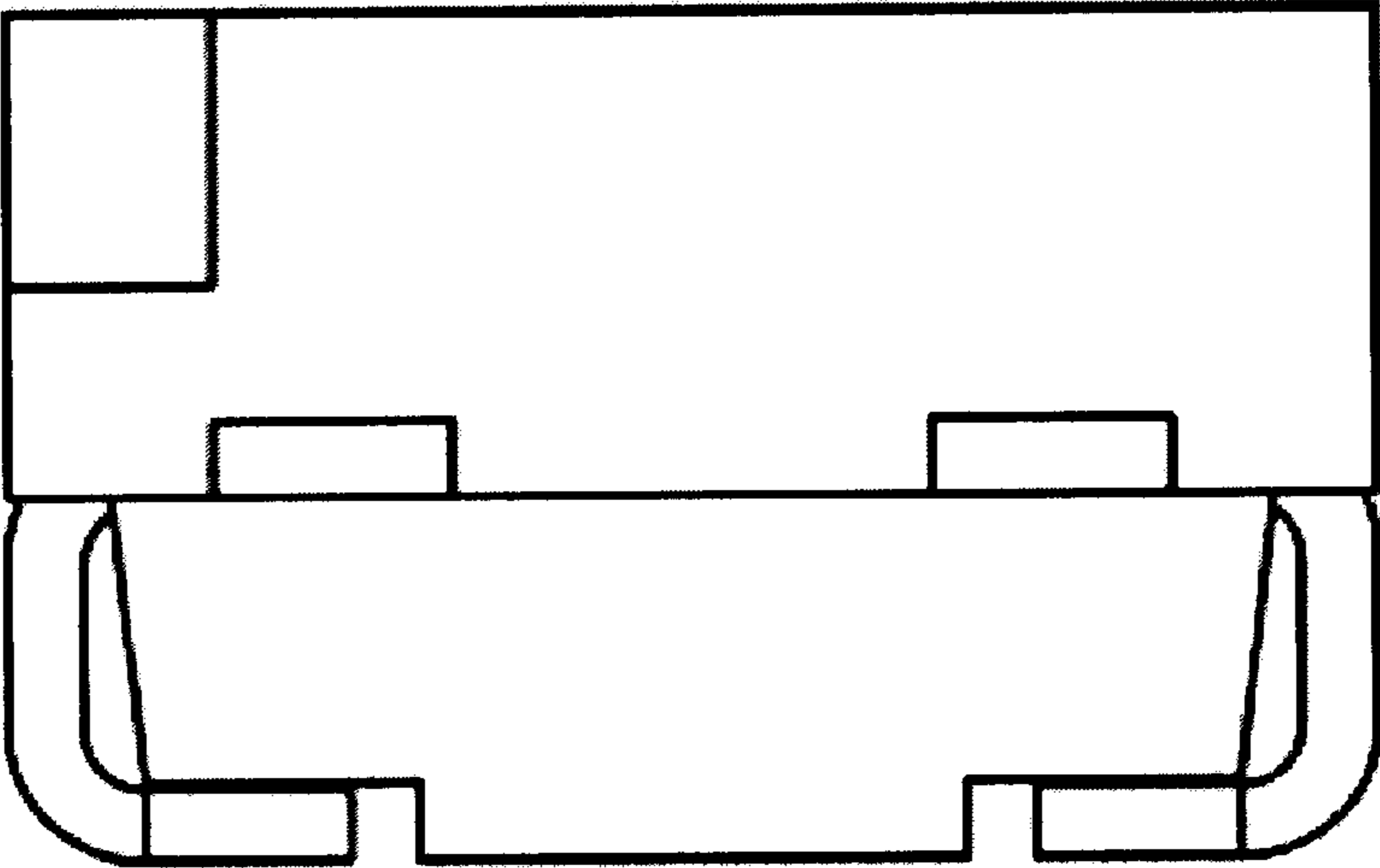


Figure 2

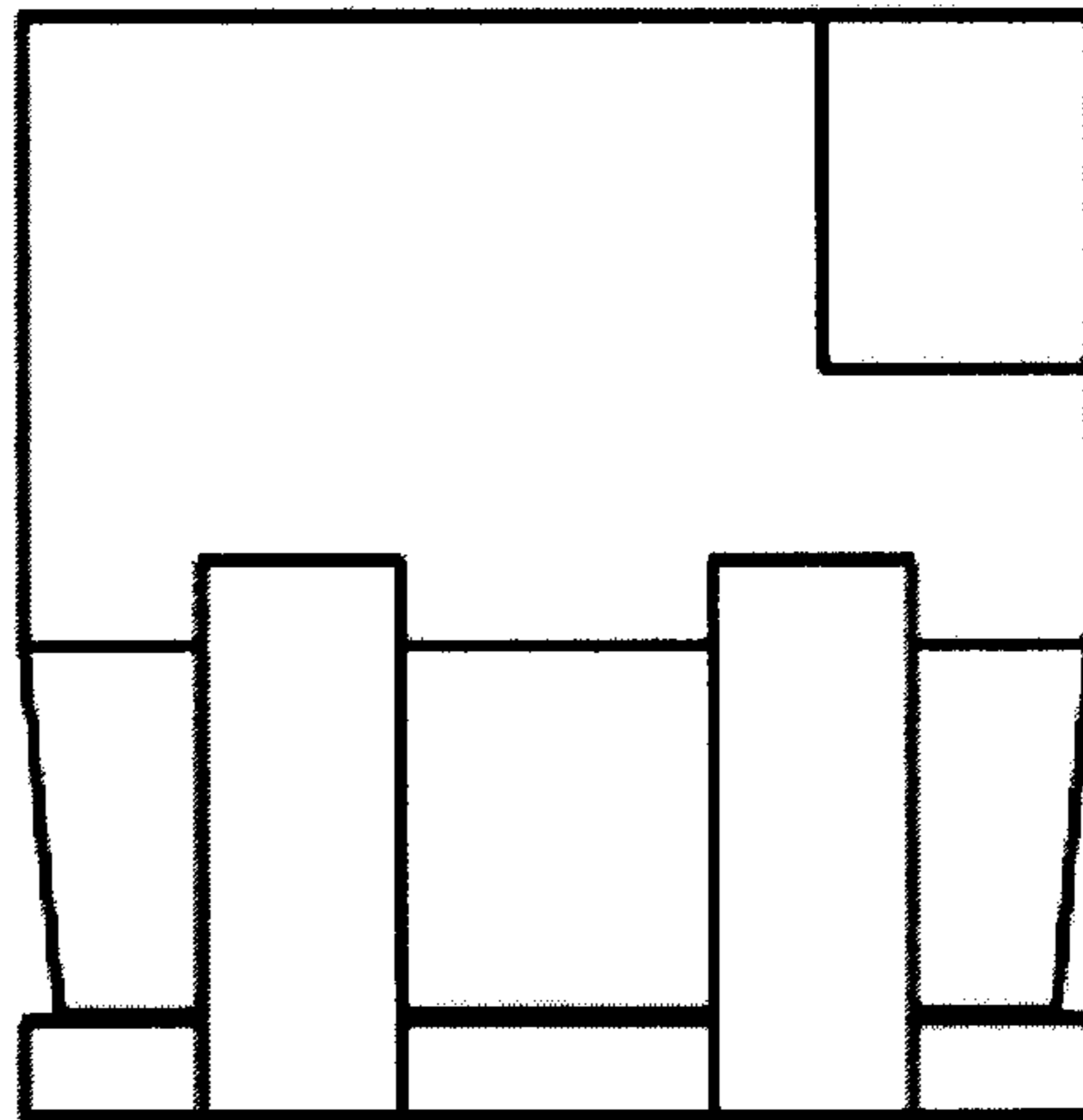


Figure 3

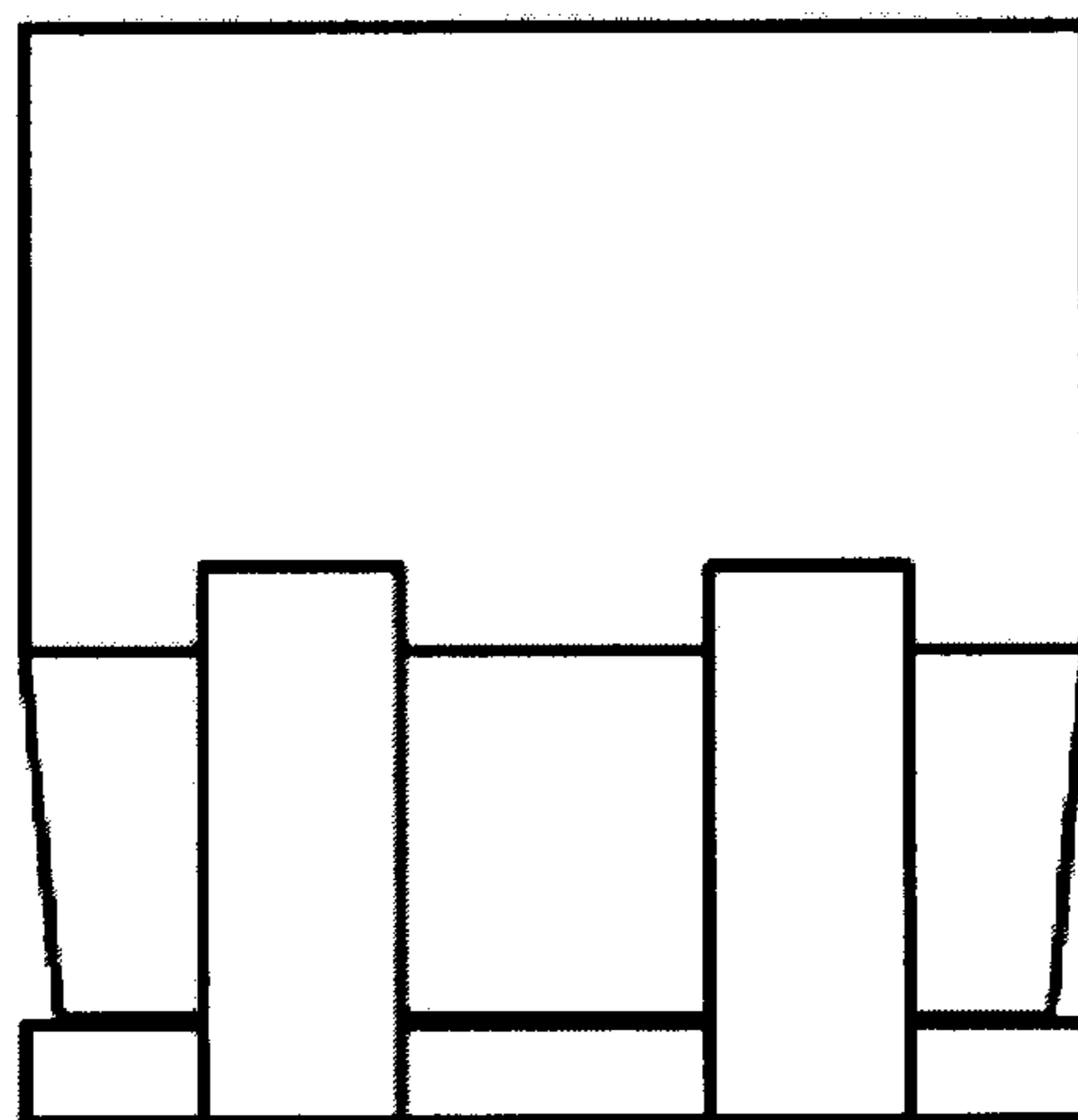


Figure 4

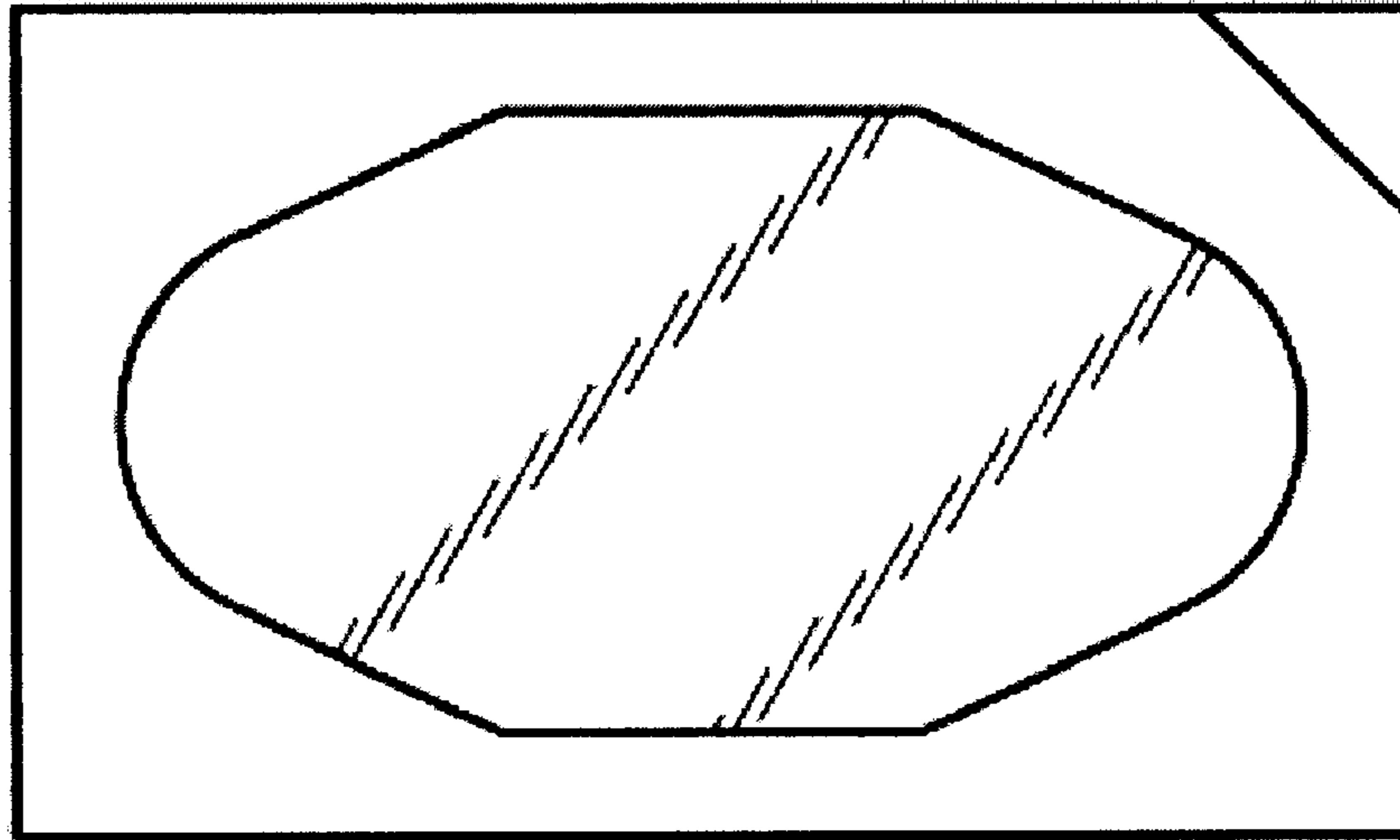


Figure 5

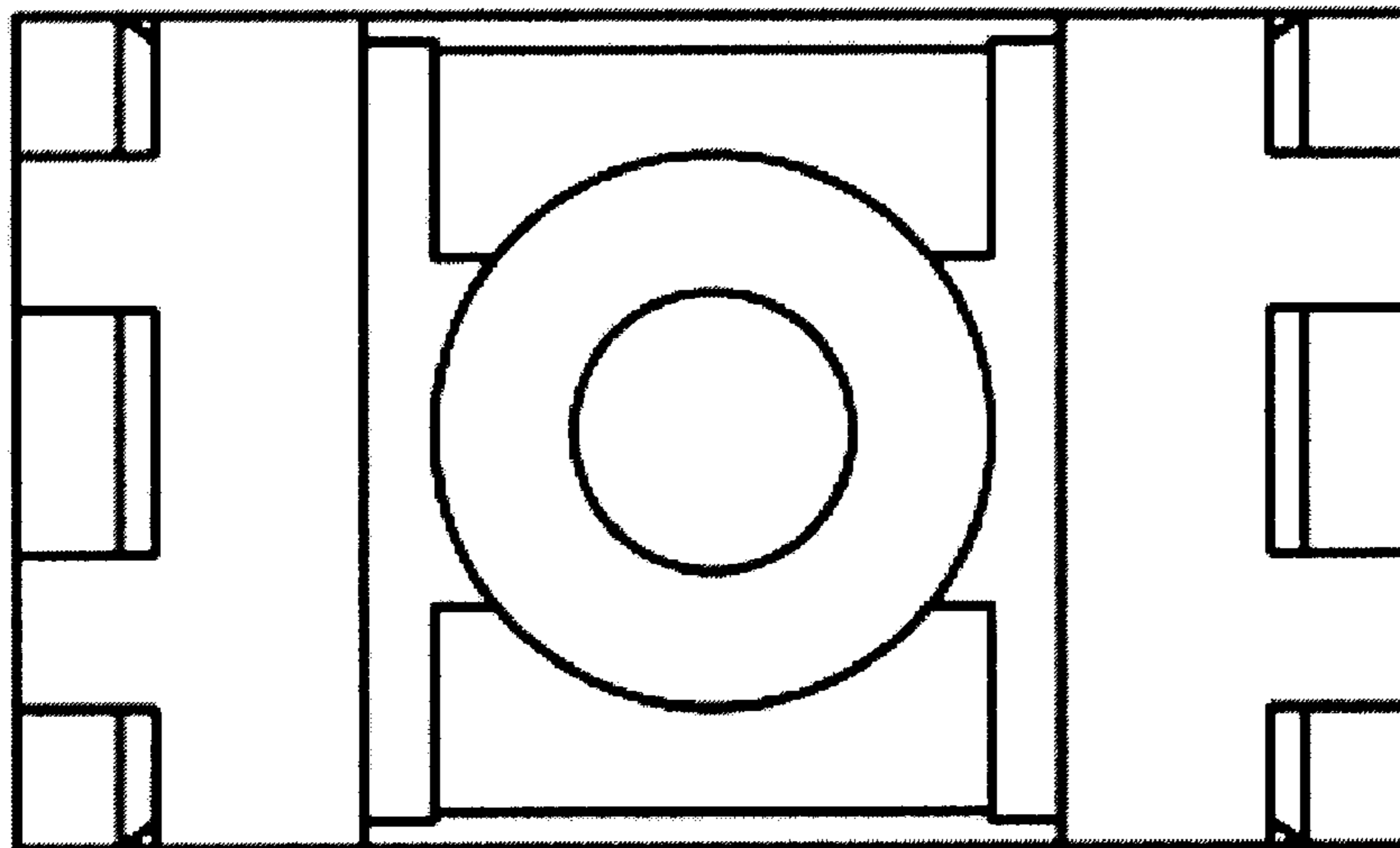


Figure 6

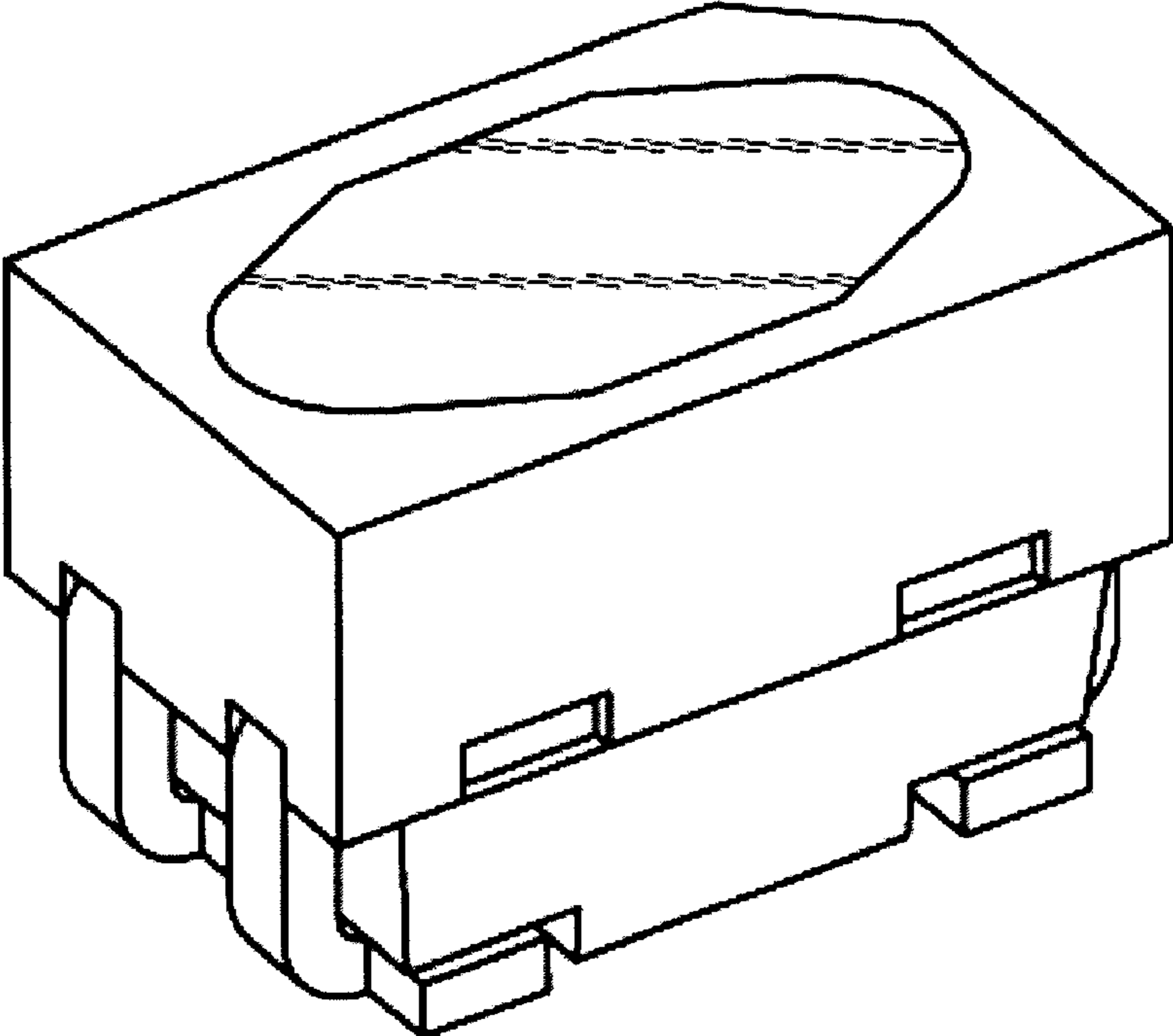


Figure 7

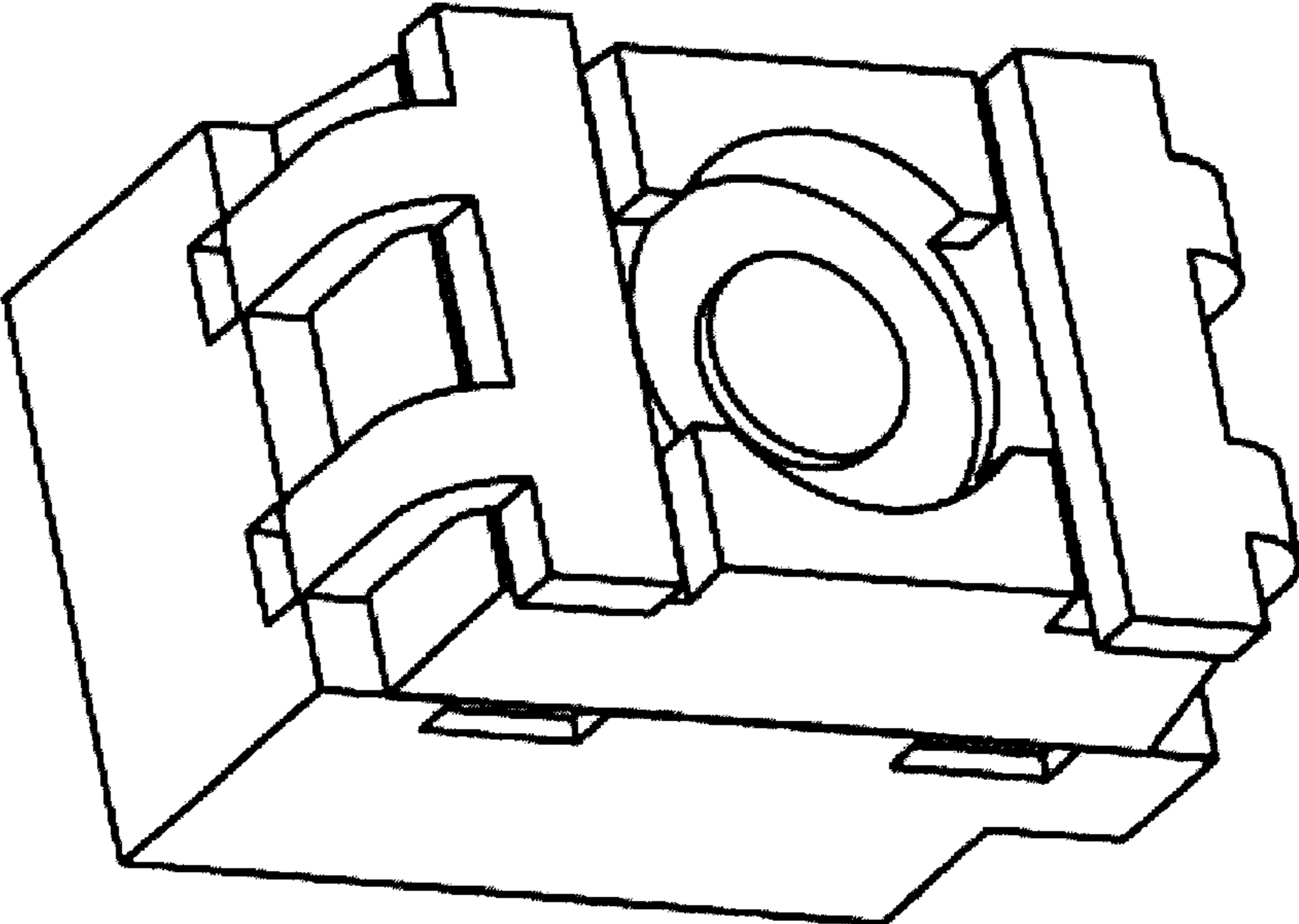


Figure 8