

US00D508232S

(12) **United States Design Patent**
Suckle et al.

(10) **Patent No.:** **US D508,232 S**

(45) **Date of Patent:** **** Aug. 9, 2005**

(54) **CABLE CONNECTOR**

(75) Inventors: **Mitchell Suckle**, Long Beach, CA
(US); **Saharut Sirichai**, Los Angeles,
CA (US)

(73) Assignee: **Belkin Corporation**, Compton, CA
(US)

(**) Term: **14 Years**

(21) Appl. No.: **29/212,604**

(22) Filed: **Sep. 3, 2004**

(51) **LOC (8) Cl.** **13-03**

(52) **U.S. Cl.** **D13/156**

(58) **Field of Search** D13/133, 144,
D13/146, 147, 149, 154, 155, 156; 439/353,
369, 606, 668, 675; 174/92

(56) **References Cited**

U.S. PATENT DOCUMENTS

460,048	A	*	9/1891	Farwell	191/12.2 R
1,484,992	A	*	2/1924	Kijima	439/675
1,665,018	A	*	4/1928	Black	439/668
1,800,698	A	*	4/1931	Nielsen	439/675
2,239,026	A	*	4/1941	Wagner	174/91
2,520,739	A	*	8/1950	Shaw	439/268

3,059,209	A	*	10/1962	Bird	439/369
3,223,958	A	*	12/1965	Prohl	439/369
5,069,634	A	*	12/1991	Chiarolanzio	439/353
6,176,729	B1	*	1/2001	Myers	439/369
2002/0125034	A1	*	9/2002	Kuo	174/92

* cited by examiner

Primary Examiner—Holly Baynham

Assistant Examiner—Cynthia M. Chin

(74) *Attorney, Agent, or Firm*—Bryan Cave LLP

(57) **CLAIM**

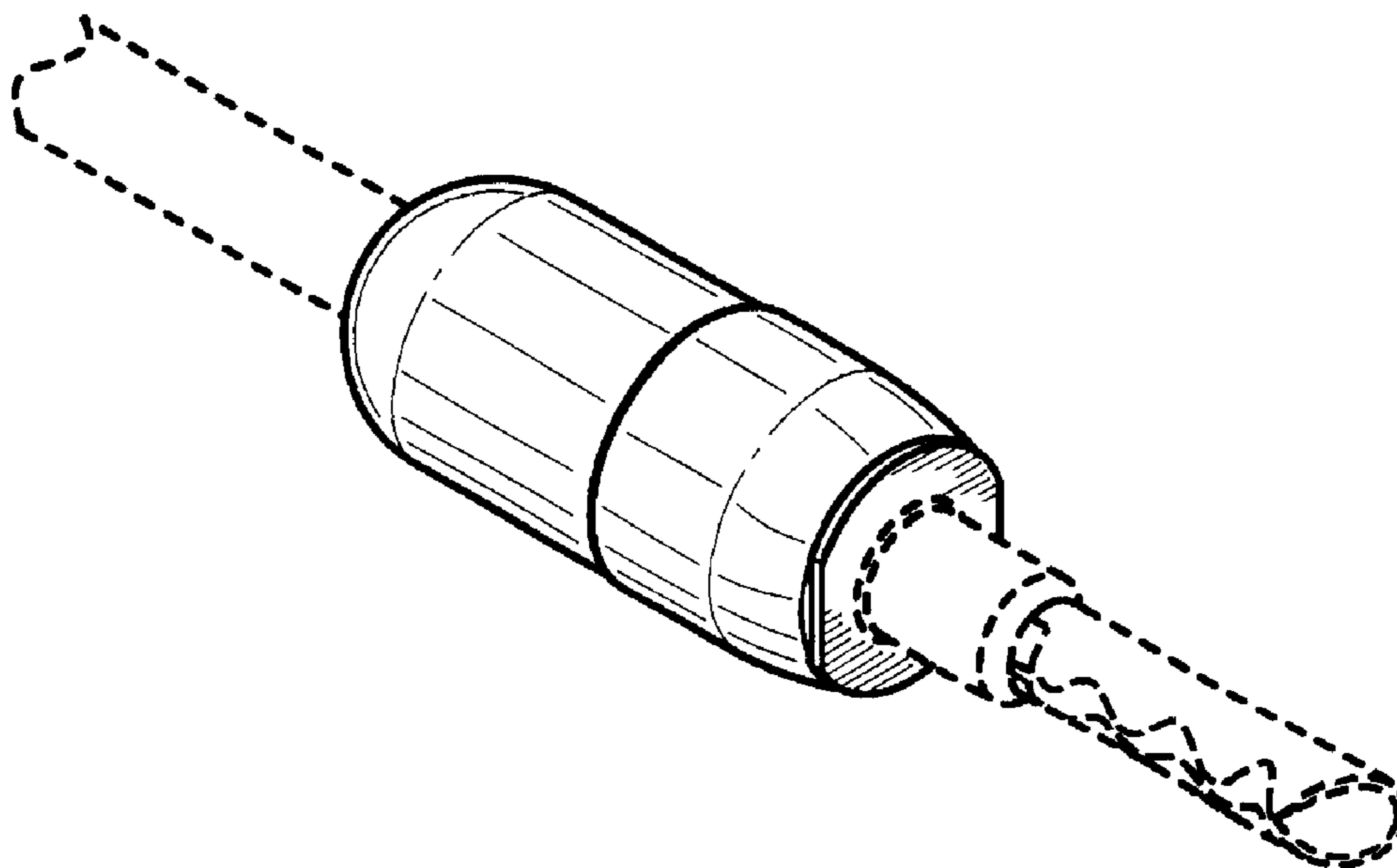
The ornamental design for a cable connector, as shown and described.

DESCRIPTION

FIG. 1 is a left side elevational view of a cable connector; FIG. 2 is a right side elevational view thereof; FIG. 3 is a bottom view thereof; FIG. 4 is a top view thereof; FIG. 5 is a front elevational view thereof; FIG. 6 is a rear elevational view thereof; FIG. 7 is a front, left, top perspective view thereof; and FIG. 8 is a rear, left, top perspective view thereof.

The broken lines are for illustrative purposes only and form no part of the claimed design.

1 Claim, 2 Drawing Sheets



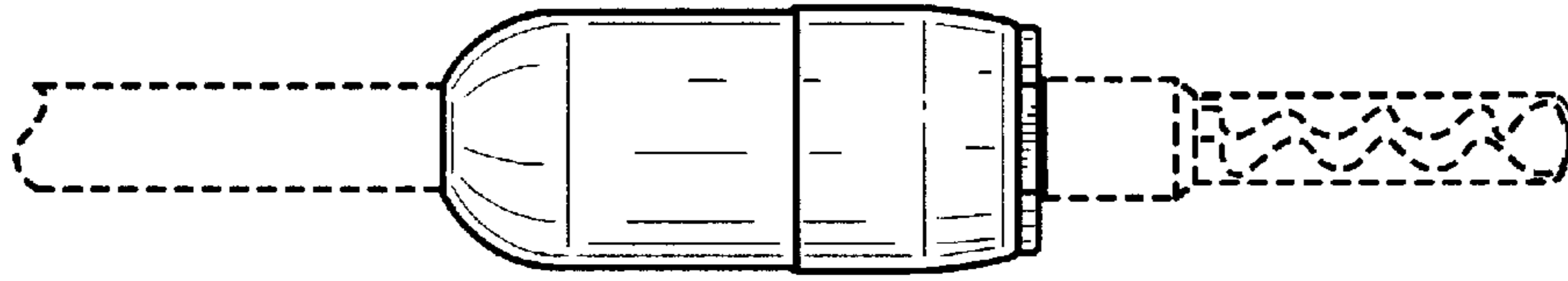


FIG. 1

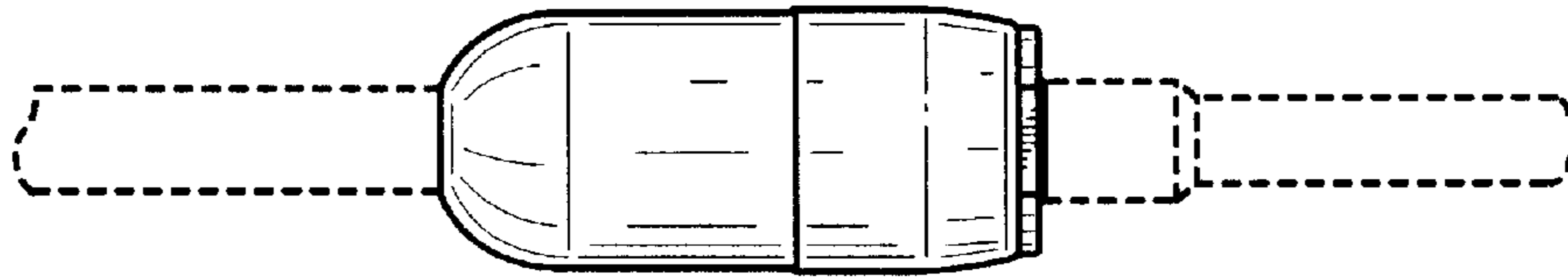


FIG. 2



FIG. 3

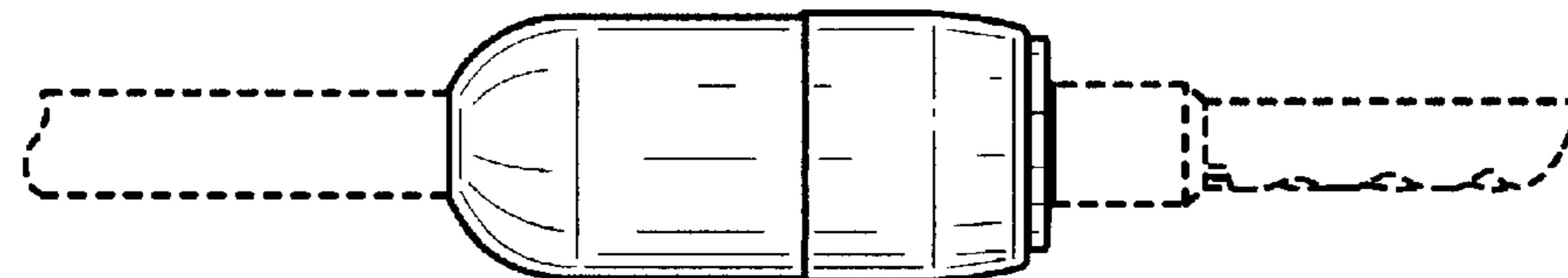


FIG. 4

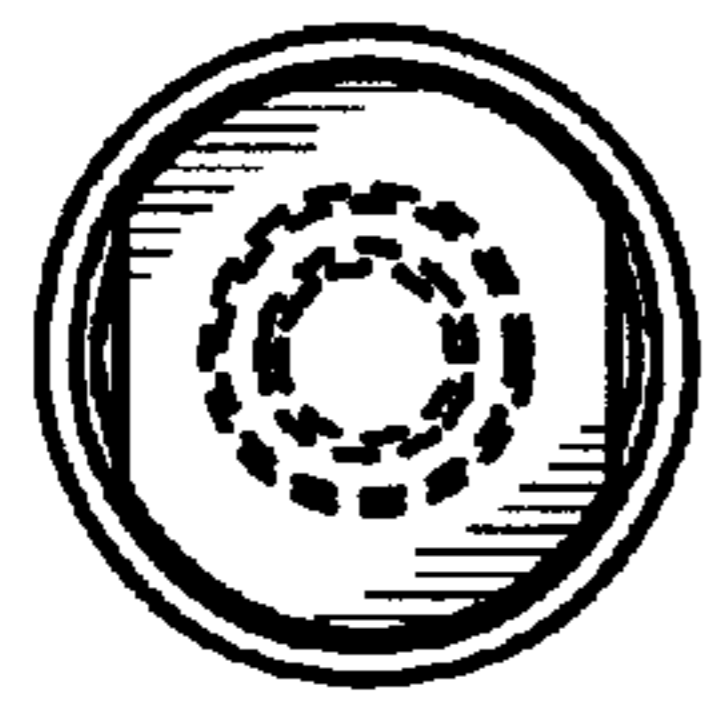


FIG. 5

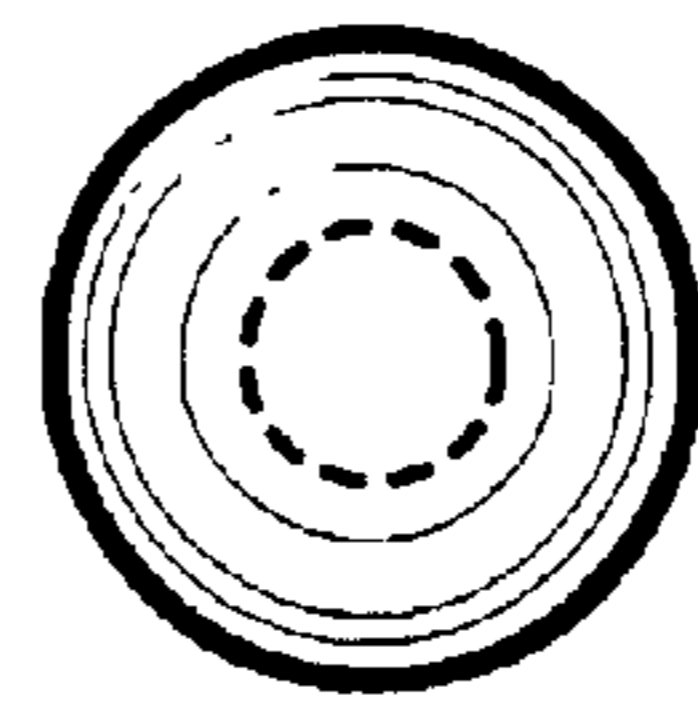


FIG. 6

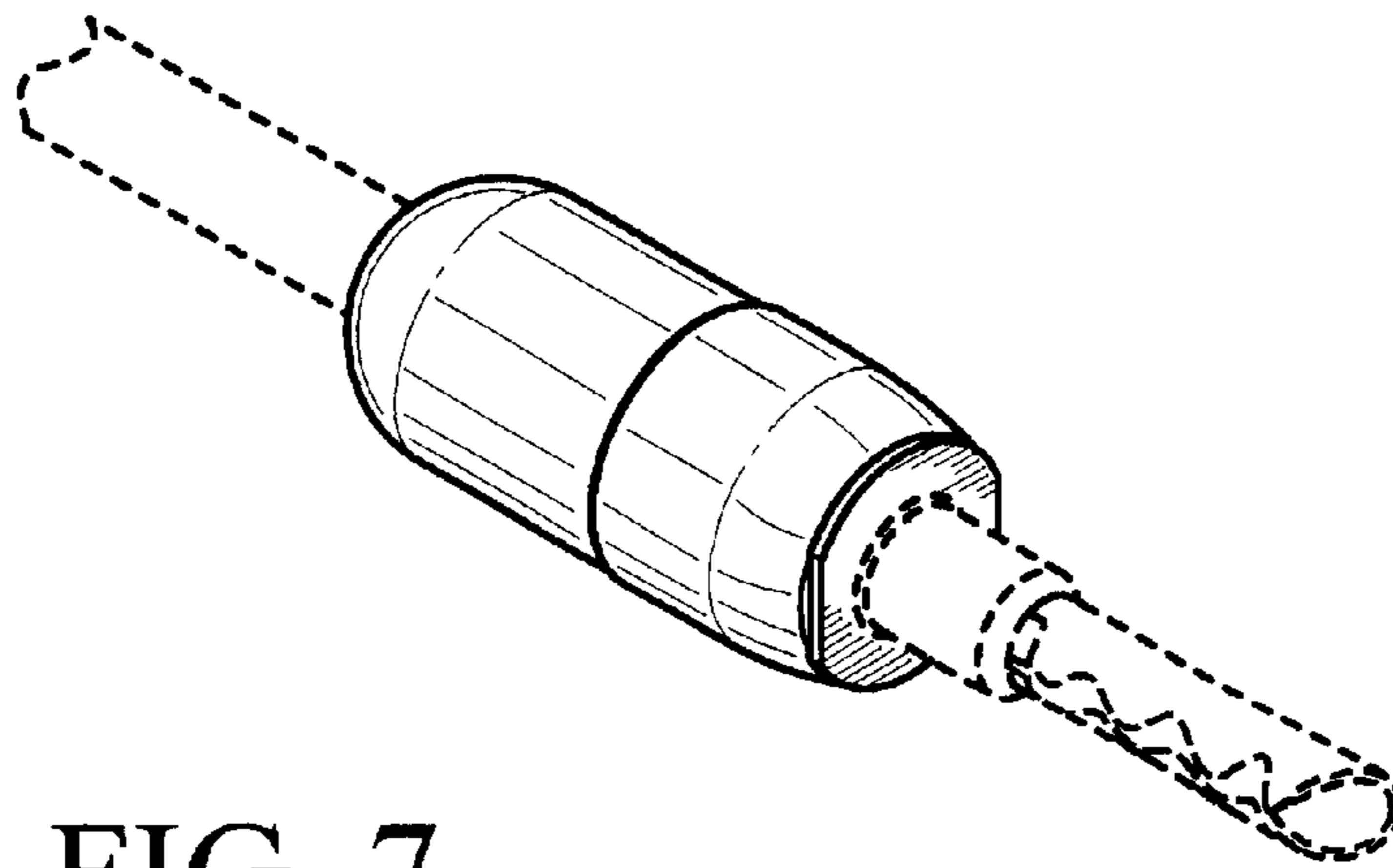


FIG. 7

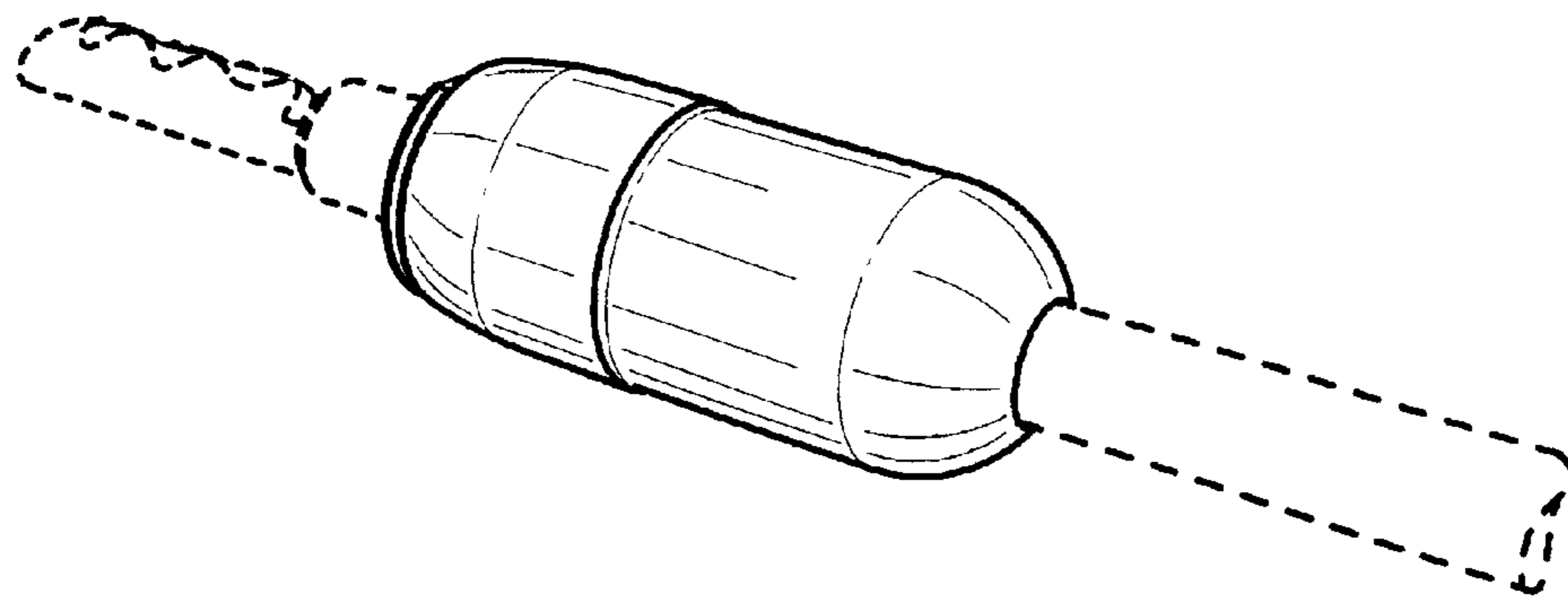


FIG. 8