



US00D508228S

(12) **United States Design Patent** (10) **Patent No.:** **US D508,228 S**
Brown (45) **Date of Patent:** **** Aug. 9, 2005**

(54) **UTILITY TRAY FOR ALL TERRAIN VEHICLES**

(76) Inventor: **James Stephen Brown**, P.O. Box 170100, Birmingham, AL (US) 35217

(**) Term: **14 Years**

(21) Appl. No.: **29/197,333**

(22) Filed: **Jan. 13, 2004**

(51) **LOC (8) Cl.** **12-16**

(52) **U.S. Cl.** **D12/407**

(58) **Field of Search** D12/406, 407; 224/401, 412, 419-430, 42.11, 926; D6/510, 475, 476

(56) **References Cited**
PUBLICATIONS

Cabela's Christmas 2003 catalog, item No. LD-52-0578 et al. on pp. 287-289 and 291. Copyright 2003 and published by Cabela's, Inc., Sidney, Nebraska.
RedHead 2003 Fall Hunting Catalog, item 29-801-851 et al. on pp. 148-151. Copyright 2003 by Bass Pro Shops, Springfield, Missouri.

J R Graham Powersports Warehouse ATV 2003 Parts & Accessories catalog, item. No. MT 159400 et al. on pp. 31, 35-37 and 39. Copyright 2003 by J R Graham, Bangor, Maine.

Primary Examiner—Alan P. Douglas
Assistant Examiner—Linda Brooks
(74) *Attorney, Agent, or Firm*—Smith, Gambrell & Russell, LLP

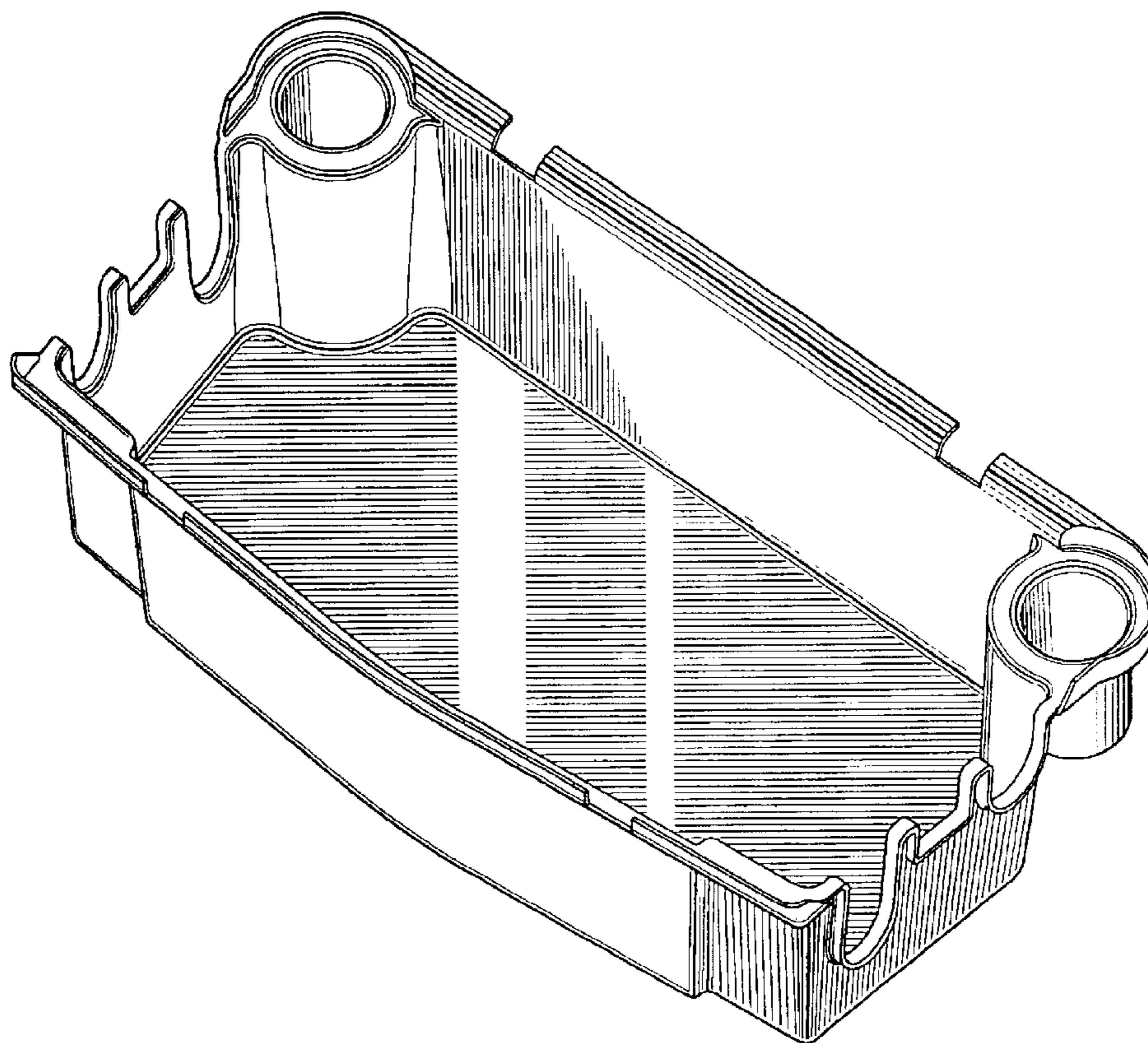
(57) **CLAIM**

The ornamental design for a utility tray for all terrain vehicles, as shown and described.

DESCRIPTION

FIG. 1 is a perspective view of a utility tray for all terrain vehicles;
FIG. 2 is a right side view of FIG. 1;
FIG. 3 is a left side view of FIG. 1;
FIG. 4 is a front view of FIG. 1;
FIG. 5 is a rear view of FIG. 1; and,
FIG. 6 is a top plan view of FIG. 1.

1 Claim, 4 Drawing Sheets



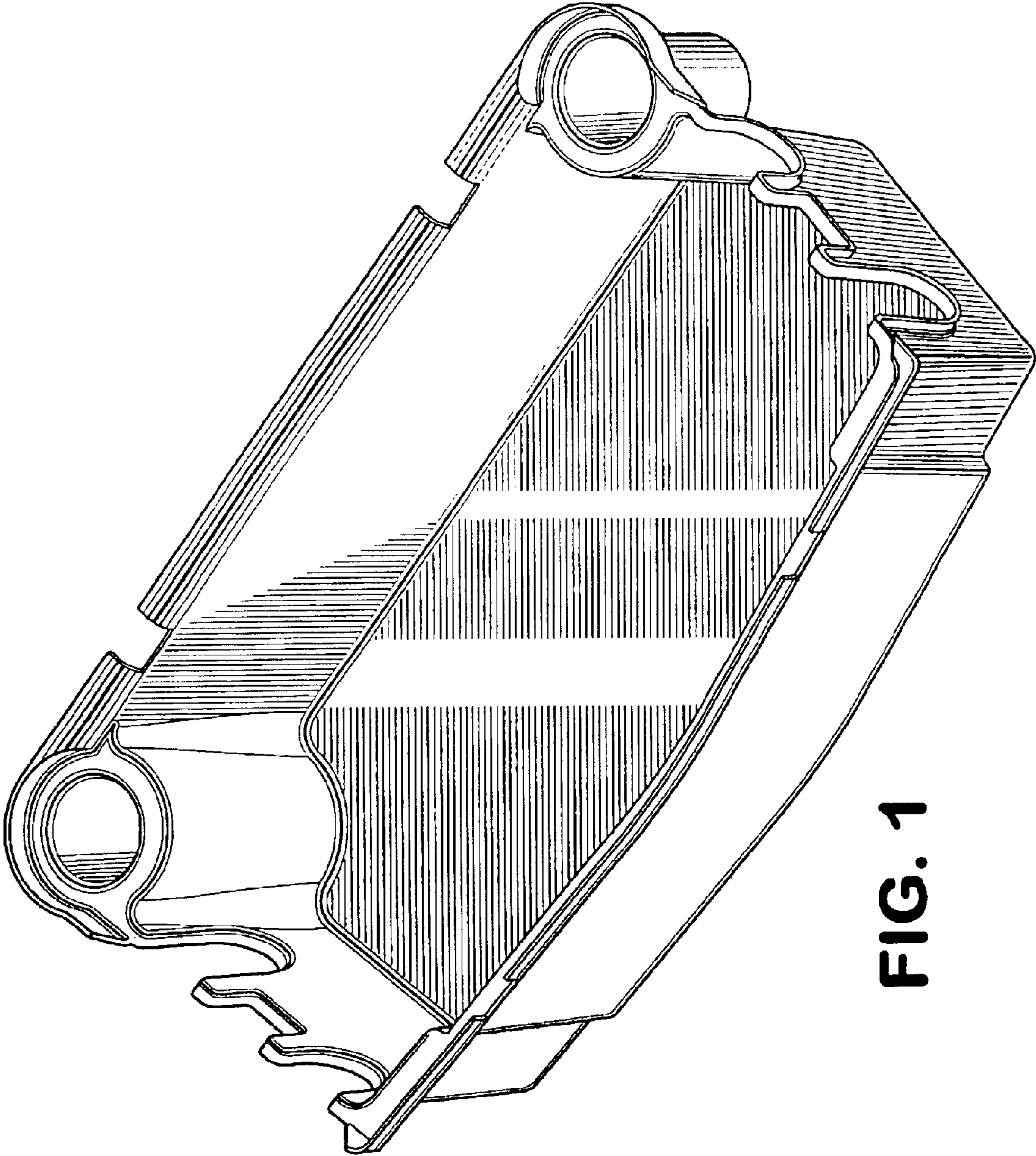


FIG. 1

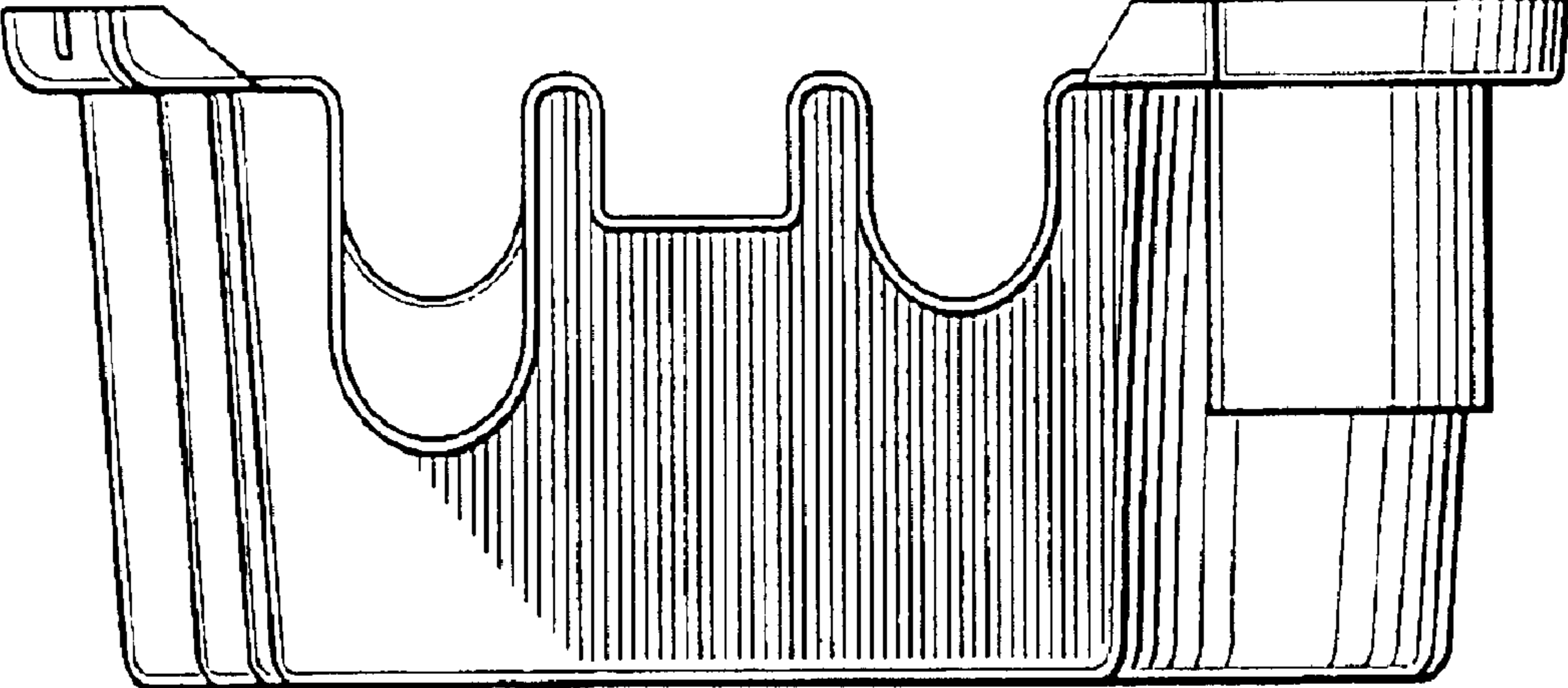


FIG. 2

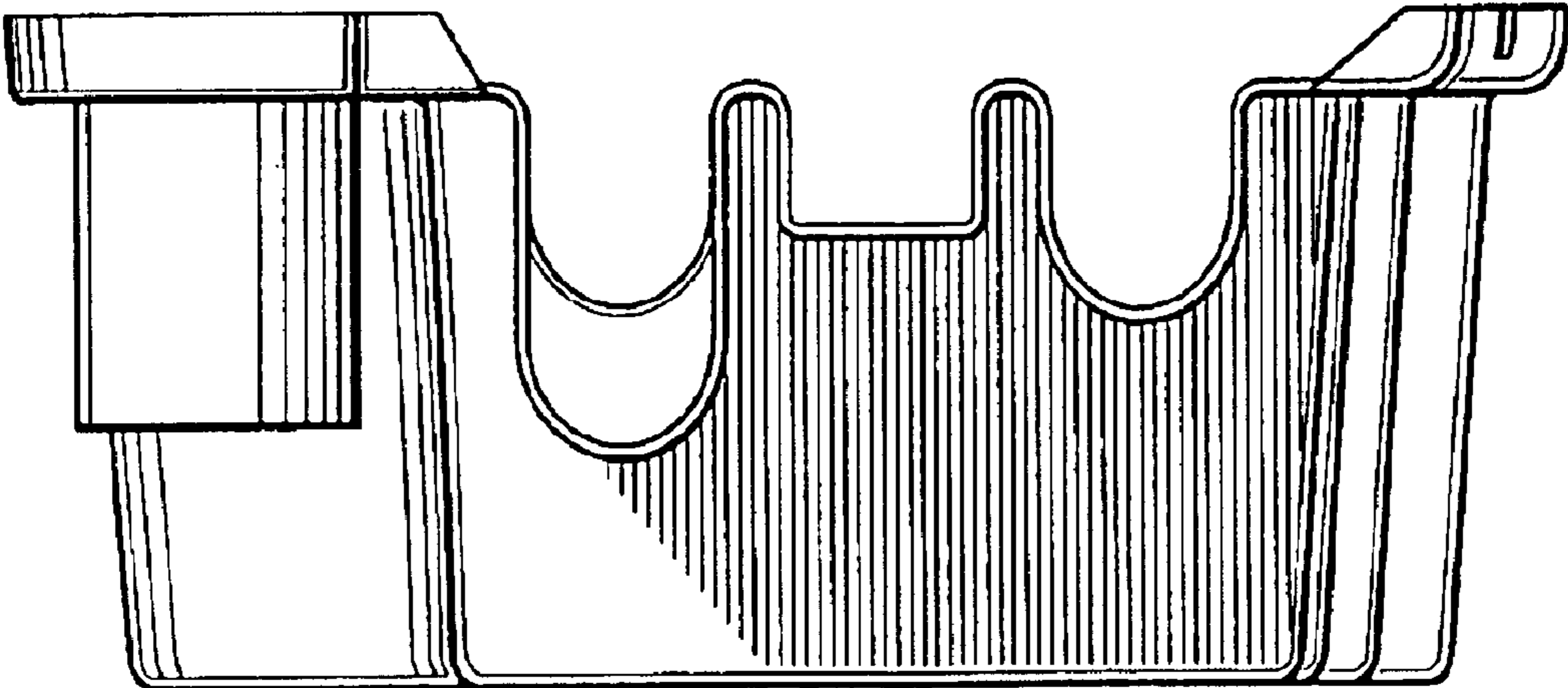


FIG. 3

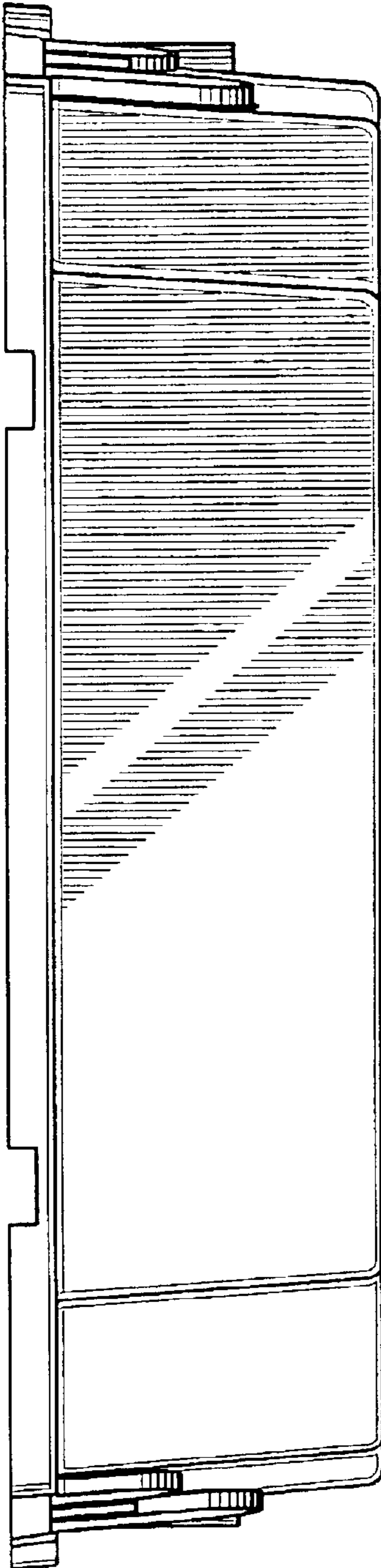


FIG. 4

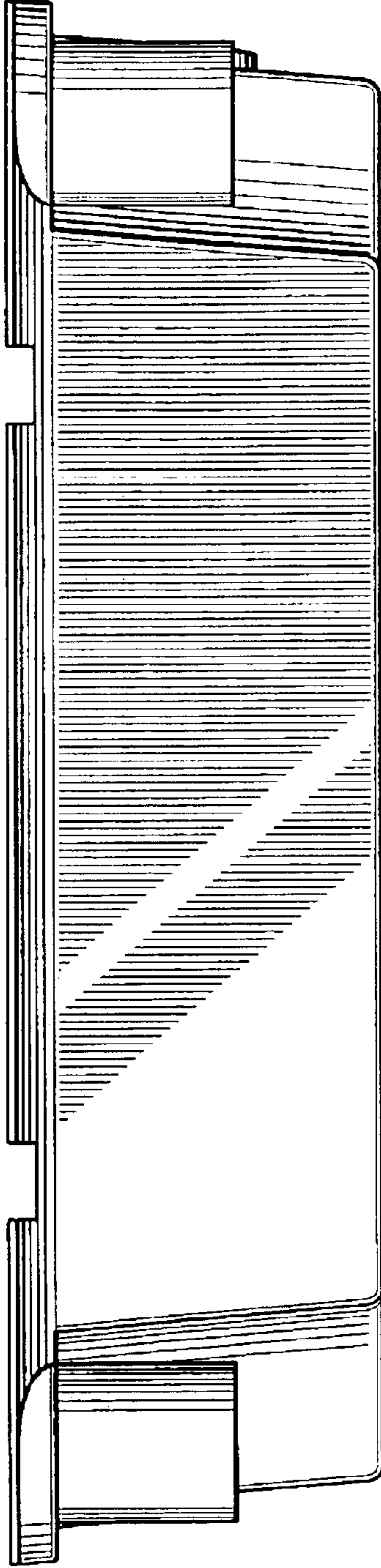


FIG. 5

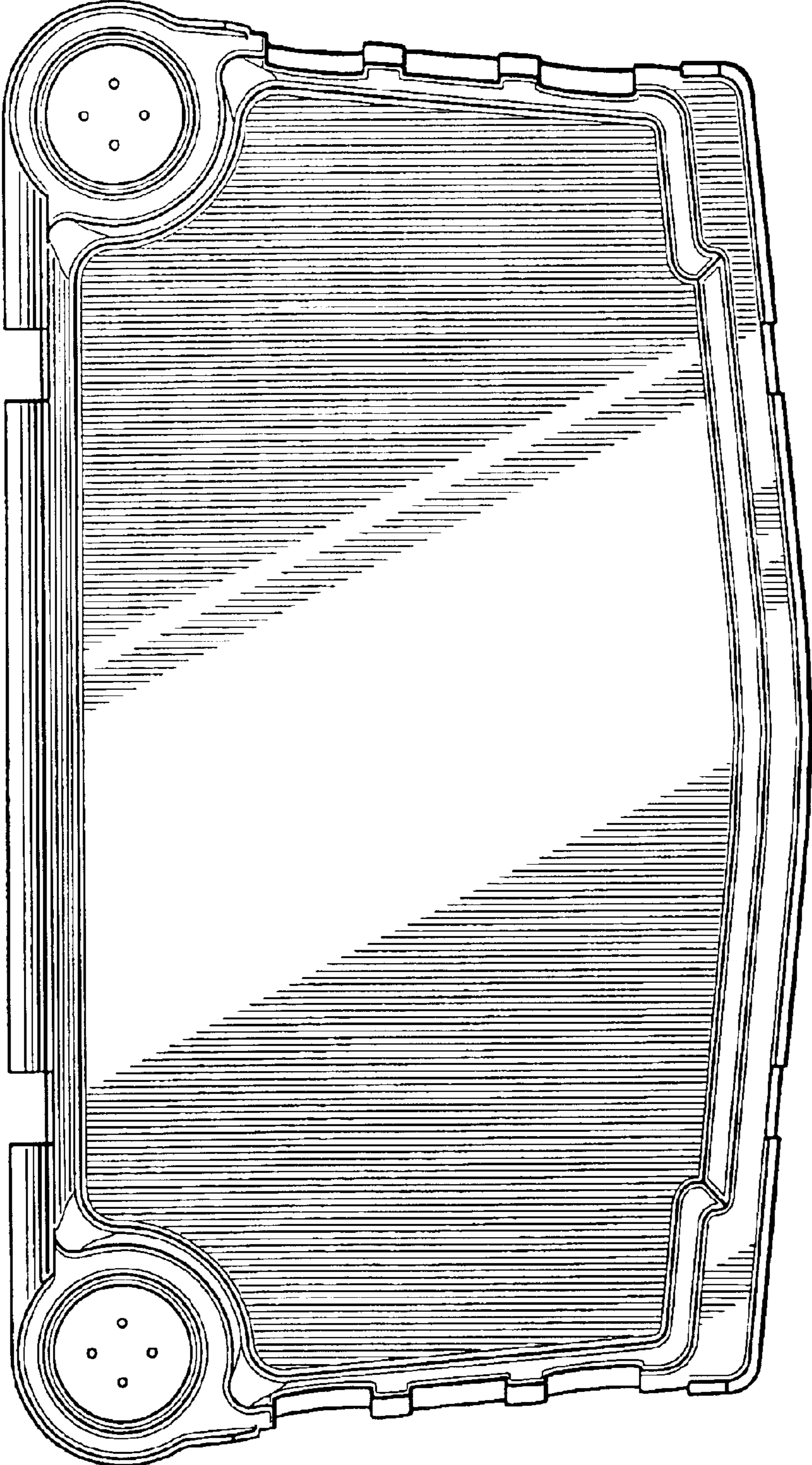


FIG. 6