



US00D508227S

(12) **United States Design Patent** (10) **Patent No.:** **US D508,227 S**
Rick et al. (45) **Date of Patent:** **** Aug. 9, 2005**

(54) **HAND LEVER**

(75) Inventors: **Sean E. Rick**, Schnecksville, PA (US);
Benjamin S. Barrall, Jeffersonville, PA
(US); **Gary B. Swetish**, Racine, WI
(US)

(73) Assignee: **Teleflex Incorporated**, Limerick, PA
(US)

(**) Term: **14 Years**

(21) Appl. No.: **29/192,584**

(22) Filed: **Oct. 27, 2003**

(51) **LOC (8) Cl.** **12-06**

(52) **U.S. Cl.** **D12/317**

(58) **Field of Search** D12/174, 179,
D12/300, 317; 345/161; 463/36; 700/85;
D14/412-418; 477/111

(56) **References Cited**

U.S. PATENT DOCUMENTS

D148,914 S	*	3/1948	Daubengerger	D12/179
D231,741 S	*	6/1974	Tompkins	D12/174
4,491,325 A	*	1/1985	Bersheim	463/38
D282,156 S	*	1/1986	Le Vier	D12/174
D366,909 S	*	2/1996	Hsieh	D14/412
D372,053 S	*	7/1996	Couch et al.	D14/412
5,786,807 A	*	7/1998	Couch et al.	345/161
D414,149 S	*	9/1999	Asakura	D12/179
D449,614 S	*	10/2001	Osborn et al.	D14/412

* cited by examiner

Primary Examiner—Holly Baynham
Assistant Examiner—Cynthia M. Chin

(74) *Attorney, Agent, or Firm*—Woodcock Washburn LLP

(57) **CLAIM**

We claim an ornamental design for a hand lever, as shown and described.

DESCRIPTION

The subject matter disclosed and claimed herein is related to the subject matter disclosed and claimed in the following U.S. patent applications, each of which was filed on Oct. 27, 2003: U.S. patent application Ser. No. 29/192,617; U.S. patent application Ser. No. 29/192,577; U.S. patent application Ser. No. 29/192,592; U.S. patent application Ser. No. 29/192,593; U.S. patent application Ser. No. 29/192,576; U.S. patent application Ser. No. 29/192,579; and U.S. patent application Ser. No. 29/192,585.

FIG. 1 is a top plan view of a hand lever showing our new design;

FIG. 2 is a bottom plan view thereof;

FIG. 3 is a front elevational view thereof;

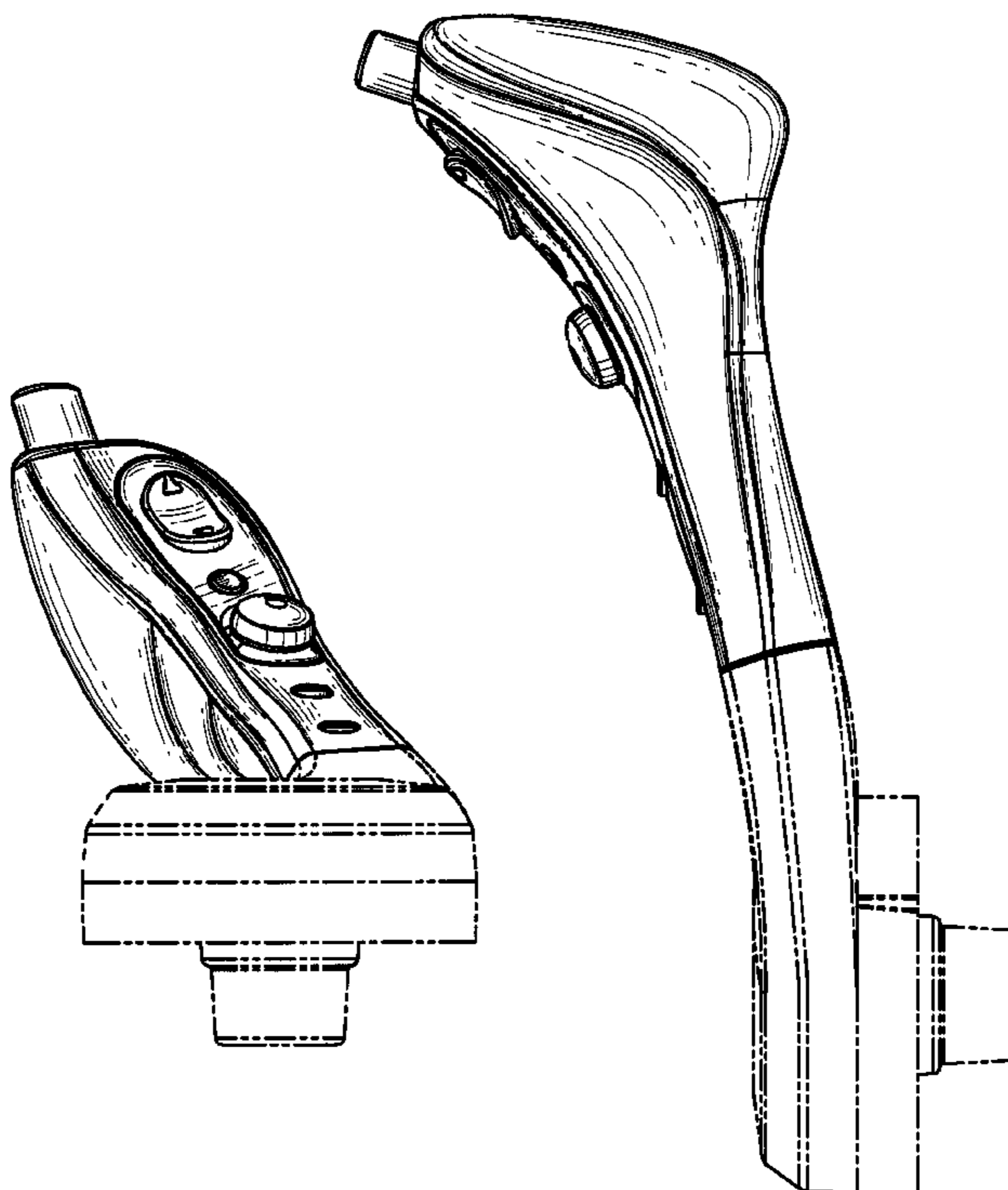
FIG. 4 is a rear elevational view thereof; and

FIG. 5 is a side elevational view thereof; and,

FIG. 6 is an opposite side elevational view thereof.

The dashed lines shown in the views are for illustrative or disclosure purposes only, and form no part of the claimed design.

1 Claim, 3 Drawing Sheets



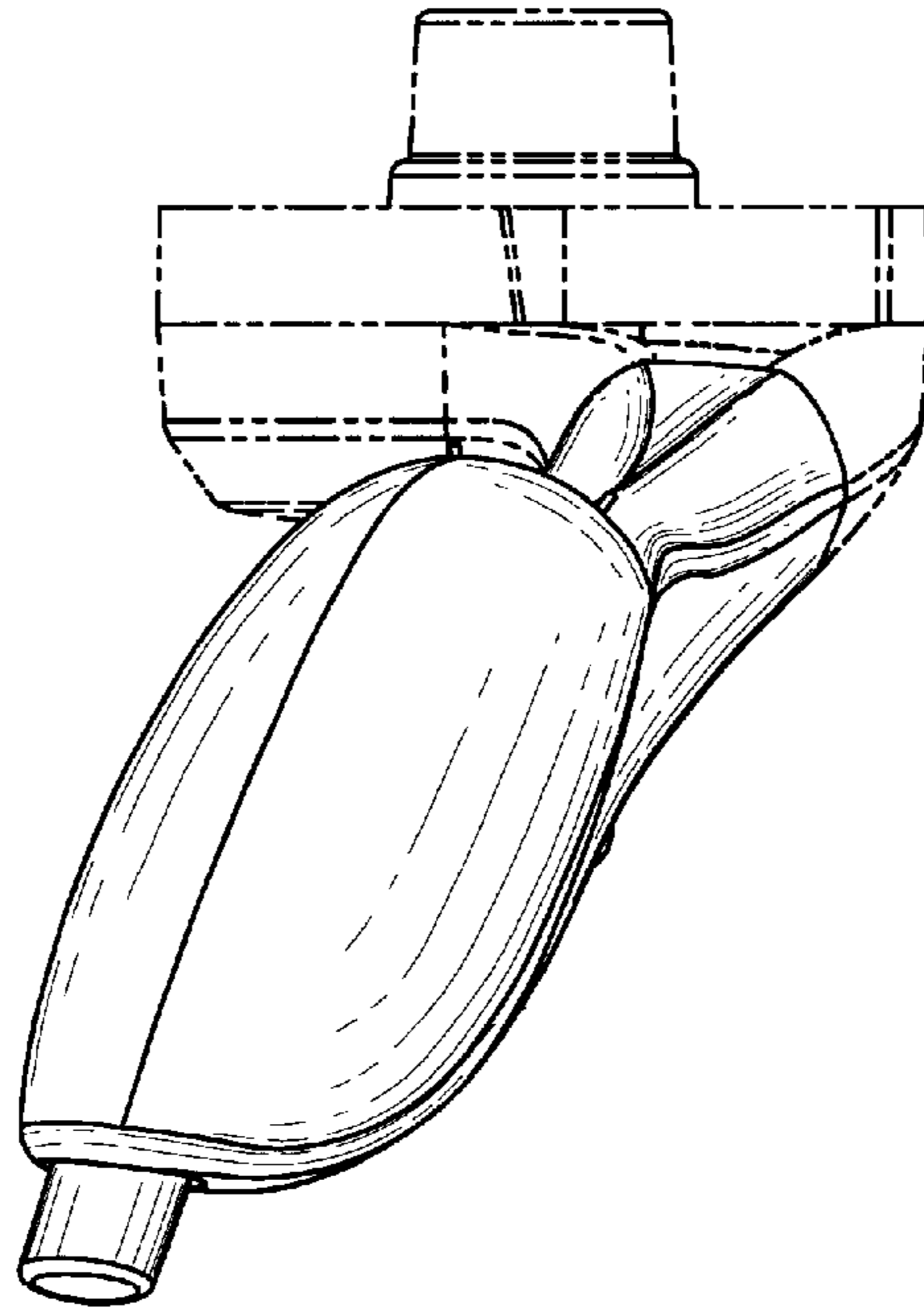


FIG. 1

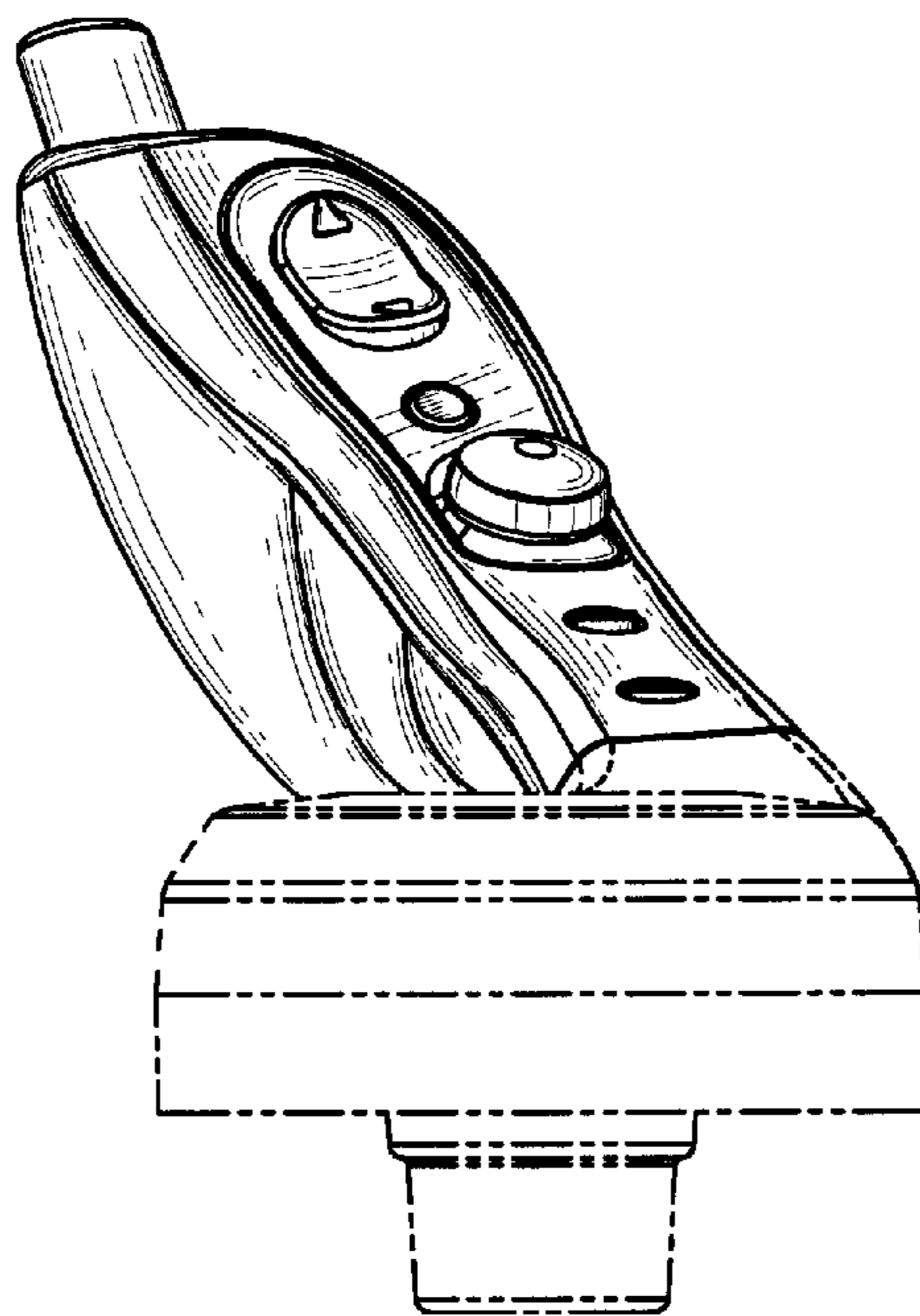


FIG. 2

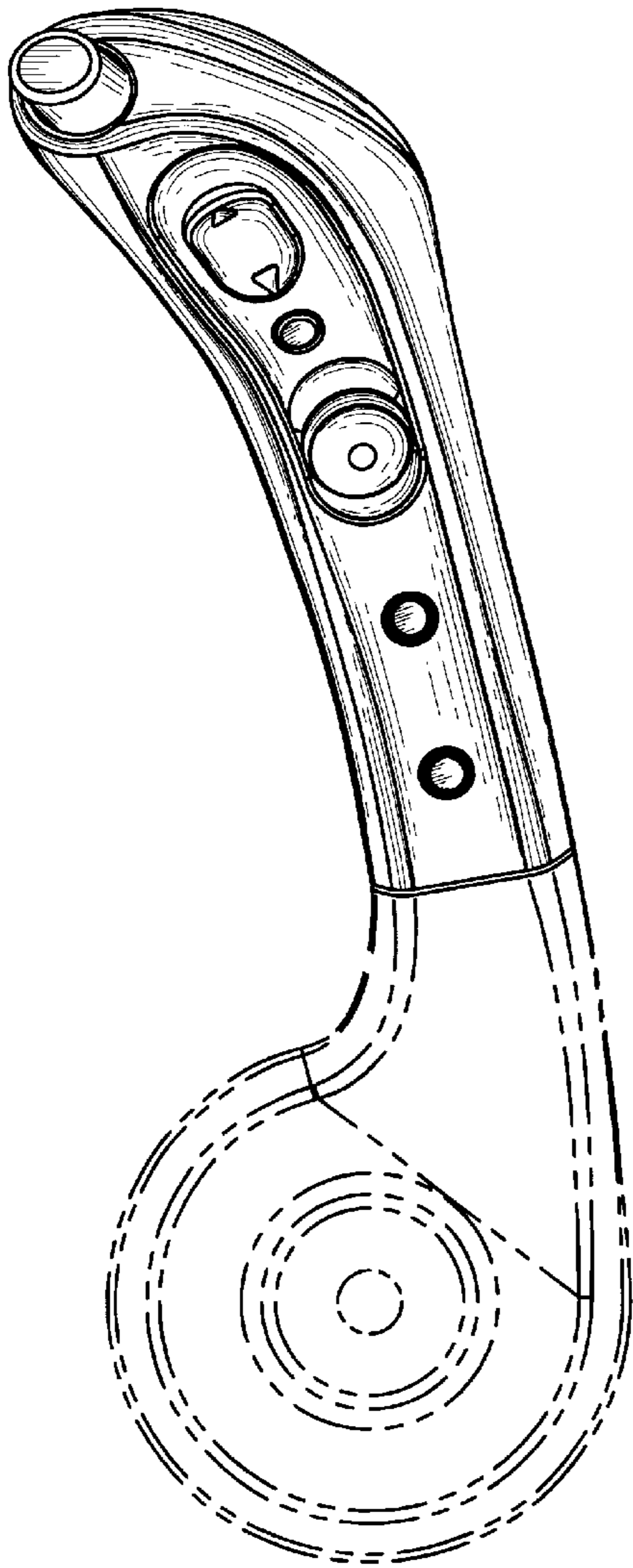


FIG. 3

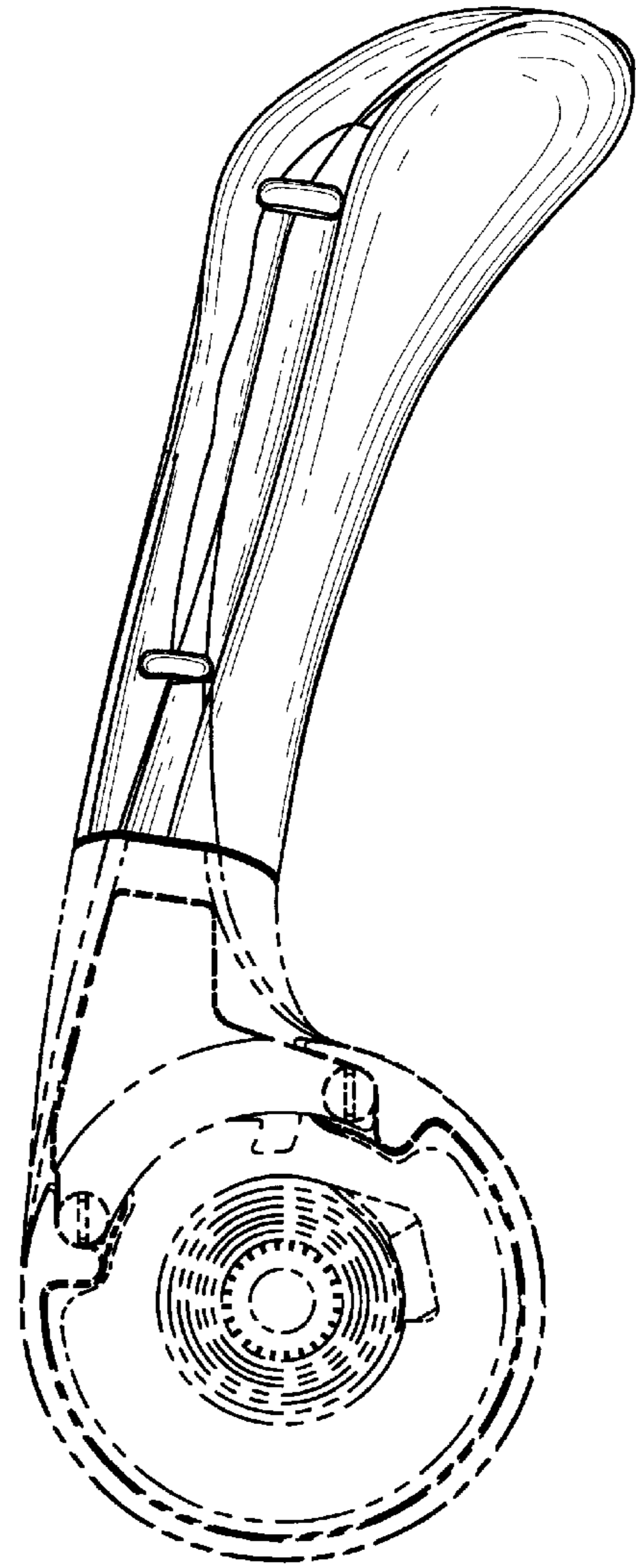


FIG. 4

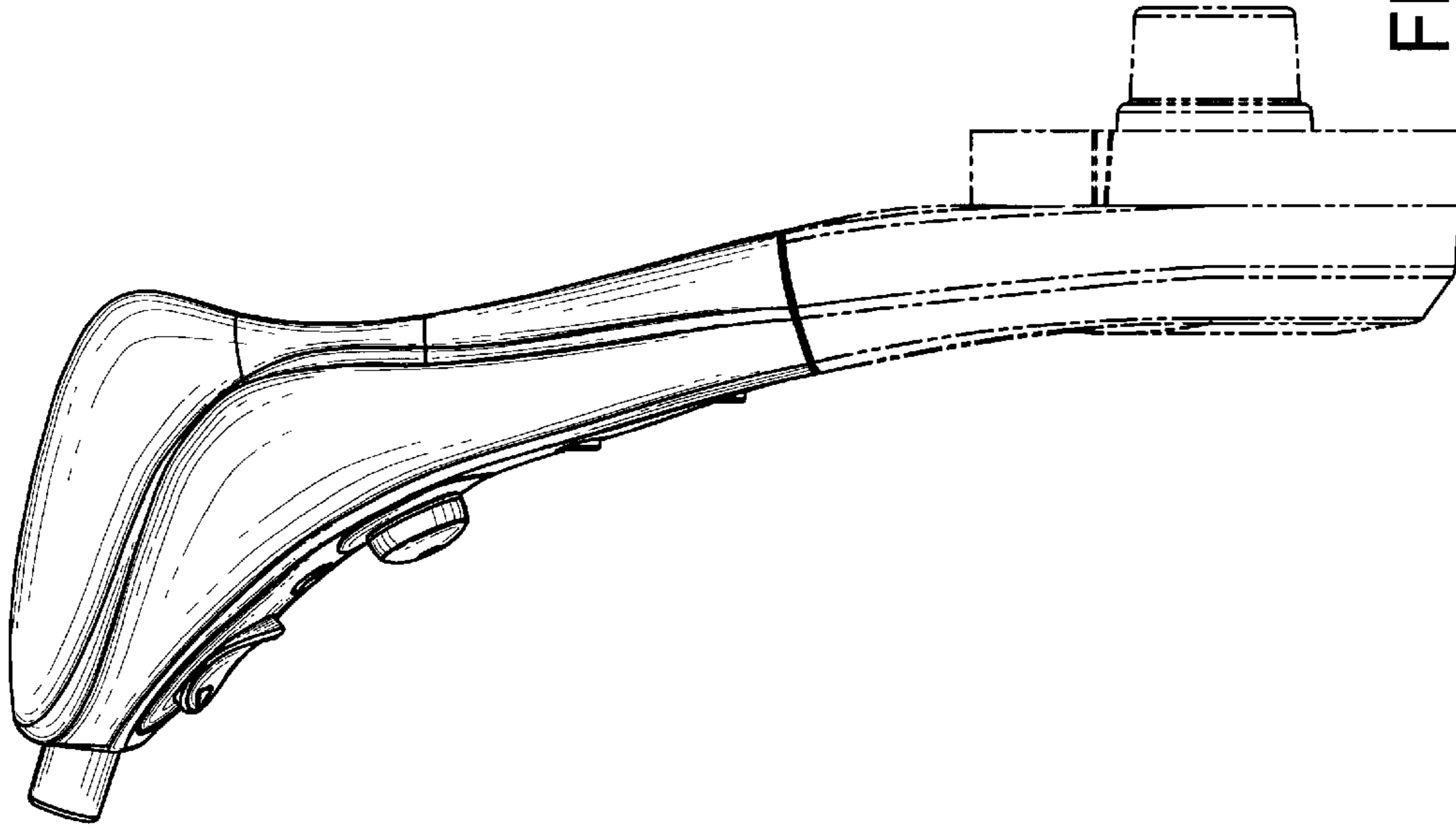


FIG. 6

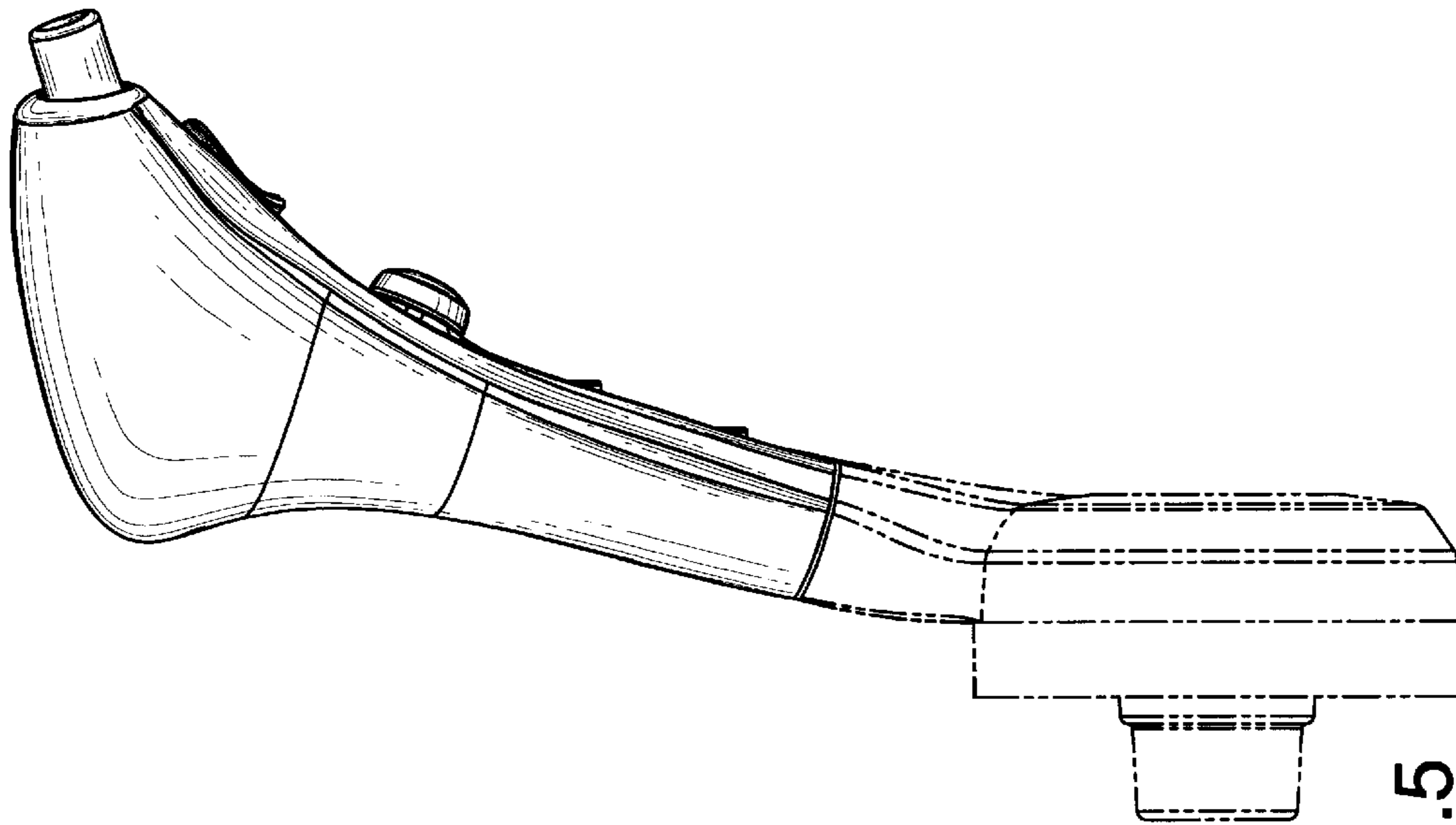


FIG. 5