

US00D508225S

(12) **United States Design Patent**
Scheepers et al.

(10) **Patent No.:** **US D508,225 S**

(45) **Date of Patent:** **** Aug. 9, 2005**

(54) **SURFACE CONFIGURATION OF TANK COVER**

(75) **Inventors:** **Stef Scheepers, Moensheim (DE); Grant Larson, Ludwigsburg (DE)**

(73) **Assignee:** **Dr. Ing. h.c.F. Porsche Aktiengesellschaft, Stuttgart (DE)**

(**) **Term:** **14 Years**

(21) **Appl. No.:** **29/215,456**

(22) **Filed:** **Oct. 20, 2004**

(30) **Foreign Application Priority Data**

Apr. 30, 2004 (DE) 4 04 02 725

(51) **LOC (8) Cl.** **12-16**

(52) **U.S. Cl.** **D12/197**

(58) **Field of Search** D12/197, 110, D12/114, 198, 218; D7/398, 598, 619; D8/107-108, 310-312; D15/5; D9/451-454, 435; 280/830; 220/86.1-86.3, 12, 32-33, 288, DIG. 5

(56) **References Cited**

U.S. PATENT DOCUMENTS

D166,874 S * 5/1952 Reed D8/311

D191,039 S * 8/1961 Johnson D12/197
D394,184 S * 5/1998 Demore D7/391
D443,496 S * 6/2001 DeCosse D8/310
D453,011 S * 1/2002 Canady D12/197
D455,107 S * 4/2002 Zimmerman D12/197
D459,284 S * 6/2002 Canady D12/197
D477,554 S * 7/2003 Keefer et al. D12/197

* cited by examiner

Primary Examiner—Stacia Cadmus

(74) *Attorney, Agent, or Firm*—Crowell & Moring LLP

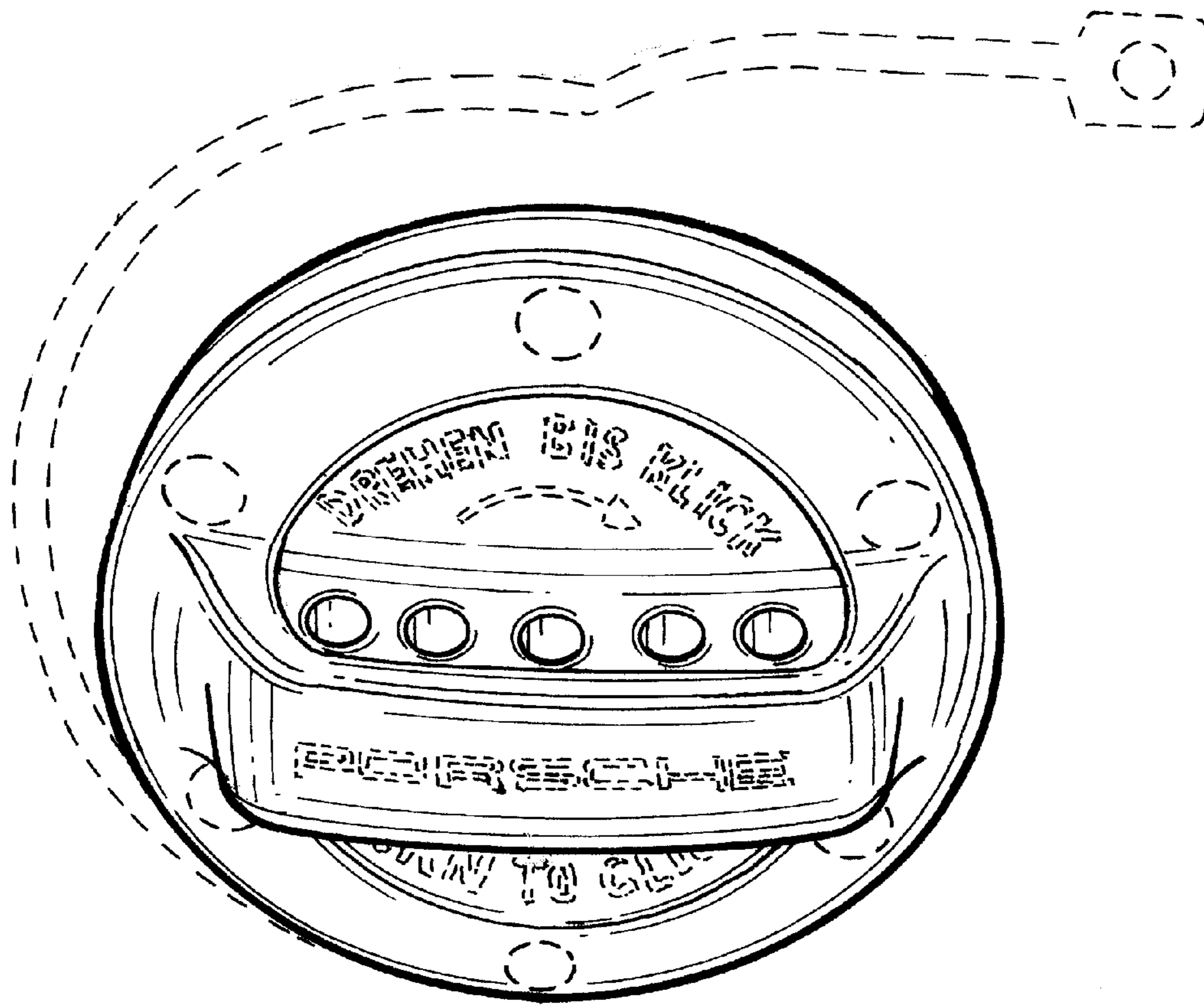
(57) **CLAIM**

The ornamental design for a surface configuration of tank cover, as shown and described.

DESCRIPTION

FIG. 1 is a top perspective view of a surface configuration of tank cover according to our novel design; FIG. 2 is a front view of the surface configuration of tank cover according to our novel design; FIG. 3 is a top view of the surface configuration of tank cover according to our novel design; and, FIG. 4 is a side view of the surface configuration of tank cover according to our novel design. The broken lines are for illustrative purposes only and form no part of the claimed design.

1 Claim, 2 Drawing Sheets



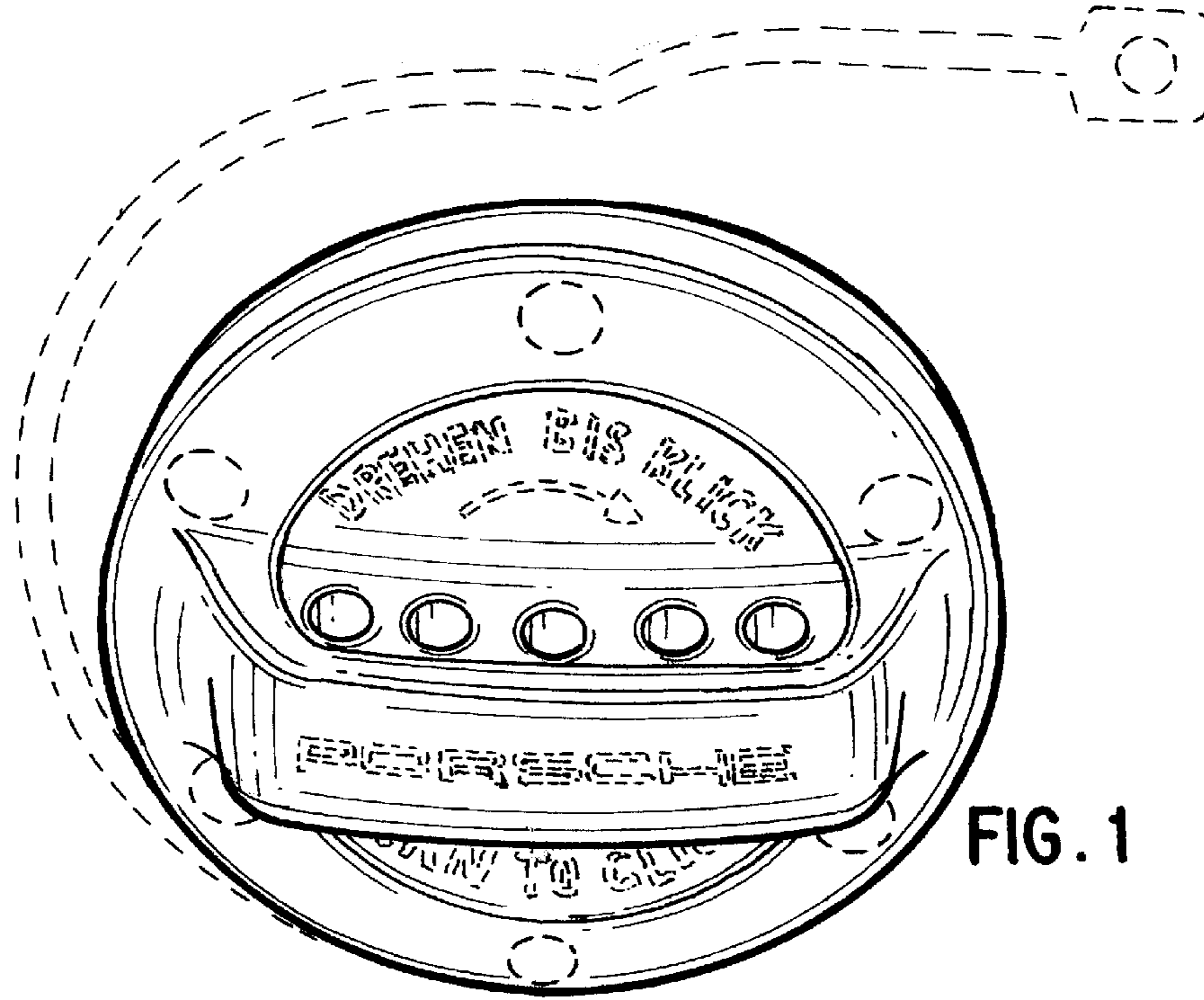


FIG. 1

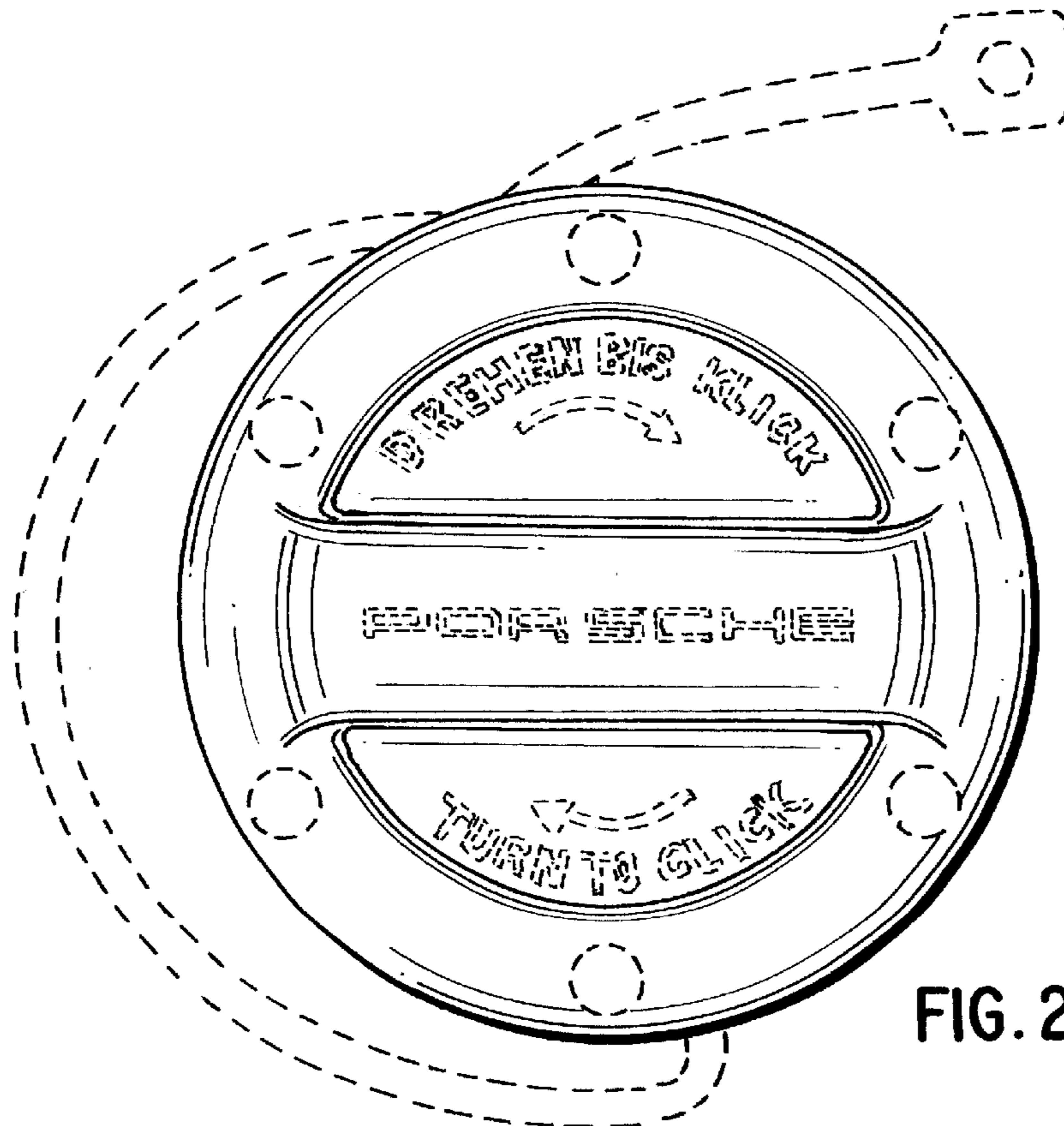


FIG. 2

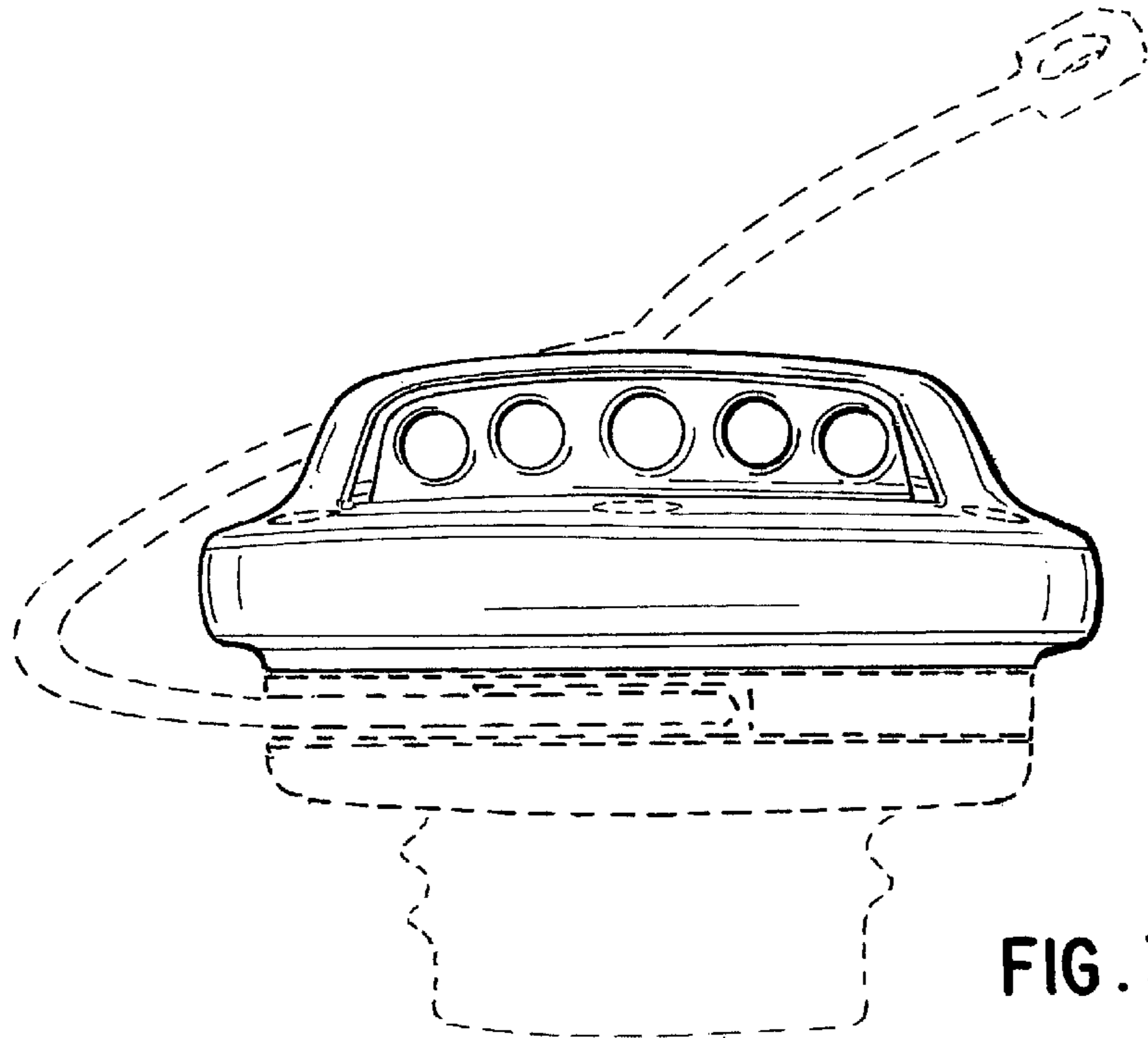


FIG. 3

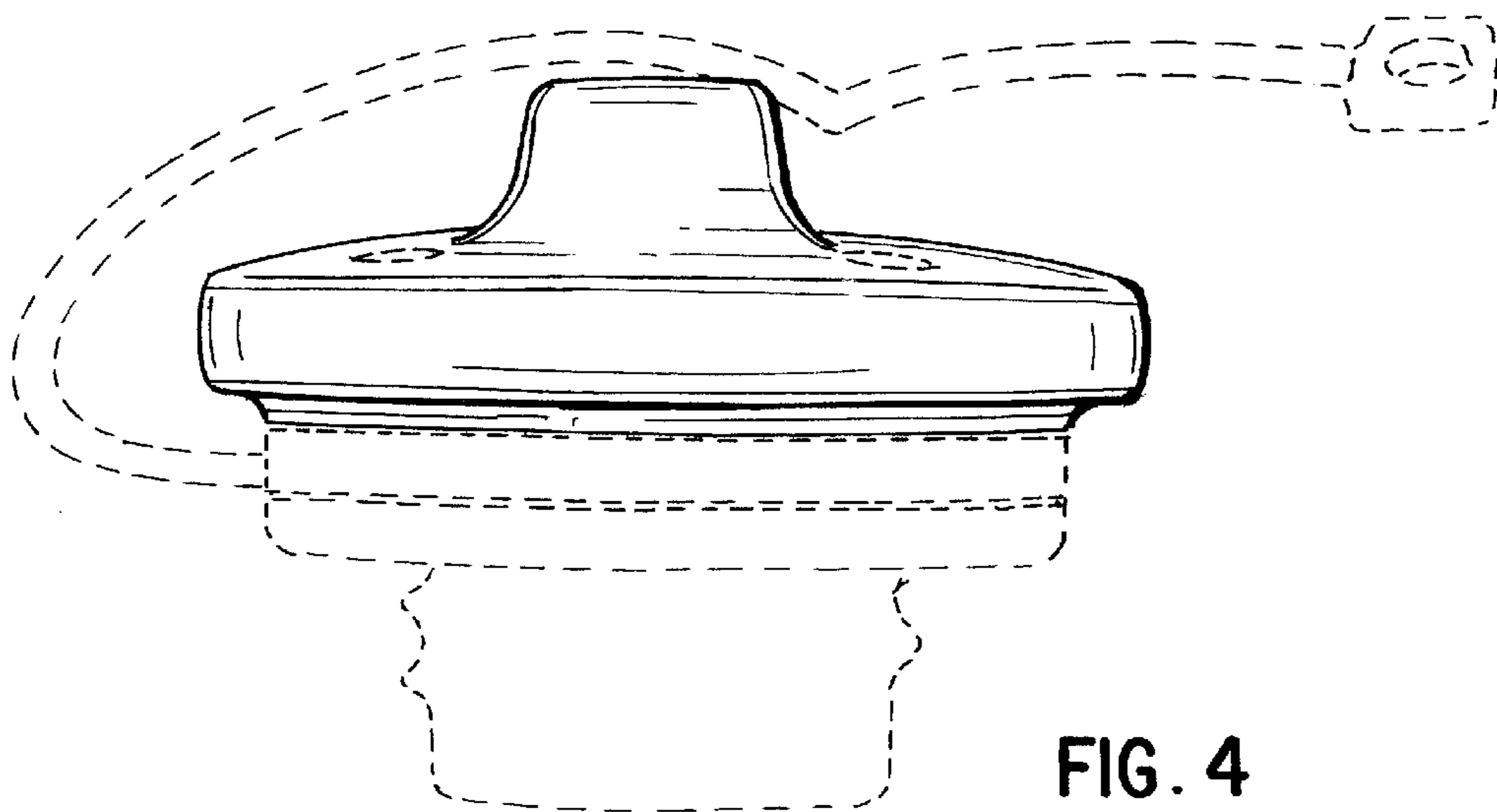


FIG. 4