

US00D508223S

(12) **United States Design Patent**
Mays et al.

(10) **Patent No.: US D508,223 S**

(45) **Date of Patent: ** Aug. 9, 2005**

(54) **FENDER**

D469,045 S * 1/2003 Murkett D12/196
D491,856 S * 6/2004 Velazco D12/196

(75) Inventors: **J C. Mays**, Dearborn, MI (US); **Larry R. Erickson**, Birmingham, MI (US)

OTHER PUBLICATIONS

40 Pages—Photographs of Commercial Parts.

(73) Assignee: **Ford Global Technologies, LLC**, Dearborn, MI (US)

* cited by examiner

(**) Term: **14 Years**

Primary Examiner—Melody N. Brown

(74) *Attorney, Agent, or Firm*—Gigette M. Bejin

(21) Appl. No.: **29/194,541**

(57) **CLAIM**

(22) Filed: **Nov. 26, 2003**

The ornamental design for a fender, as shown and described.

(51) **LOC (8) Cl.** **12-16**

DESCRIPTION

(52) **U.S. Cl.** **D12/184**; D12/196

FIG. 1 is a perspective view of a fender showing our new design.

(58) **Field of Search** D12/196, 184,
D12/190, 90-92; 280/152.1, 847-849, 851;
296/185

FIG. 2 is a top plan view of the fender of FIG. 1;
FIG. 3 is a front view of the fender of FIG. 1; and,
FIG. 4 is a side view of the fender of FIG. 1.

(56) **References Cited**

The automobile and structure shown in broken lines throughout the drawing are for illustrative purposes only and form no part of the claimed design.

U.S. PATENT DOCUMENTS

D317,586 S * 6/1991 Yoshinao et al. D12/184
D328,586 S * 8/1992 Guelfi et al. D12/184
D417,424 S * 12/1999 Horbury et al. D12/196

1 Claim, 2 Drawing Sheets

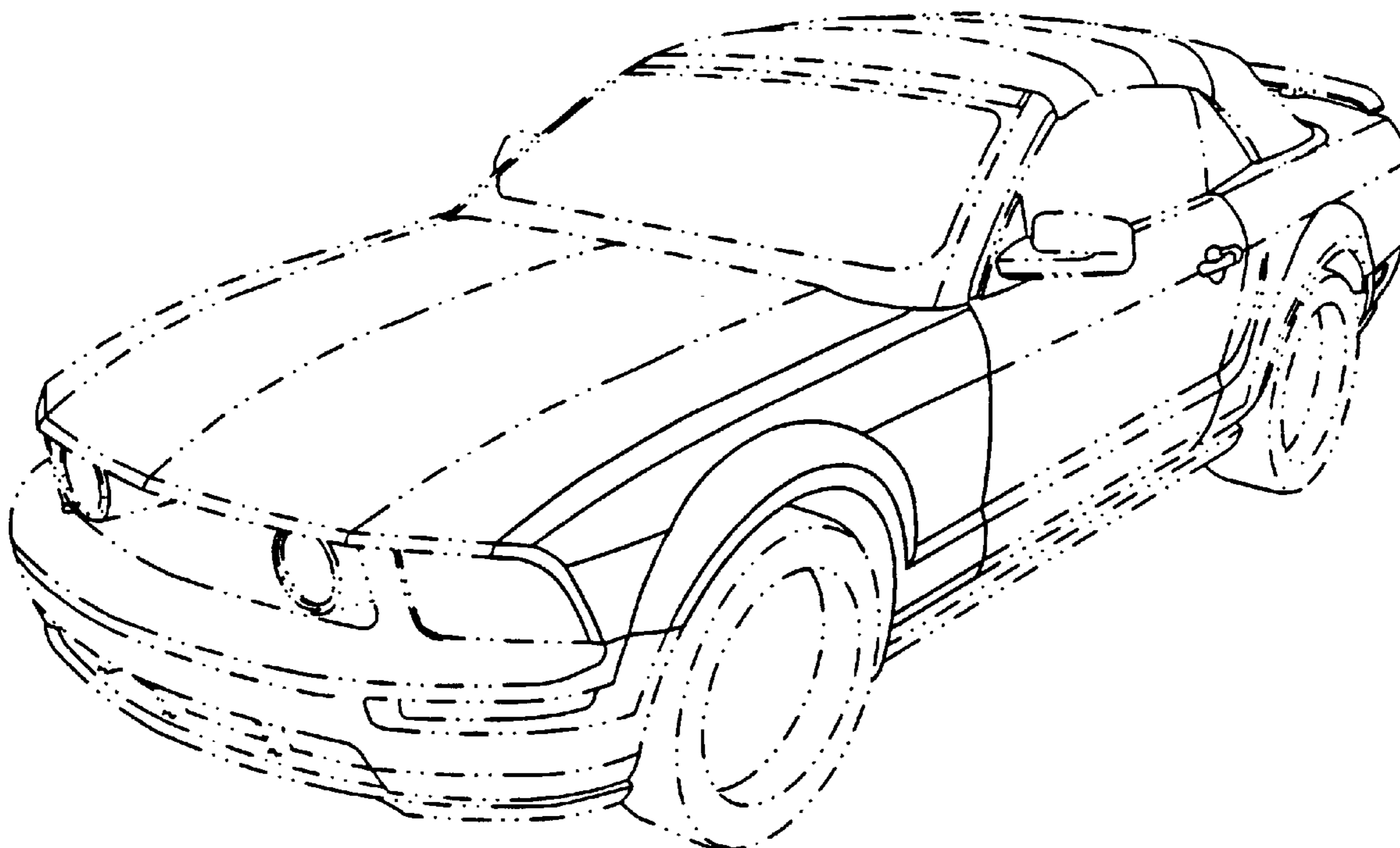


Figure 1

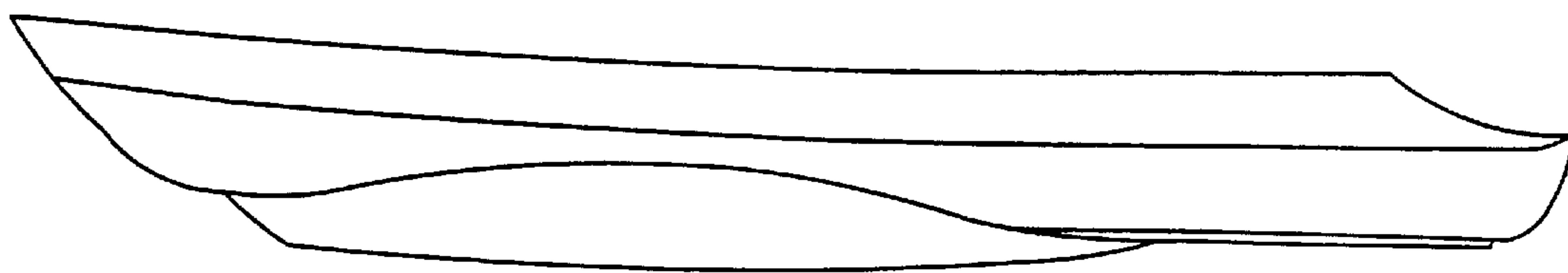
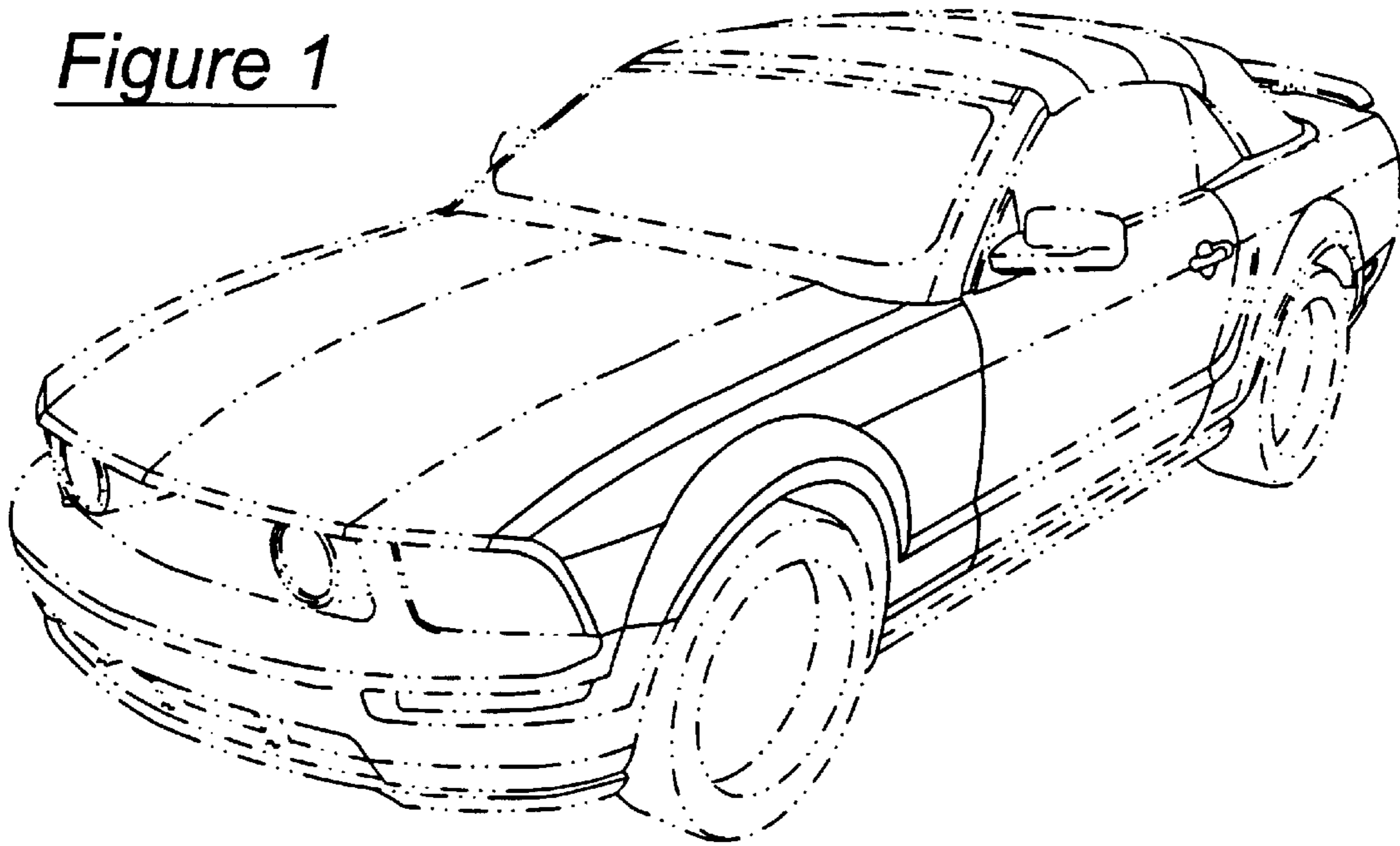


Figure 2

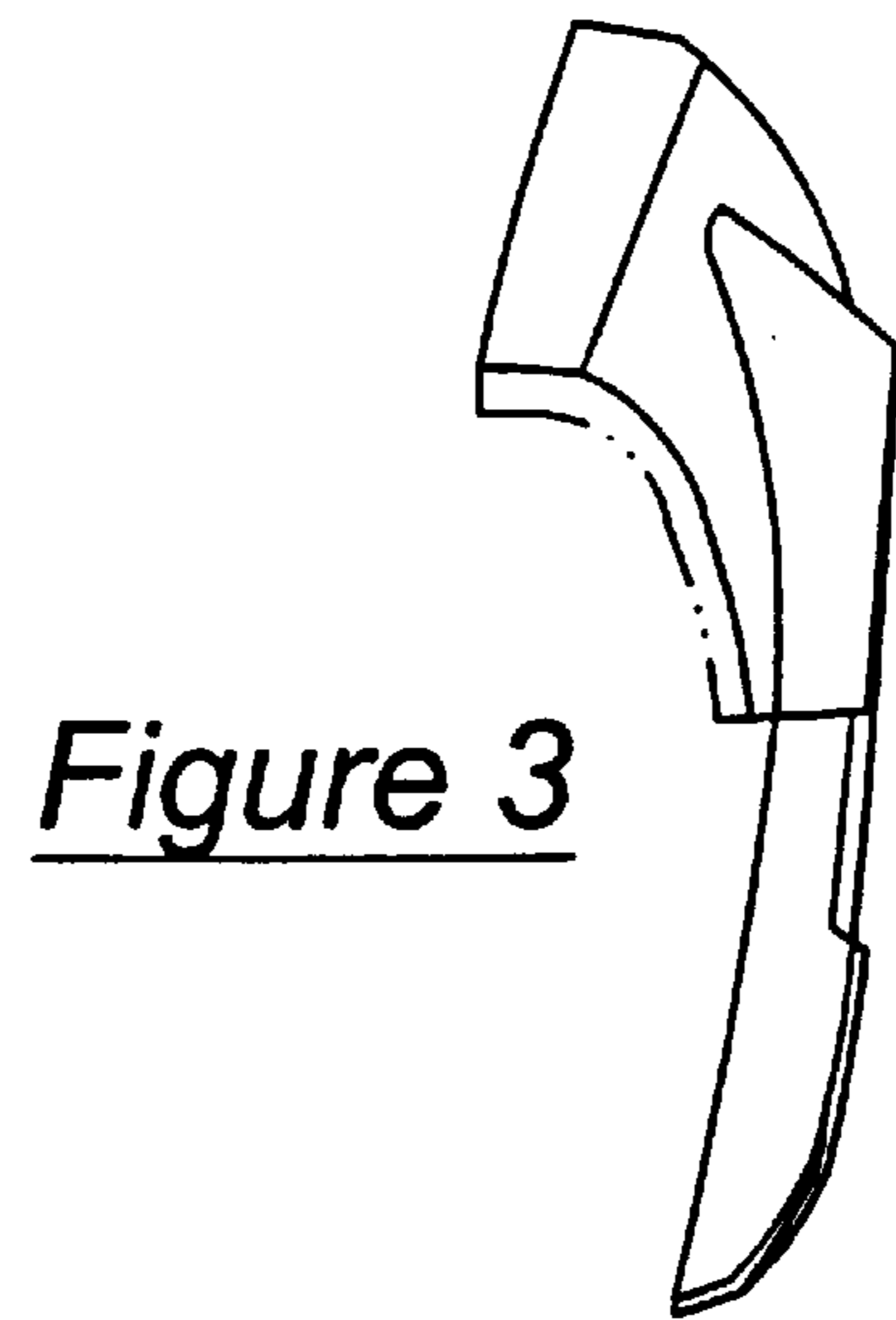


Figure 3

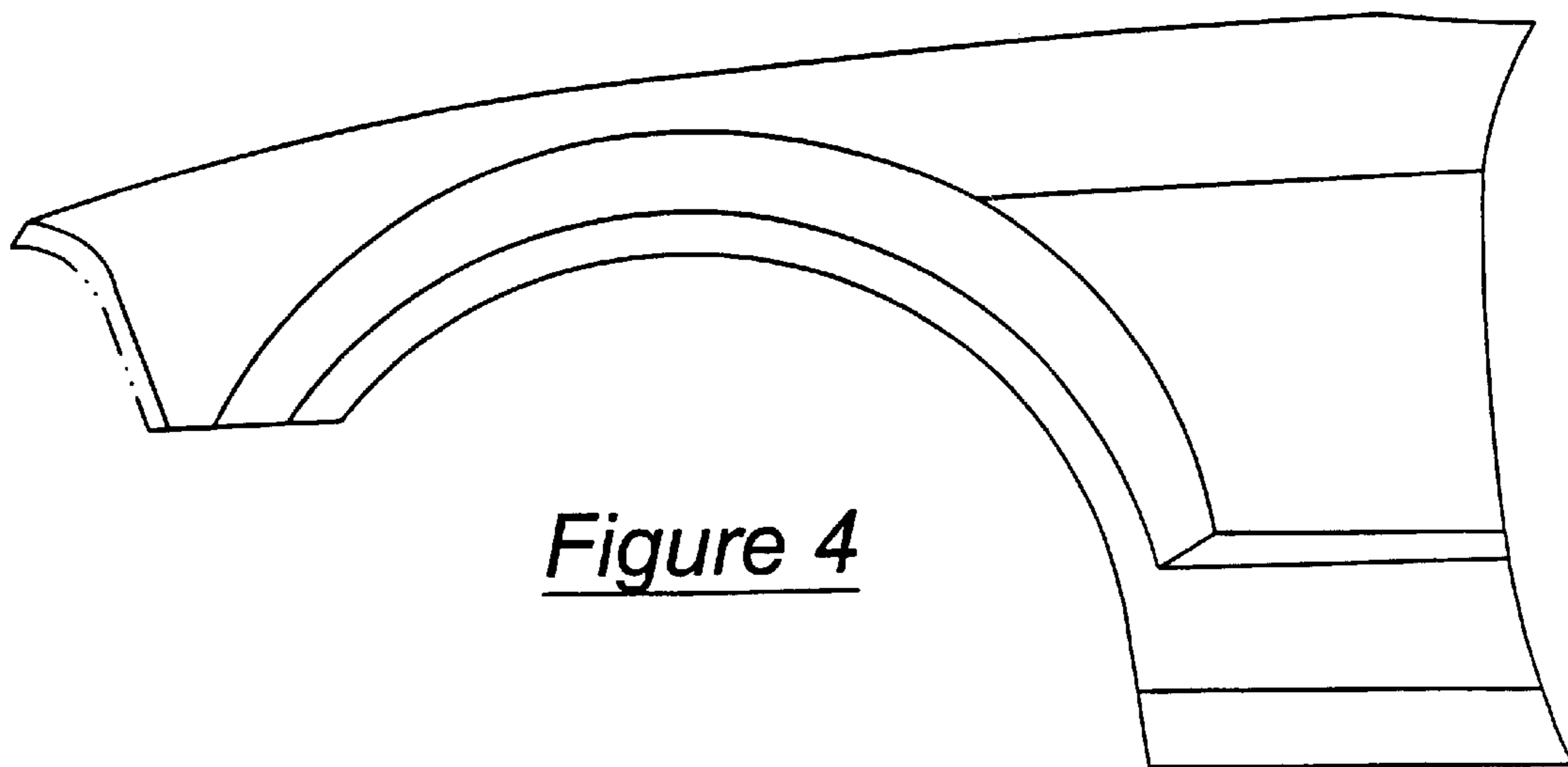


Figure 4