

US00D508214S

(12) **United States Design Patent**
Budrow et al.

(10) **Patent No.:** **US D508,214 S**

(45) **Date of Patent:** **** Aug. 9, 2005**

(54) **PIVOTPOINT LASER LEVEL**

D499,031 S * 11/2004 Liao D10/69
D500,734 S * 1/2005 Puri et al. D13/101

(75) Inventors: **William B. Budrow**, Long Beach, CA
(US); **Stephen B. Munshi**, Los
Angeles, CA (US)

* cited by examiner

Primary Examiner—Antoine D. Davis

(73) Assignee: **AWI Acquisition Company**, Sylmar,
CA (US)

(74) *Attorney, Agent, or Firm*—Jack C. Munro

(**) Term: **14 Years**

(57) **CLAIM**

The ornamental design for pivotpoint laser level, as shown
and described.

(21) Appl. No.: **29/213,933**

DESCRIPTION

(22) Filed: **Sep. 24, 2004**

(51) **LOC (8) Cl.** **10-04**

FIG. 1 is a rear side elevational view of the pivotpoint laser
level showing my new design;

(52) **U.S. Cl.** **D10/69**

FIG. 2 is a right side elevational view thereof;

(58) **Field of Search** D10/69; 33/365,
33/366.11–366.27, 367–390

FIG. 3 is a left side elevational view thereof;

FIG. 4 is a top elevational view thereof;

FIG. 5 is a front elevational view thereof; and,

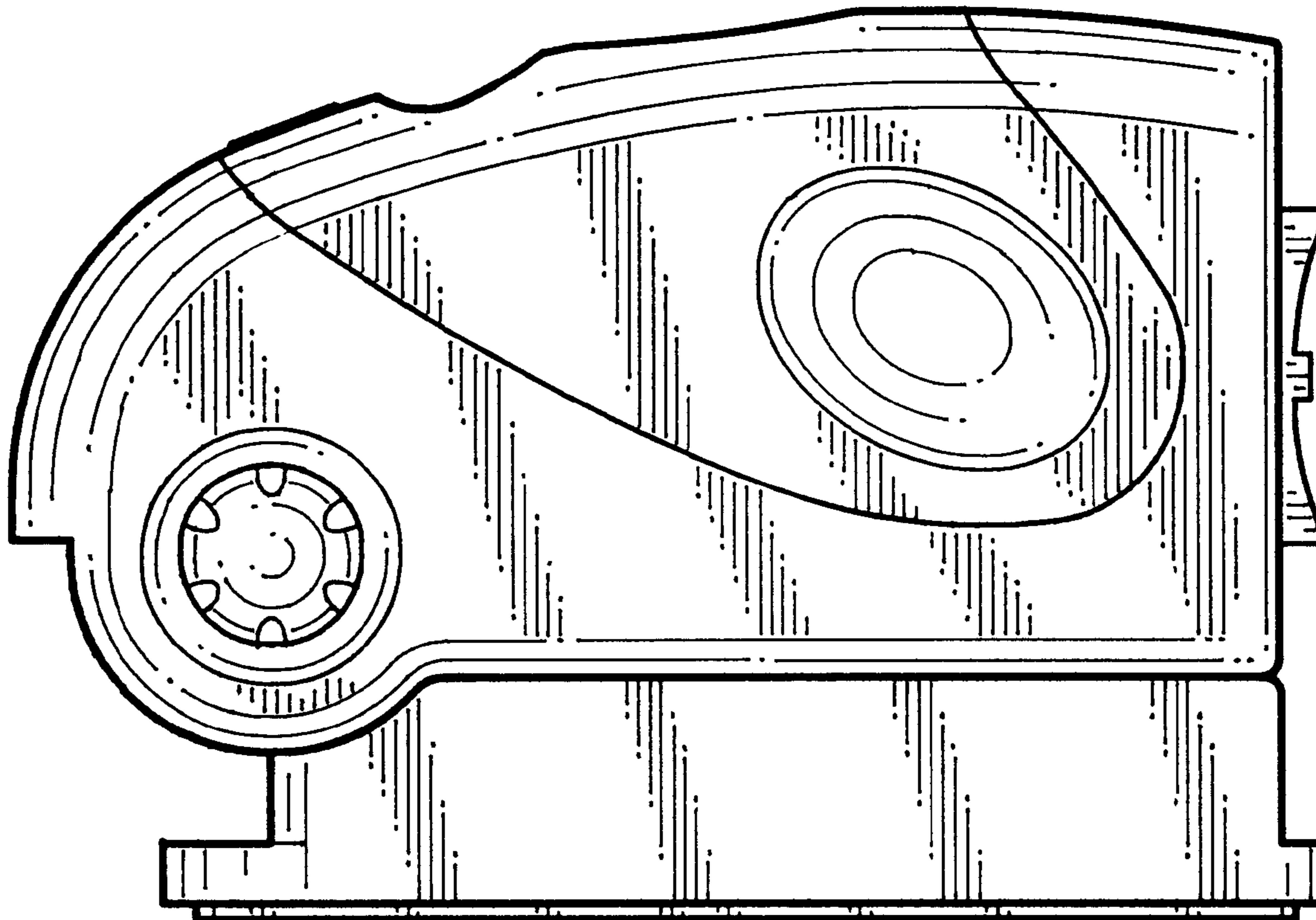
FIG. 6 is a bottom plan view thereof.

(56) **References Cited**

U.S. PATENT DOCUMENTS

D495,263 S * 8/2004 Liao D10/69

1 Claim, 2 Drawing Sheets



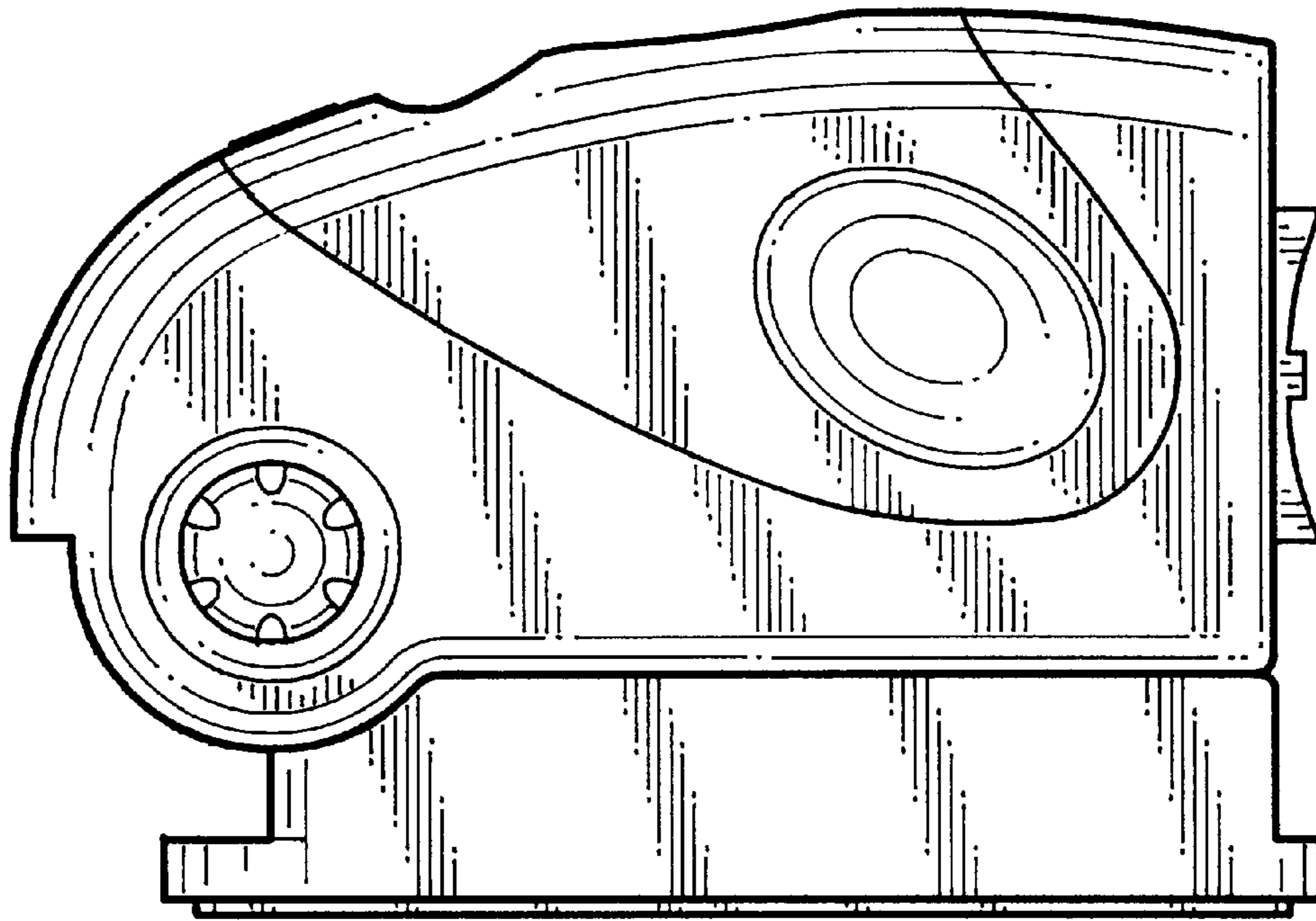


FIG. 1

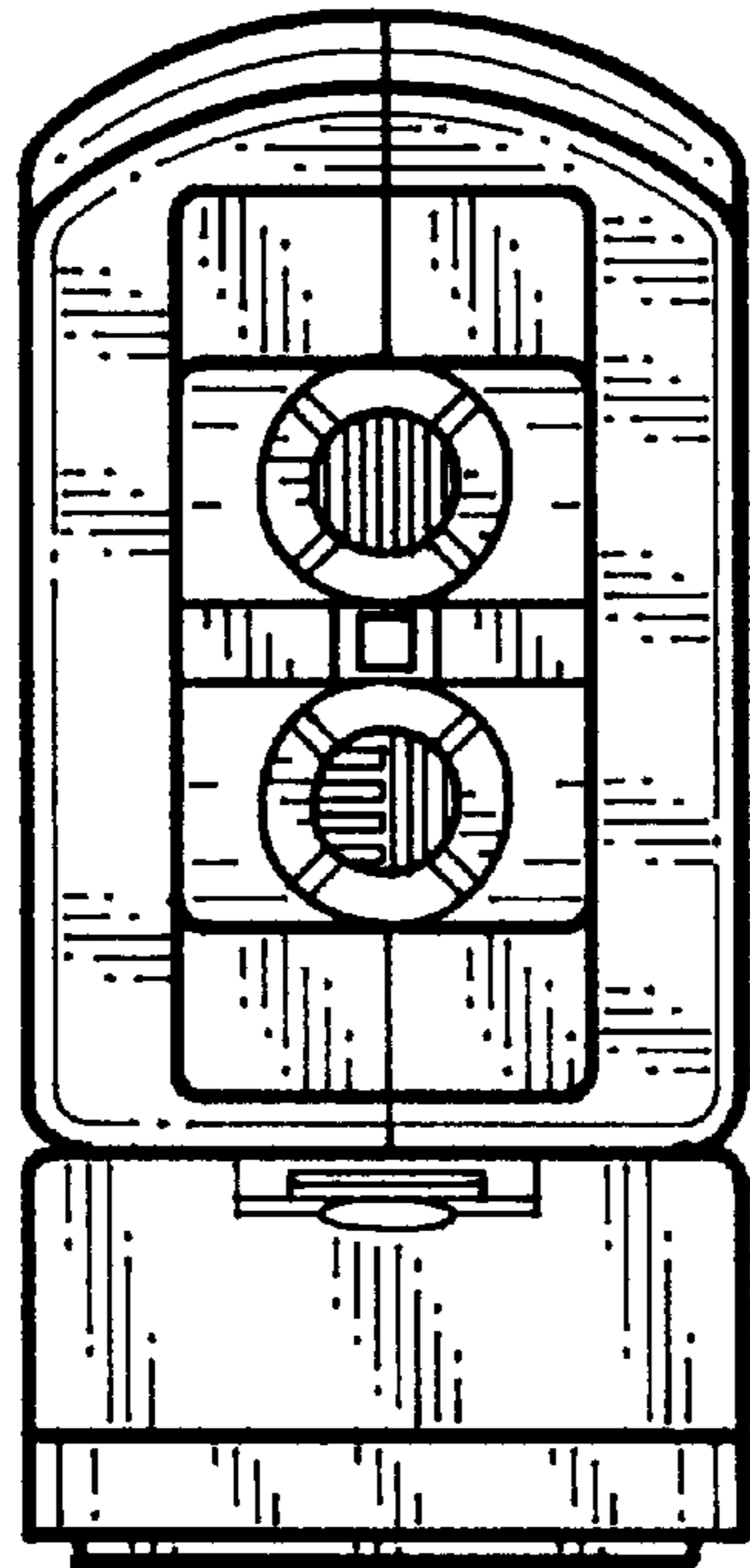


FIG. 2

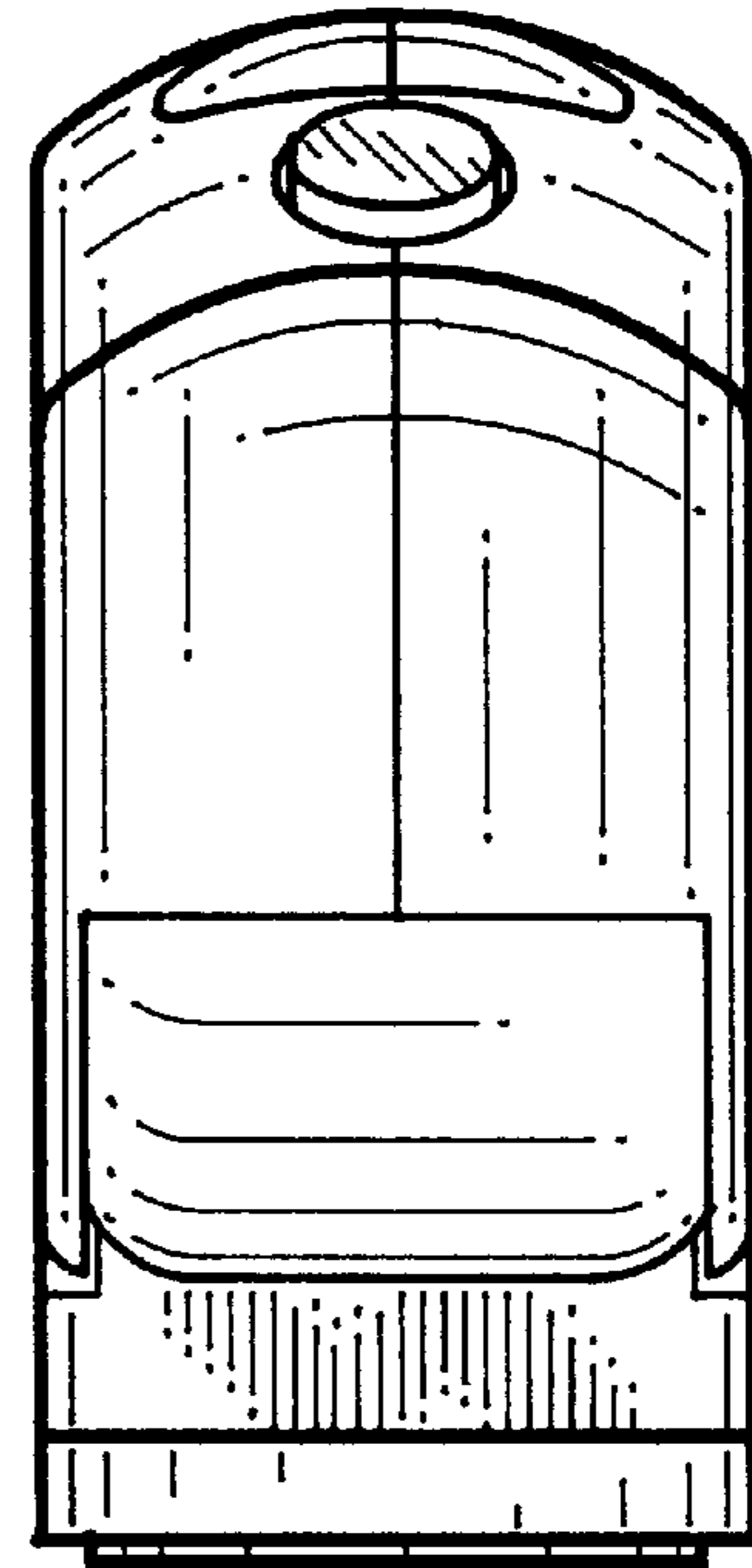


FIG. 3

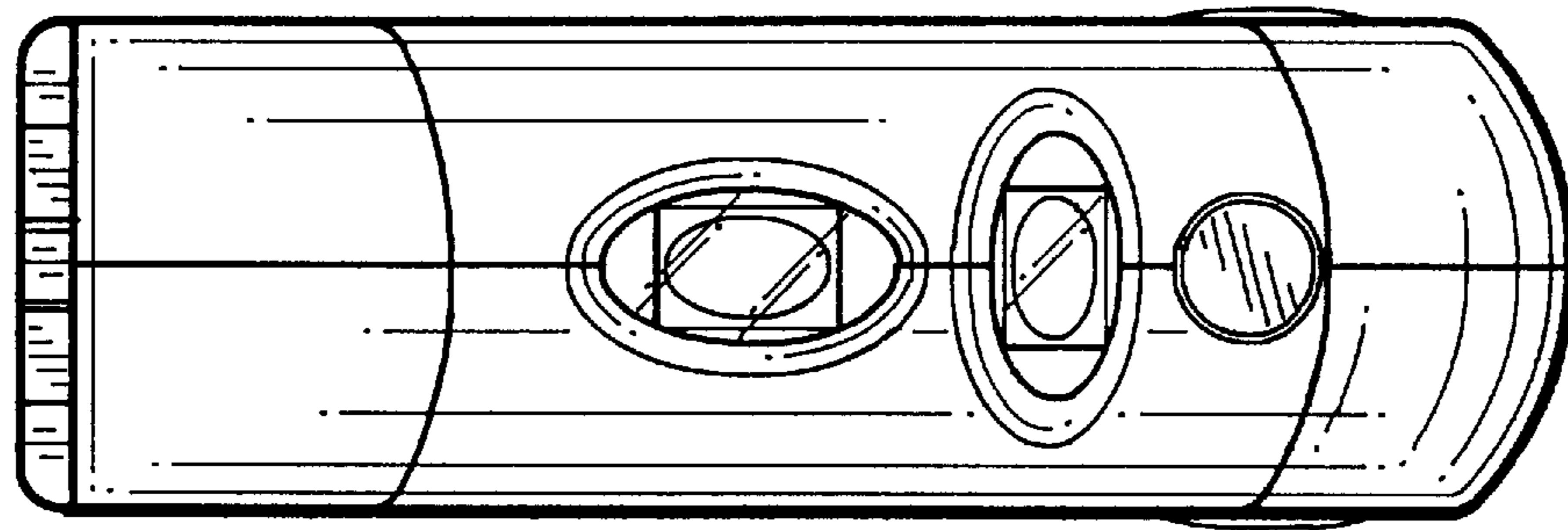


FIG. 4

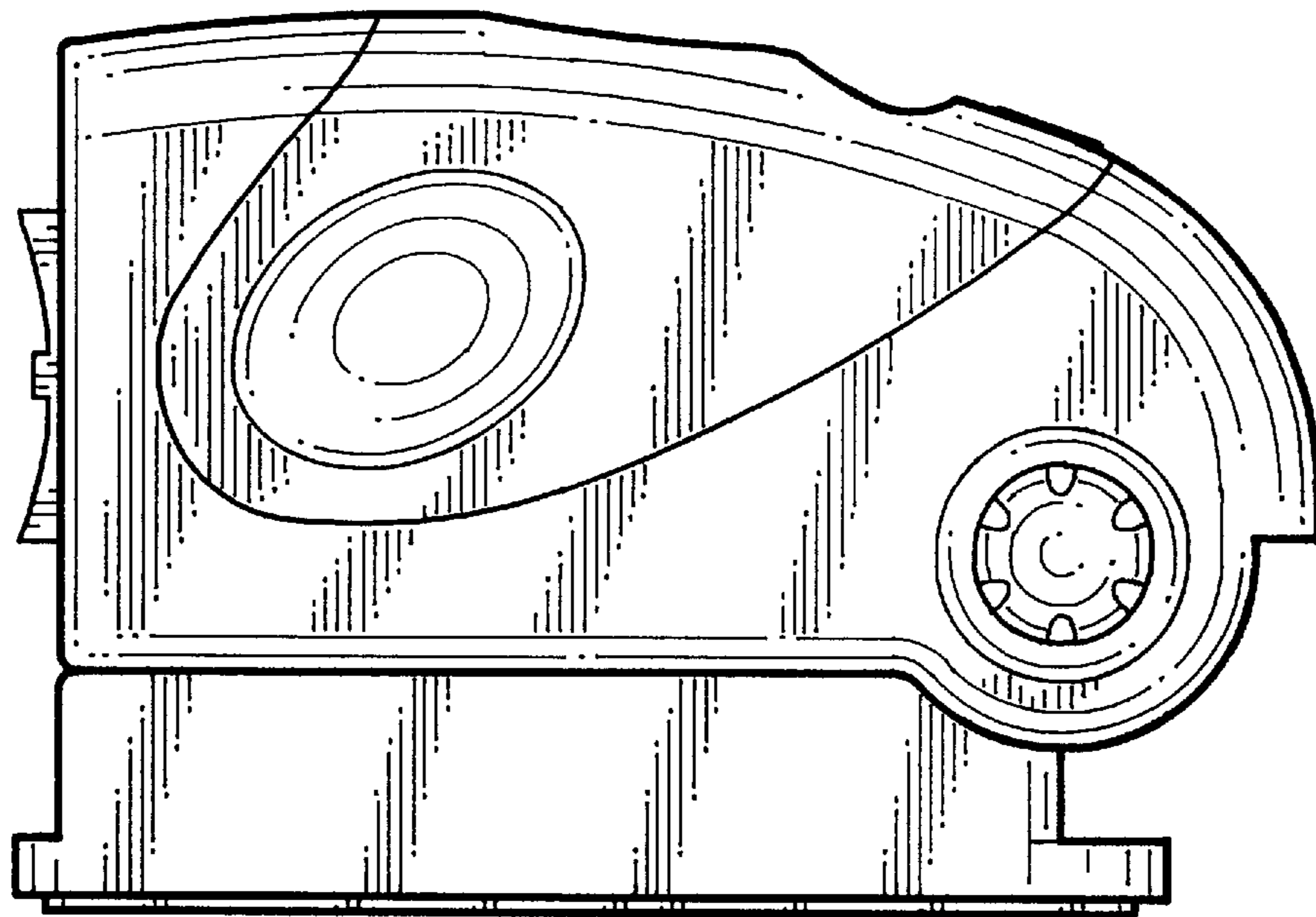


FIG. 5

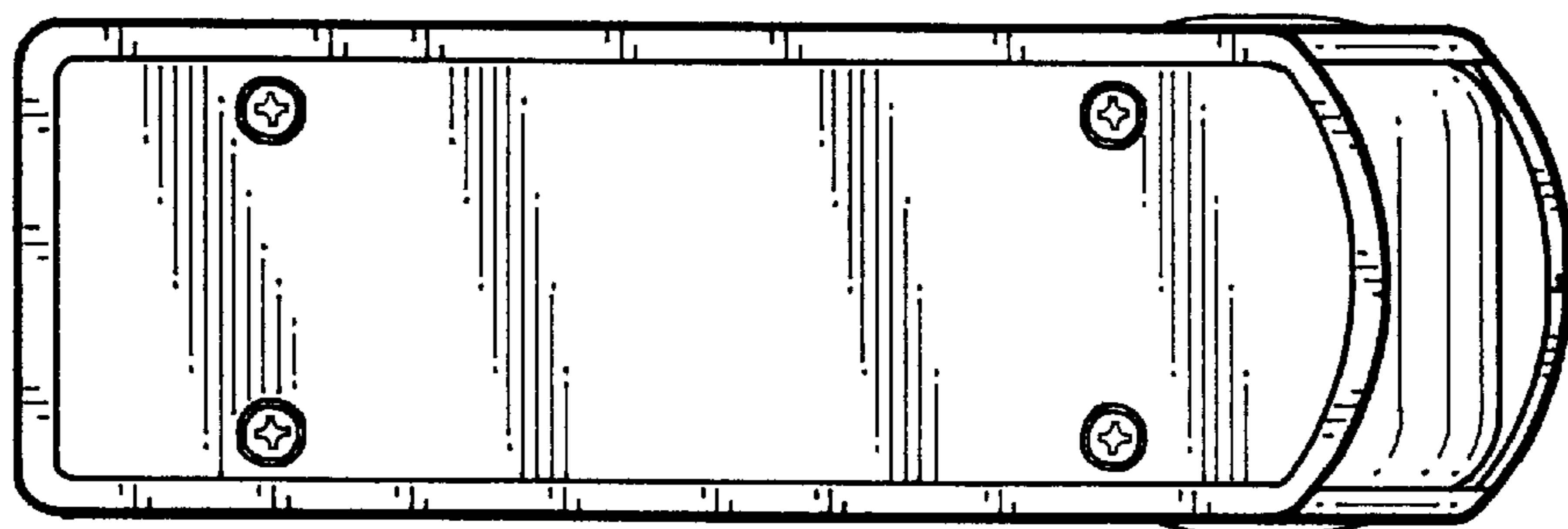


FIG. 6