

US00D508212S

(12) **United States Design Patent**
Scheufele

(10) **Patent No.:** **US D508,212 S**

(45) **Date of Patent:** **** Aug. 9, 2005**

(54) **WATCH CHRONOGRAPH**

(75) **Inventor:** **Karl-Friedrich Scheufele**, rte de Promenthoux (CH)

(73) **Assignee:** **Chopard International S.A.**, Prangins (CH)

(**) **Term:** **14 Years**

(21) **Appl. No.:** **29/215,062**

(22) **Filed:** **Oct. 13, 2004**

(30) **Foreign Application Priority Data**

Apr. 19, 2004 (WO) DM/065 293

(51) **LOC (8) Cl.** **10-02**

(52) **U.S. Cl.** **D10/39**

(58) **Field of Search** D10/30-39; 368/280-282, 368/276-277, 285, 293-294

(56) **References Cited**

U.S. PATENT DOCUMENTS

D75,549 S * 6/1928 Connant D10/38
1,731,712 A * 10/1929 Davis 368/296

D244,761 S * 6/1977 Sulek D10/38
D333,102 S * 2/1993 Burgener D10/39
D391,176 S * 2/1998 Bulgari D10/39
D441,664 S * 5/2001 Modolo D10/32
D459,242 S * 6/2002 Wunderman D10/32
D462,909 S * 9/2002 Cattin D10/39
D490,000 S * 5/2004 Lassigne D10/32

* cited by examiner

Primary Examiner—Nelson C. Holtje

(74) *Attorney, Agent, or Firm*—McGlew and Tuttle, P.C.

(57) **CLAIM**

The ornamental design for a watch chronograph, as shown and described.

DESCRIPTION

FIG. 1 is a right side view of my new watch chronograph; FIG. 2 is a top view thereof; FIG. 3 is a left side view thereof; FIG. 4 is a front end view thereof; FIG. 5 is a bottom view thereof; FIG. 6 is a rear end view thereof; and, FIG. 7 is a perspective view thereof.

1 Claim, 1 Drawing Sheet



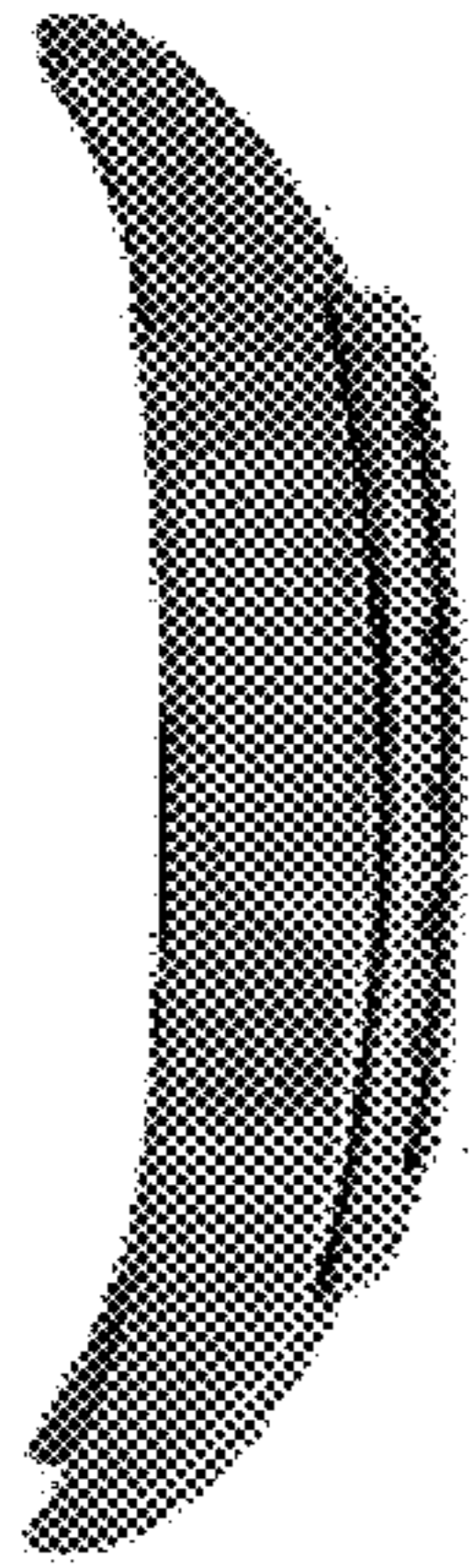


Fig. 1



Fig. 2

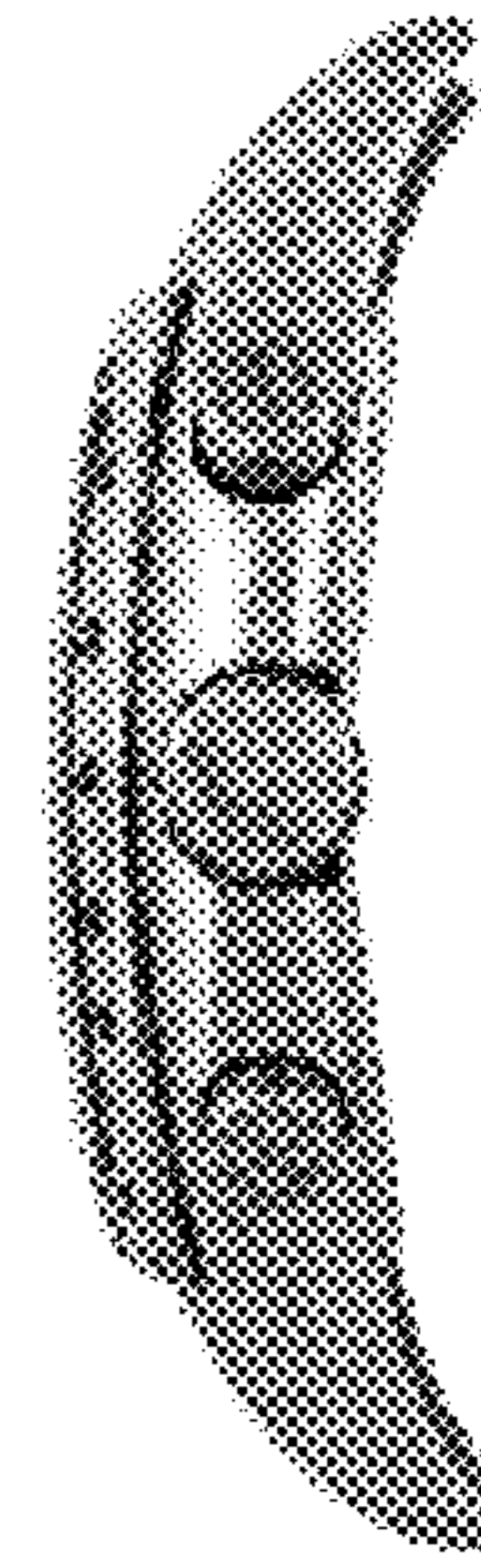


Fig. 3

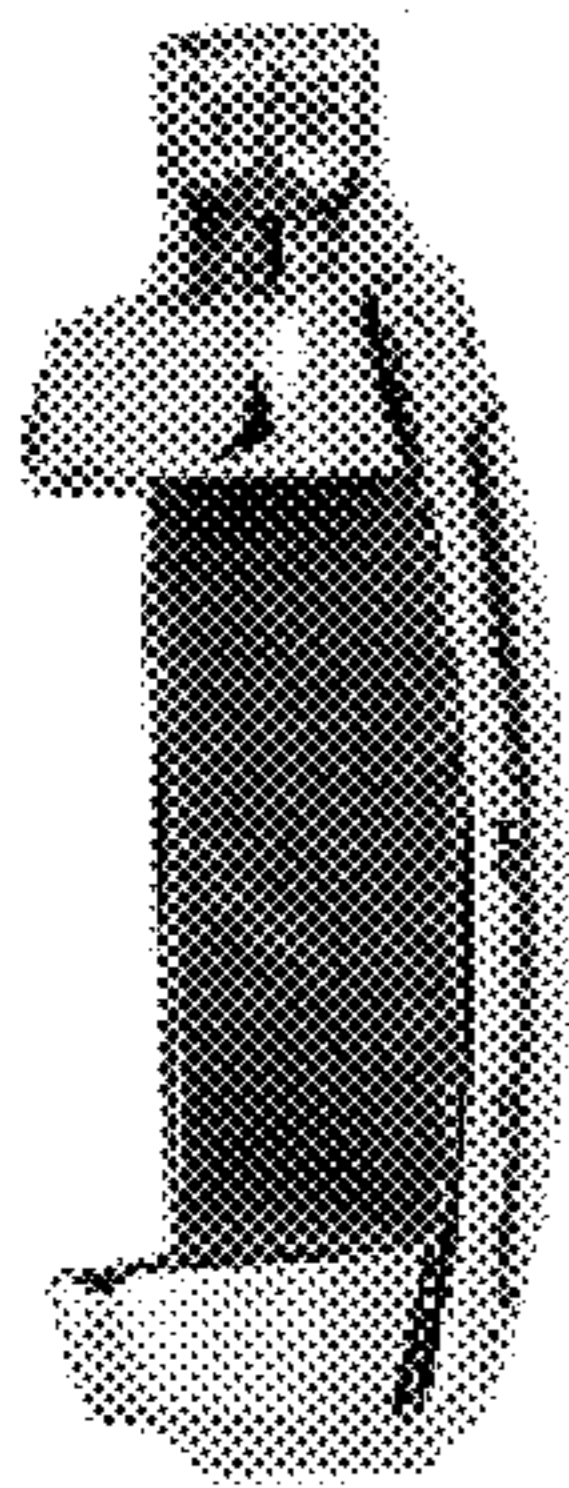


Fig. 4

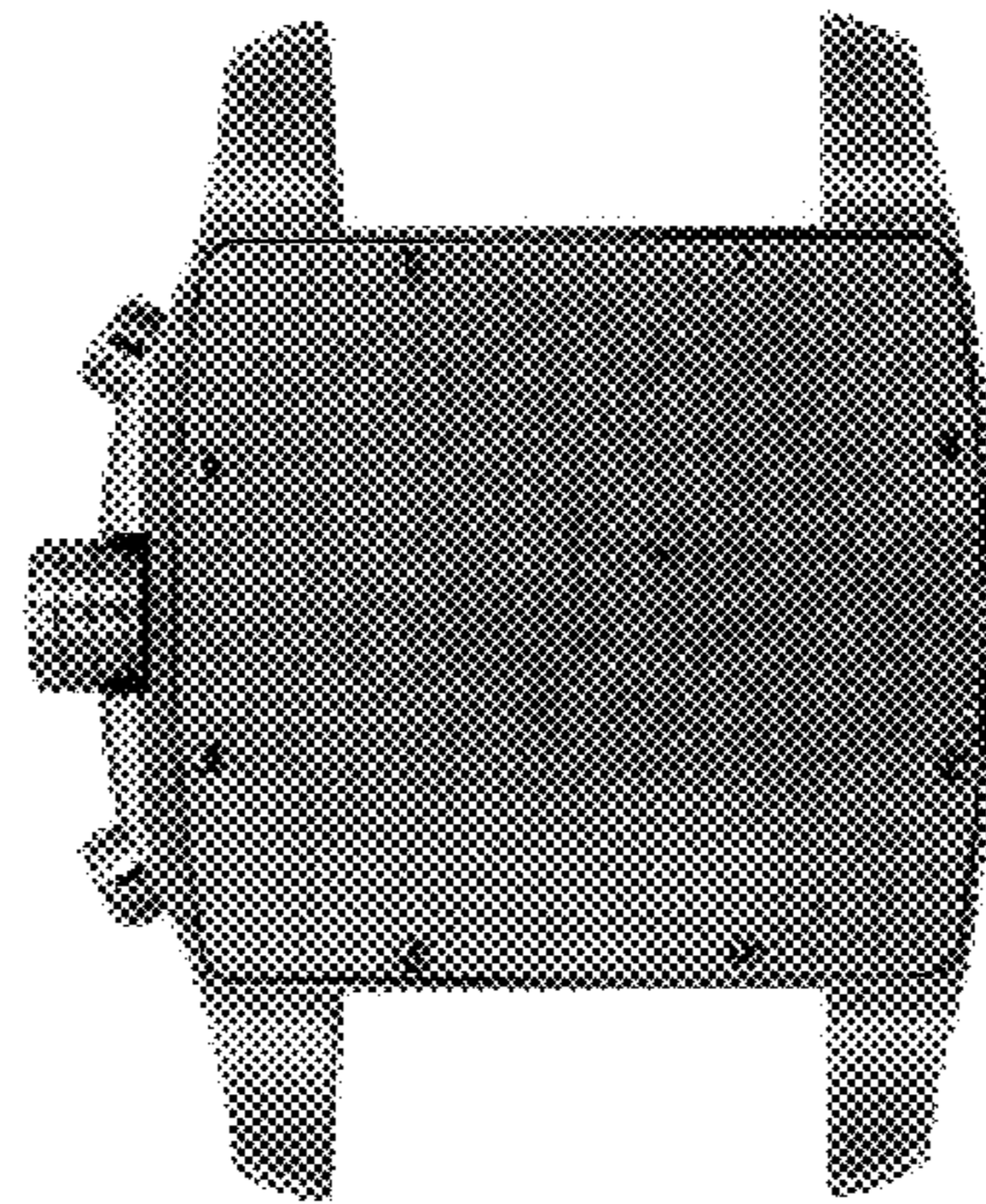


Fig. 5

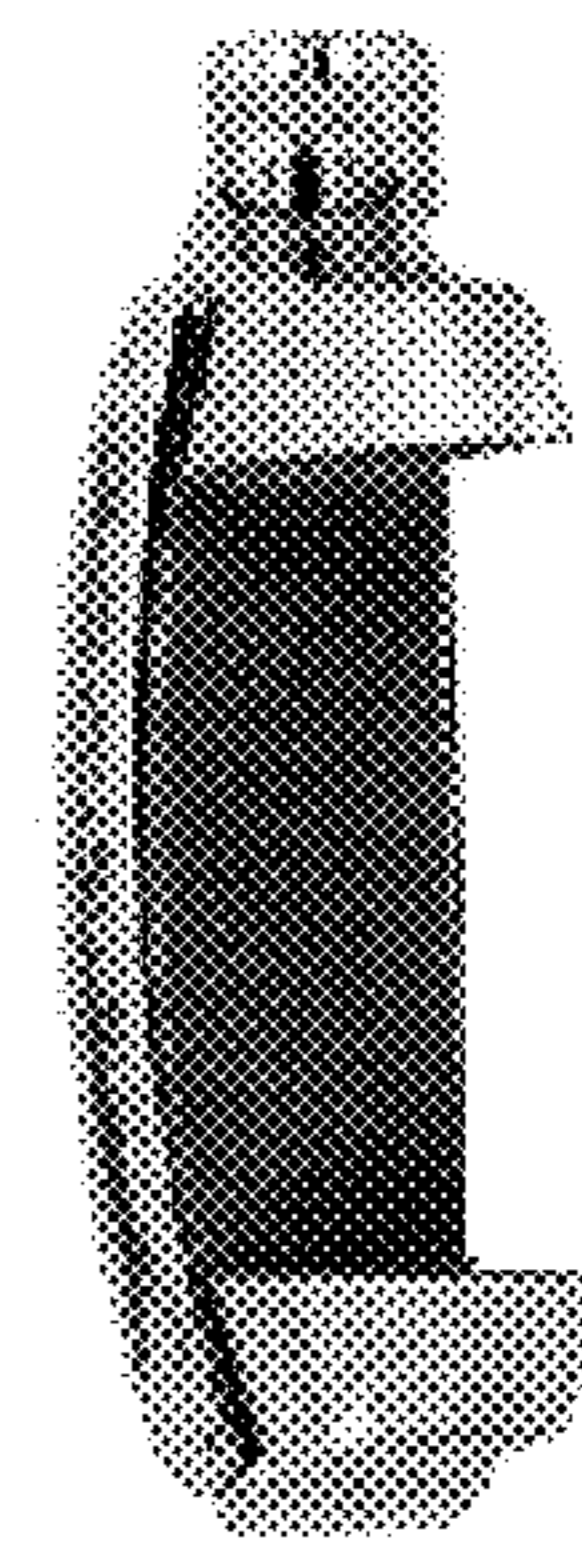


Fig. 6

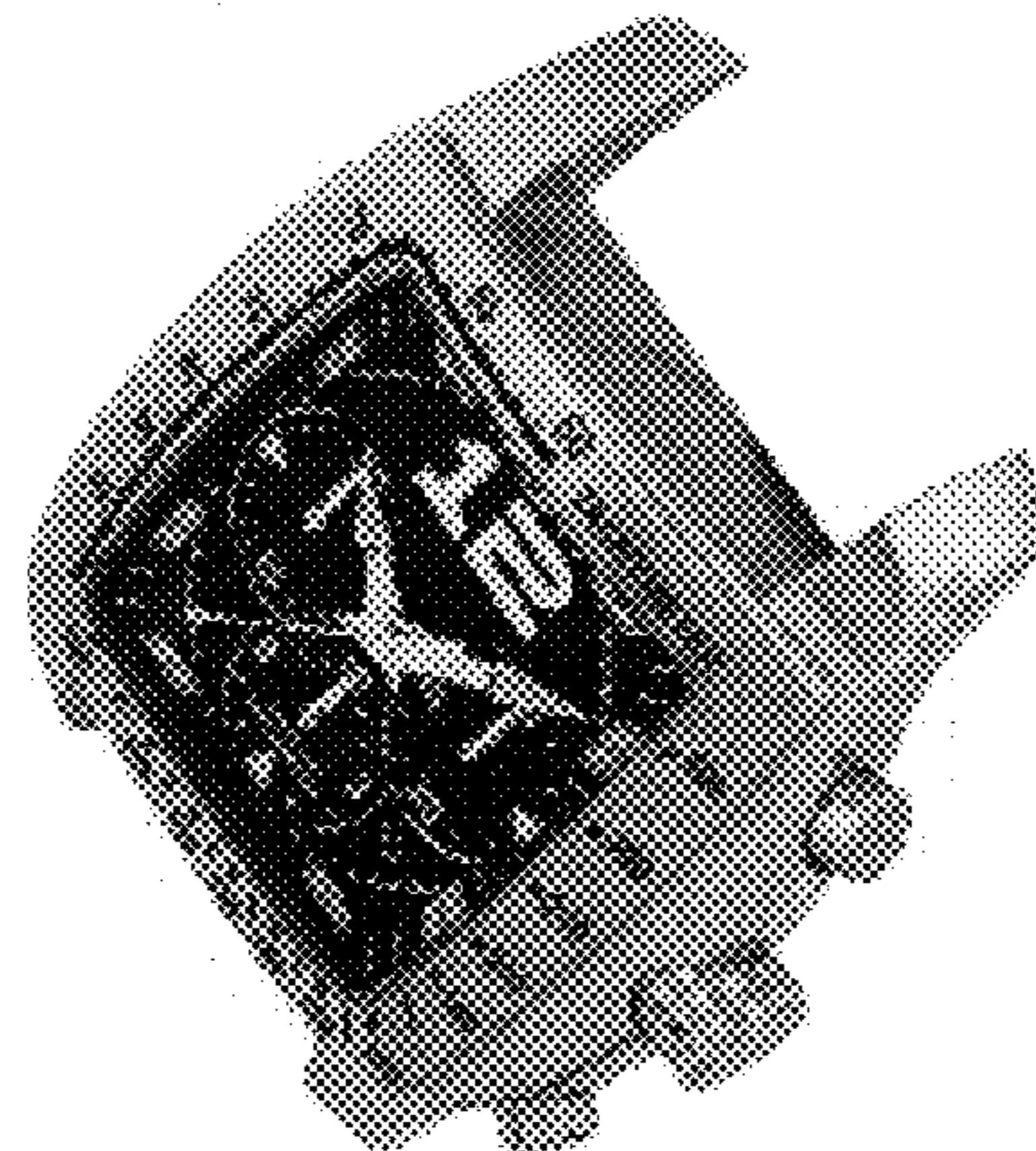


Fig. 7