

US00D508203S

(12) **United States Design Patent**  
**Ziegenhorn et al.**

(10) **Patent No.:** **US D508,203 S**

(45) **Date of Patent:** **\*\* Aug. 9, 2005**

(54) **CHILD-RESISTANT CLOSURE**

(75) **Inventors:** **David Ziegenhorn**, Grayslake, IL (US);  
**Robert A. Simpson**, Grayslake, IL (US)

(73) **Assignee:** **Crown Packaging Technology, Inc.**,  
Alsip, IL (US)

(\*\*) **Term:** **14 Years**

(21) **Appl. No.:** **29/211,138**

(22) **Filed:** **Aug. 11, 2004**

(51) **LOC (8) Cl.** ..... **09-07**

(52) **U.S. Cl.** ..... **D9/449**

(58) **Field of Search** ..... D9/759, 751, 741,  
D9/739, 737, 515, 499, 454, 453, 434,  
446-450, 439-440, 435, 436; D7/398, 392;  
383/80; 222/575, 566, 556, 553, 544-546,  
491; 215/237

(56) **References Cited**

**U.S. PATENT DOCUMENTS**

3,623,622 A	11/1971	Sullivan	
3,627,160 A	12/1971	Horvath	
4,002,275 A	1/1977	Crowle et al.	
5,097,974 A	3/1992	Rozenberg	
D350,482 S	* 9/1994	Hu et al. ....	D9/448
5,533,649 A	7/1996	Von Schuckmann	
D374,399 S	* 10/1996	Neveras et al. ....	D9/447
5,579,957 A	* 12/1996	Gentile et al. ....	222/556

5,779,072 A	7/1998	Krebs	
6,116,477 A	* 9/2000	Kreiseder et al. ....	222/556
D434,659 S	* 12/2000	Lonczak et al. ....	D9/449
6,330,959 B1	12/2001	Dark	
6,484,895 B2	11/2002	Montgomery et al.	

**FOREIGN PATENT DOCUMENTS**

WO WO 97/37900 10/1997

\* cited by examiner

*Primary Examiner*—Robert M. Spear

*Assistant Examiner*—Susan Bennett Hattan

(74) *Attorney, Agent, or Firm*—Knoble Yoshida &  
Dunleavy, LLC

(57) **CLAIM**

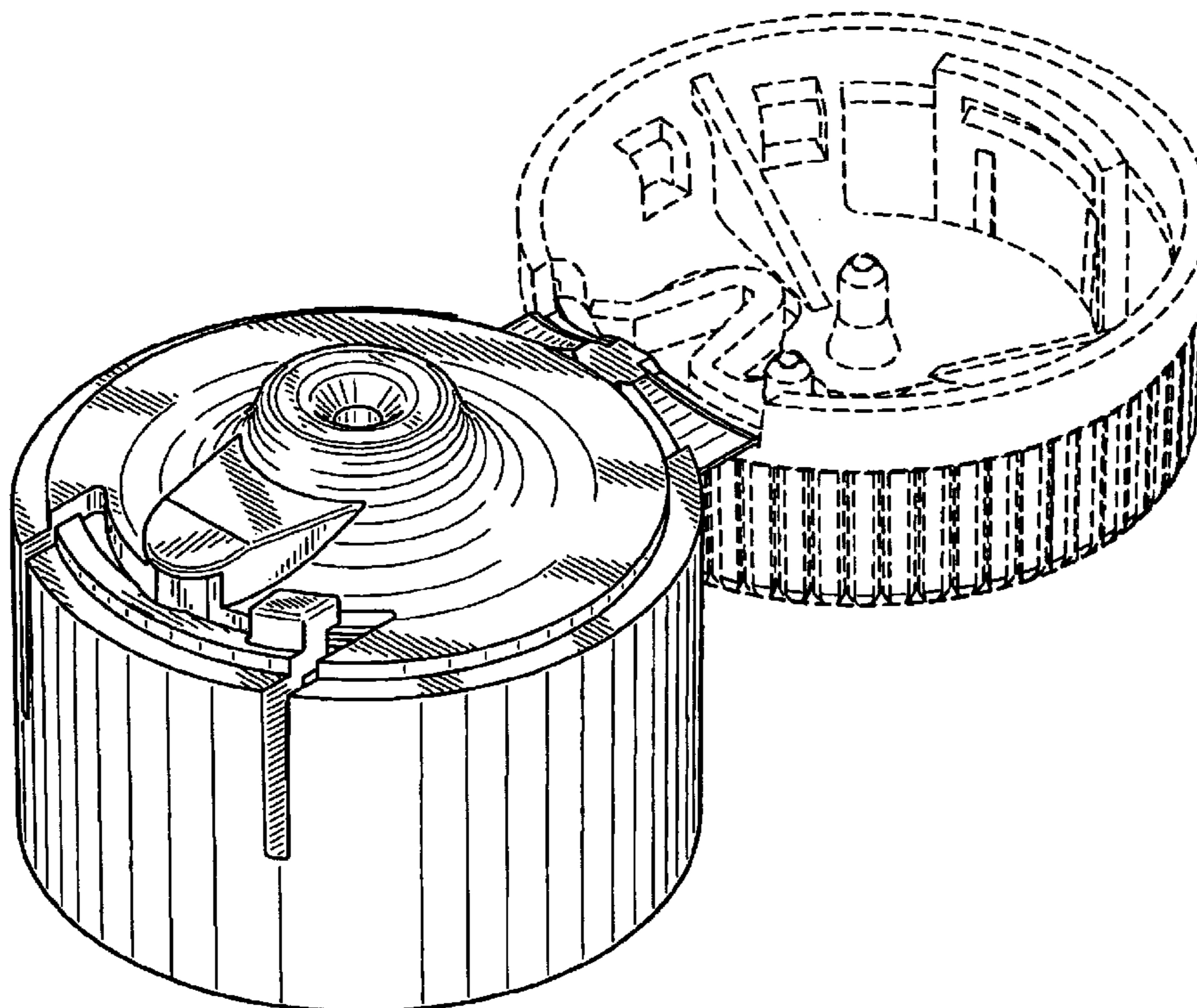
The ornamental design for a “child-resistant closure,” as shown and described.

**DESCRIPTION**

FIG. 1 is a perspective view showing our new design;  
FIG. 2 is a first side elevational view;  
FIG. 3 is a second side elevational view;  
FIG. 4 is a front elevational view;  
FIG. 5 is a rear elevational view;  
FIG. 6 is a top plan view; and,  
FIG. 7 is a bottom plan view.

Any broken lines in the drawings depict probable environment only and form no part of the claimed design.

**1 Claim, 7 Drawing Sheets**



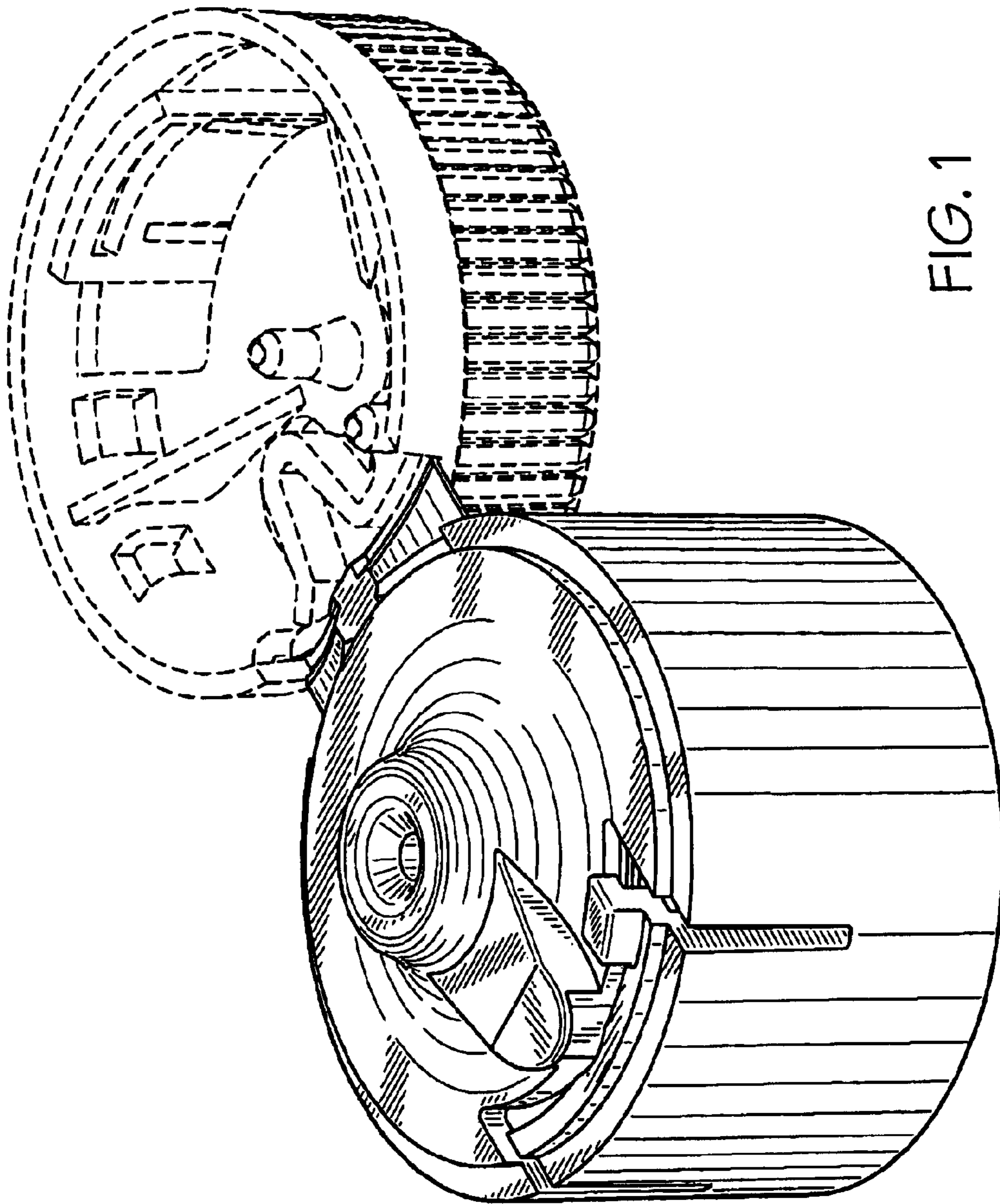


FIG. 1

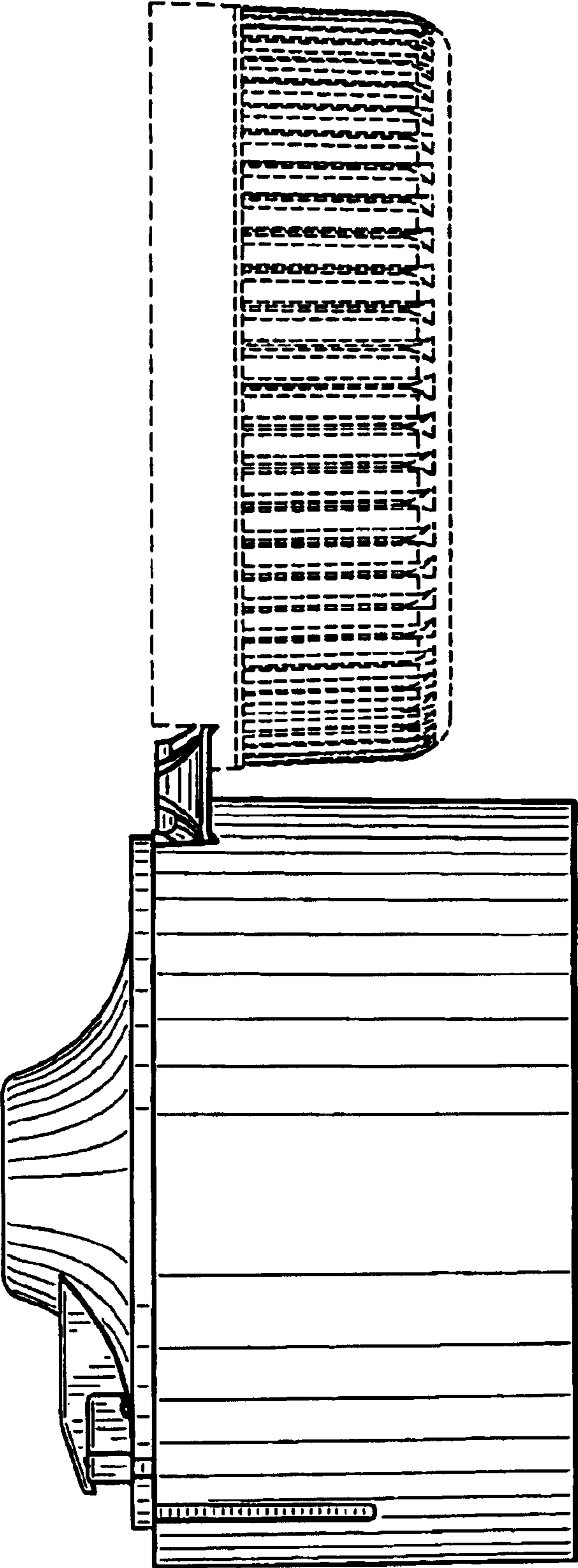


FIG. 2

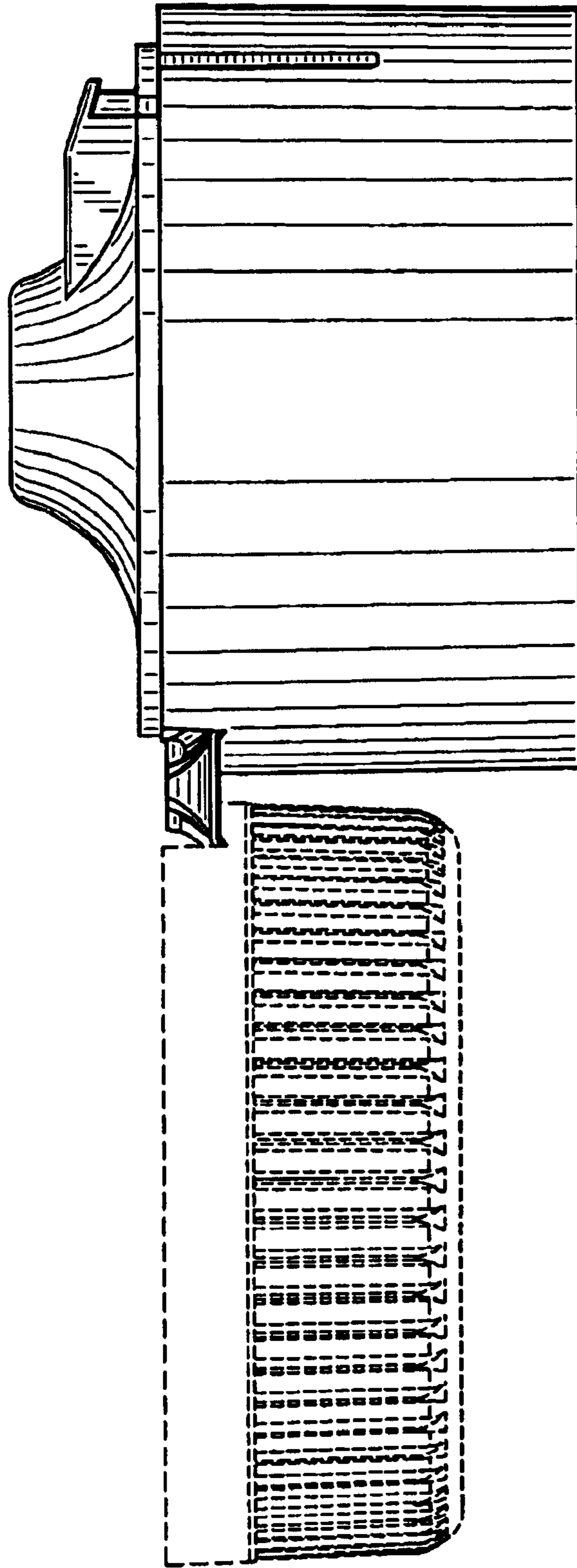


FIG. 3



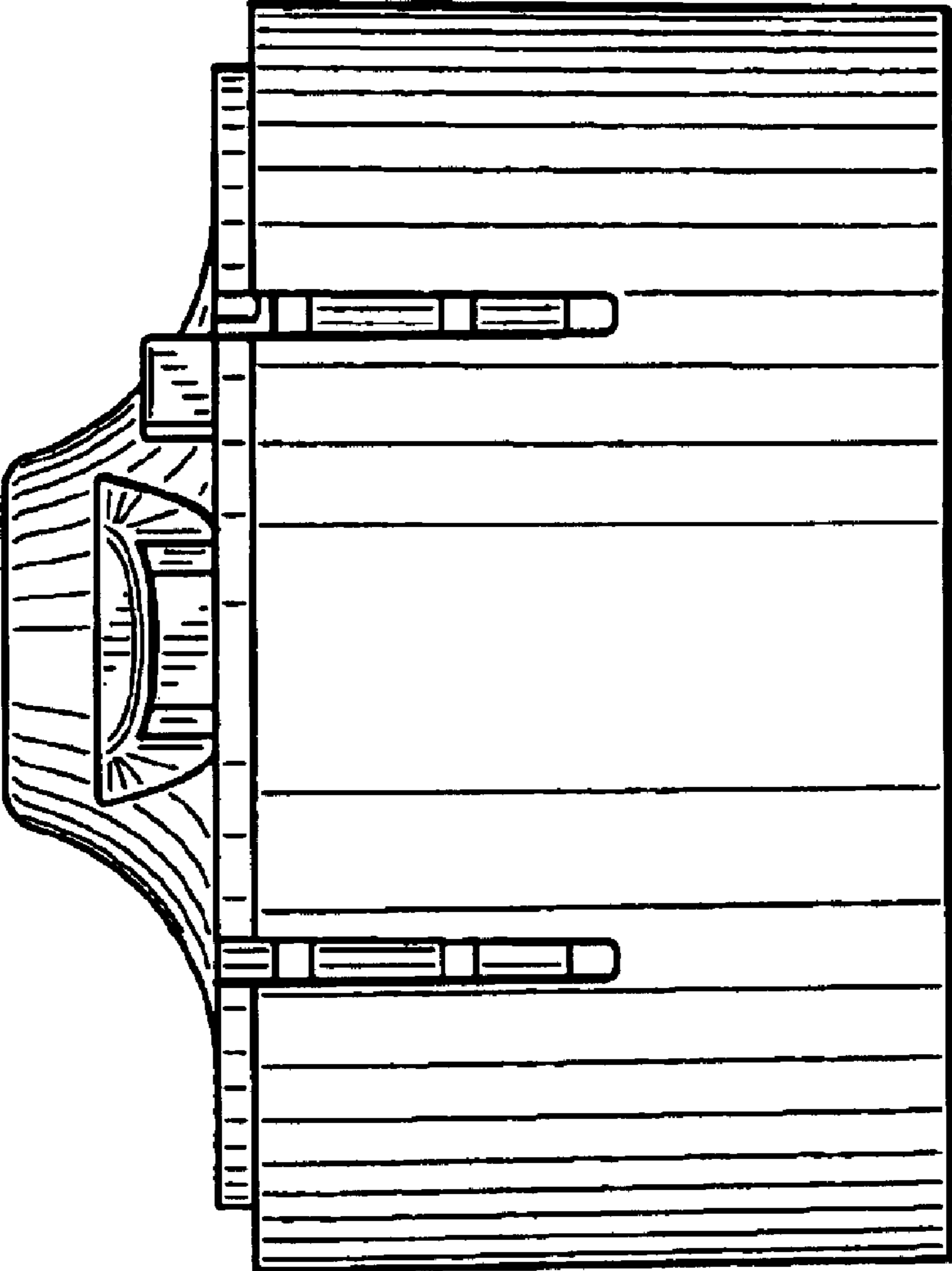


FIG. 4

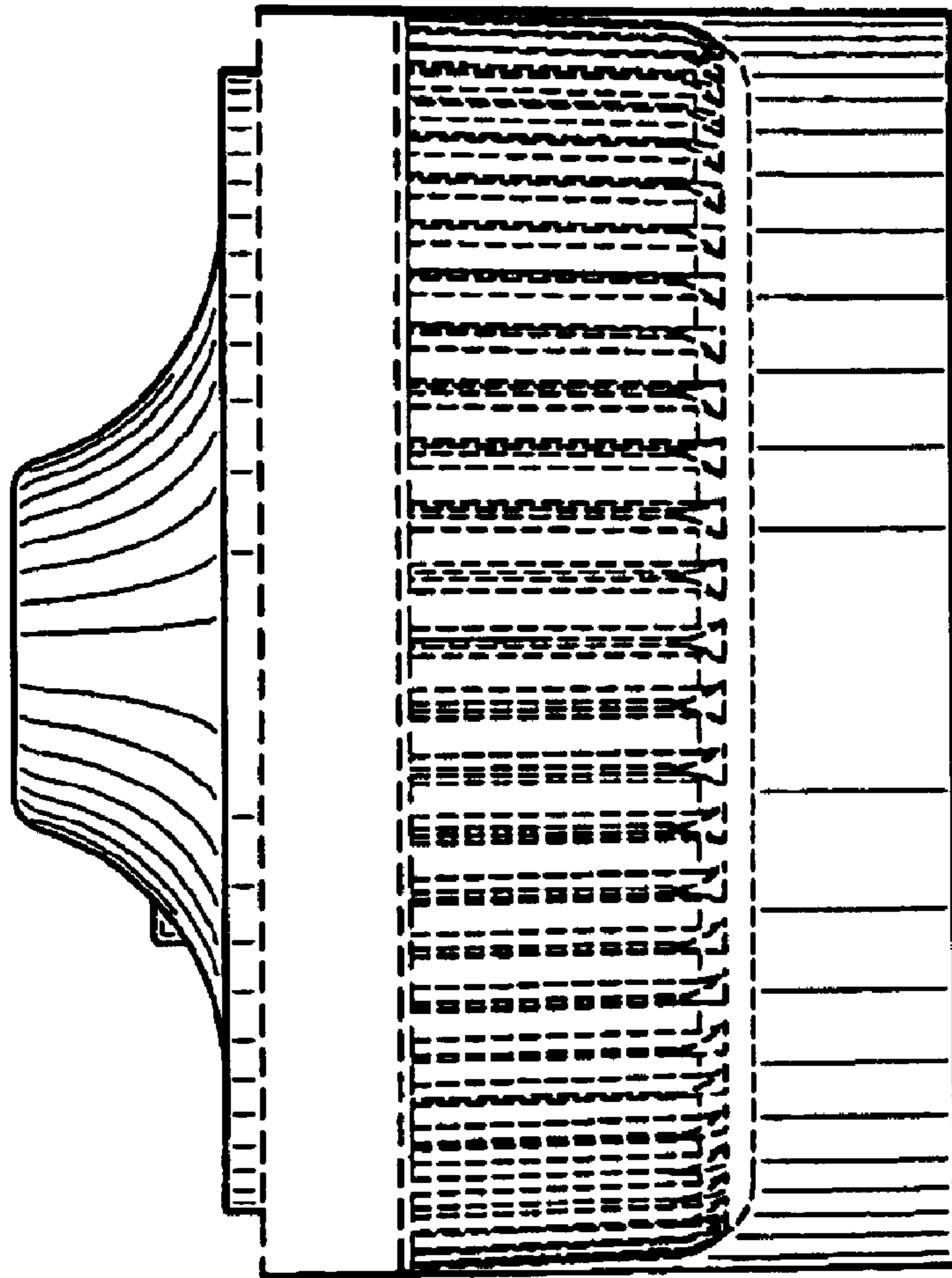


FIG. 5

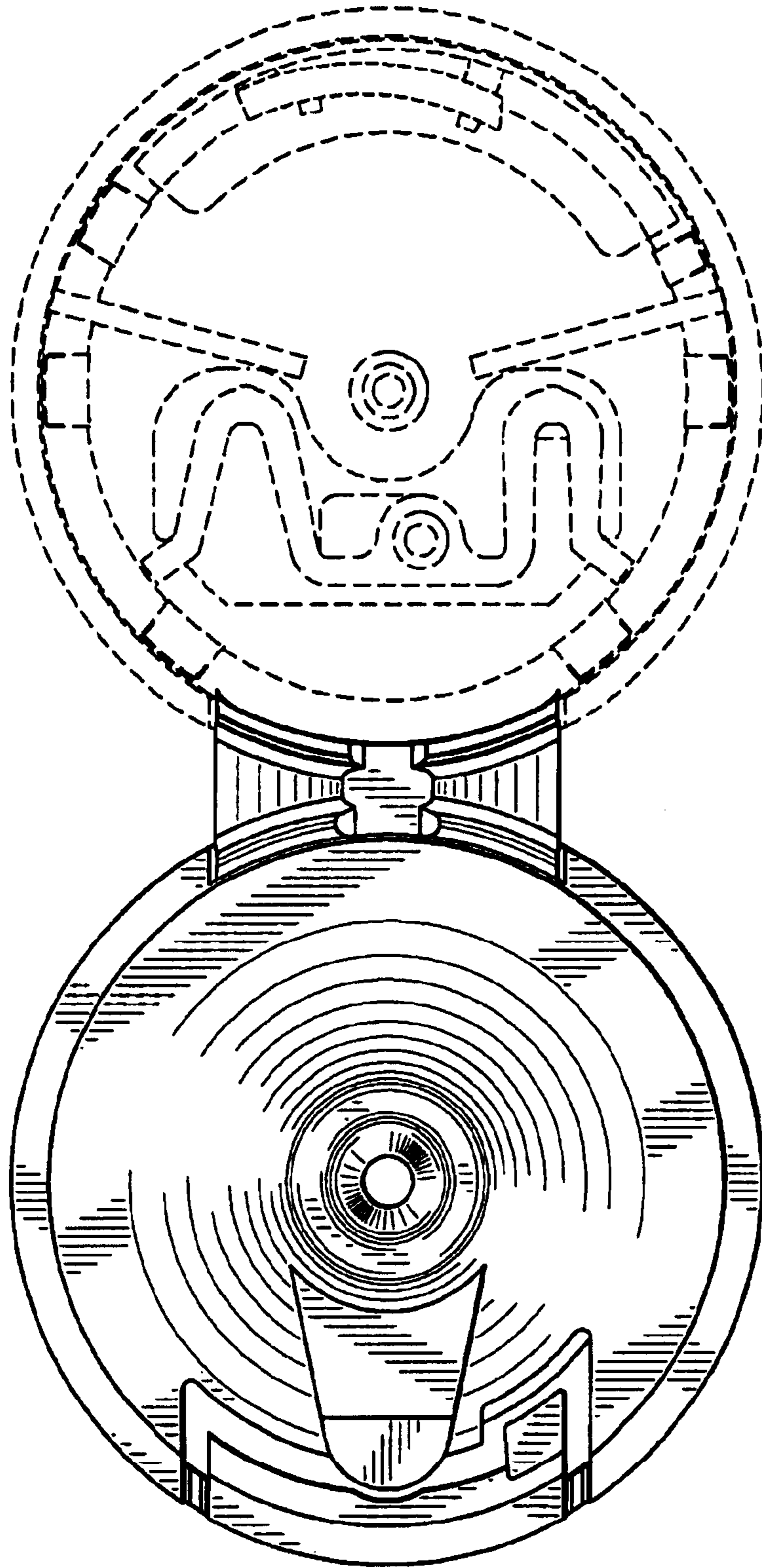


FIG. 6

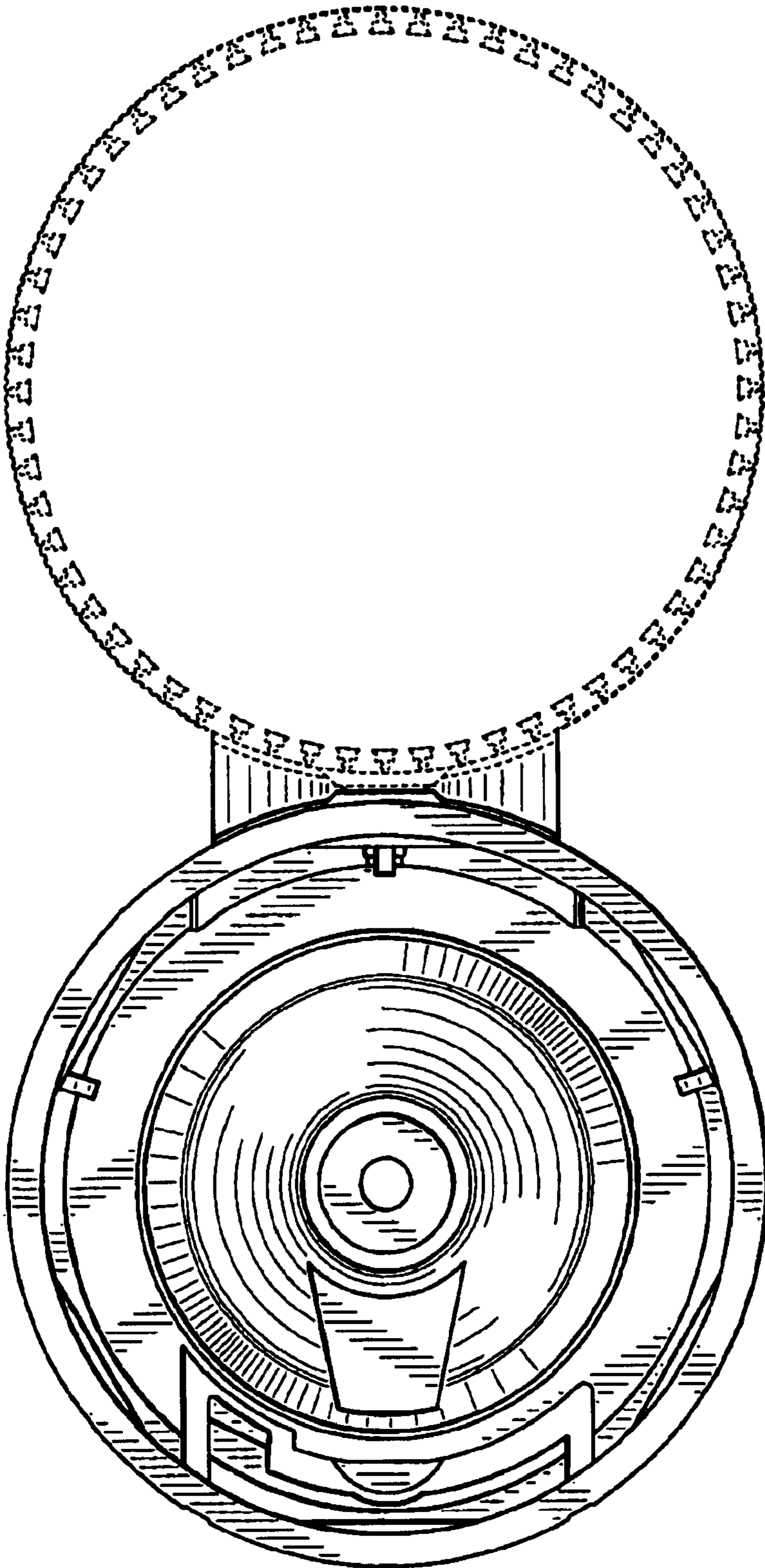


FIG. 7