

US00D508202S

(12) **United States Design Patent**
Dobson et al.

(10) **Patent No.:** **US D508,202 S**

(45) **Date of Patent:** **** Aug. 9, 2005**

(54) **WATER BOTTLE CAP**

(75) **Inventors:** **Rob Dobson**, 221 W. Dyer Rd., Santa Ana, CA (US) 92707; **Ray Wharton**, 221 W. Dyer Rd., Santa Ana, CA (US) 92707; **Logan Flash Mandel**, Los Angeles, CA (US)

(73) **Assignees:** **Rob Dobson**, Santa Ana, CA (US); **Ray Wharton**, Santa Ana, CA (US)

(**) **Term:** **14 Years**

(21) **Appl. No.:** **29/194,801**

(22) **Filed:** **Dec. 2, 2003**

(51) **LOC (8) Cl.** **09-07**

(52) **U.S. Cl.** **D9/447; D9/449; D9/452**

(58) **Field of Search** 215/308, 235; 116/308; D7/510, 511; D9/435, 436, 440, 442, 447-450, 452, 454; 222/212, 213, 92, 153.05, 107, 491; 220/339, 345, 711, 714, 715

(56) **References Cited**

U.S. PATENT DOCUMENTS

3,151,599 A * 10/1964 Livingston 116/308
5,340,634 A * 8/1994 Adams D9/454

D351,313 S * 10/1994 Giard, Jr. D7/510
D391,448 S * 3/1998 Winer et al. D7/510
D465,730 S * 11/2002 Druitt D9/452
D482,620 S * 11/2003 Kleckauskas et al. D9/530
6,656,743 B2 * 12/2003 Huson et al. 215/308
6,779,480 B2 * 8/2004 Zamjahn 116/308
6,789,497 B1 * 9/2004 Aiken 116/308

* cited by examiner

Primary Examiner—Robert M. Spear

Assistant Examiner—Susan Bennett Hattan

(74) *Attorney, Agent, or Firm*—Christie, Parker & Hale, LLP

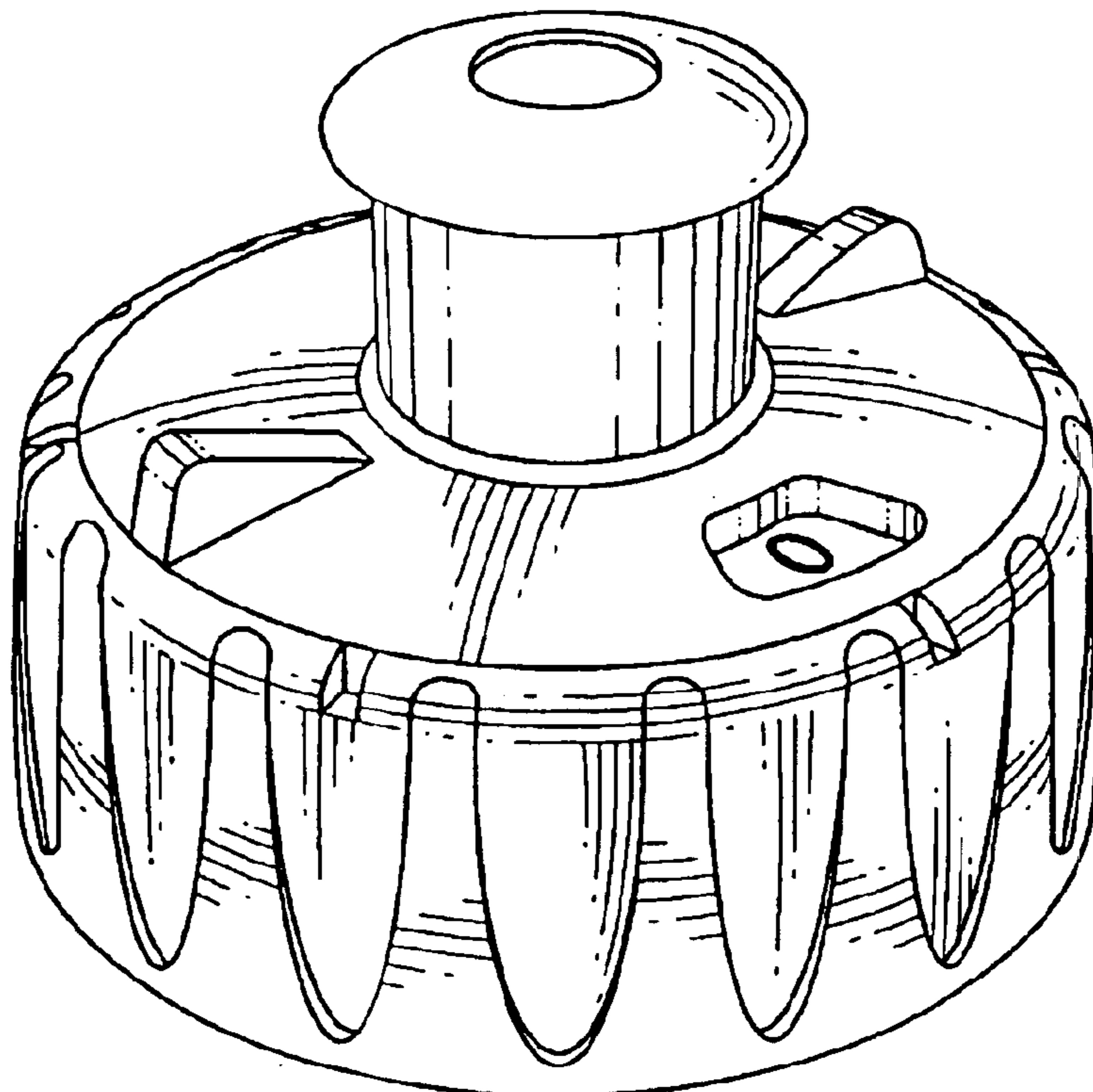
(57) **CLAIM**

The ornamental design for water bottle cap, as shown and described.

DESCRIPTION

FIG. 1 is a front perspective view of a water bottle cap showing our new design; FIG. 2 is a top plan view thereof, in first position; FIG. 3 is a front view thereof; FIG. 4 is a side view thereof; FIG. 5 is a bottom plan view thereof; FIG. 6 is a top plan view thereof, in second position; and, FIG. 7 is a top plan view thereof, in third position.

1 Claim, 3 Drawing Sheets



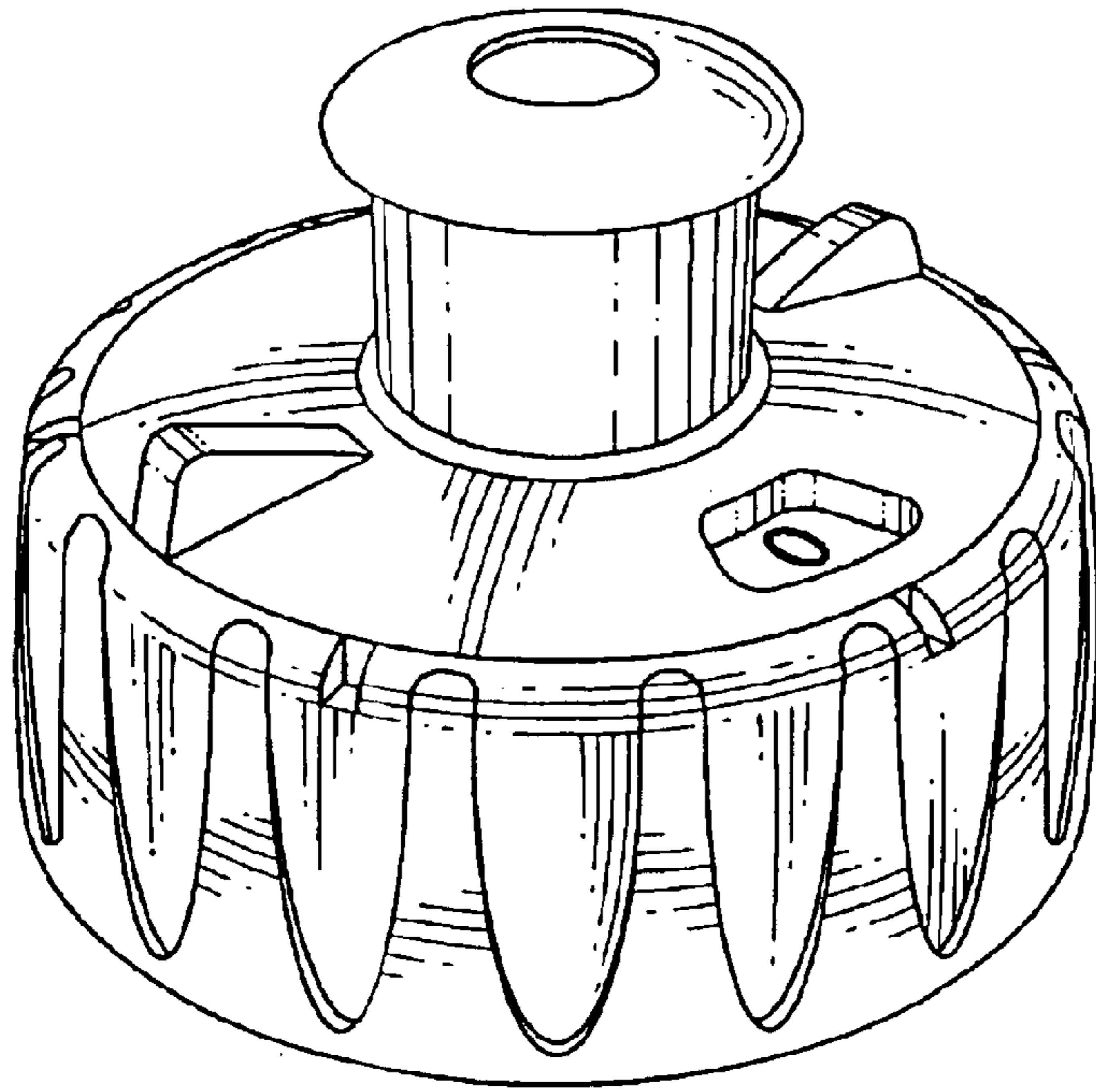


FIG. 1

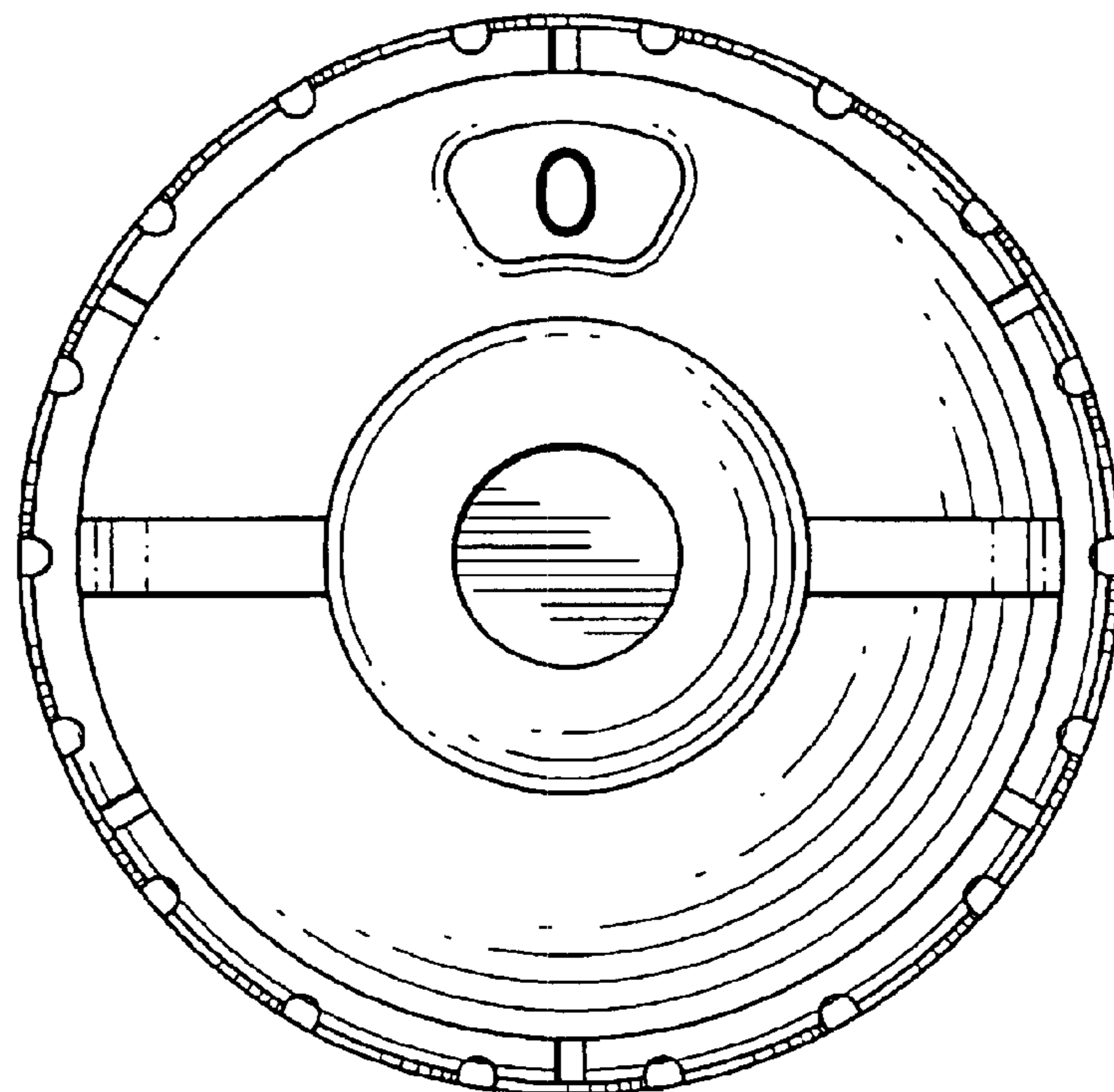


FIG. 2

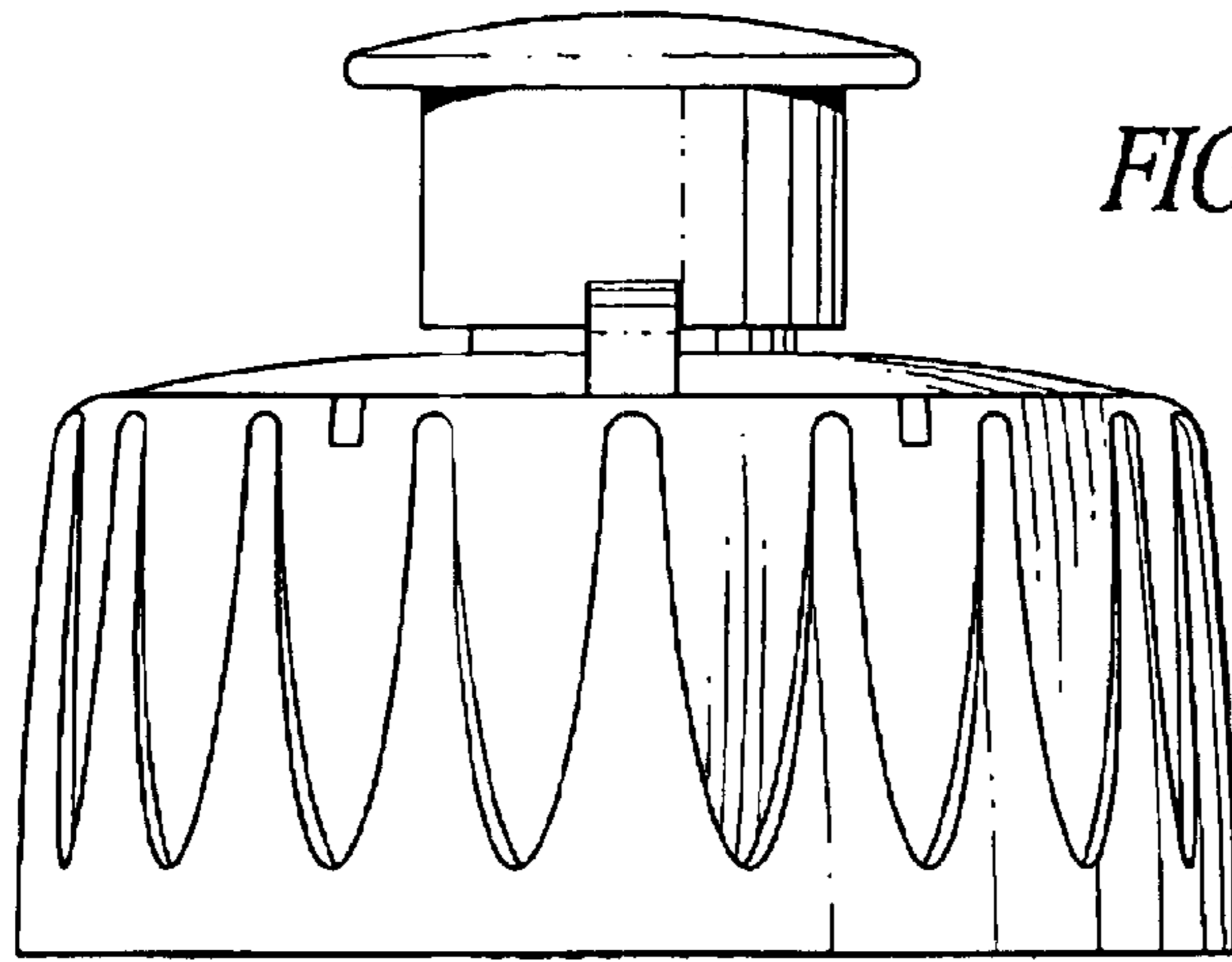


FIG. 3

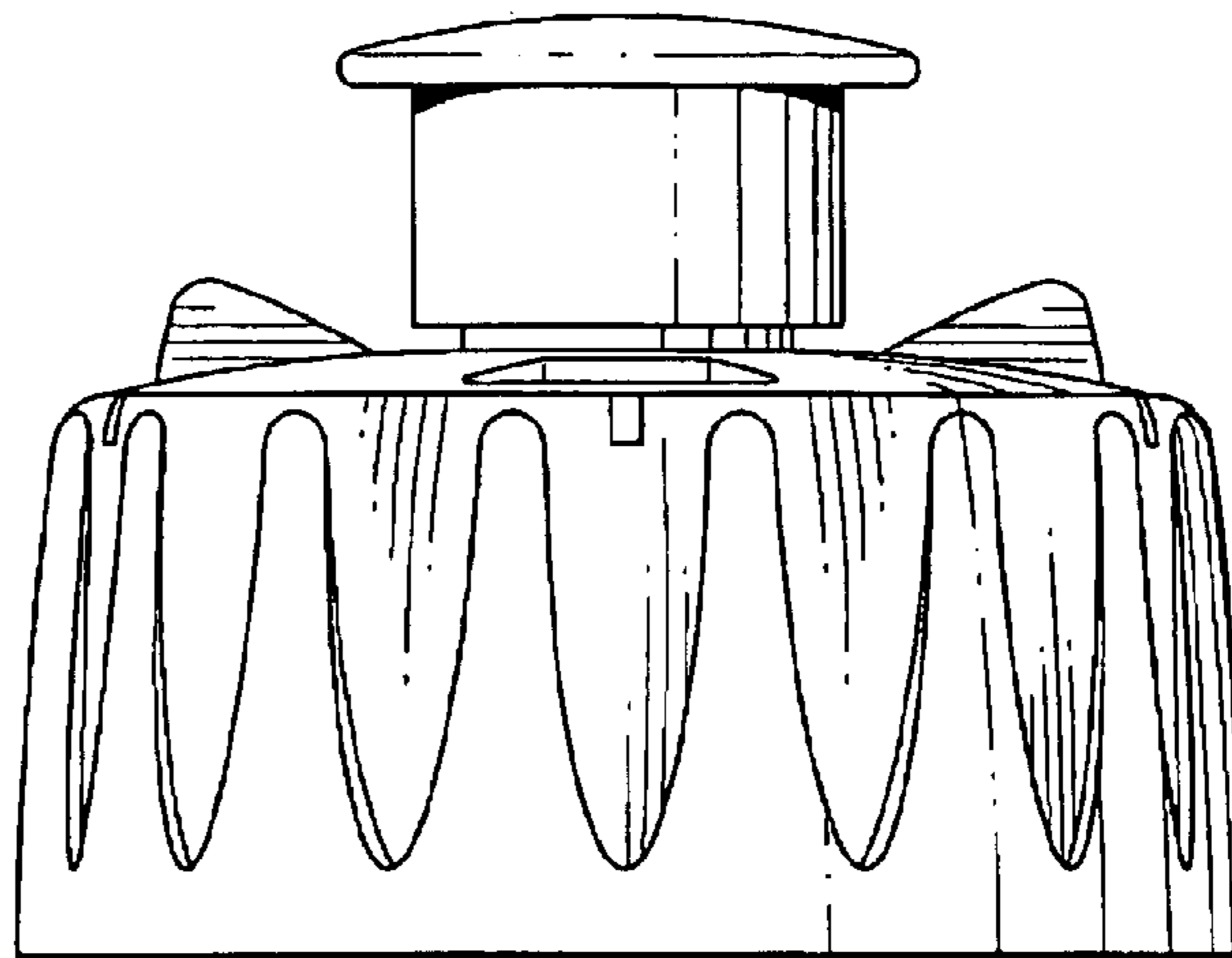


FIG. 4

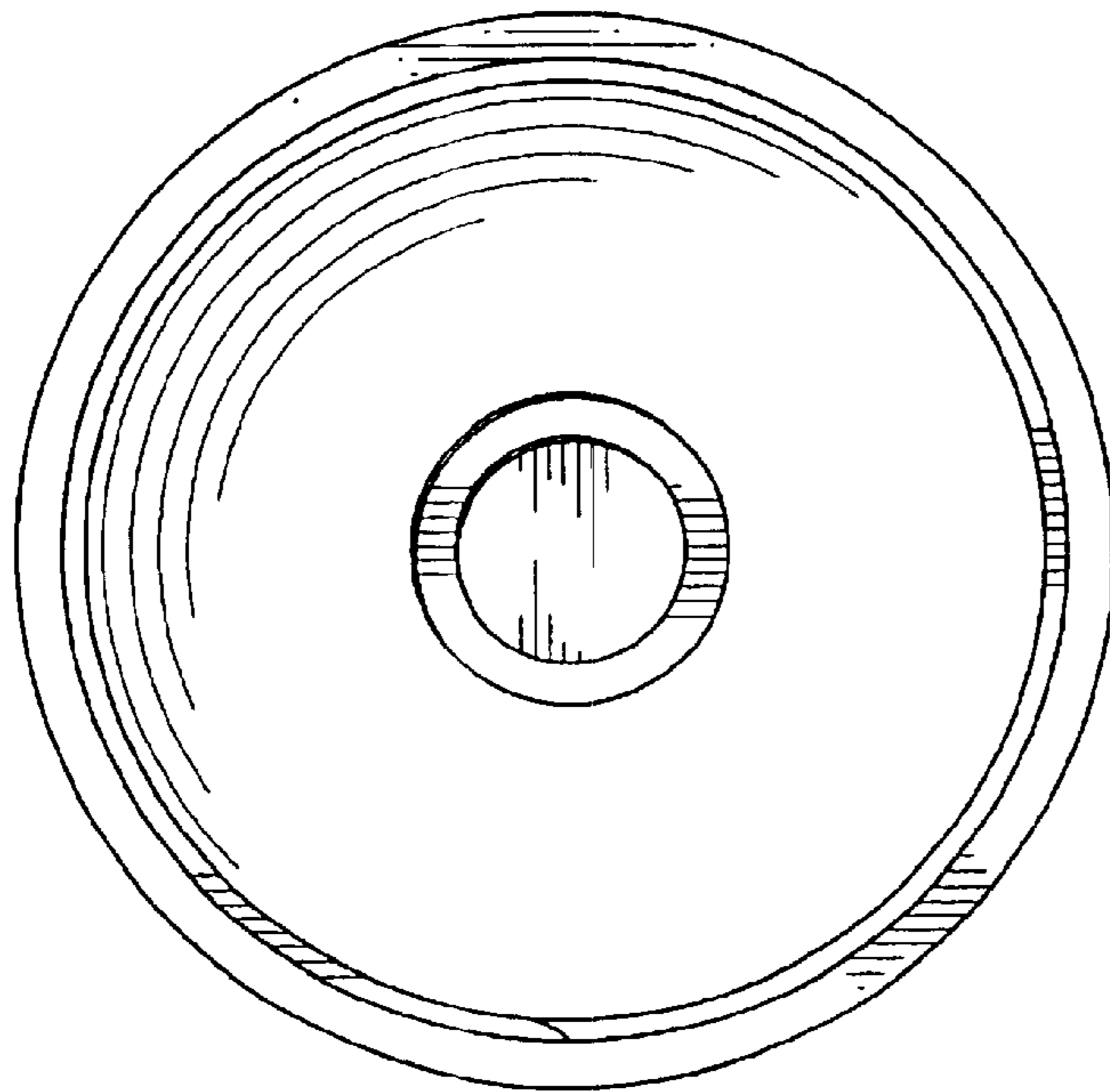


FIG. 5

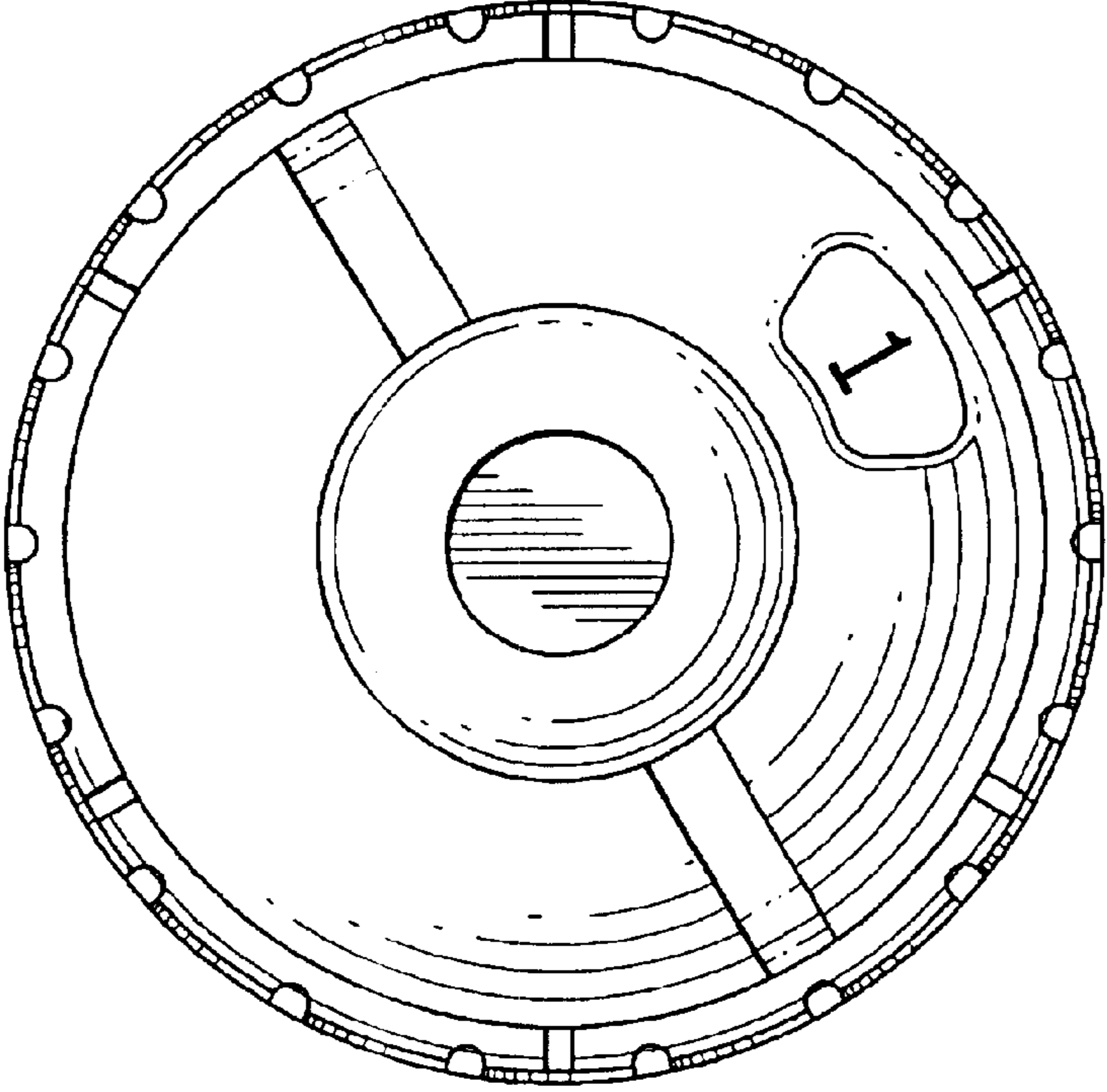


FIG. 6

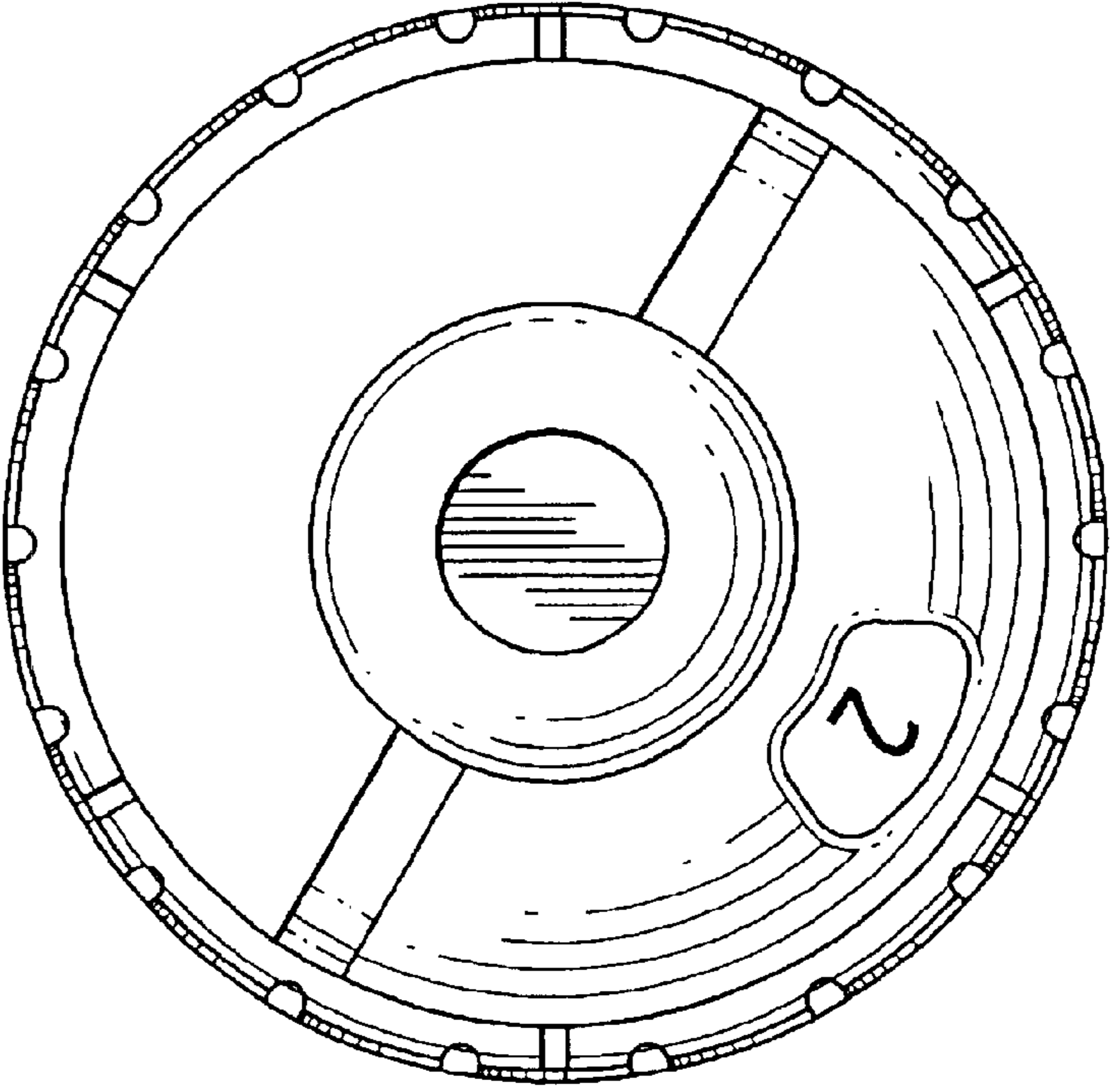


FIG. 7