

US00D508195S

(12) **United States Design Patent**  
**Pack et al.**

(10) **Patent No.:** **US D508,195 S**

(45) **Date of Patent:** **\*\* Aug. 9, 2005**

(54) **LATCH FURNITURE**

D338,608 S \* 8/1993 Martin et al. .... D8/302  
D428,322 S \* 7/2000 Munch et al. .... D8/302

(75) Inventors: **Matthew Stephen John Pack**,  
Wellington (NZ); **Peter Gordon**  
**Slater**, Wellington (NZ); **Howard**  
**John Fountaine**, Wellington (NZ)

\* cited by examiner

*Primary Examiner*—Adir Aronovich  
(74) *Attorney, Agent, or Firm*—Blakely Sokoloff Taylor &  
Zafman

(73) Assignee: **Assa Abloy Financial Services AB**,  
Stockholm (SE)

(57) **CLAIM**

(\*\*) Term: **14 Years**

The ornamental design for a latch furniture, as shown and  
described.

(21) Appl. No.: **29/162,783**

**DESCRIPTION**

(22) Filed: **Jun. 18, 2002**

(30) **Foreign Application Priority Data**

Dec. 18, 2001 (NZ) ..... 402314

FIG. 1 is a front perspective view of latch furniture showing  
our new design;

(51) **LOC (8) Cl.** ..... **08-06**

(52) **U.S. Cl.** ..... **D8/302; D8/331**

(58) **Field of Search** ..... D8/300–302, 313,  
D8/316, 317, 350, 352, 353, 331; 16/412–415;  
292/336.3

FIG. 2 is an alternate perspective view shown from the right  
of FIG. 1;

FIG. 3 is an end perspective view shown from the left of  
FIG. 1;

FIG. 4 is a front elevation view thereof;

FIG. 5 is a rear elevation view thereof;

FIG. 6 is a bottom plan view thereof;

FIG. 7 is a top plan view thereof; and,

FIG. 8 is a side elevation view thereof, the opposite side  
being a mirror image thereof.

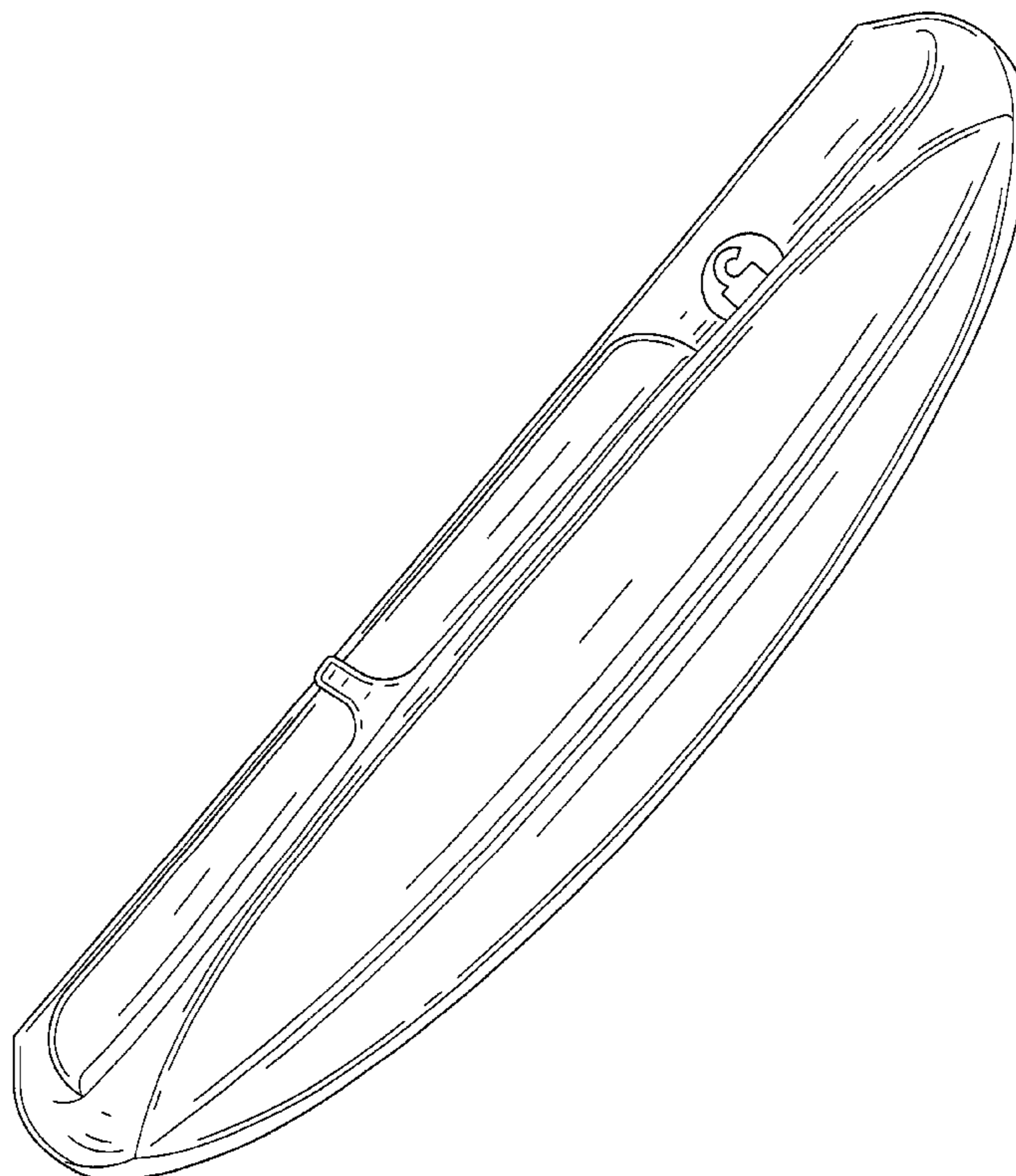
The portions of the article in broken lines in FIG. 3 and 5–8  
are shown for illustrative purposes only and form no part of  
the claimed design.

(56) **References Cited**

**U.S. PATENT DOCUMENTS**

D109,312 S \* 4/1938 Carlson ..... D8/313  
D143,023 S \* 11/1945 North ..... D8/313  
D176,039 S \* 11/1955 Rodale et al. .... D8/350  
D191,920 S \* 12/1961 Hale et al. .... D8/302

**1 Claim, 5 Drawing Sheets**



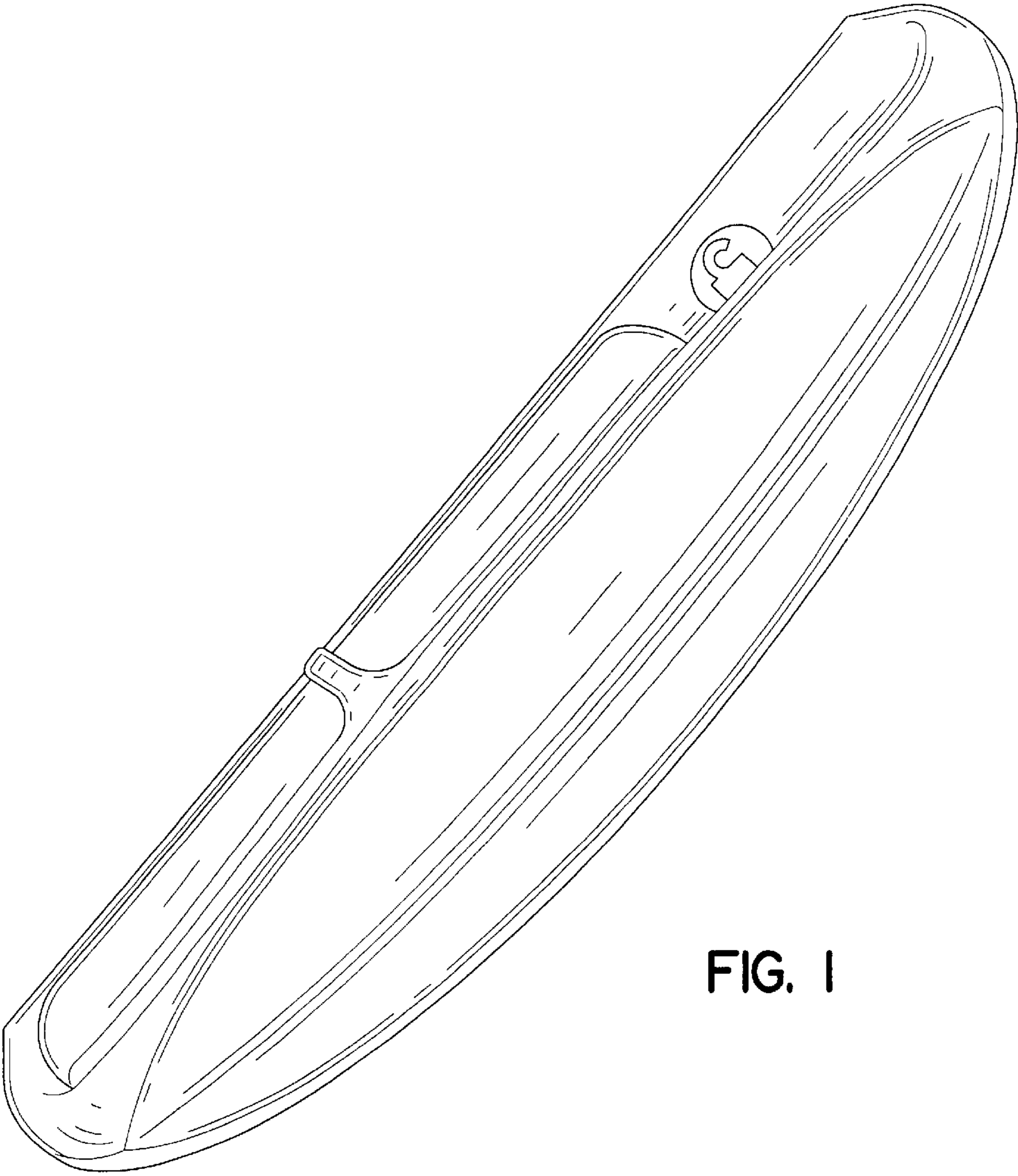


FIG. 1

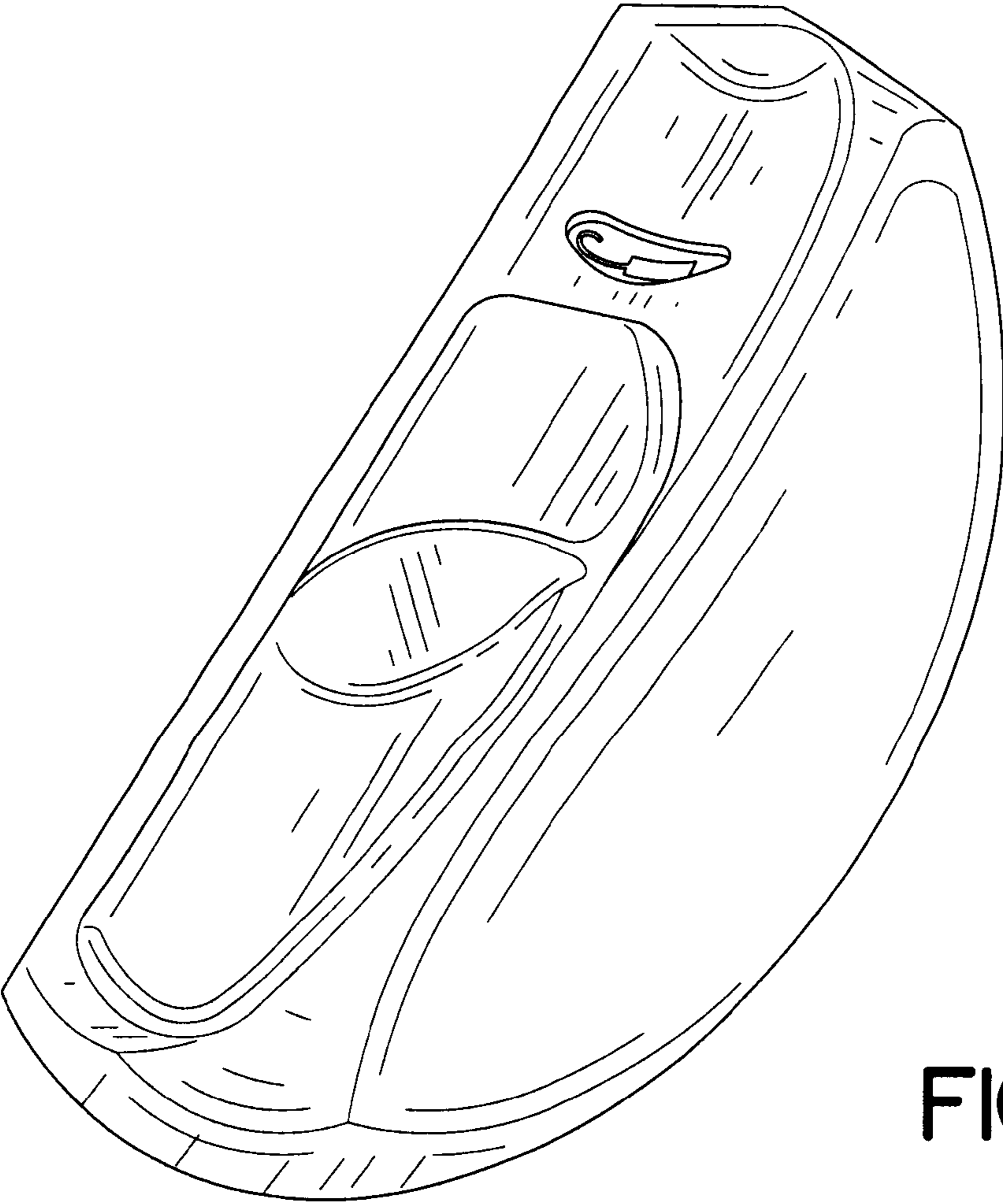


FIG. 2

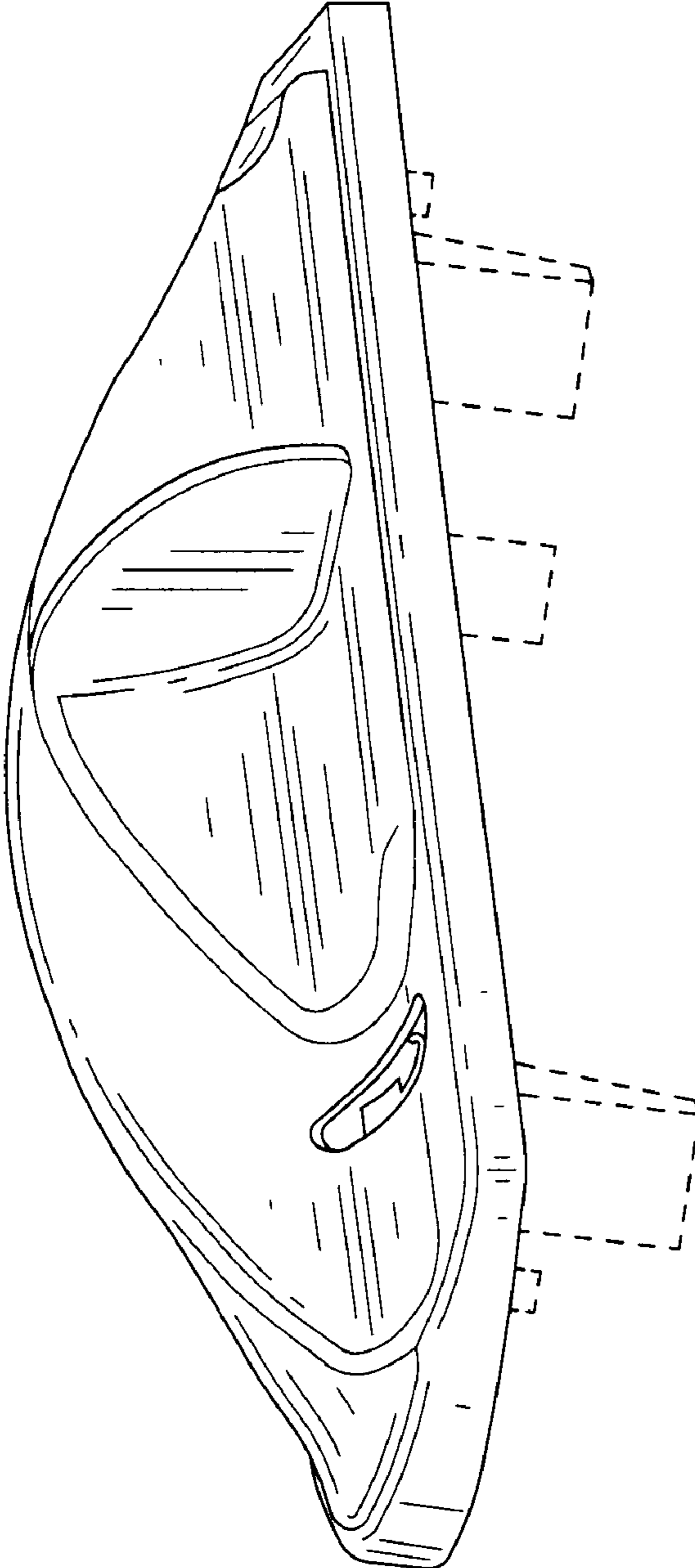


FIG. 3

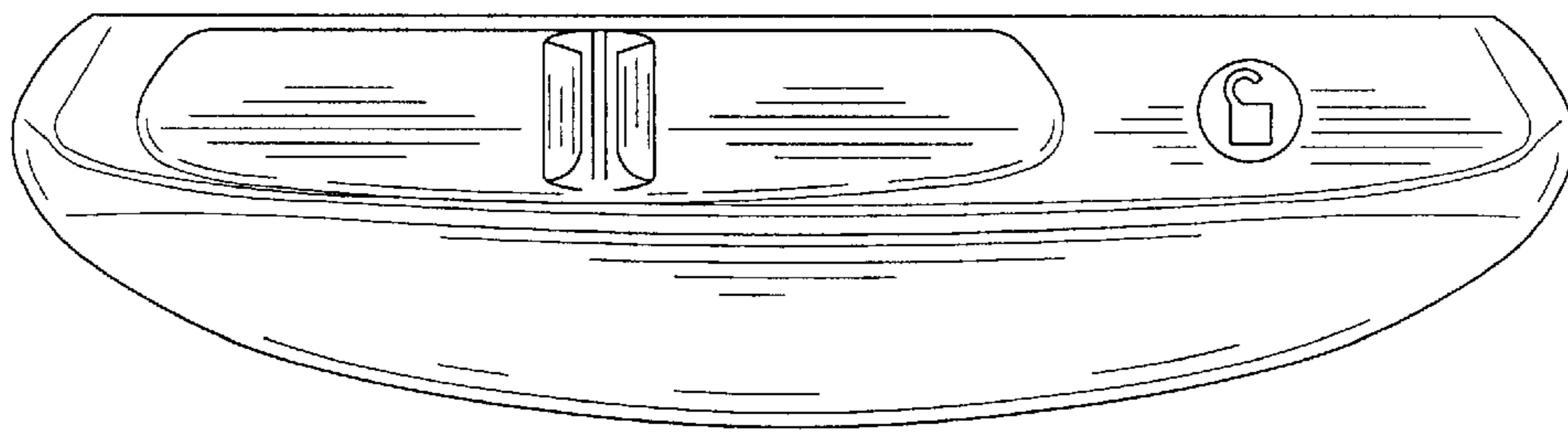


FIG. 4

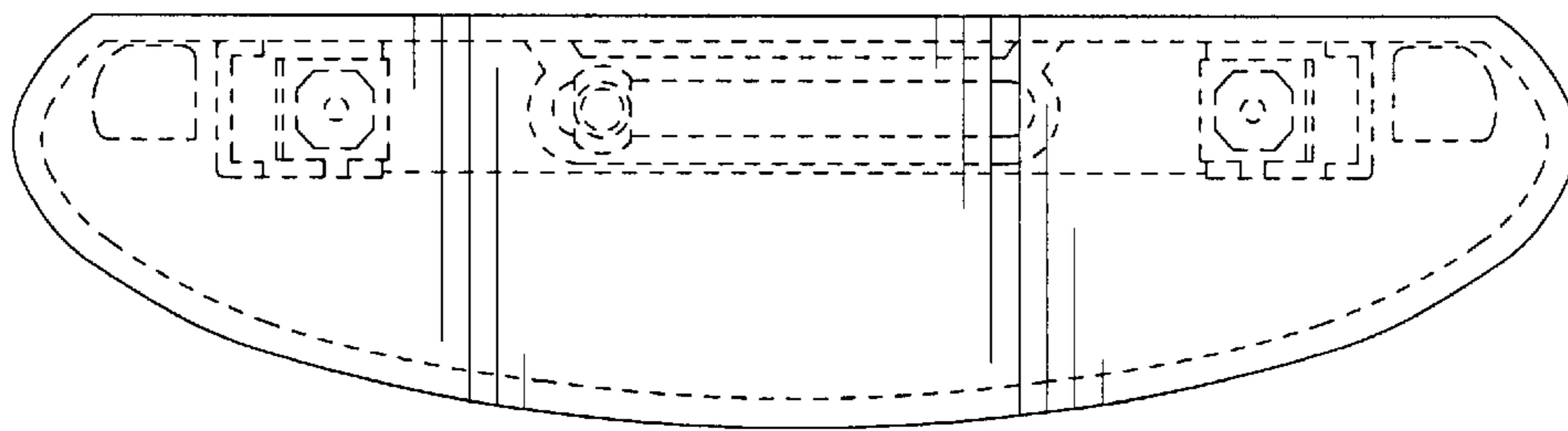


FIG. 5

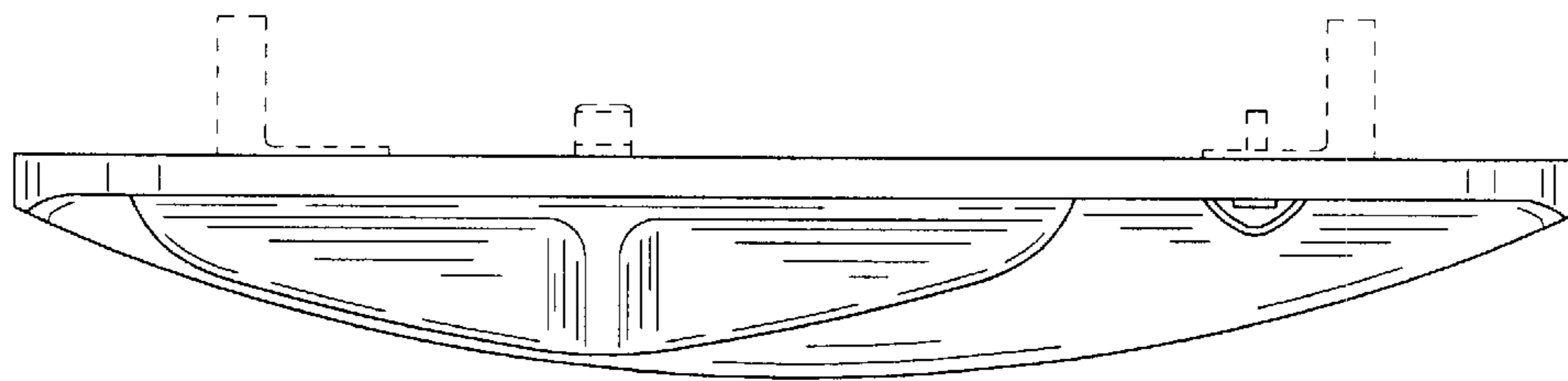


FIG. 6

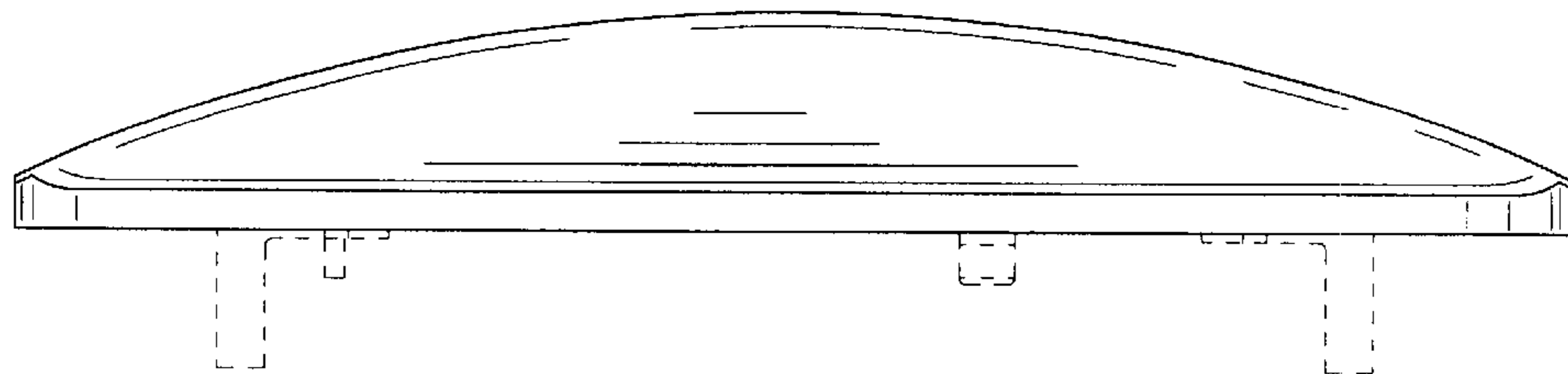


FIG. 7

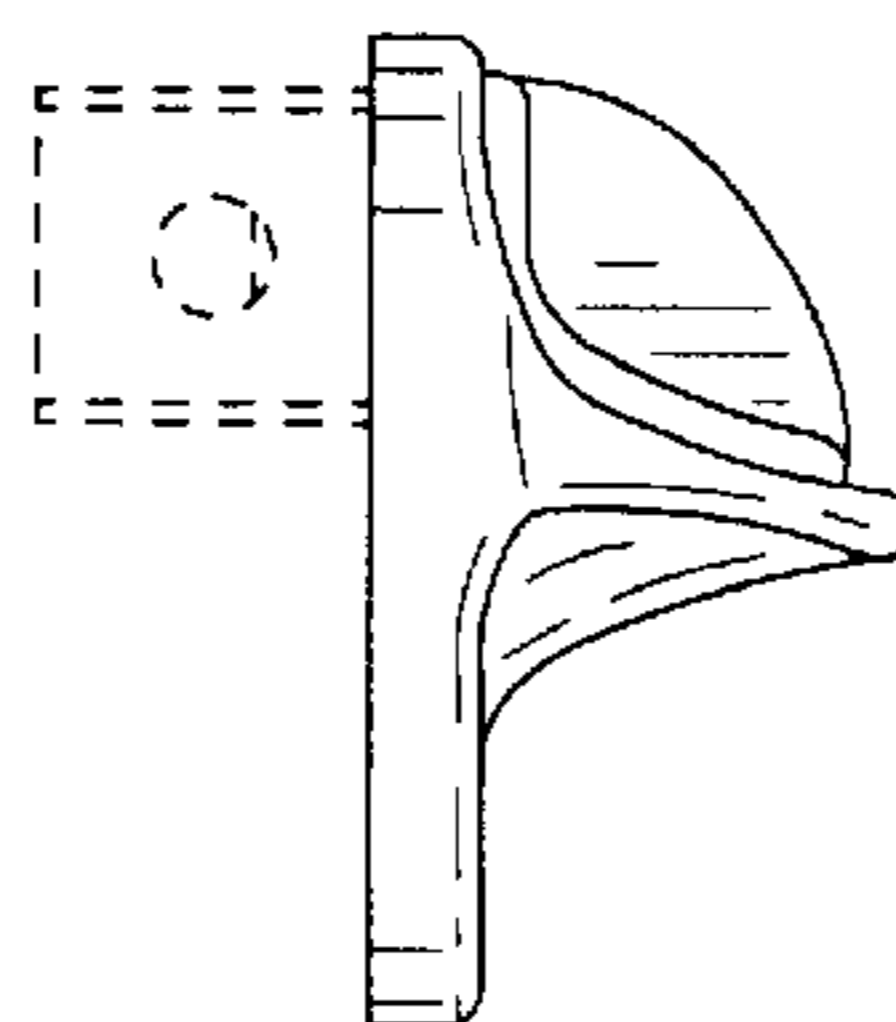


FIG. 8