

US00D508191S

(12) **United States Design Patent** (10) **Patent No.:** **US D508,191 S**
Hattori et al. (45) **Date of Patent:** **** Aug. 9, 2005**

(54) **PORTABLE FASTENING MACHINE**

(75) Inventors: **Takeo Hattori**, Tokyo (JP); **Hiroshi Tanaka**, Tokyo (JP); **Satoshi Osuga**, Tokyo (JP)

(73) Assignee: **Max Co., Ltd.**, Tokyo (JP)

(**) Term: **14 Years**

(21) Appl. No.: **29/214,663**

(22) Filed: **Oct. 7, 2004**

Related U.S. Application Data

(62) Division of application No. 29/195,680, filed on Dec. 17, 2003.

(30) **Foreign Application Priority Data**

Jun. 25, 2003 (JP) 2003-018076
Jun. 25, 2003 (JP) 2003-018079

(51) **LOC (8) Cl.** **08-05**

(52) **U.S. Cl.** **D8/68; D8/69**

(58) **Field of Search** D8/14.1, 61, 62, D8/63, 64, 65, 66, 67, 68, 69, 70; 81/57.11, 429, 464, 465, 466, 469, 489; 173/13, 169, 178, 213, 217; 227/8, 114, 120, 130, 136, 142; 310/50; 408/20, 124, 125, 234, 241 R; 451/358

(56) **References Cited**

U.S. PATENT DOCUMENTS

- 4,936,192 A 6/1990 Johnsson et al.
- D316,022 S 4/1991 Moraht
- 5,014,897 A 5/1991 Uuskallio
- D322,547 S 12/1991 Kmetz
- D338,606 S 8/1993 Oda
- D338,818 S 8/1993 Katsuba
- D353,664 S 12/1994 Eminger et al.
- 5,370,295 A 12/1994 Simonelli
- 5,484,094 A 1/1996 Gupta
- 5,588,577 A 12/1996 Chen
- 5,632,431 A 5/1997 Lin
- D387,259 S 12/1997 Braddock et al.

- 5,842,625 A * 12/1998 Kimura 227/136
- D410,182 S 5/1999 Etter et al.
- 5,971,245 A 10/1999 Robinson
- D416,775 S 11/1999 Hwang et al.
- 6,056,181 A 5/2000 Chuang
- 6,158,643 A 12/2000 Phillips
- D435,770 S 1/2001 Arai
- D447,031 S 8/2001 Oh
- 6,325,268 B1 12/2001 Liang
- 6,398,097 B1 6/2002 Liang
- 6,422,446 B1 7/2002 Liu
- 6,431,428 B1 8/2002 Chen
- 6,494,355 B2 12/2002 Adachi et al.
- D474,091 S * 5/2003 Arai D8/69
- 6,581,814 B1 6/2003 Hsu
- D477,513 S 7/2003 Bor
- D477,760 S 7/2003 Chang
- D477,762 S 7/2003 Bor
- 6,592,014 B2 7/2003 Smolinski
- D477,975 S 8/2003 Lai

(Continued)

FOREIGN PATENT DOCUMENTS

JP 1001524 S 1/1998

Primary Examiner—Gary D. Watson
Assistant Examiner—T. Chase Nelson

(74) *Attorney, Agent, or Firm*—Morgan, Lewis & Bockius LLP

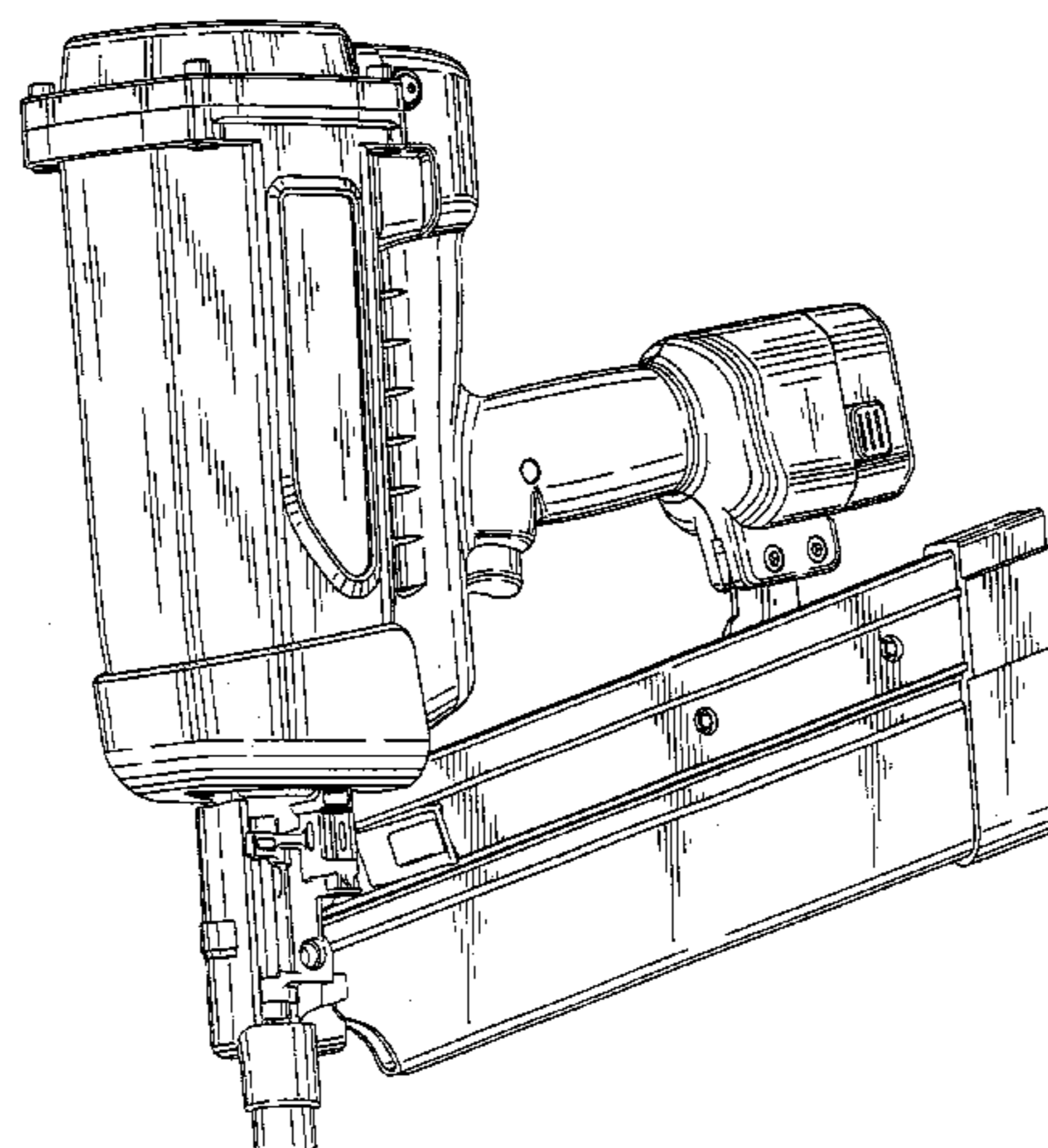
(57) **CLAIM**

The ornamental design for a portable fastening machine, as shown and described.

DESCRIPTION

FIG. 1 is a perspective view of front and left side of a portable fastening machine showing our new design of the preferred embodiment;
FIG. 2 is a front view thereof;
FIG. 3 is a rear view thereof;
FIG. 4 is a left side view thereof;
FIG. 5 is a right side view thereof;
FIG. 6 is a top plan view thereof; and,
FIG. 7 is a bottom view thereof.

1 Claim, 5 Drawing Sheets



US D508,191 S

Page 2

U.S. PATENT DOCUMENTS

D478,490 S 8/2003 Wu
D479,110 S 9/2003 Nolan et al.
6,641,022 B2 11/2003 Hamano et al.
6,644,530 B2 11/2003 Chen

D486,048 S * 2/2004 Hattori D8/68
6,722,550 B1 4/2004 Ricordi et al.
2003/0102351 A1 6/2003 Cheng

* cited by examiner

FIG. 1

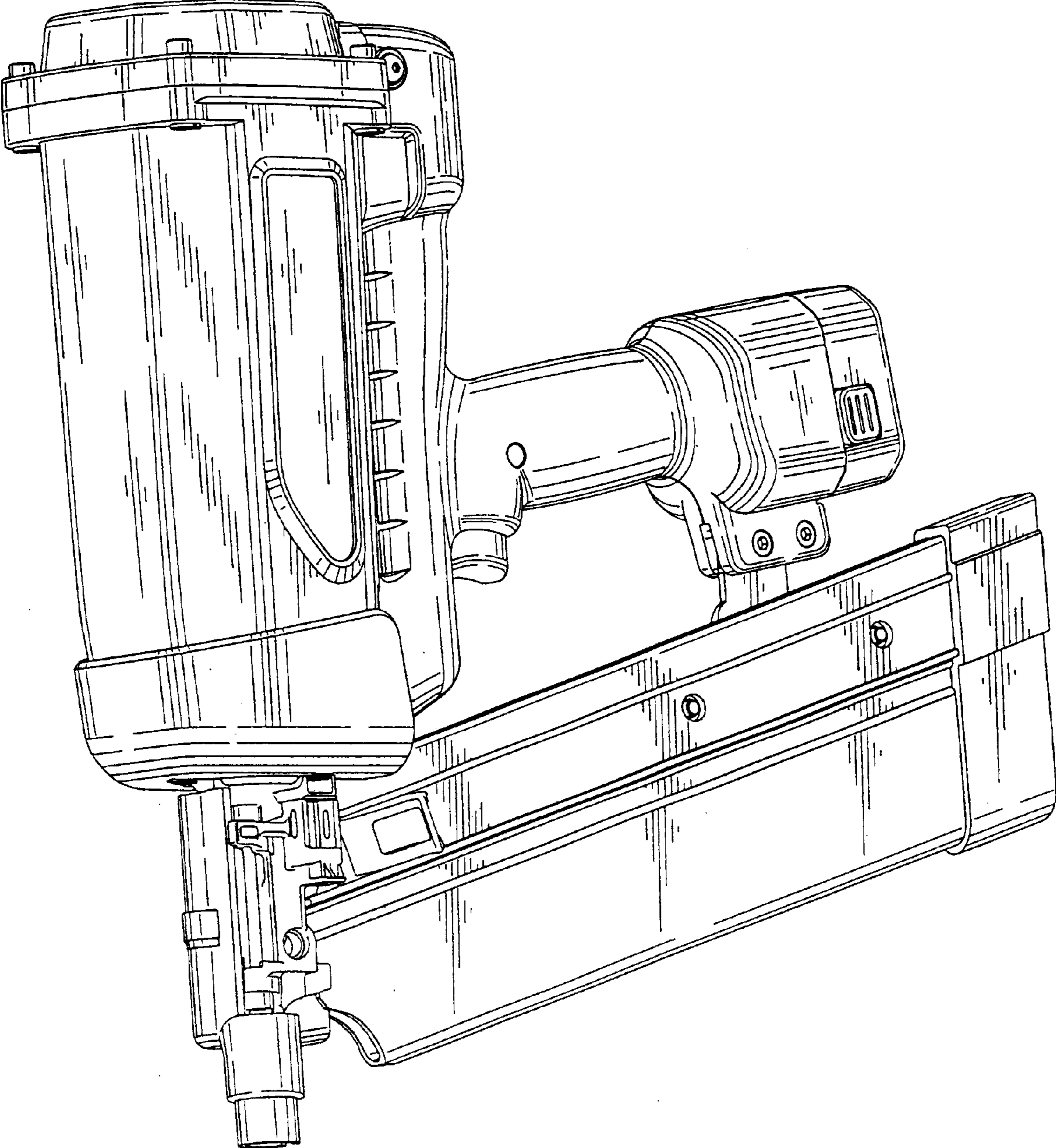


FIG. 2

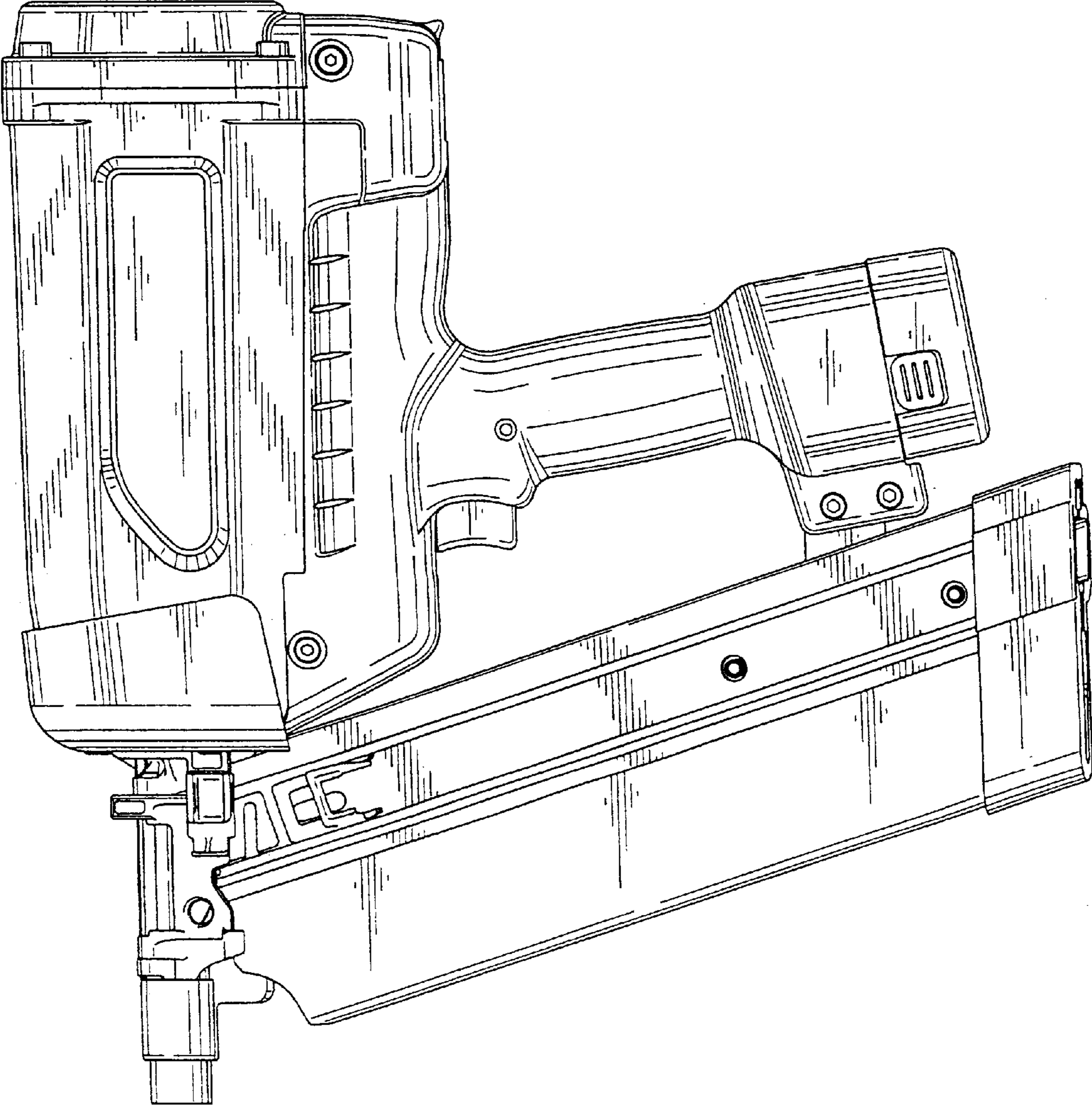


FIG. 3

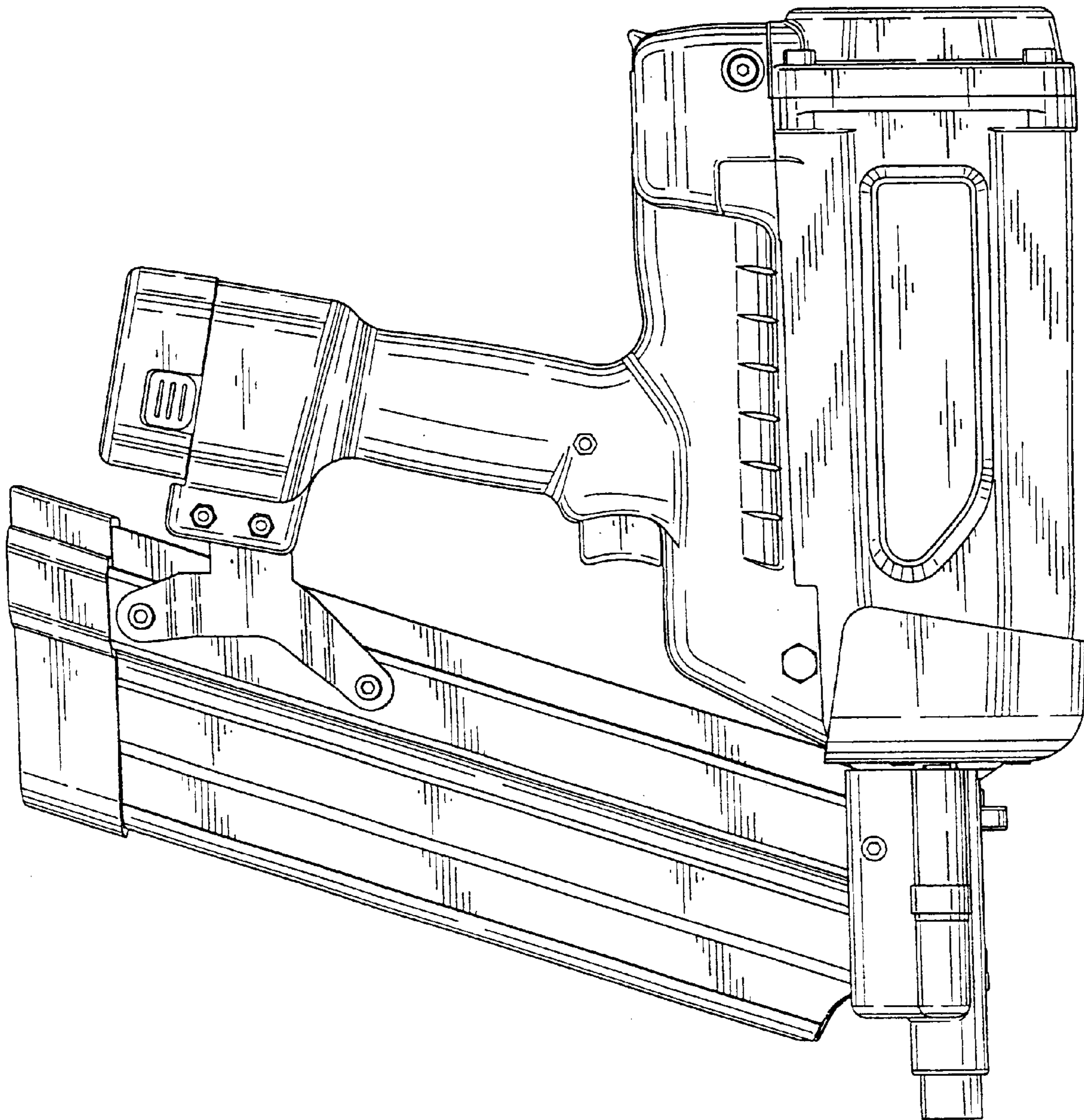


FIG. 4

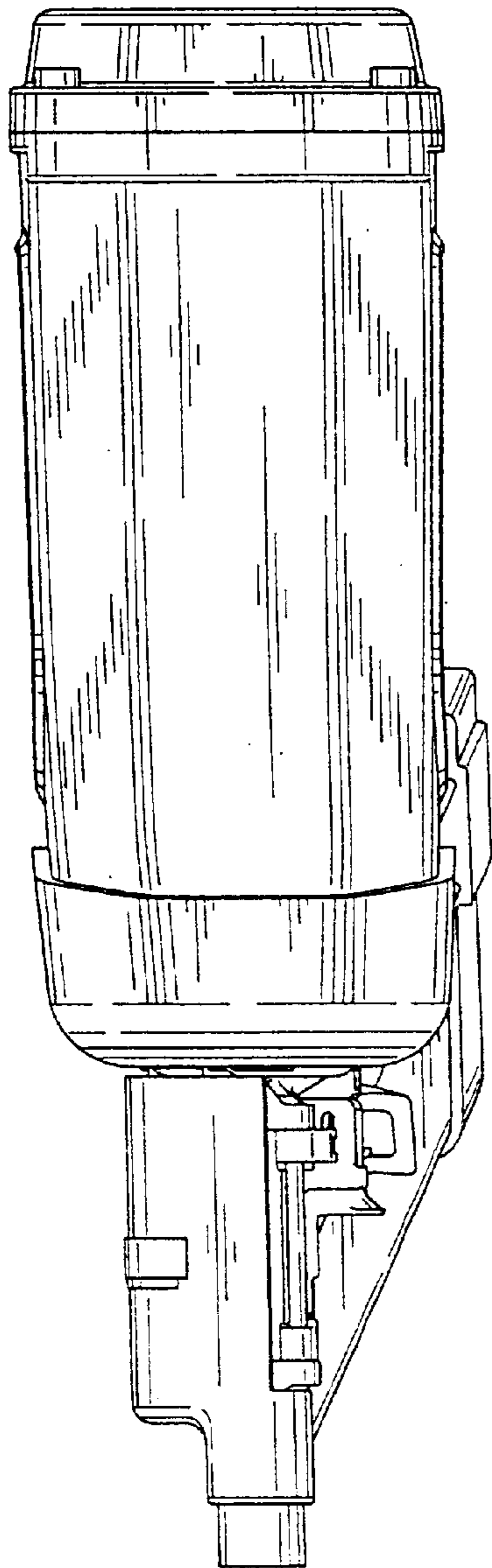


FIG. 5

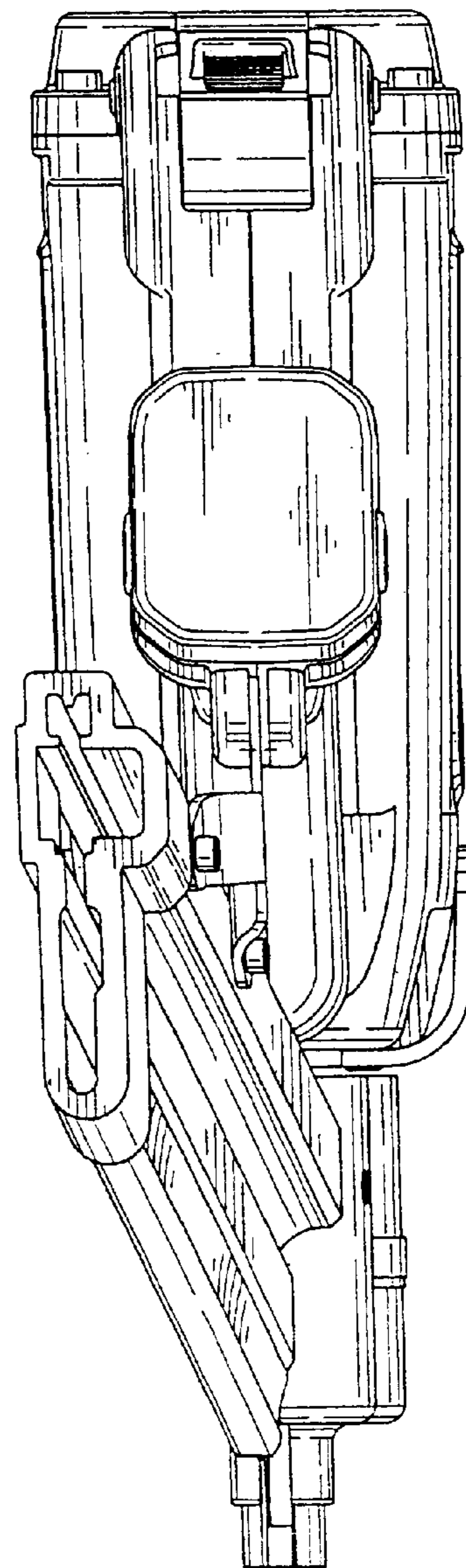


FIG. 6

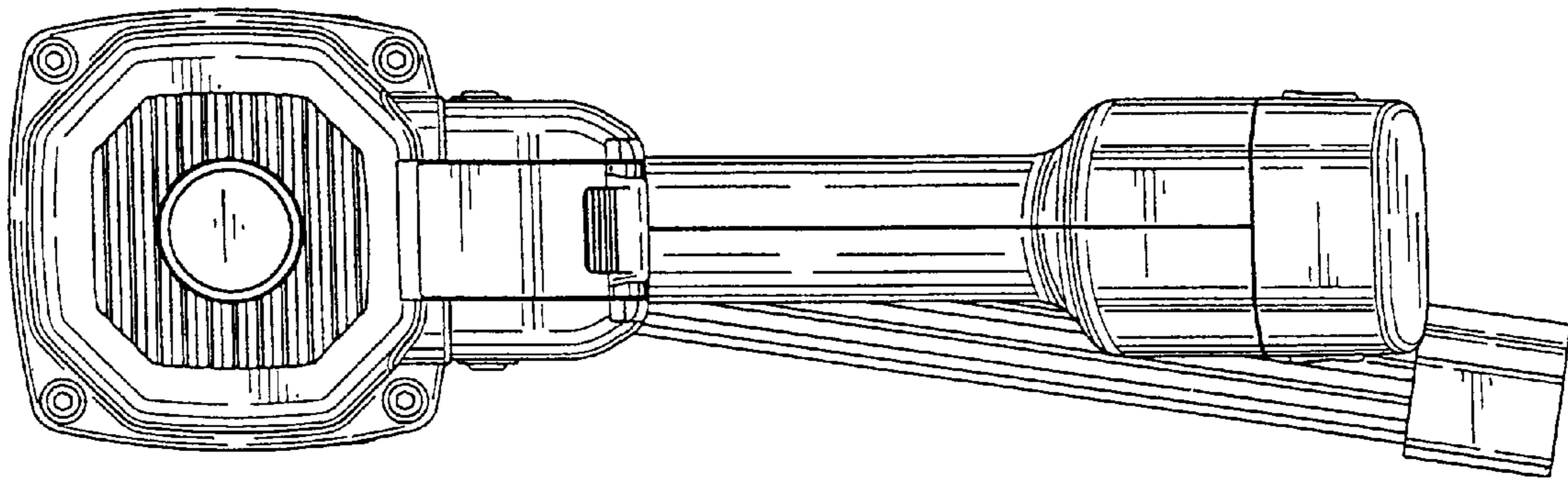


FIG. 7

