



US00D508190S

(12) **United States Design Patent** (10) **Patent No.:** **US D508,190 S**
Ng (45) **Date of Patent:** **** Aug. 9, 2005**

(54) **ELECTRIC DRILL**
 (75) **Inventor:** **David Wai Wah Ng, Hong Kong (CN)**
 (73) **Assignee:** **Winsource Industries Limited,**
Kowloon (CN)
 (**) **Term:** **14 Years**

D467,483 S * 12/2002 Heun D8/68
 D469,675 S * 2/2003 Chung D8/68
 6,552,904 B2 * 4/2003 Fung 310/50
 D477,974 S * 8/2003 Chunn et al. D8/68
 D494,034 S * 8/2004 Cheung D8/68
 D496,843 S * 10/2004 Sugawara et al. D8/68

* cited by examiner

(21) **Appl. No.:** **29/212,176**
 (22) **Filed:** **Aug. 27, 2004**

Primary Examiner—Gary D. Watson
Assistant Examiner—T. Chase Nelson
 (74) *Attorney, Agent, or Firm*—Alix, Yale & Ristas, LLP

(51) **LOC (8) Cl.** **08-01**
 (52) **U.S. Cl.** **D8/68**
 (58) **Field of Search** D8/14.1, 61, 62,
 D8/63, 64, 65, 66, 67, 68, 69, 70; 81/57.11,
 429, 464, 465, 466, 469, 489; 173/13, 169,
 178, 213, 217; 227/8, 114, 120, 130, 136,
 142; 310/50; 408/20, 124, 125, 234, 241 R;
 451/358

(57) **CLAIM**

The ornamental design for an electric drill, as shown and described.

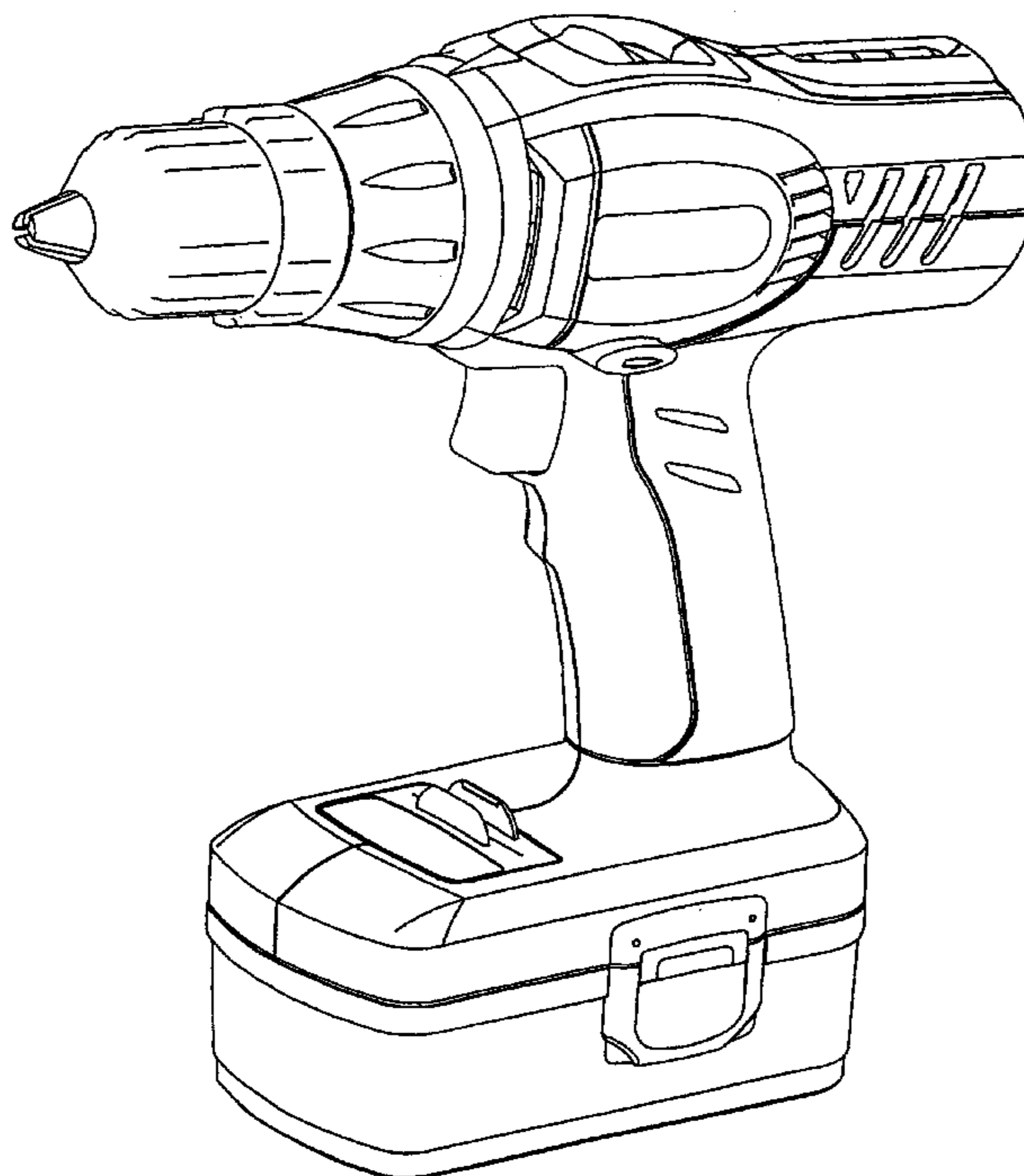
DESCRIPTION

FIG. 1 is a perspective view of an electric drill in accordance with the invention;
 FIG. 2 is a left side elevational view thereof;
 FIG. 3 is a right side elevational view thereof;
 FIG. 4 is a top plan view thereof;
 FIG. 5 is a bottom plan view thereof;
 FIG. 6 is a front elevational view thereof;
 FIG. 7 is a rear elevational view thereof;
 FIG. 8 is a perspective view of a first alternative embodiment of the electric drill in accordance with the invention;
 FIG. 9 is a right side elevational view thereof;
 FIG. 10 is a left side elevational view thereof;
 FIG. 11 is a top plan view thereof;
 FIG. 12 is a bottom plan view thereof;
 FIG. 13 is a front elevational view thereof; and,
 FIG. 14 is a rear elevational view thereof.

(56) **References Cited**
U.S. PATENT DOCUMENTS

D340,394 S * 10/1993 Okumura D8/68
 D386,662 S * 11/1997 Tozawa et al. D8/68
 D396,177 S * 7/1998 Schultz D8/68
 D419,413 S * 1/2000 Heun D8/68
 D420,877 S * 2/2000 Schultz D8/68
 D421,883 S * 3/2000 Watson et al. D8/68
 D428,320 S * 7/2000 Ohi et al. D8/61
 D436,511 S * 1/2001 Hayakawa et al. D8/68
 6,308,378 B1 * 10/2001 Mooty et al. 81/489
 D460,674 S * 7/2002 Heun D8/68
 D462,248 S * 9/2002 Cooper D8/68
 D462,592 S * 9/2002 Cooper D8/68
 D467,148 S * 12/2002 Flickinger D8/68

1 Claim, 10 Drawing Sheets



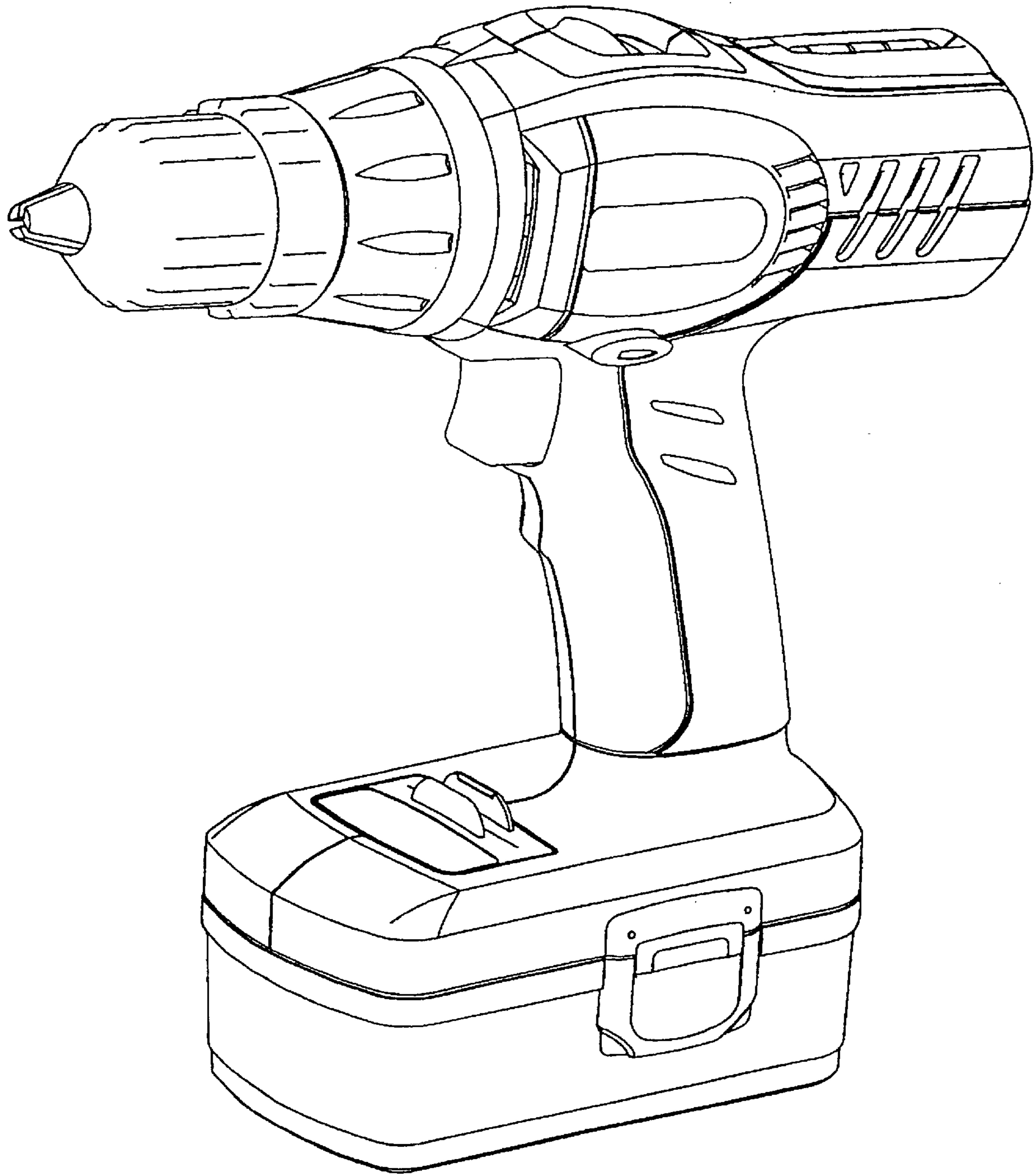


FIG. 1

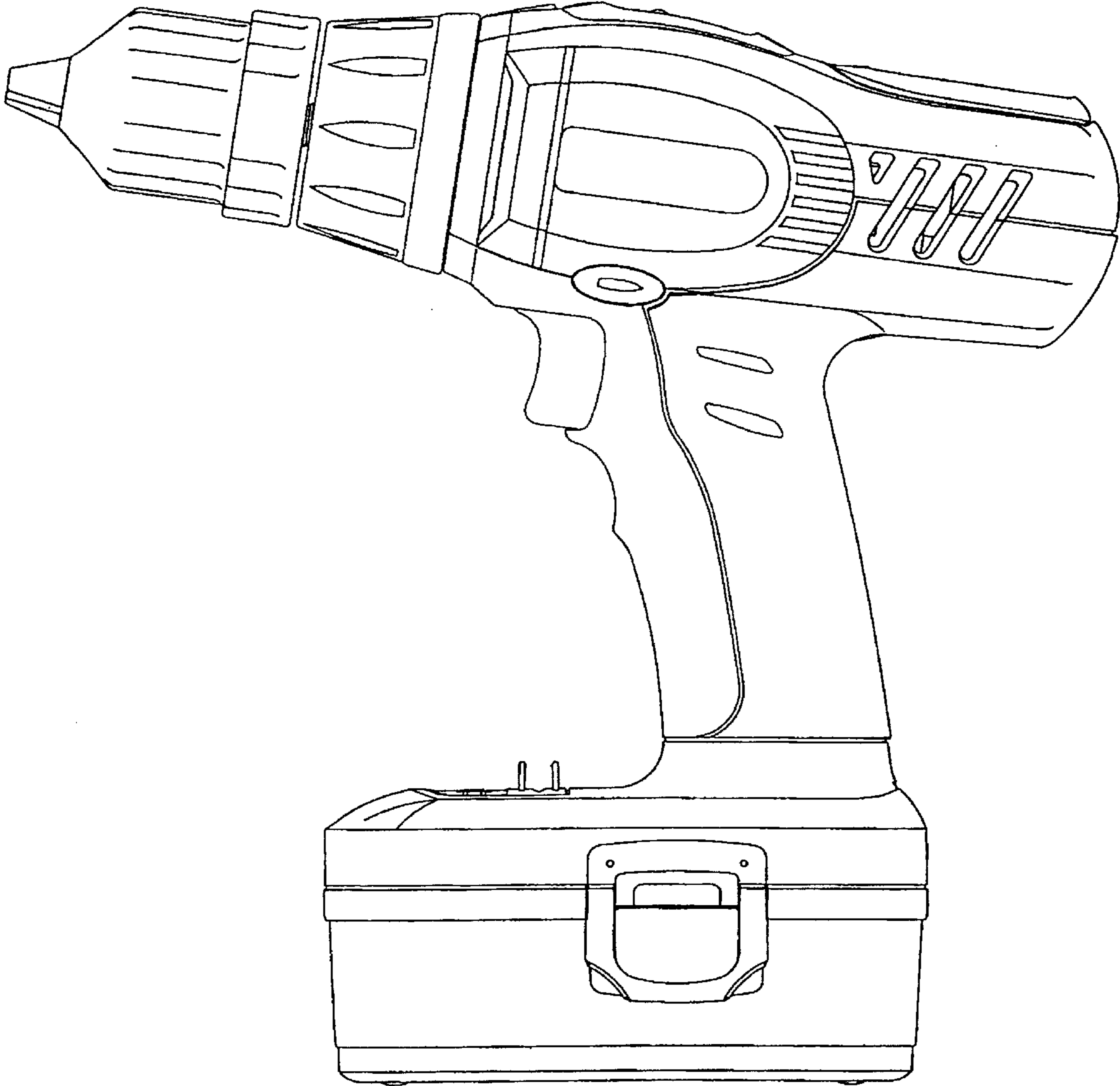


FIG. 2

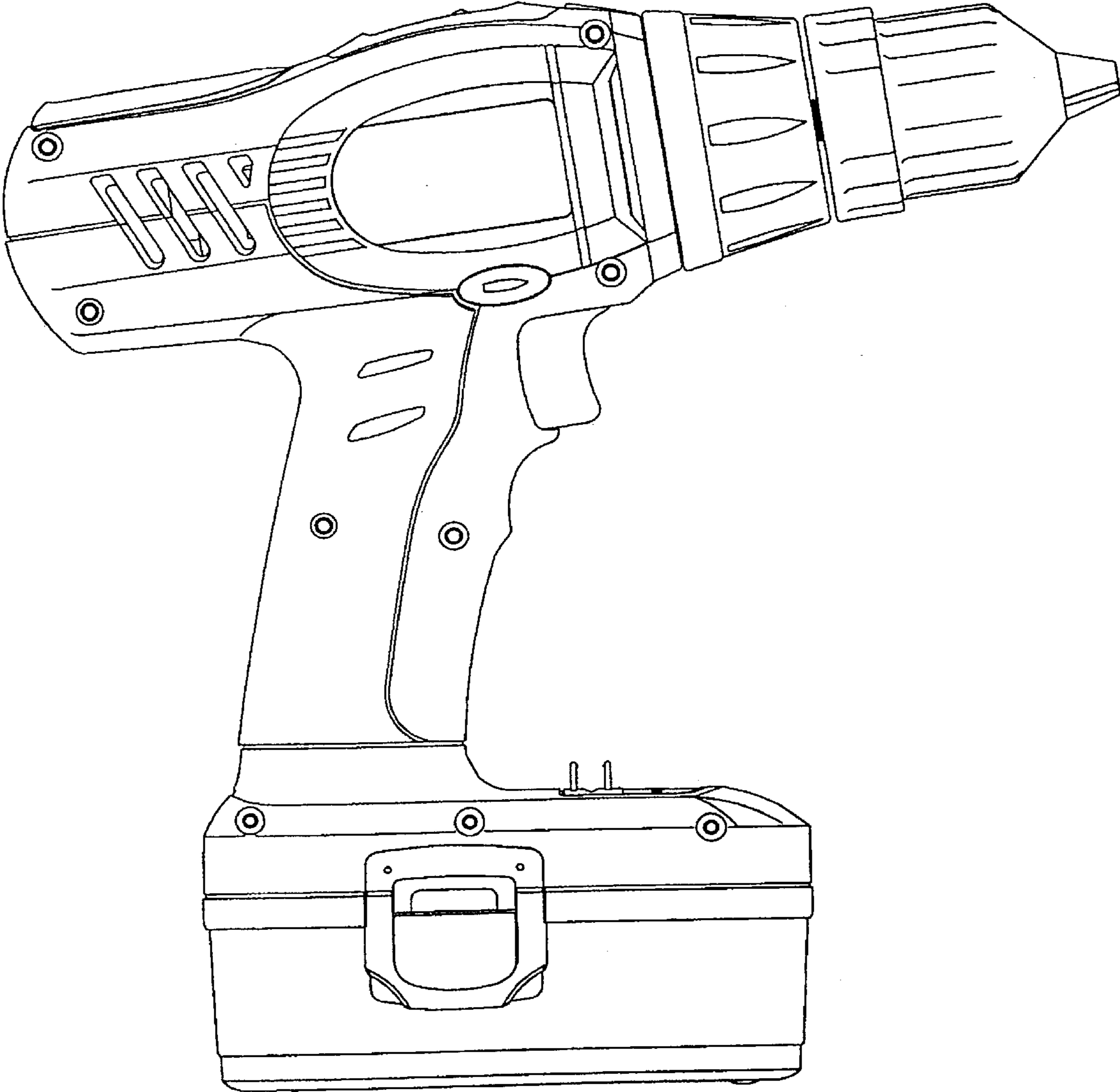


FIG. 3

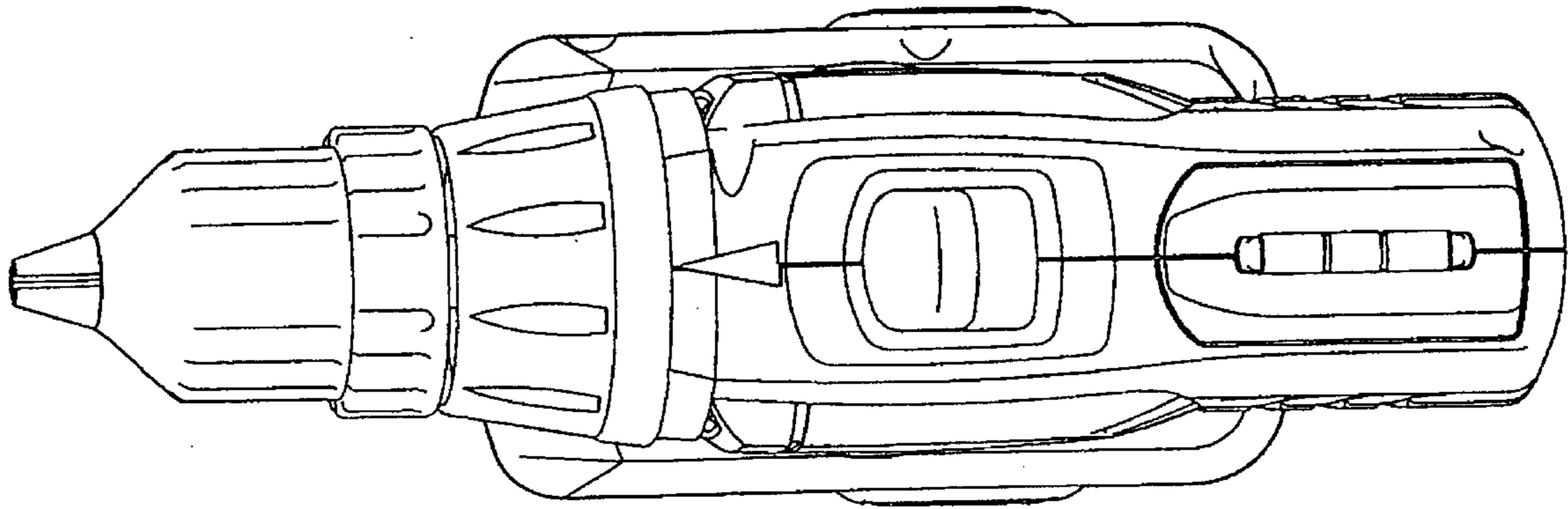


FIG. 4

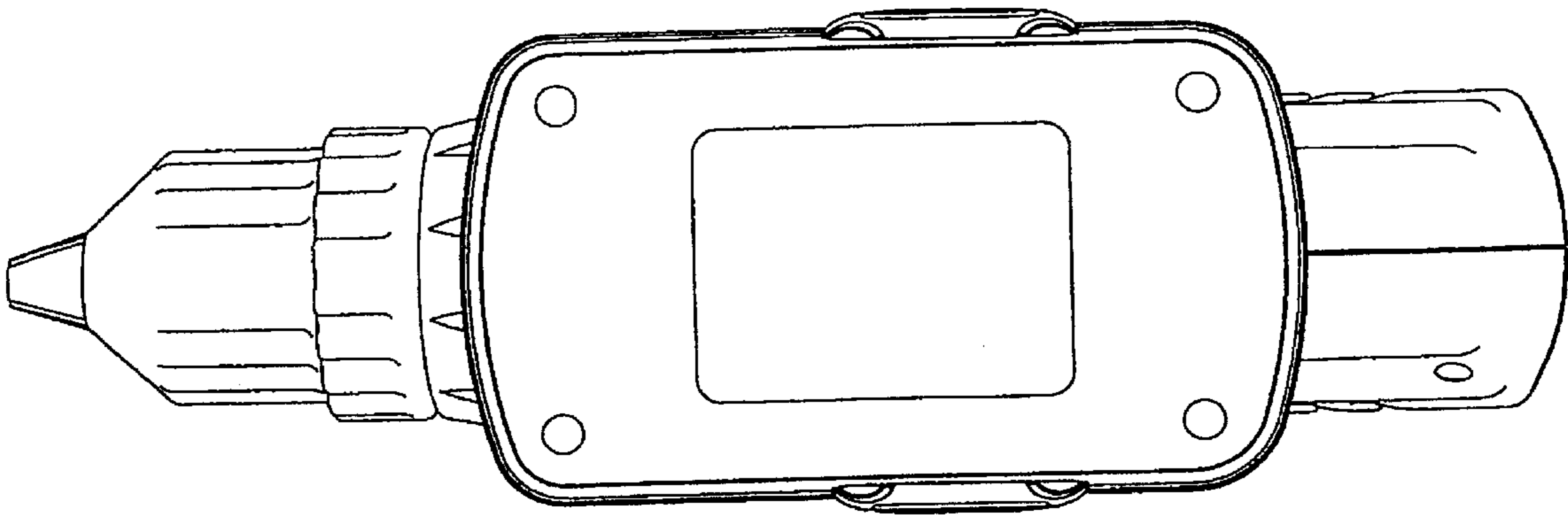


FIG. 5

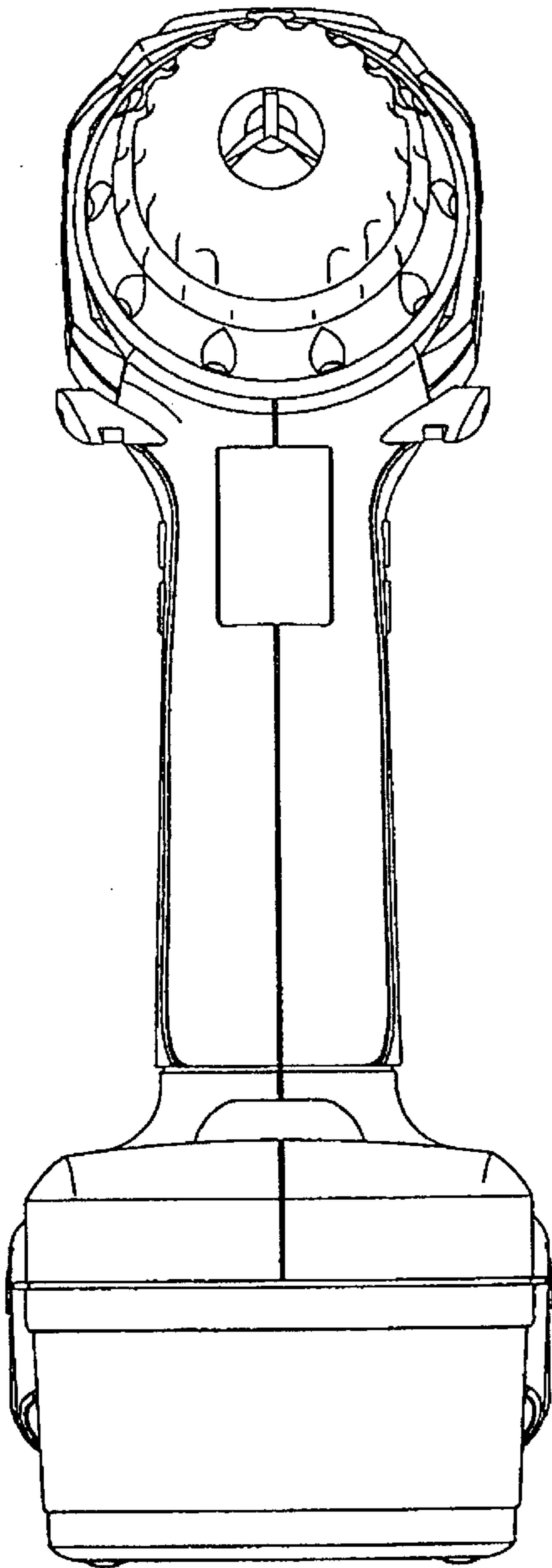


FIG. 6

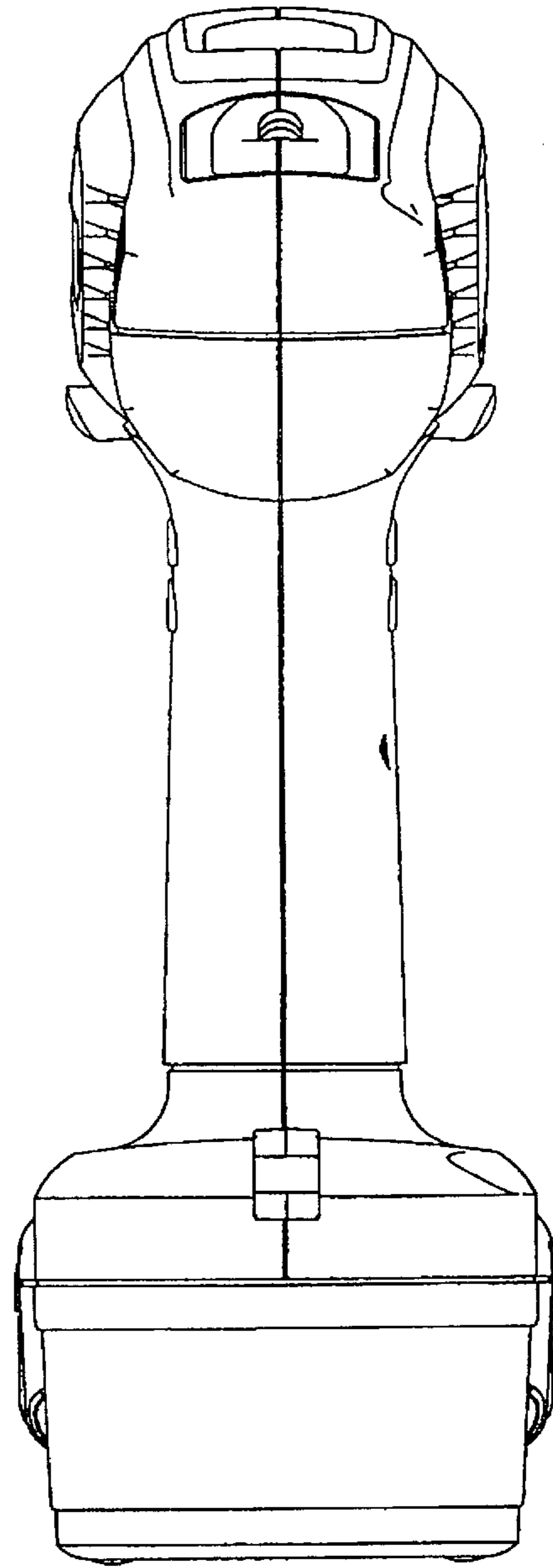


FIG. 7

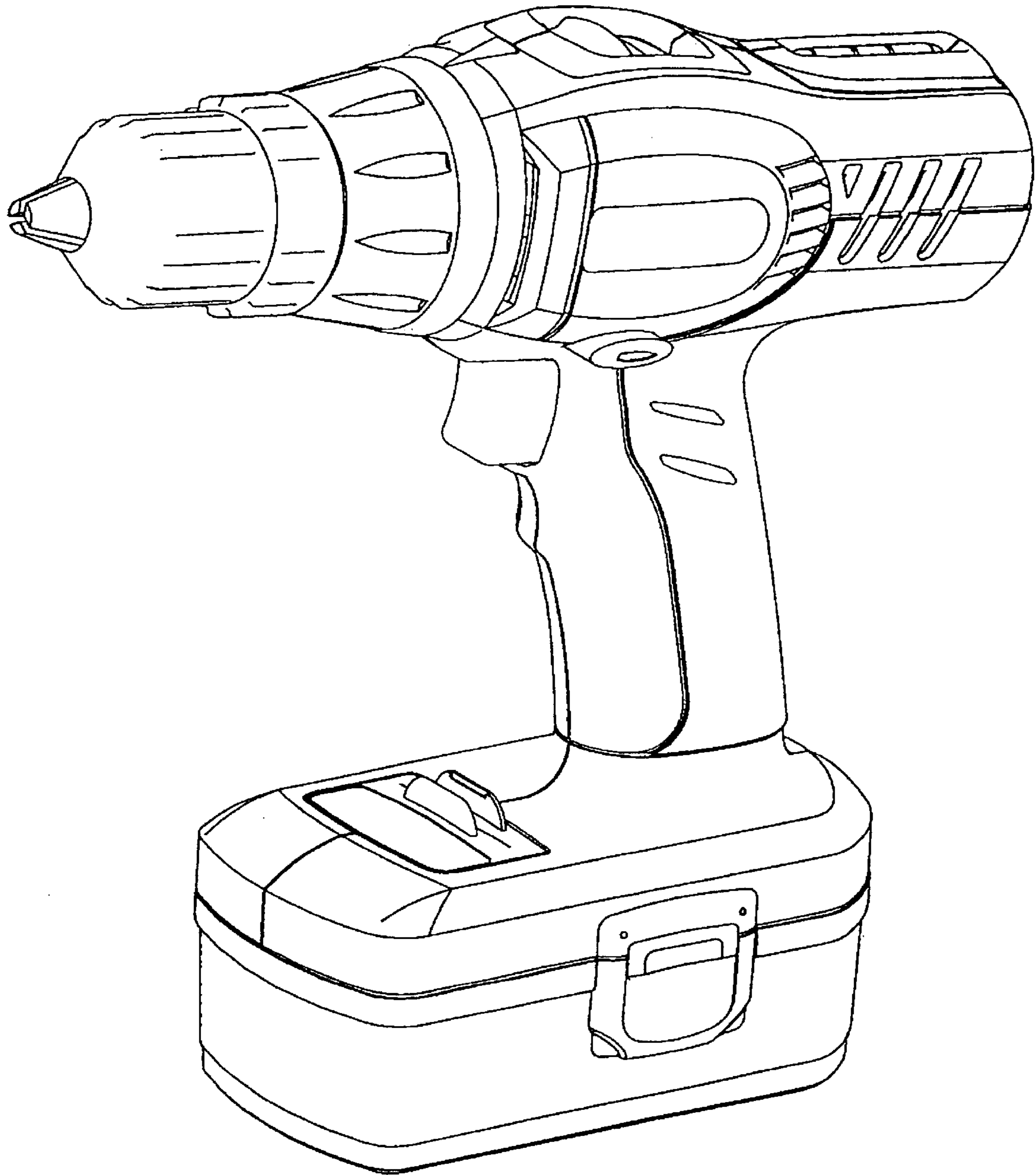


FIG. 8

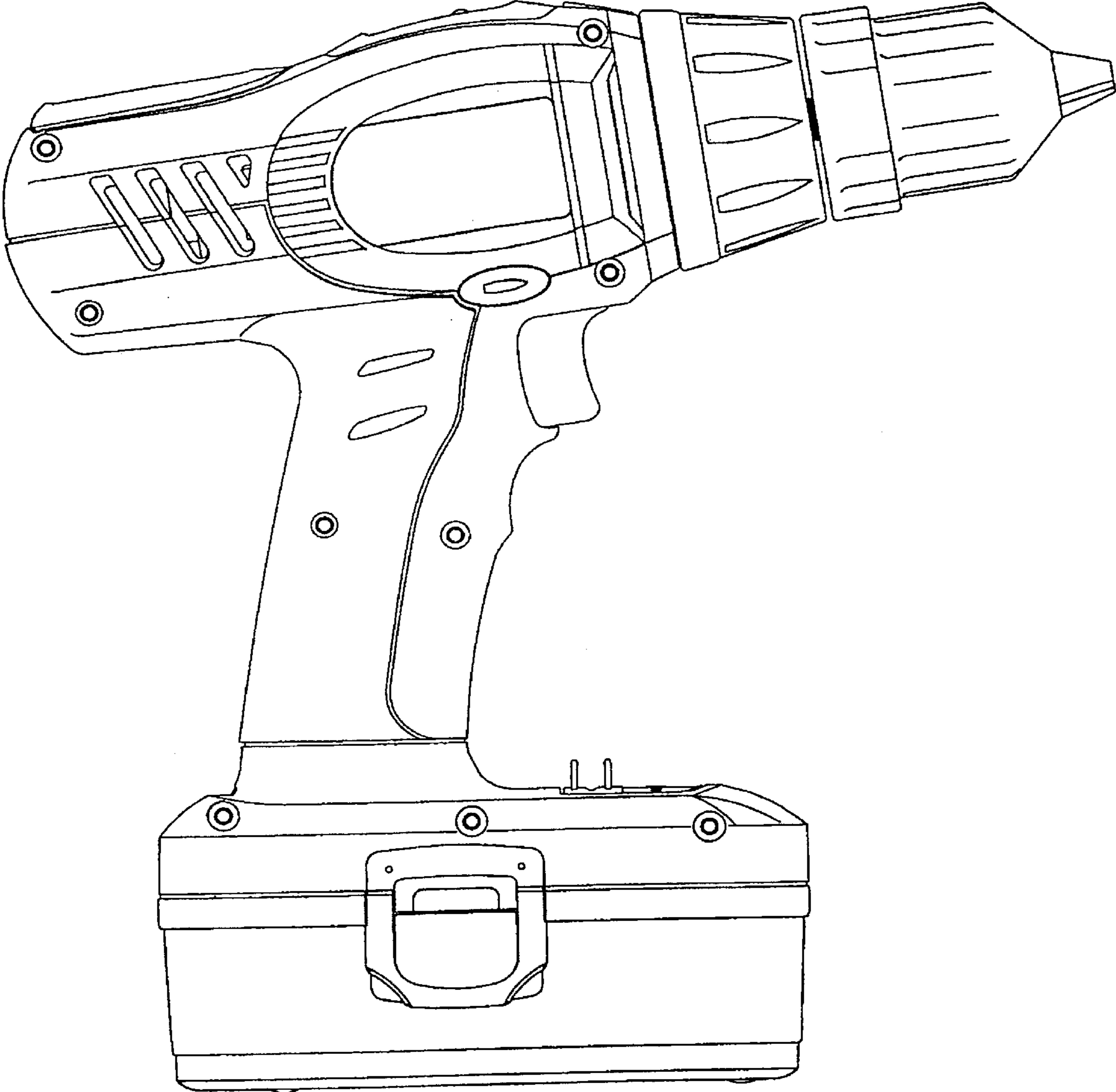


FIG. 9

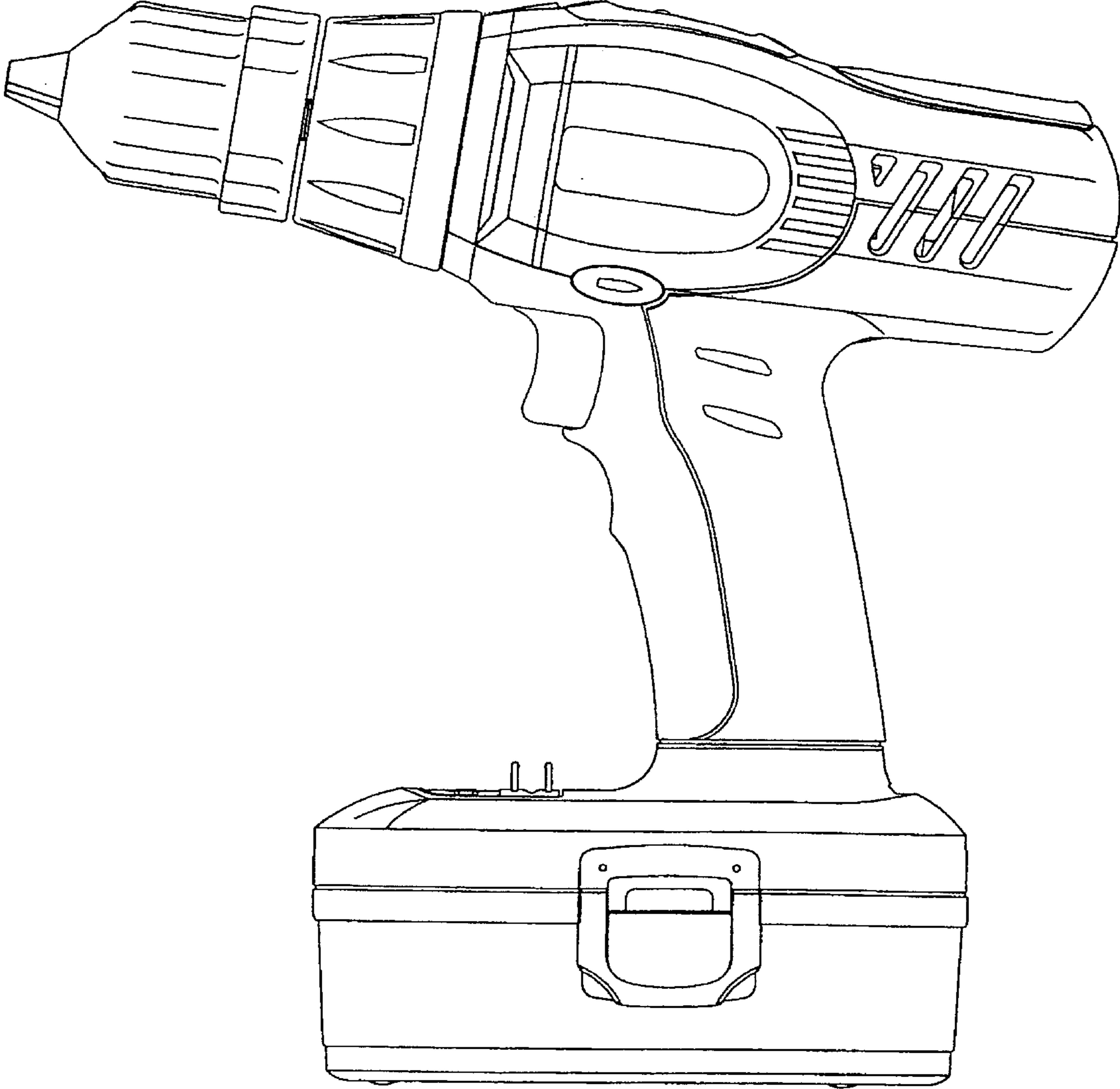


FIG. 10

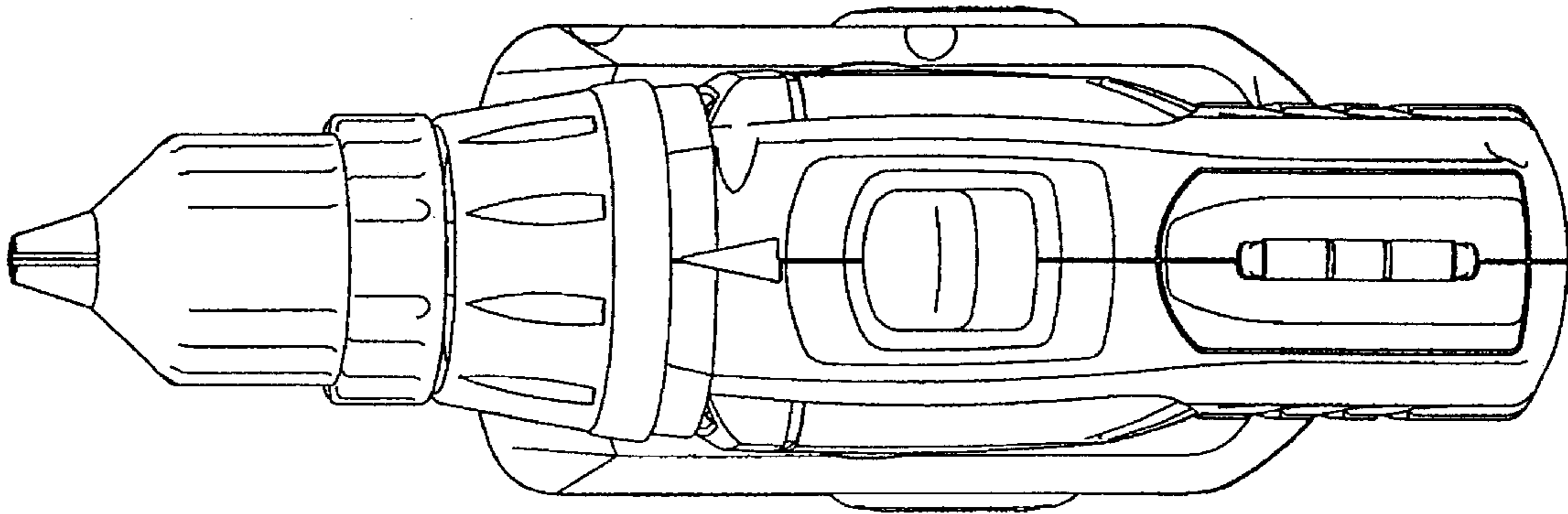


FIG. 11

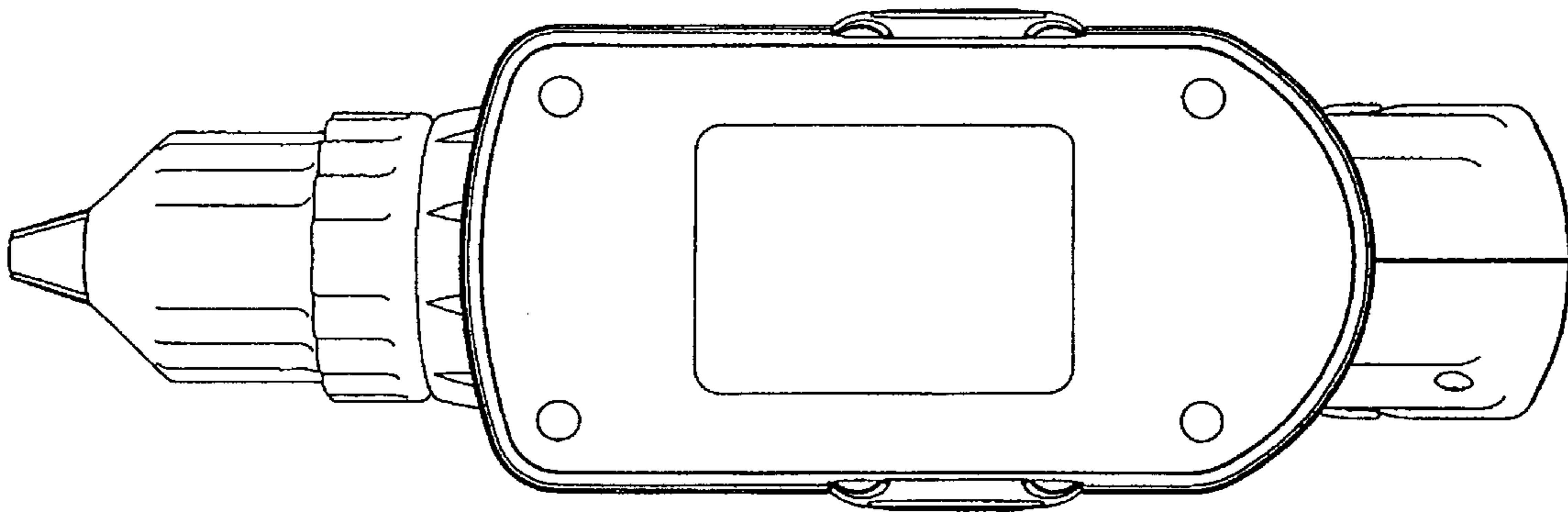


FIG. 12

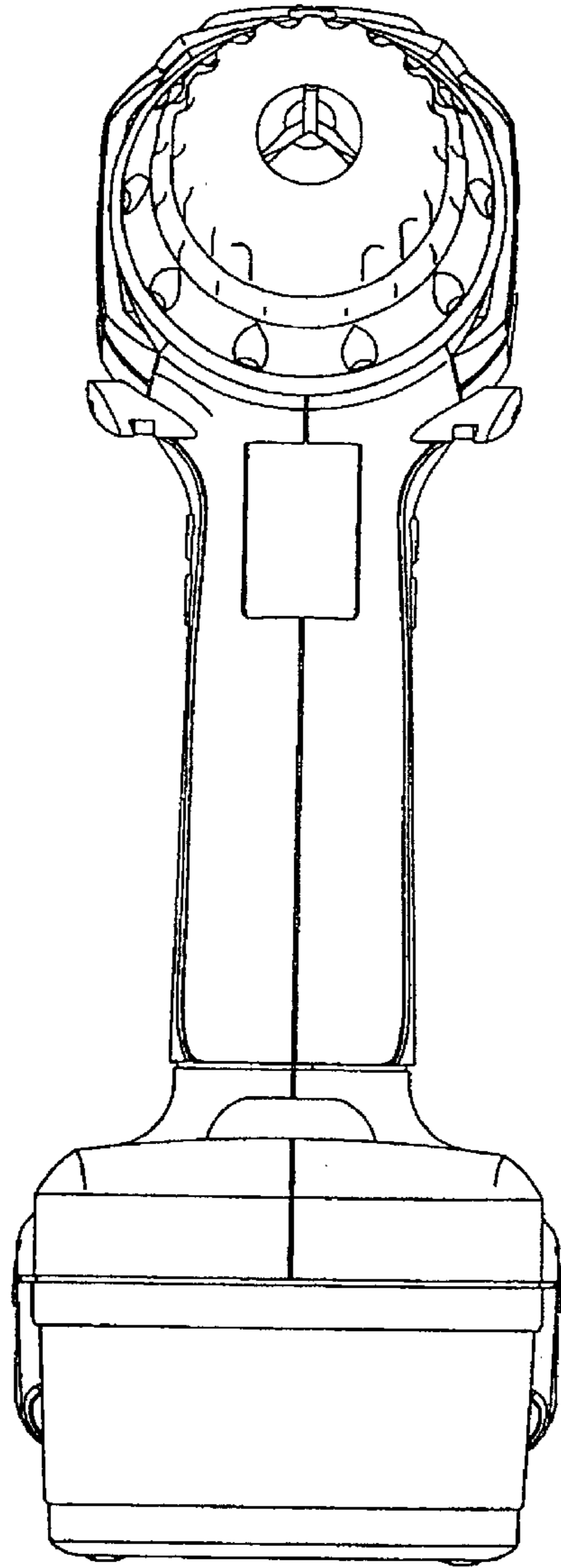


FIG. 13

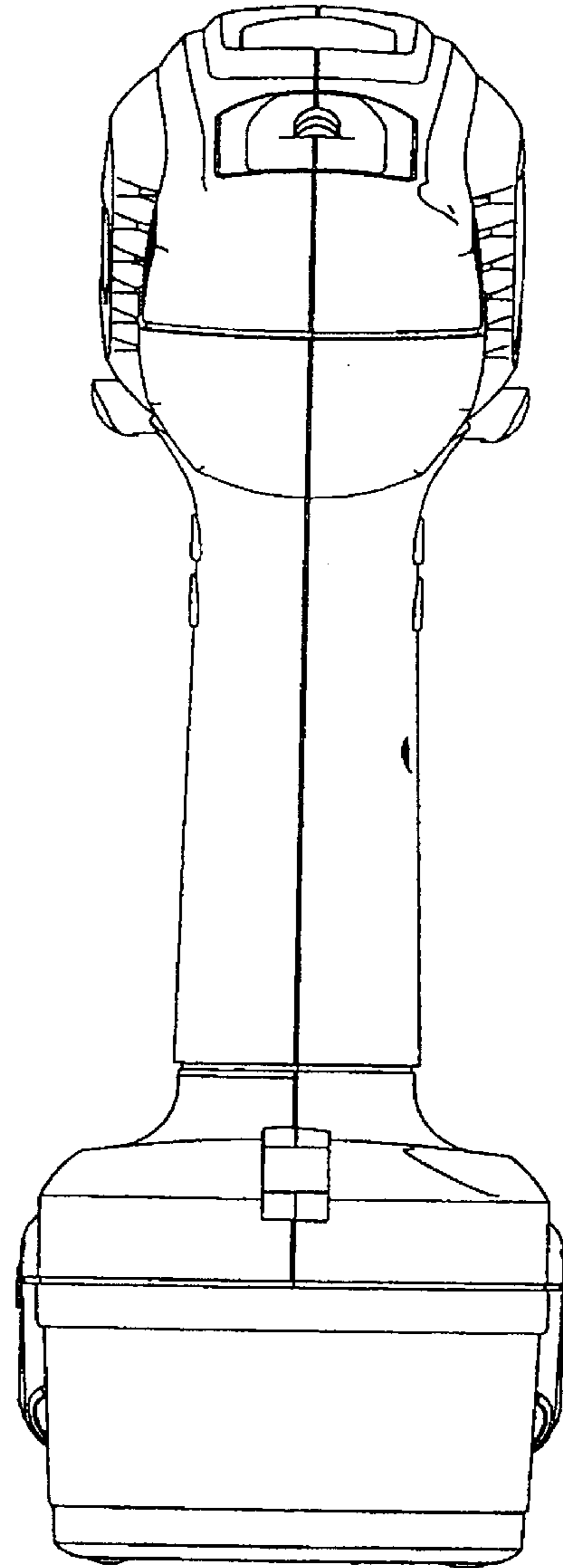


FIG. 14