

US00D508189S

(12) **United States Design Patent**
Murakami

(10) **Patent No.:** **US D508,189 S**

(45) **Date of Patent:** **** Aug. 9, 2005**

(54) **ABRADING MACHINE**

(75) **Inventor:** **Keiichi Murakami, Tokyo (JP)**

(73) **Assignee:** **Nitto Kohki Co., Ltd., Tokyo (JP)**

(**) **Term:** **14 Years**

(21) **Appl. No.:** **29/205,267**

(22) **Filed:** **May 12, 2004**

(30) **Foreign Application Priority Data**

Dec. 9, 2003 (JP) 2003-036463

(51) **LOC (8) Cl.** **08-01**

(52) **U.S. Cl.** **D8/62**

(58) **Field of Search** D8/62; 451/294,
451/344, 351, 353-359

(56) **References Cited**

U.S. PATENT DOCUMENTS

D215,047 S	*	8/1969	Mikiya	D8/62
4,368,597 A	*	1/1983	Fleckenstein	451/355
D321,464 S	*	11/1991	Mikiya	D8/62
D321,465 S	*	11/1991	Mikiya	D8/62
5,210,981 A	*	5/1993	Urda	451/355

5,235,784 A * 8/1993 Oki et al. 451/355

D351,544 S * 10/1994 Izumisawa D8/62

D357,164 S * 4/1995 Izumisawa D8/62

5,545,077 A * 8/1996 Boeck et al. 451/311

D491,782 S * 6/2004 Chiba et al. D8/62

* cited by examiner

Primary Examiner—Antoine D. Davis

(74) *Attorney, Agent, or Firm*—Brinks Hofer Gilson & Lione

(57) **CLAIM**

I claim the ornamental design for an abrading machine, as shown and described.

DESCRIPTION

FIG. 1 is a top perspective view of an abrading machine of the present invention;

FIG. 2 is a front view thereof;

FIG. 3 is a rear view thereof;

FIG. 4 is a top view thereof;

FIG. 5 is a bottom view thereof;

FIG. 6 is a first side view thereof; and,

FIG. 7 is a second side view thereof.

1 Claim, 2 Drawing Sheets

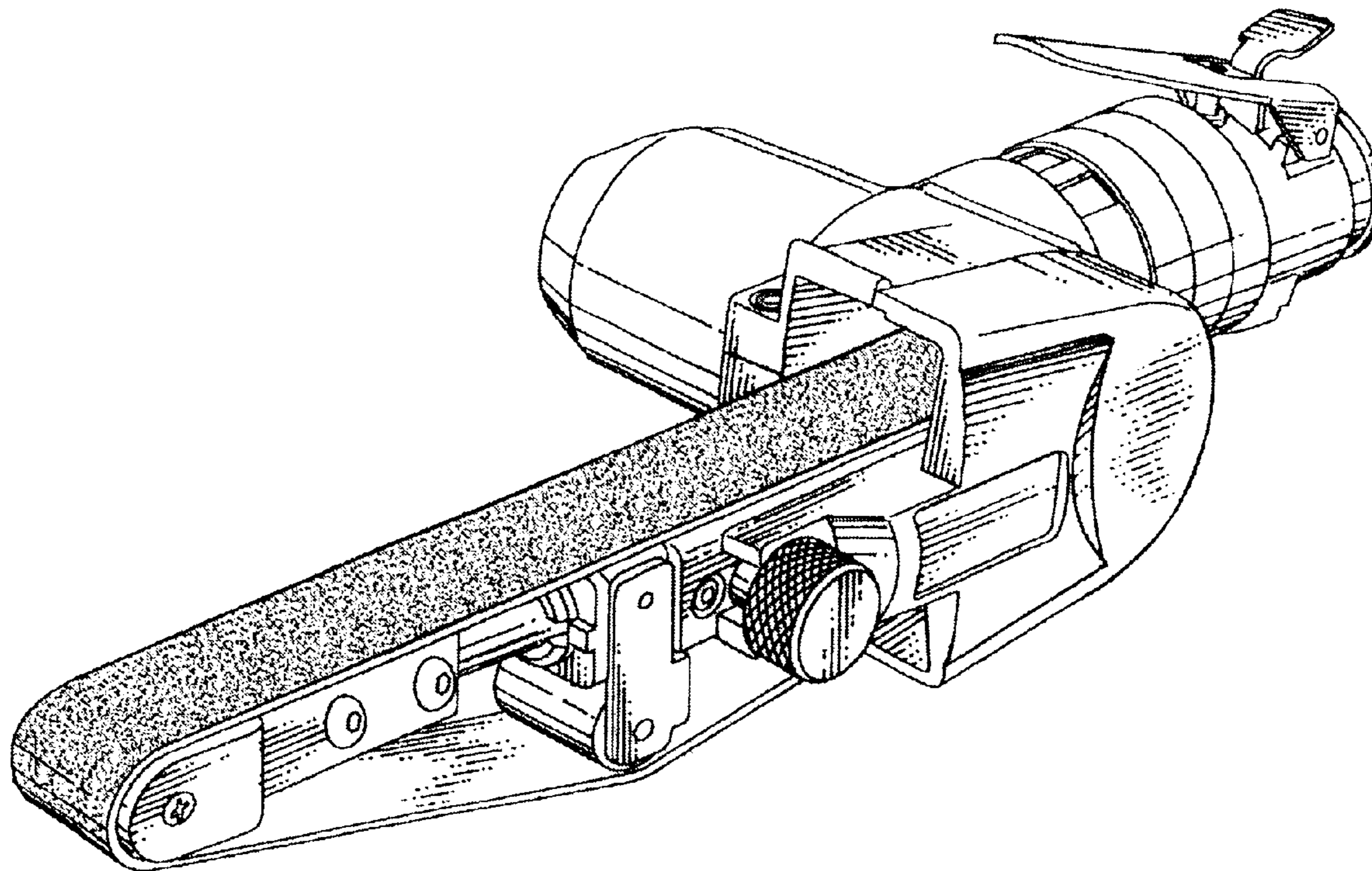


Fig. 1

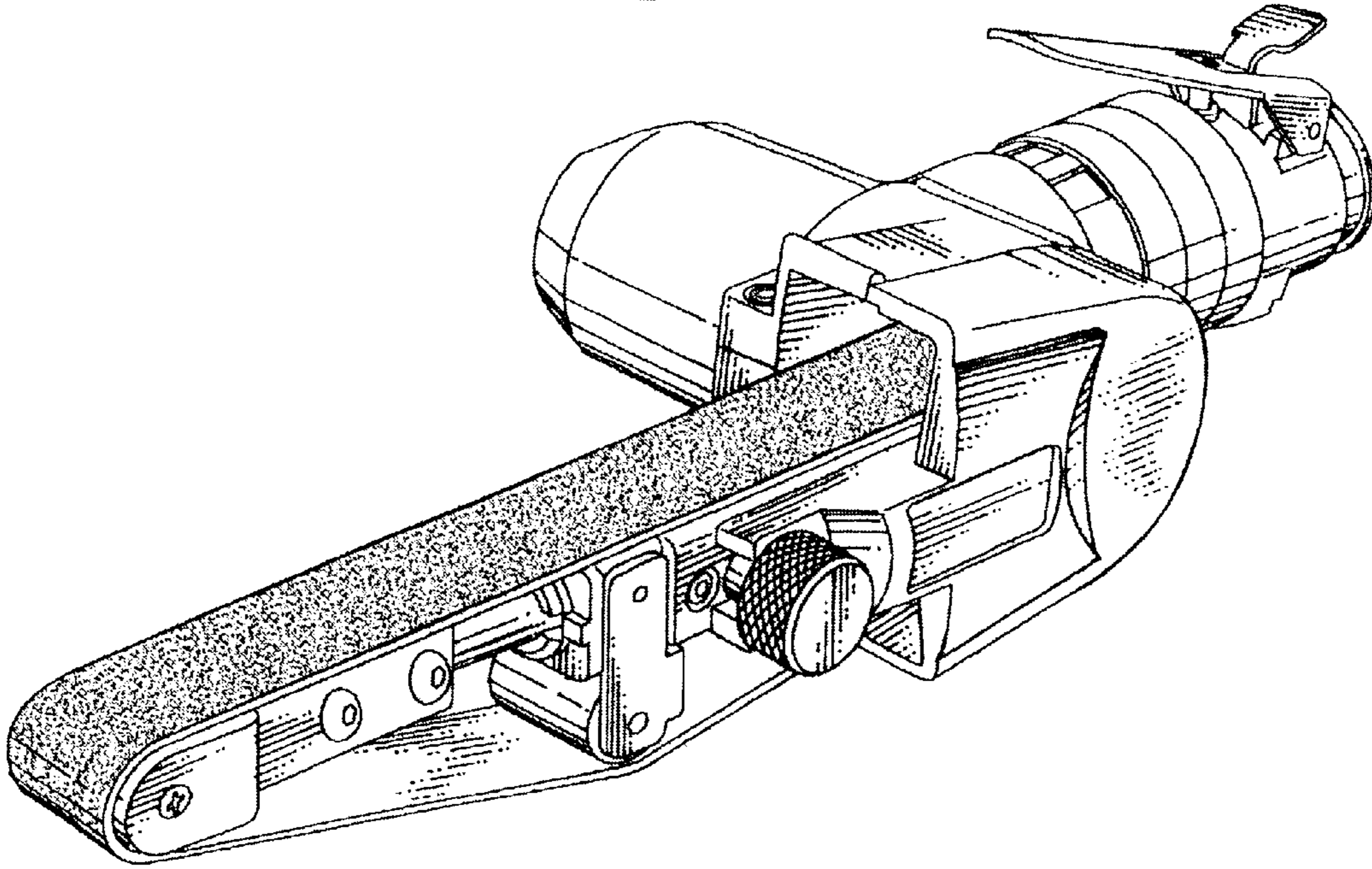


Fig. 2

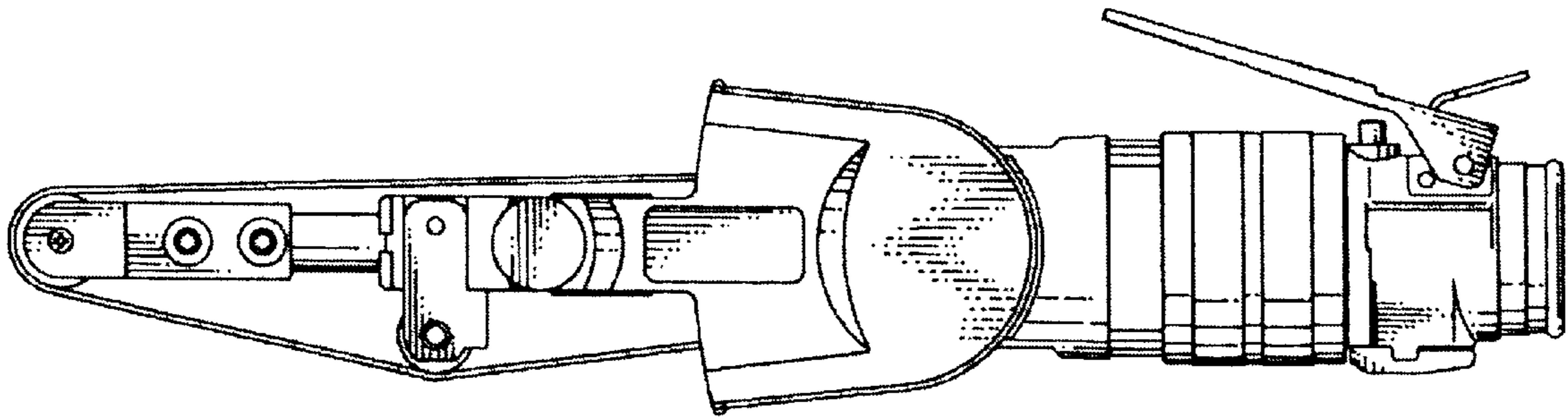


Fig. 3

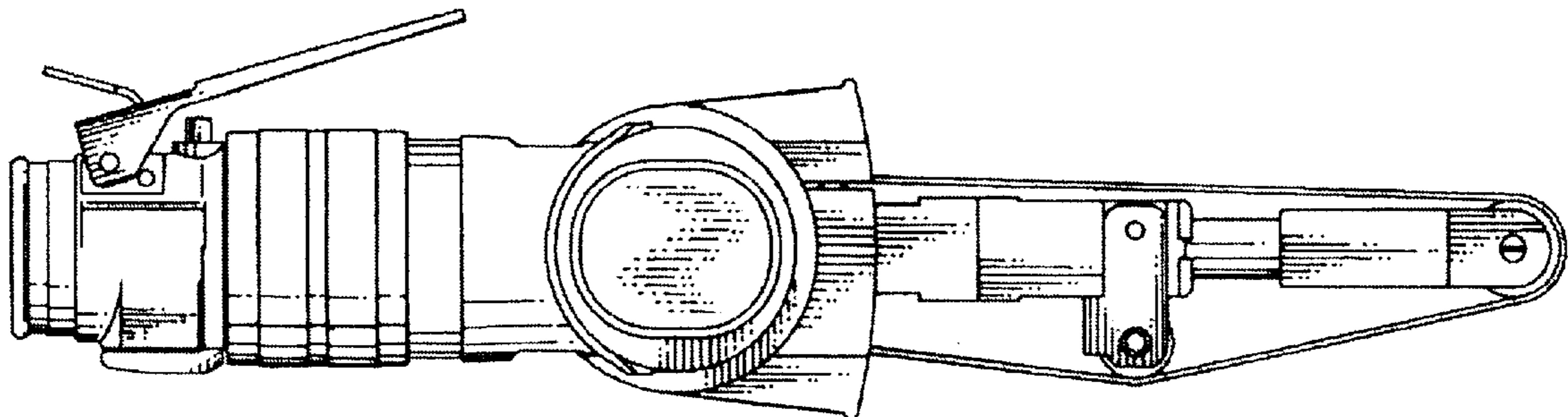


Fig. 4

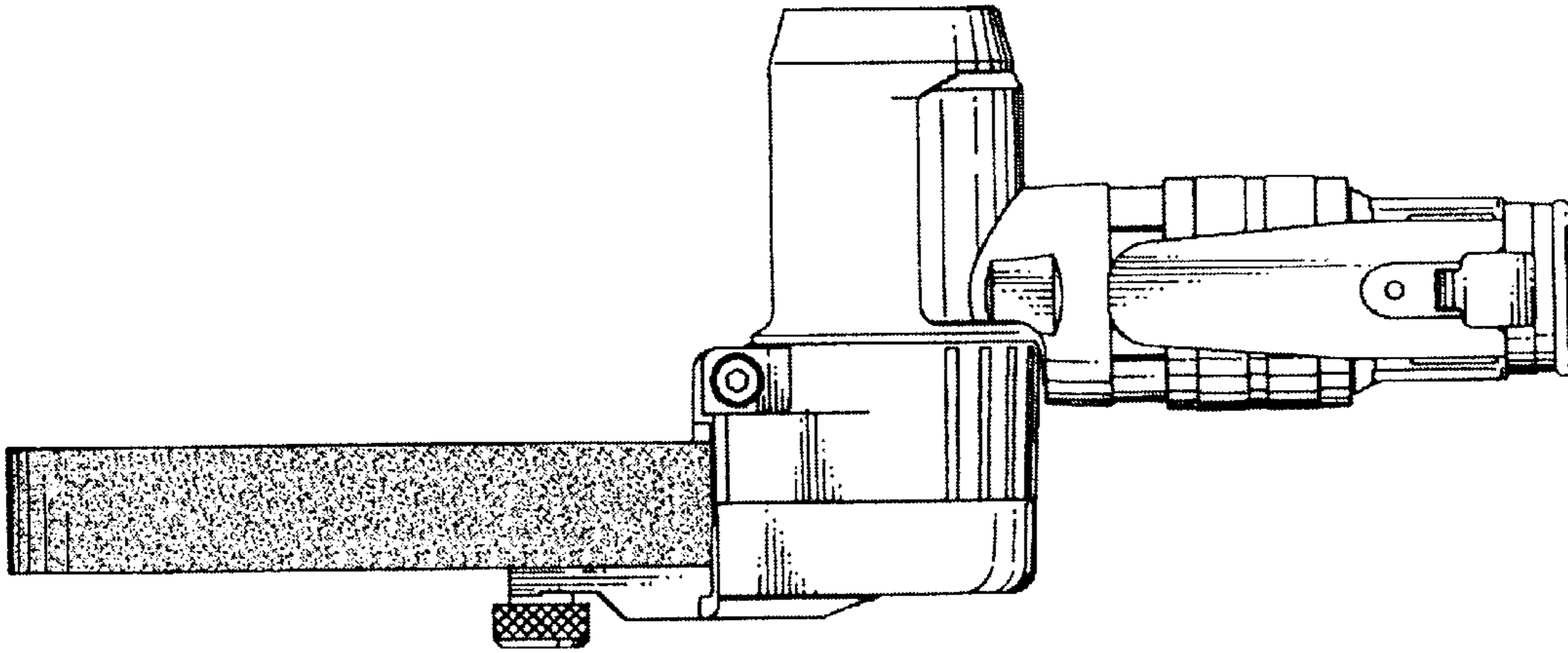


Fig. 5

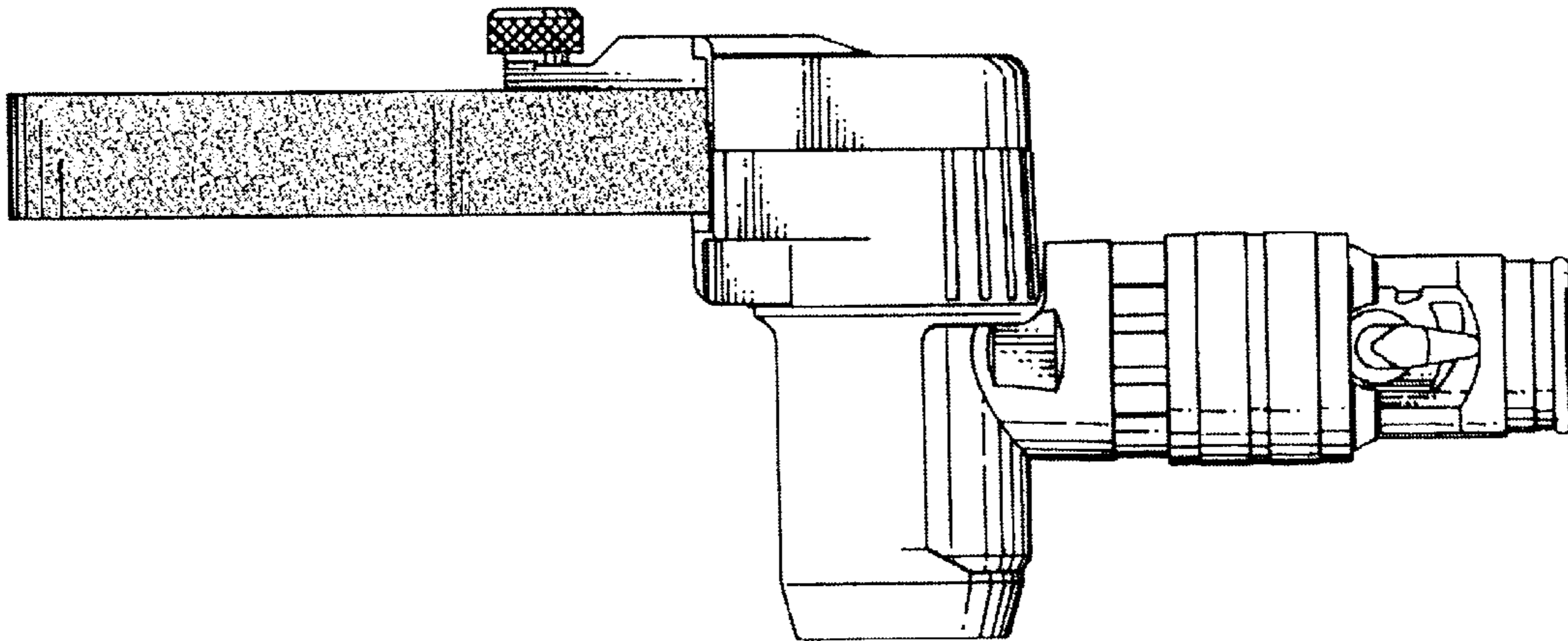


Fig. 6

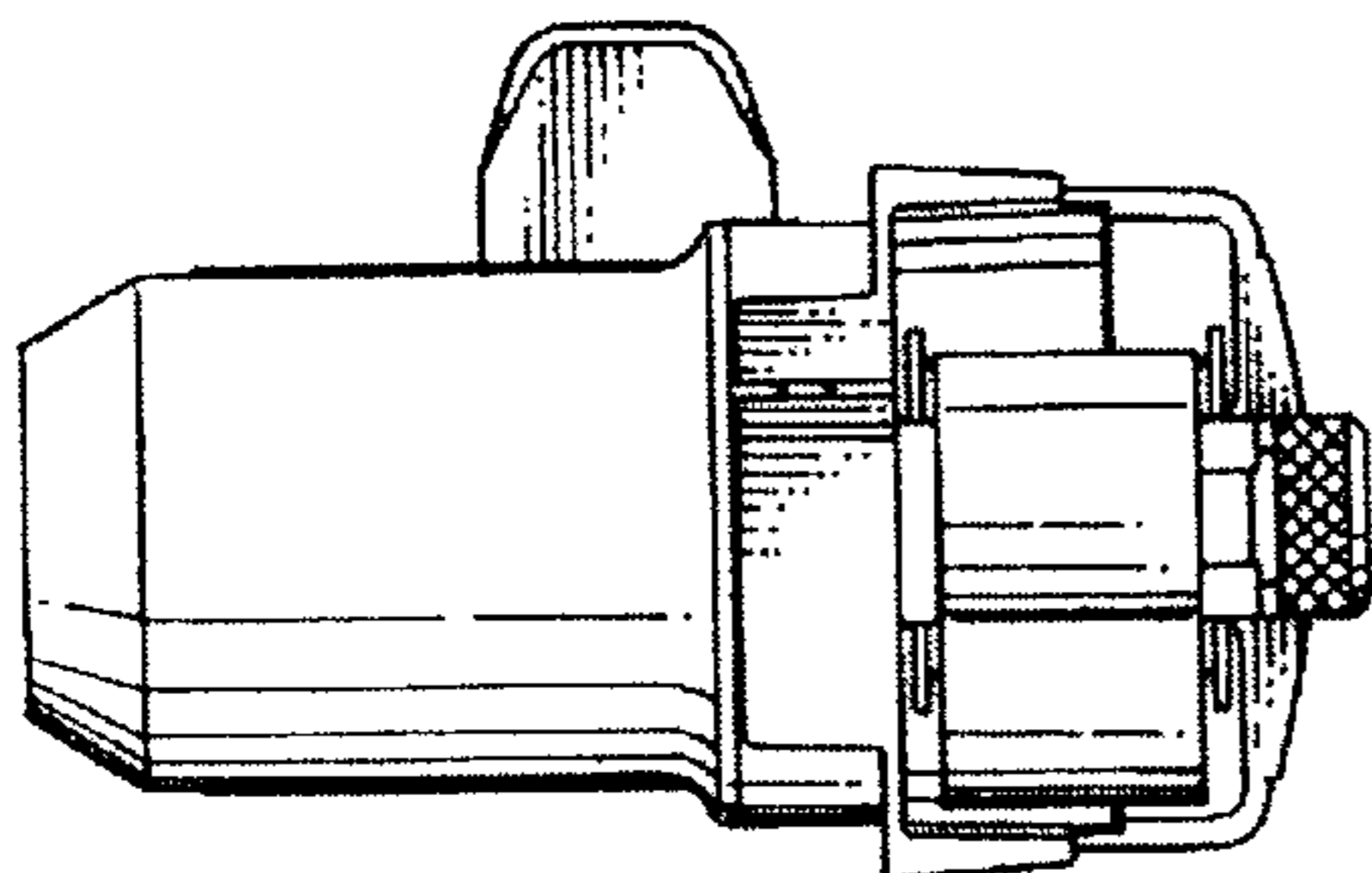


Fig. 7

