

US00D508181S

(12) **United States Design Patent** (10) **Patent No.:** **US D508,181 S**  
**Welch** (45) **Date of Patent:** **\*\* Aug. 9, 2005**

(54) **FOLDABLE DIAPER CHANGING ARTICLE**

D330,139 S 10/1992 Bloom ..... D6/596  
D339,710 S \* 9/1993 Perna, Jr. .... D6/608  
D355,096 S 2/1995 Lang ..... D6/608

(75) Inventor: **Grace M. Welch**, San Francisco, CA  
(US)

(Continued)

(73) Assignee: **Patemm and Company**, San Francisco,  
CA (US)

**OTHER PUBLICATIONS**

(\*\*) Term: **14 Years**

One Step Ahead, early Spring, 2002, p. 47, diaper changing pads, [retrieved Feb. 16, 2005]. Retrieved from internet using Google Advanced catalog search, <URL:www.onestepahead.com>.\*

(21) Appl. No.: **29/213,011**

Deluxe Fold & Go Diapering Kit, http://www.thefirstyears.com/products/product.asp?pValue=4360, 2004, The First Years, printed from internet Nov. 1, 2004.

(22) Filed: **Sep. 10, 2004**

**Related U.S. Application Data**

(63) Continuation-in-part of application No. 10/872,801, filed on Jun. 21, 2004.

*Primary Examiner*—Lucy Lieberman

(74) *Attorney, Agent, or Firm*—Fliesler Meyer LLP

(51) **LOC (8) Cl.** ..... **06-09**

(57) **CLAIM**

(52) **U.S. Cl.** ..... **D6/596; D6/592; D6/601**

The ornamental design for a foldable diaper changing article, as shown and described.

(58) **Field of Search** ..... D6/595, 596, 601,  
D6/603, 604, 605, 608, 611, 582, 592;  
5/417–420, 655, 632–640, 653, 654, 490,  
655.9, 655.5, 656, 907, 495, 502; 383/4;  
190/1, 2; D3/274, 233

**DESCRIPTION**

(56) **References Cited**

**U.S. PATENT DOCUMENTS**

3,073,367 A \* 1/1963 Samara ..... 383/97  
3,143,748 A \* 8/1964 Manning ..... 5/420  
3,489,194 A \* 1/1970 Hoover ..... 383/4  
D230,117 S \* 1/1974 Johnson ..... D6/596  
4,566,130 A 1/1986 Coates ..... 383/15  
D290,908 S 7/1987 Thomas ..... D3/71  
D294,909 S 3/1988 Donnor ..... D6/595  
4,781,277 A 11/1988 Lim ..... 190/1  
4,788,726 A 12/1988 Rafalko ..... 5/93  
4,792,024 A 12/1988 Morton ..... 190/1  
4,794,029 A \* 12/1988 Tennant et al. .... 428/101  
4,856,912 A 8/1989 Damus ..... 383/4  
4,886,150 A 12/1989 Fitzsimmons ..... 190/1  
5,035,013 A 7/1991 Bloom ..... 5/420  
5,069,554 A \* 12/1991 Bonnett ..... 383/4  
5,088,139 A \* 2/1992 Bloom ..... 5/420

FIG. 1 is a top, front and side perspective view of a foldable diaper changing article shown in a folded position.

FIG. 2 is a front view of the foldable diaper changing article shown in FIG. 1.

FIG. 3 is a rear view of the foldable diaper changing article shown in FIG. 1.

FIG. 4 is a right side view of the foldable diaper changing article shown in FIG. 1.

FIG. 5 is a left side view of the foldable diaper changing article shown in FIG. 1.

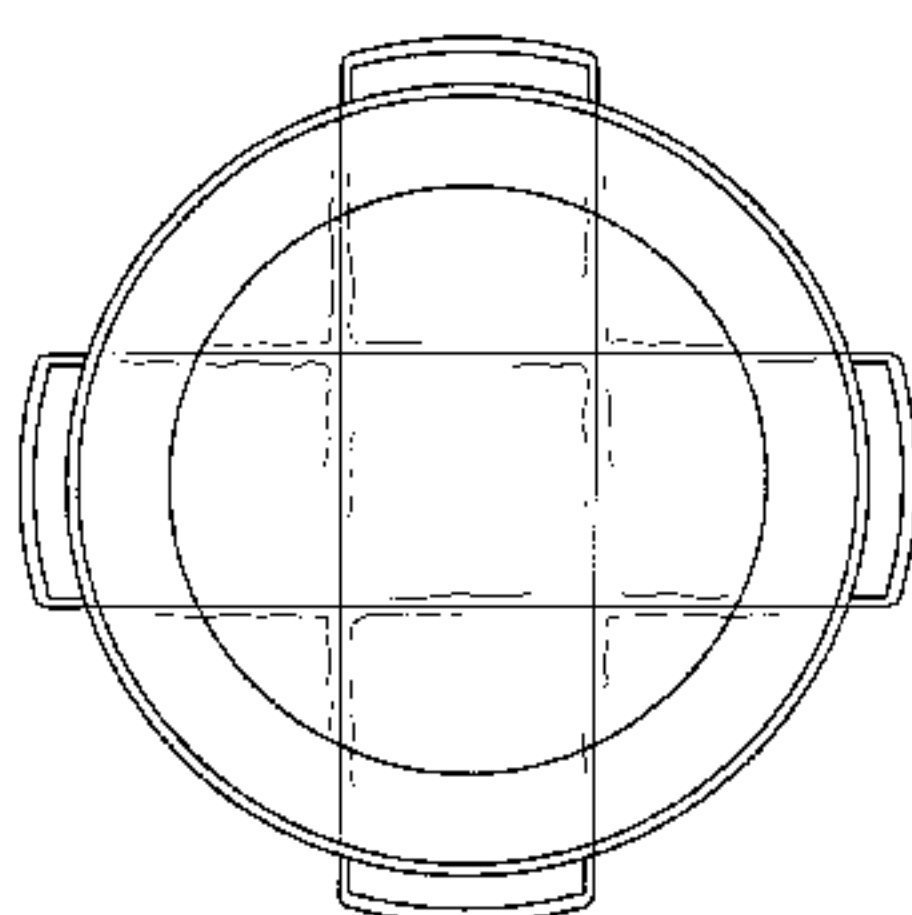
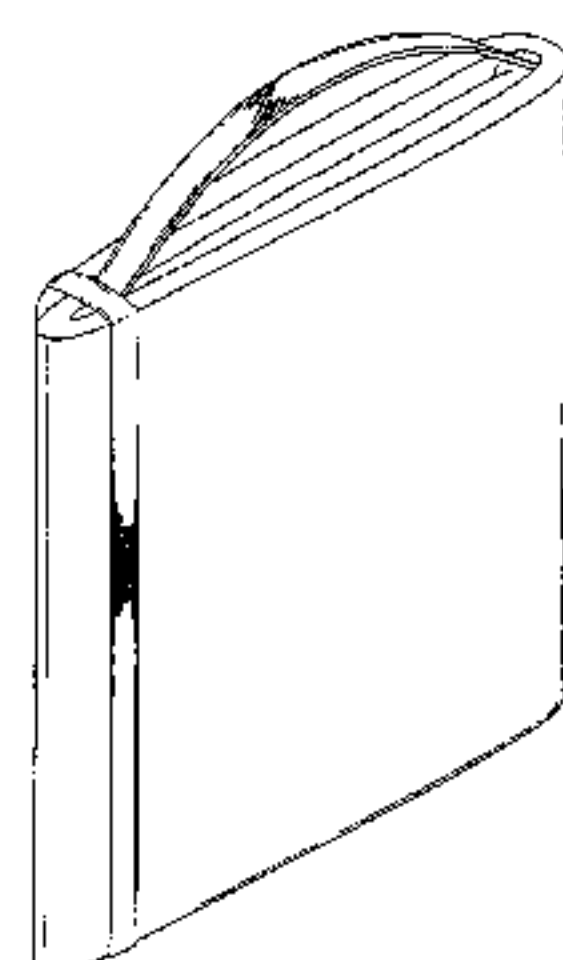
FIG. 6 is a bottom view of the foldable diaper changing article shown in FIG. 1.

FIG. 7 is a top view of the foldable diaper changing article shown in FIG. 1.

FIG. 8 is a front view of the foldable diaper changing article in FIG. 1 in an unfolded position; and,

FIG. 9 is a rear view of the foldable diaper changing article in FIG. 1 in the unfolded position.

**1 Claim, 7 Drawing Sheets**



# US D508,181 S

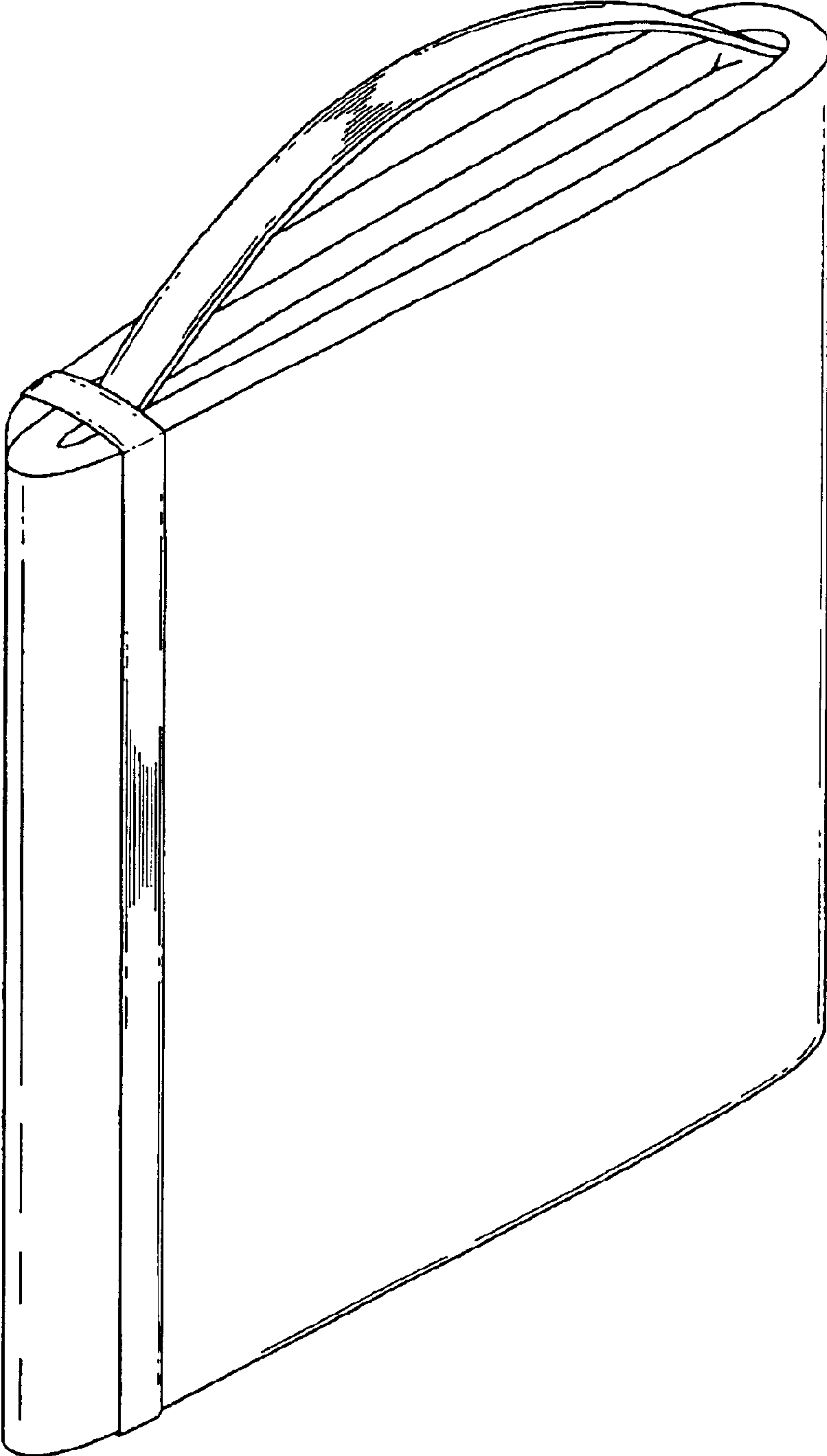
Page 2

---

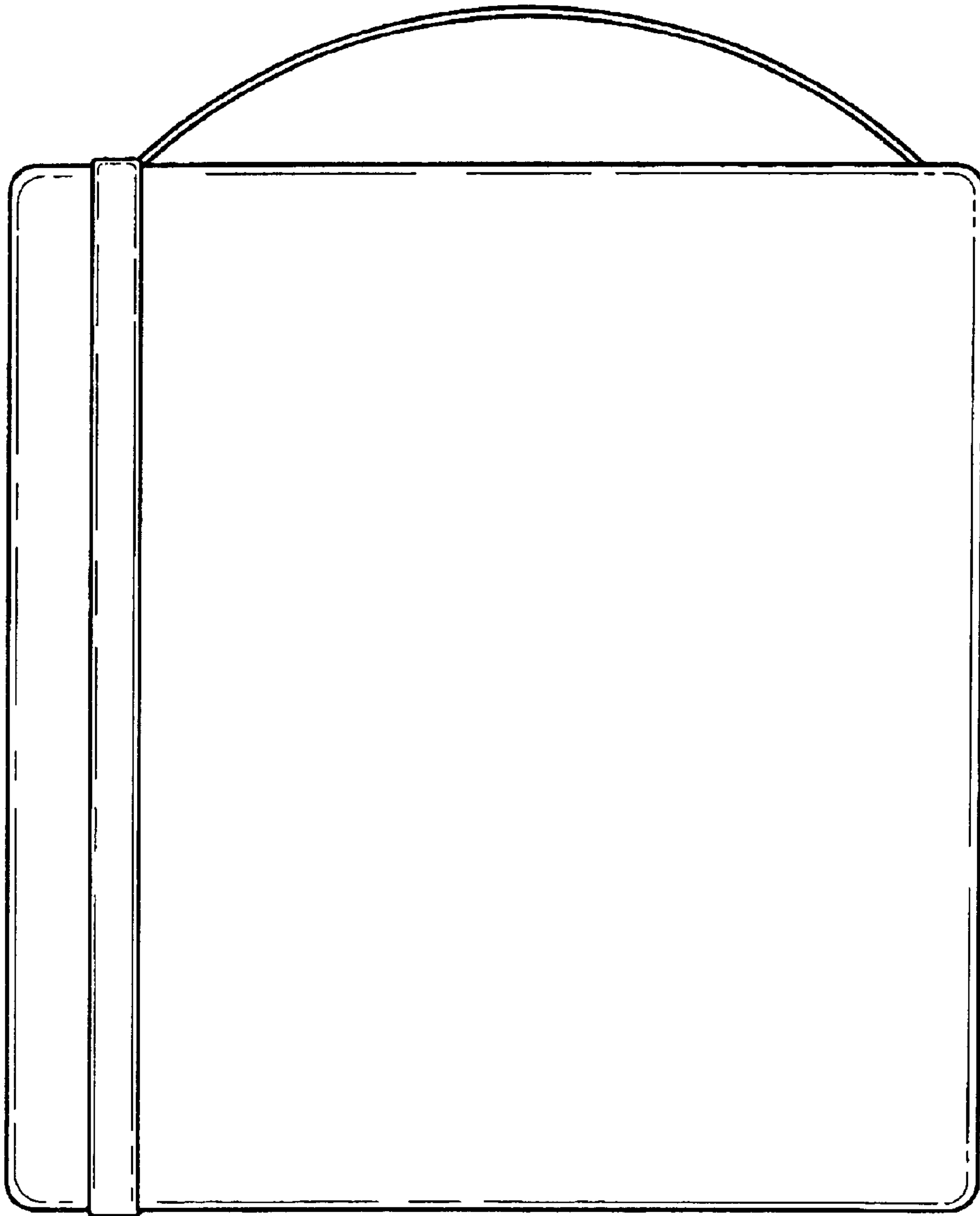
## U.S. PATENT DOCUMENTS

D366,368 S	1/1996	McCarthy .....	D6/333	D421,178 S	*	2/2000	Dandini .....	D3/233
5,666,679 A	9/1997	Ruddy .....	5/502	6,176,356 B1		1/2001	Powley .....	190/1
5,819,343 A	* 10/1998	Zampirri et al. ....	5/417	6,212,711 B1	*	4/2001	Gilmour .....	5/420
D407,216 S	* 3/1999	Vickers .....	D3/233	6,272,704 B1		8/2001	Cutler .....	5/655
D410,144 S	5/1999	Kay .....	D3/233	D467,117 S		12/2002	Guy .....	D6/596
5,971,611 A	10/1999	Rosengren .....	383/4	6,694,552 B1		2/2004	Vickers .....	5/655
D417,090 S	11/1999	Reynolds .....	D6/390					

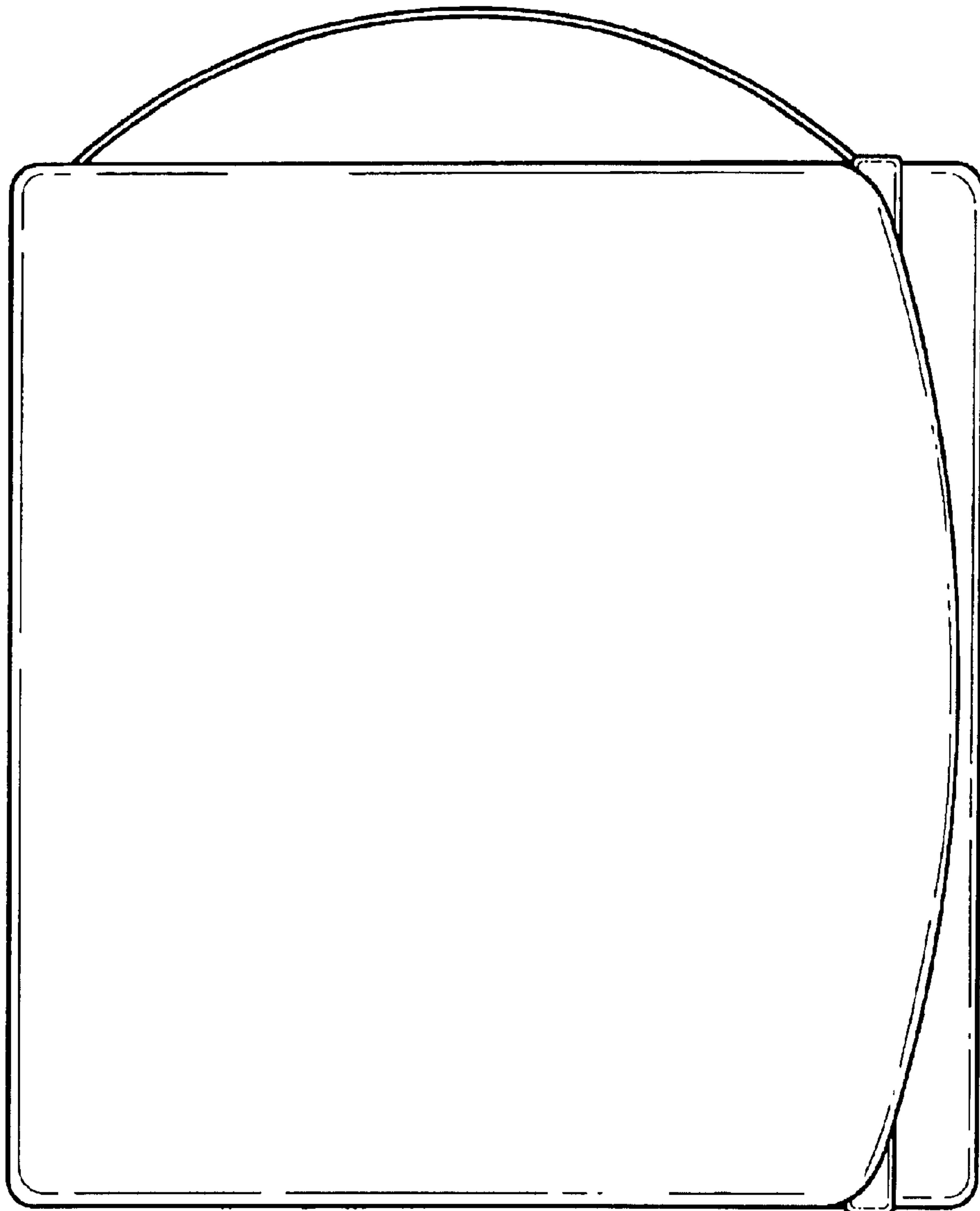
\* cited by examiner



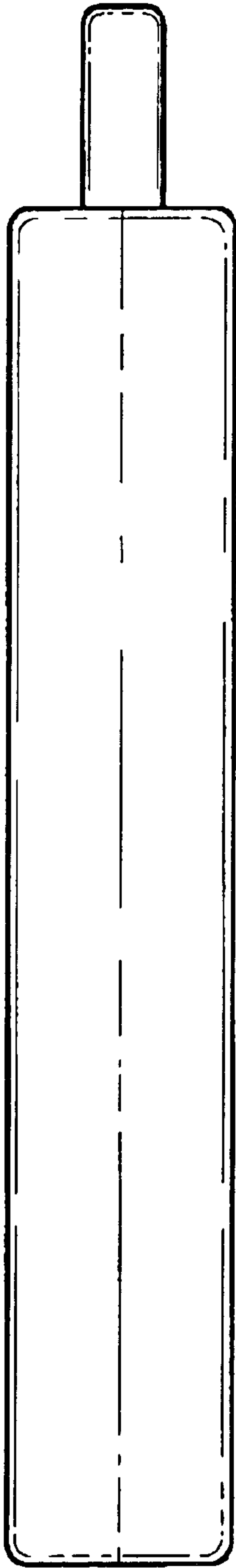
*Fig. 1*



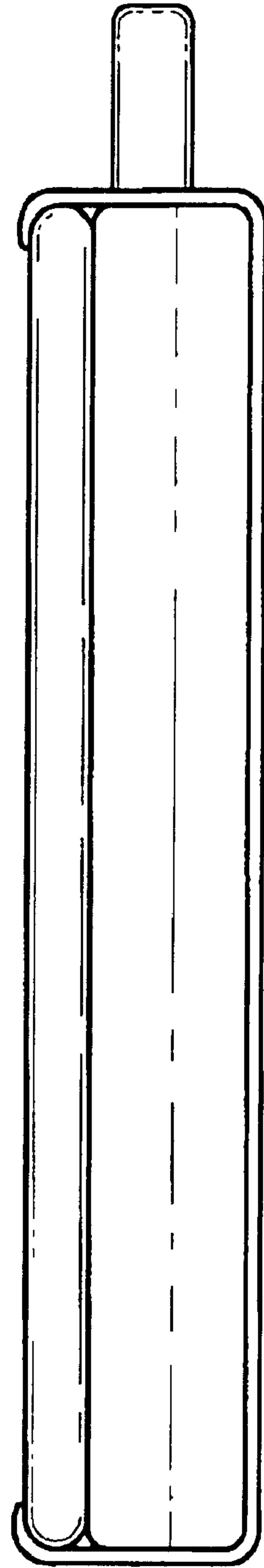
*Fig. 2*



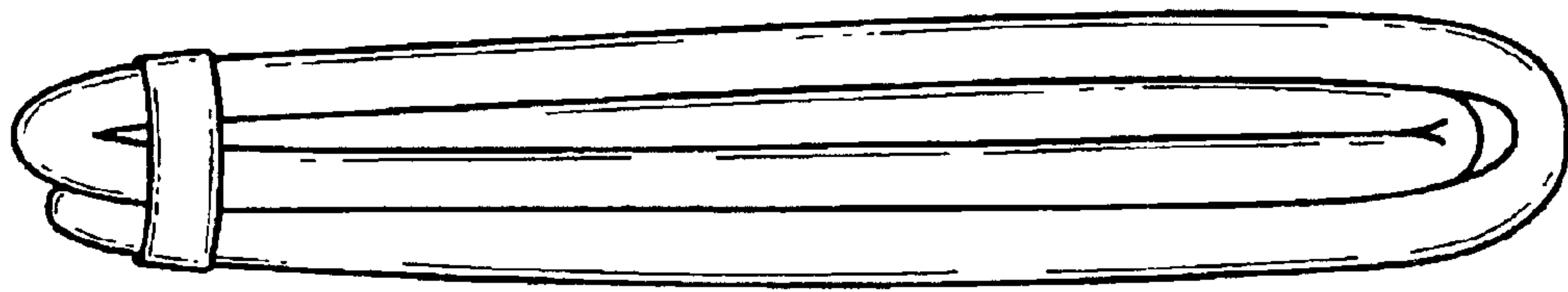
*Fig. 3*



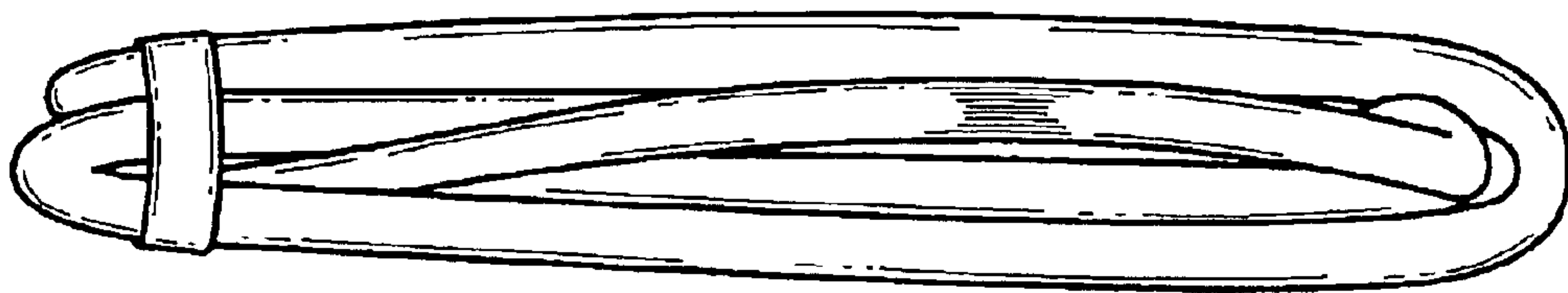
*Fig. 4*



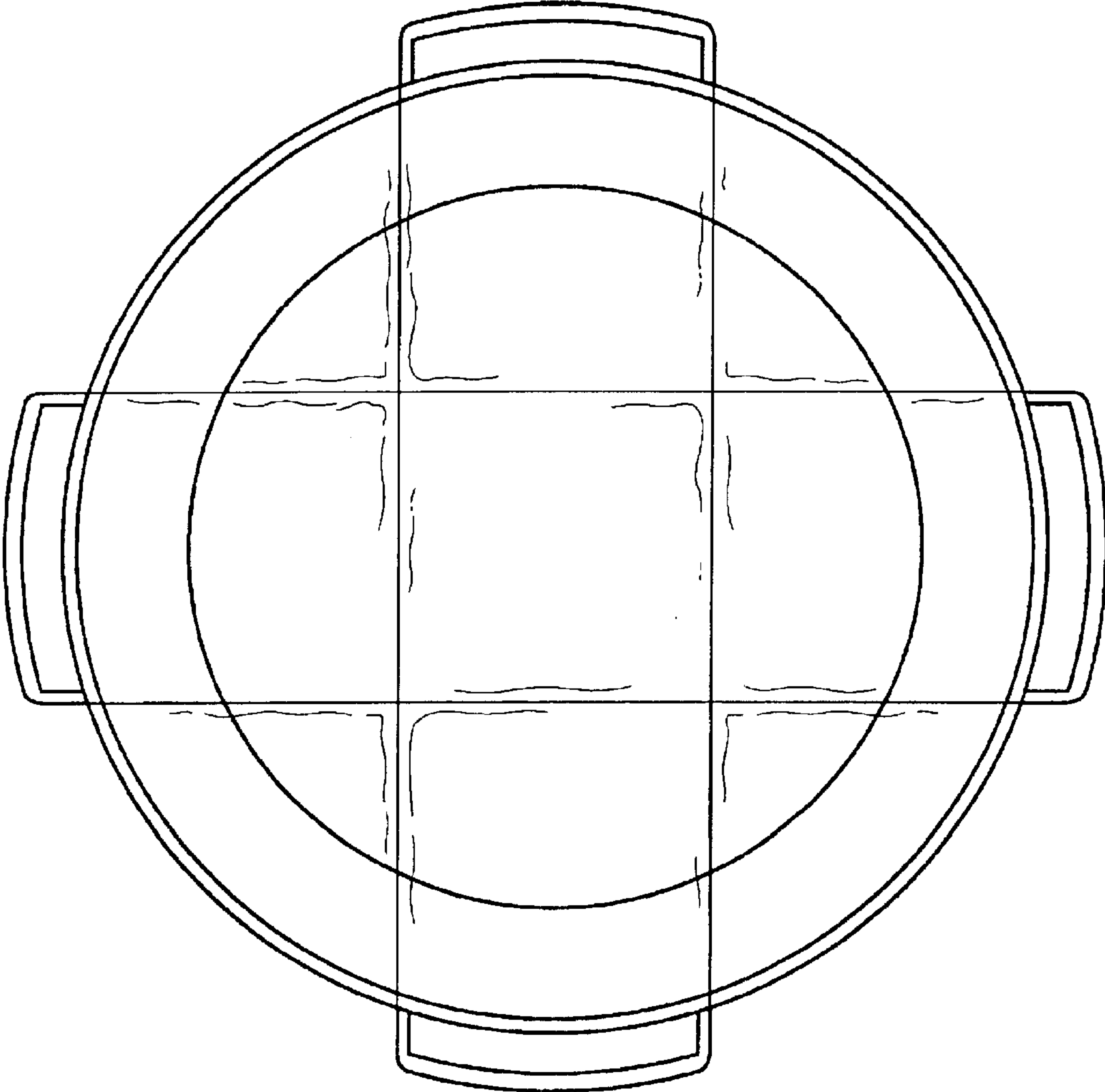
*Fig. 5*



*Fig. 6*

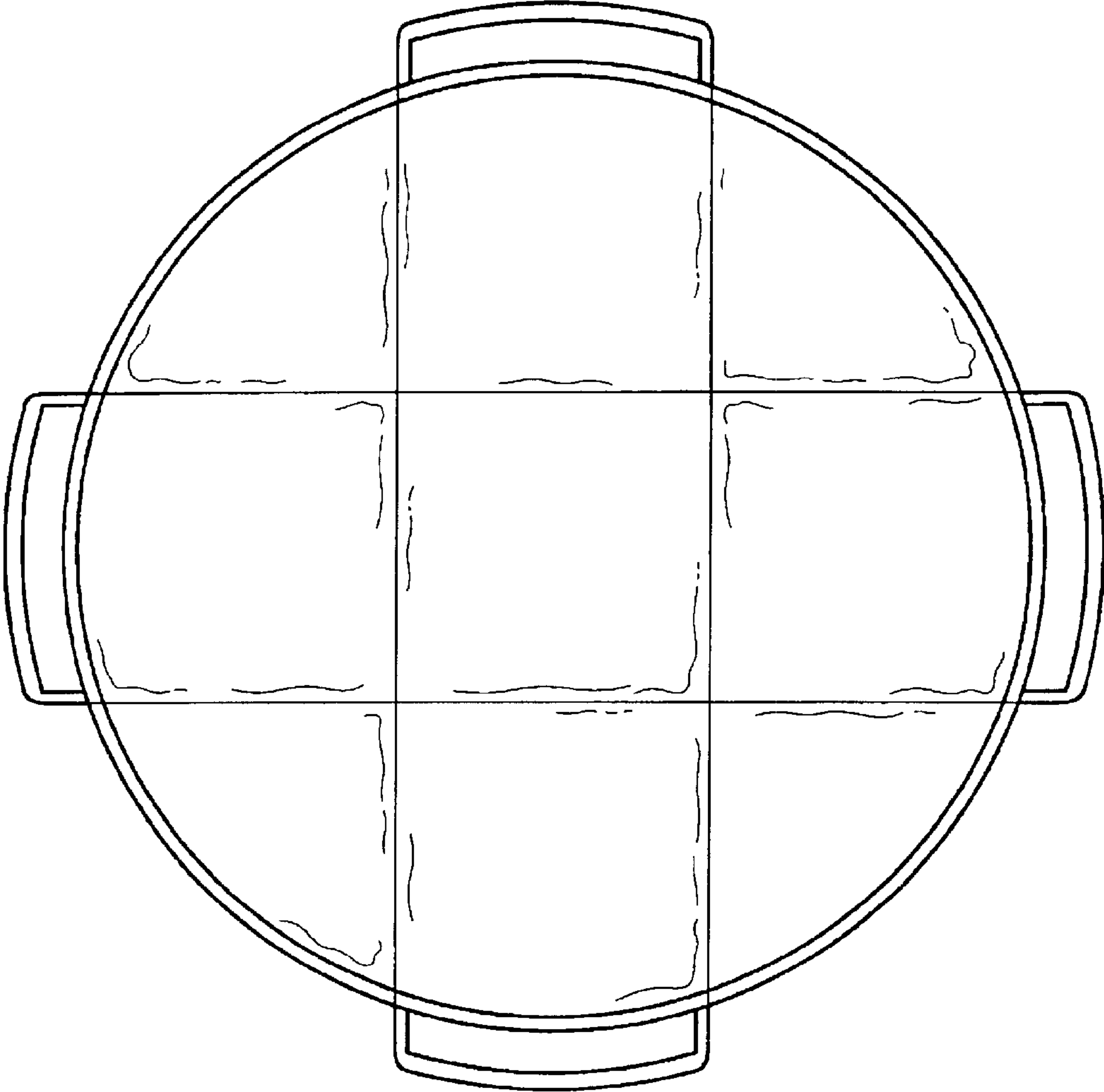


*Fig. 7*



*Fig. 8*





*Fig. 9*