

US00D508177S

(12) **United States Design Patent** (10) **Patent No.:** **US D508,177 S**  
**Stanton** (45) **Date of Patent:** **\*\* Aug. 9, 2005**

(54) **BRACKET FOOT**

(75) Inventor: **Shawn C. Stanton**, High Point, NC (US)

(73) Assignee: **Thomasville Furniture Industries, Inc.**, Thomasville, NC (US)

(\*\*) Term: **14 Years**

(21) Appl. No.: **29/194,037**

(22) Filed: **Nov. 18, 2003**

(51) **LOC (8) Cl.** ..... **06-06**

(52) **U.S. Cl.** ..... **D6/495**

(58) **Field of Search** ..... D6/432, 436-441, D6/445-448, 470; 312/114, 204, 224

(56) **References Cited**

**U.S. PATENT DOCUMENTS**

D96,029 S	*	6/1935	Fox	.....	D6/495
D420,833 S		2/2000	Cain	.....	D6/445
D447,887 S		9/2001	O'Hare et al.	.....	D6/446
D448,213 S		9/2001	O'Hare et al.	.....	D6/480
D469,625 S	*	2/2003	Stanton	.....	D6/439
D469,627 S		2/2003	Stanton	.....	D6/441

**OTHER PUBLICATIONS**

Foot on Master Chest, *Trafalgar Square Bedroom/Dining Room/Living Room* catalogue, Thomasville Furniture Industries, Inc., Thomasville, North Carolina, p. 7, 1998.

Foot on Lombardia Door Dresser, *Bellasera Living Room/Bedroom/Dinning Room* catalogue, Thomasville Furniture Industries, Inc., Thomasville, North Carolina, p. 18, 2001.

Foot on Portofino Double Pedestal Table, *Bellasera Living Room/Bedroom/Dining Room* catalogue, Thomasville Furniture Industries, Inc., Thomasville, North Carolina, p. 31, 2001.

Foot on Kent Park Drawer Dresser, *Kent Park Bedroom/Living Room/Dining Room/Home Entertainment* catalogue, Thomasville Furniture Industries, Inc., Thomasville, North Carolina, p. 4, 2002.

Foot on Blanket Chest, *American Oak Bedroom/Dining Room/Living Room/Walls* catalogue, Thomasville Furniture Industries, Inc., Thomasville, North Carolina, p. 3, 1995.

Foot on Bombé Night Stand, *Chateau Provence Bedroom Designer Series by Thomasville* catalogue, Thomasville Furniture Industries, Inc., Thomasville, North Carolina, p. 3, 2001.

Foot on Sleigh Bed, *Elysée Bedroom/Dining Room/Living Room* catalogue, Thomasville Furniture Industries, Inc., Thomasville, North Carolina, p. 3, 1995.

Foot on Oak Park Drawer Chest, *Ernest Hemingway: The Collection of a Lifetime: Windemere/Kenya/Key West/Ketchum/Havana/Paris* catalogue, Thomasville Furniture Industries, Inc., Thomasville, North Carolina, p. 10, 2002.

(Continued)

*Primary Examiner*—Cathron C. Brooks

(74) *Attorney, Agent, or Firm*—Womble Carlyle Sandridge & Rice, PLLC

(57) **CLAIM**

The ornamental design for a bracket foot, as shown and described.

**DESCRIPTION**

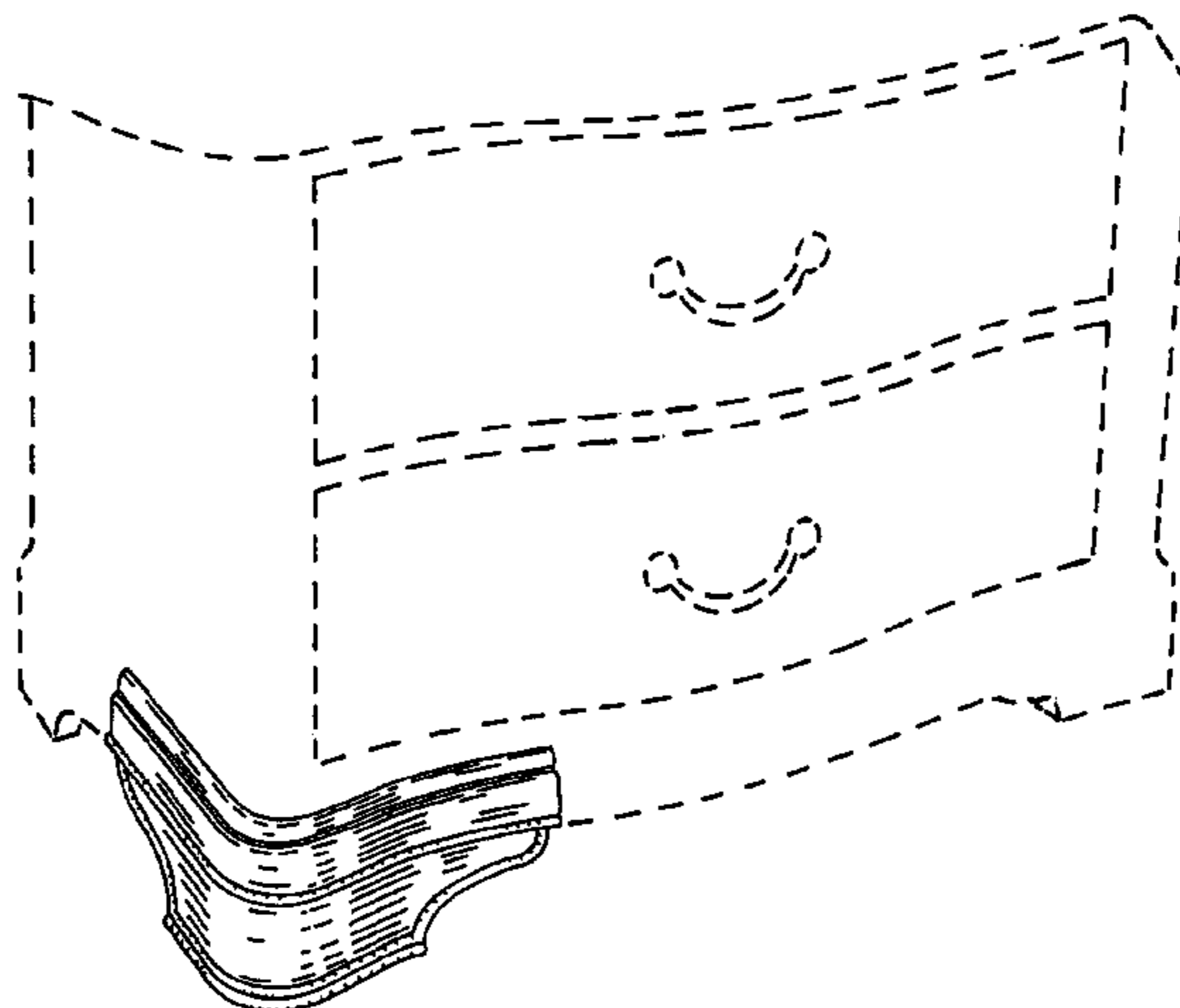
FIG. 1 is a perspective view of a bracket foot showing my new design;

FIG. 2 is a front or side elevational view, the opposite side being a mirror image thereof; and,

FIG. 3 is a front perspective view thereof and including broken lines indicating representative environmental elements.

The views of the bracket foot not shown form no part of the claimed design. The broken lines depicting a chest in FIG. 3 represent environmental elements only and form no part of the claimed design.

**1 Claim, 2 Drawing Sheets**



OTHER PUBLICATIONS

Foot on Armoire, *Martinique Bedroom/Dining Room/Living Room/Home Entertainment* catalogue, Thomasville Furniture Industries, Inc., Thomasville, North Carolina, p. 4, 2001.

Foot on Night Stand, *Palais Jardin* catalogue, Thomasville Furniture Industries, Inc., Thomasville, North Carolina, p. 4, 2002.

Foot on River Bend Door Dresser, *River Roads Dining Room/Bedroom/Living Room/Home Entertainment/Home Office* catalogue, Thomasville Furniture Industries, Inc., Thomasville, North Carolina, p. 11, 2001.

Foot on Chest, *Impressions by Thomasville: Wyndham Hill Bedroom* catalogue, Thomasville Furniture Industries, Inc., Thomasville, North Carolina, p. 2, date unknown, believed to be available as of filing date.

Foot on Collector's Wine Rack, *Bob Timberlake* catalogue, p. 40, early fall 2003.

Foot on chest, *Aston Court*, Henredon Furniture Industries, Inc., Morganton, North Carolina, date unknown, believed to be available as of filing date.

Foot on Chest, *The American Masterpiece Collection: A Hickory White Collection* catalogue, p. 30, date unknown, believed to be available as of filing date.

*The Book of Carved Wood Decoration*, Fourth Edition, Klise Manufacturing Company, p. 111, 1987.

Foot on Triple Drawer Dresser, *Bob Mackie Home* catalogue, p. 30, date unknown, available as of filing date.

J. Michael Flanigan, *American Furniture from the Kaufman Collection*, National Gallery of Art, Washington, DC, available as of filing date.

\* cited by examiner

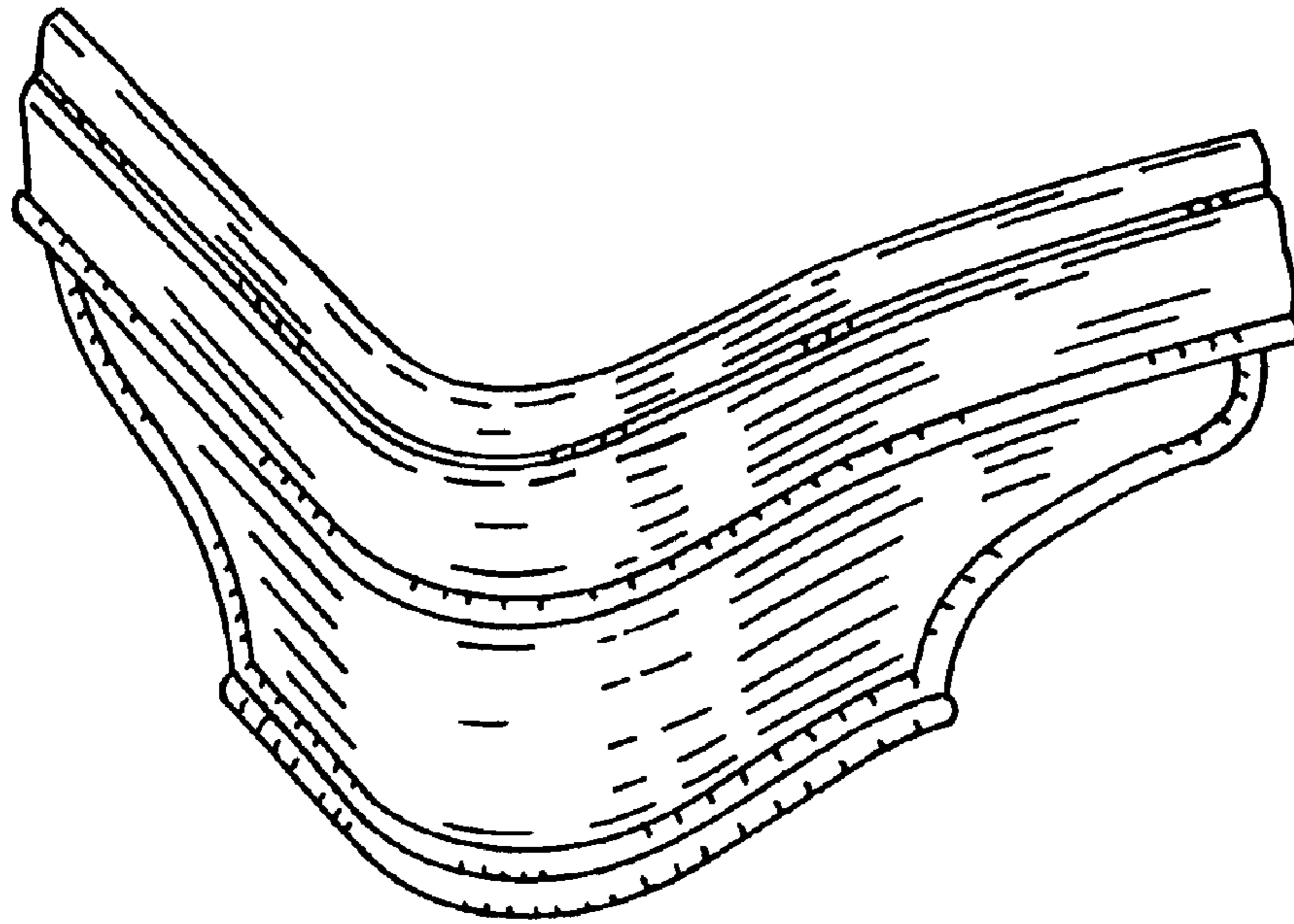


FIG. 1

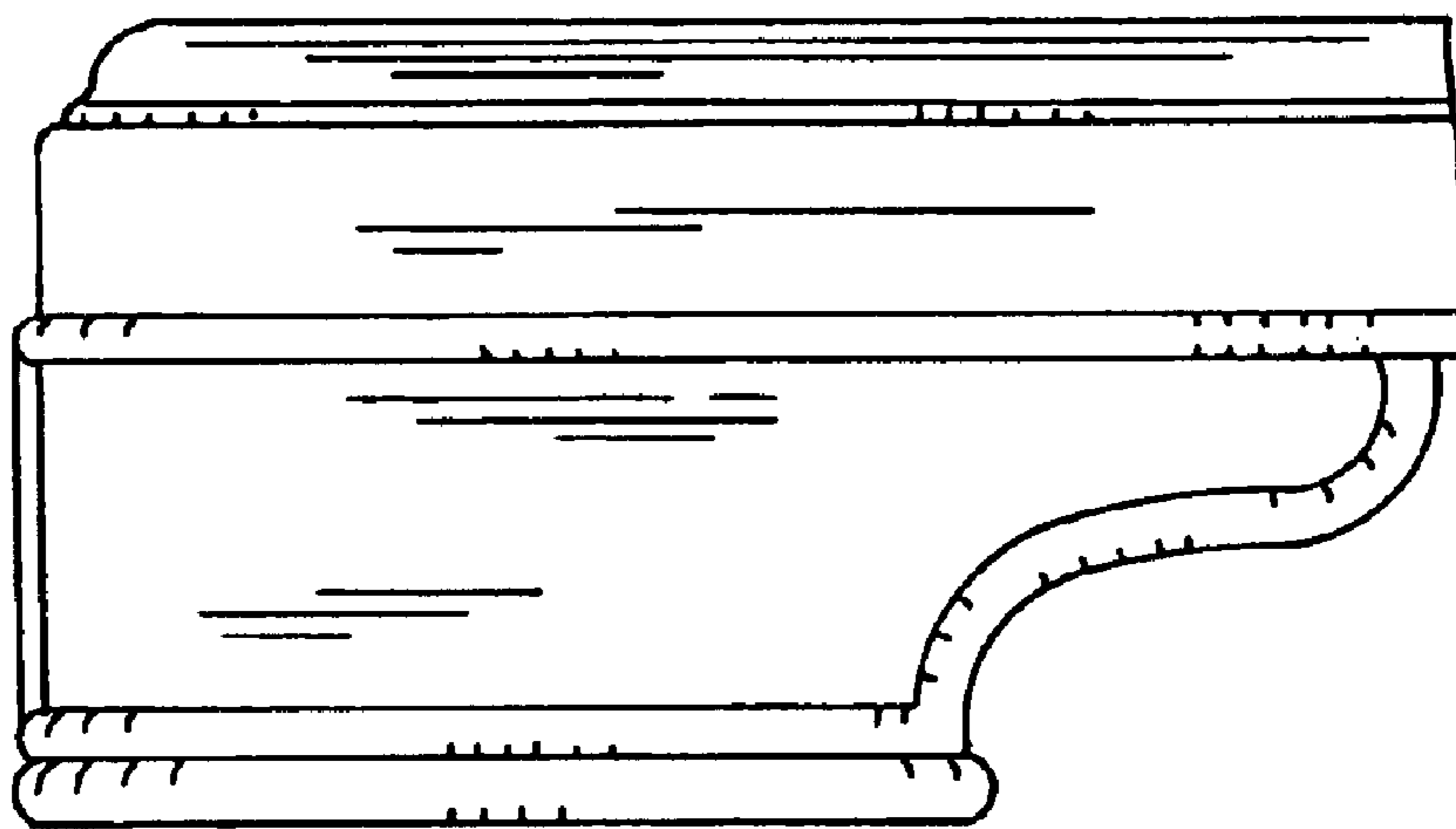


FIG. 2

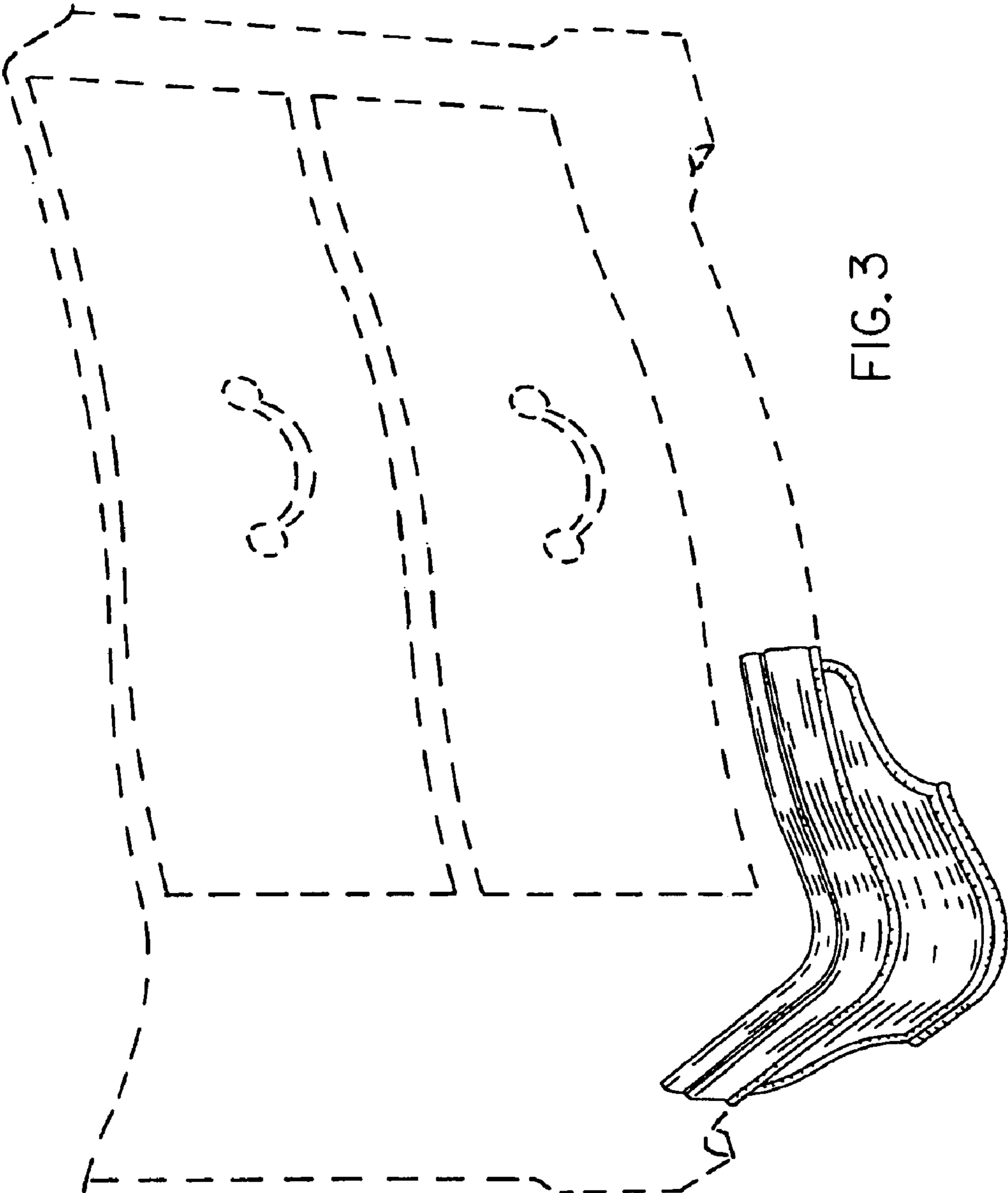


FIG. 3