

US00D508176S

(12) **United States Design Patent**  
**Schulman**

(10) **Patent No.:** **US D508,176 S**

(45) **Date of Patent:** **\*\* Aug. 9, 2005**

- (54) **FURNITURE CONSTRUCTION ELEMENT**
- (76) **Inventor:** **Carl H. Schulman**, 3362 Caminito  
Luna Nueva, Del Mar, CA (US) 92014
- (\*\*) **Term:** **14 Years**
- (21) **Appl. No.:** **29/202,540**
- (22) **Filed:** **Apr. 1, 2004**
- (51) **LOC (8) Cl.** ..... **06-06**
- (52) **U.S. Cl.** ..... **D6/491; D6/509; D6/510**
- (58) **Field of Search** ..... **D6/491, 509-511,**  
**D6/443, 422, 425; 312/194, 195, 208.1,**  
**208.3, 204, 29, 249.1, 223.2, 223.3**

- 6,206,495 B1 3/2001 Peterson
- D441,567 S 5/2001 Nielsen
- D445,597 S 7/2001 Stone et al.
- D446,188 S 8/2001 Gershfeld
- D449,819 S 10/2001 Gershfeld
- 6,340,212 B1 1/2002 Beiss et al.
- D454,541 S 3/2002 Gershfeld
- D455,123 S 4/2002 Gershfeld
- D455,716 S 4/2002 Gershfeld
- D456,357 S 4/2002 Gershfeld
- D457,137 S 5/2002 Gershfeld
- 6,402,271 B1 6/2002 Kelley et al.

(Continued)

*Primary Examiner*—Janice E. Seeger  
(74) *Attorney, Agent, or Firm*—Alston & Bird LLP

(56) **References Cited**

**U.S. PATENT DOCUMENTS**

886,017 A	4/1908	Schram et al.	
886,192 A	4/1908	DeCanio	
1,990,980 A	2/1935	Fakkema	
D118,637 S	* 1/1940	Dyches .....	D6/425
D133,524 S	* 8/1942	Bargen .....	D6/425
2,785,036 A	* 3/1957	Elsden-King et al. ....	312/327
3,292,986 A	12/1966	Fenwick	
3,589,524 A	6/1971	Schramm	
3,722,975 A	3/1973	Taylor	
3,954,315 A	5/1976	Sanden	
4,615,095 A	10/1986	Bessinger et al.	
4,669,789 A	6/1987	Pemberton	
4,695,104 A	9/1987	Lederman	
4,836,623 A	6/1989	Holland	
4,892,367 A	1/1990	Jantzen	
5,119,942 A	6/1992	McCullars	
5,231,552 A	7/1993	Schneider et al.	
D385,431 S	* 10/1997	Lee .....	D6/436
5,678,905 A	10/1997	Kelley	
5,741,053 A	4/1998	Nielsen	
5,944,396 A	8/1999	Stephan	
6,022,087 A	2/2000	Gilbert	
6,076,906 A	6/2000	Royal	
6,082,844 A	7/2000	Hausler et al.	
6,102,476 A	8/2000	May et al.	
6,164,462 A	12/2000	Mumford	
6,170,926 B1	1/2001	Roberts et al.	

(57) **CLAIM**

The ornamental design for a furniture construction element, as shown and described.

**DESCRIPTION**

FIG. 1 is a perspective view of a furniture construction element, showing my new design, the broken lines are for environmental purposes only and form no part of the claimed design.

FIG. 2 is a plan view of the top side of the furniture construction element of FIG. 1;

FIG. 3 is an elevational view of the left side of the furniture construction element of FIG. 1;

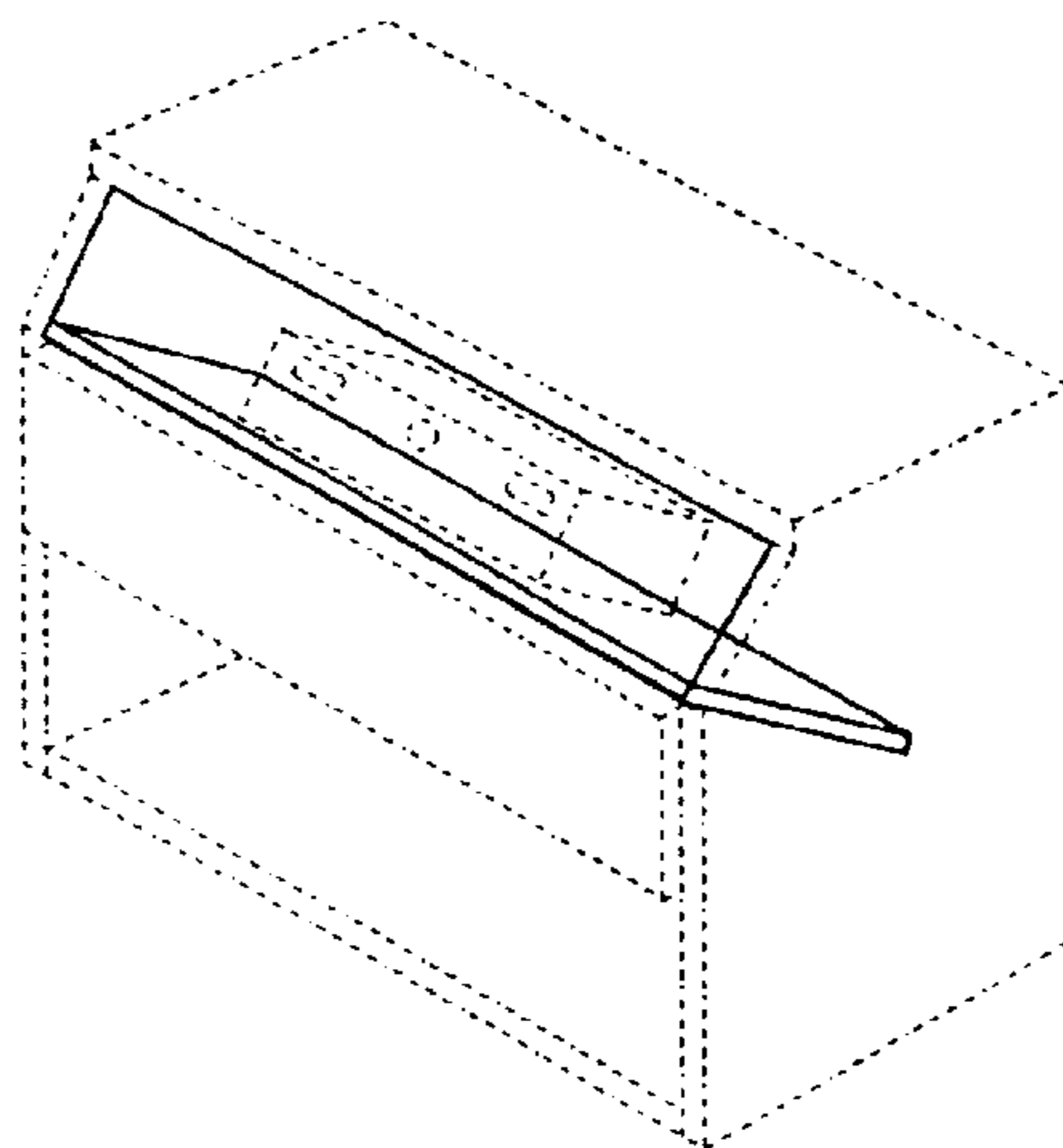
FIG. 4 is an elevational view of the front side of the furniture construction element of FIG. 1;

FIG. 5 is an elevational view of the rear side of the furniture construction element of FIG. 1;

FIG. 6 is a sectional view taken on line 6—6 of FIG. 4, and is an elevational view of the right side of the furniture construction element of FIG. 1, illustrating an electronic component in broken lines supported within the furniture construction element; and,

FIG. 7 is a plan view of the bottom side of the furniture construction element of FIG. 1.

**1 Claim, 2 Drawing Sheets**



# US D508,176 S

Page 2

---

## U.S. PATENT DOCUMENTS

6,446,564 B1	9/2002	Anderson	6,580,602 B2	6/2003	Zodnik	
6,480,352 B1	11/2002	Okada et al.	D478,225 S	8/2003	Wang	
D466,868 S	12/2002	Gershfeld	6,612,665 B2	9/2003	Nielsen	
6,508,526 B2	1/2003	Reppas et al.	6,619,765 B2	9/2003	Visser et al.	
D472,405 S	4/2003	Tzeng	6,736,469 B2 *	5/2004	Long .....	312/223.3
6,553,919 B1	4/2003	Nevin				

\* cited by examiner

Fig.1

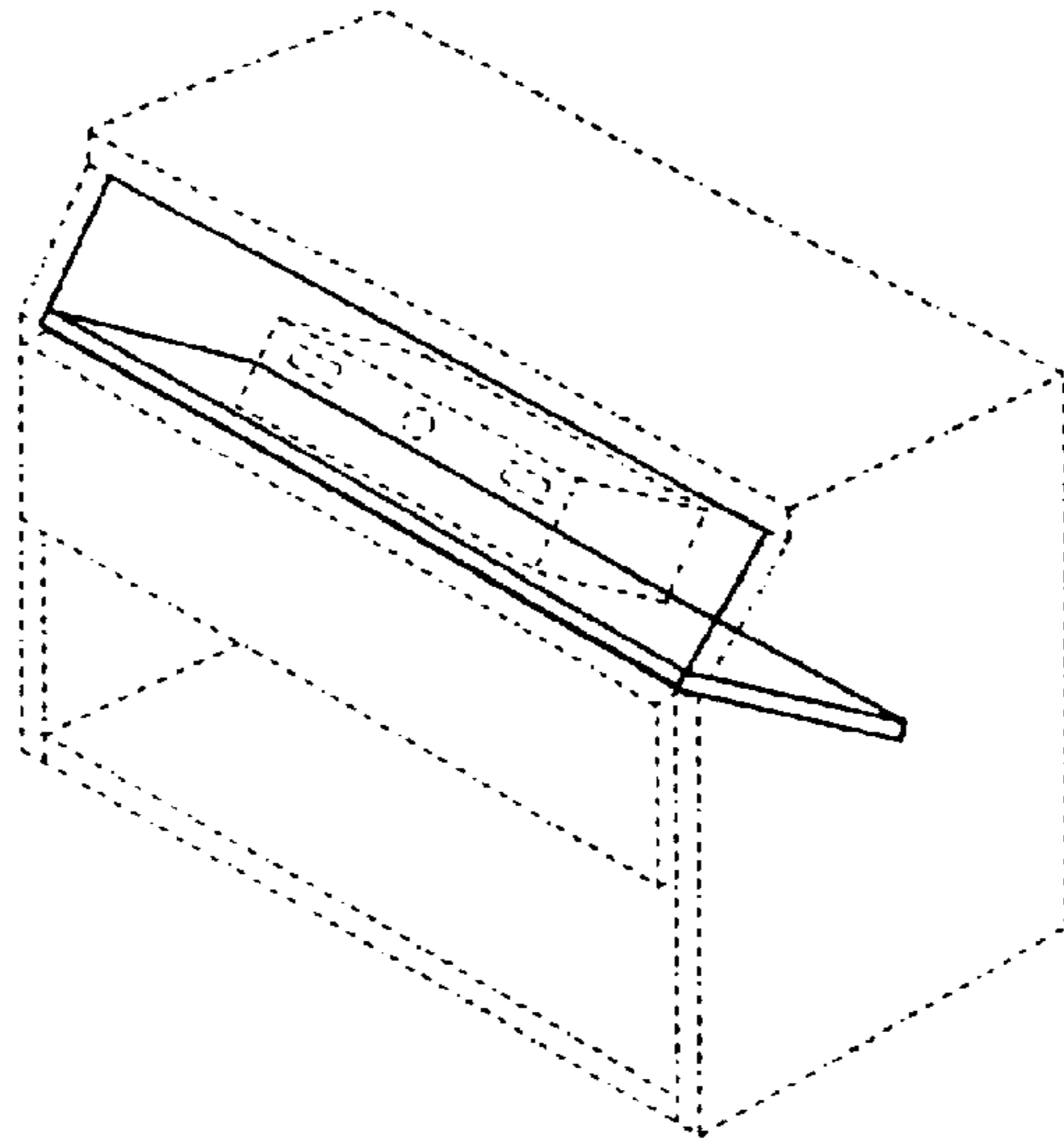


Fig.2

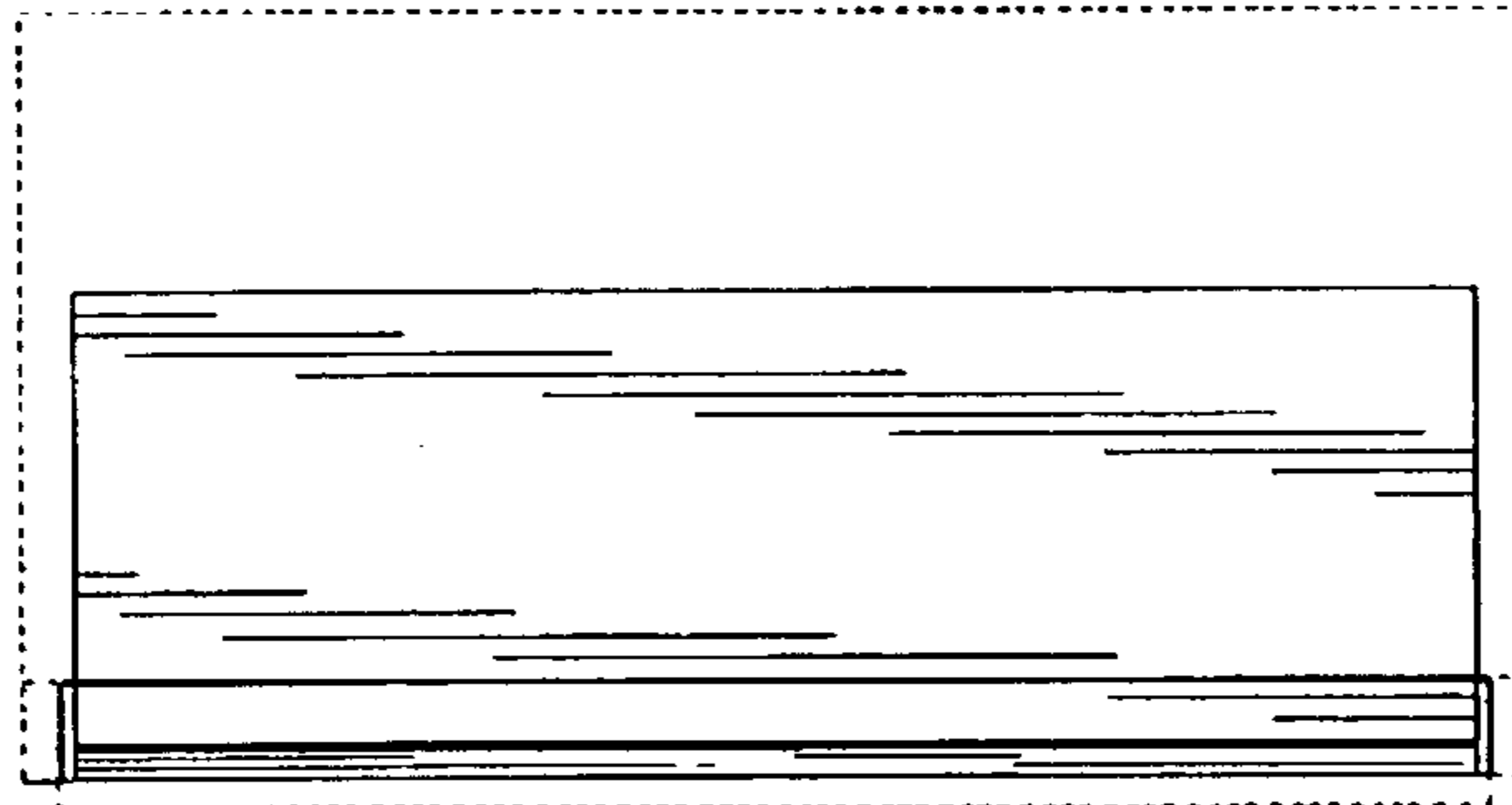


Fig.3

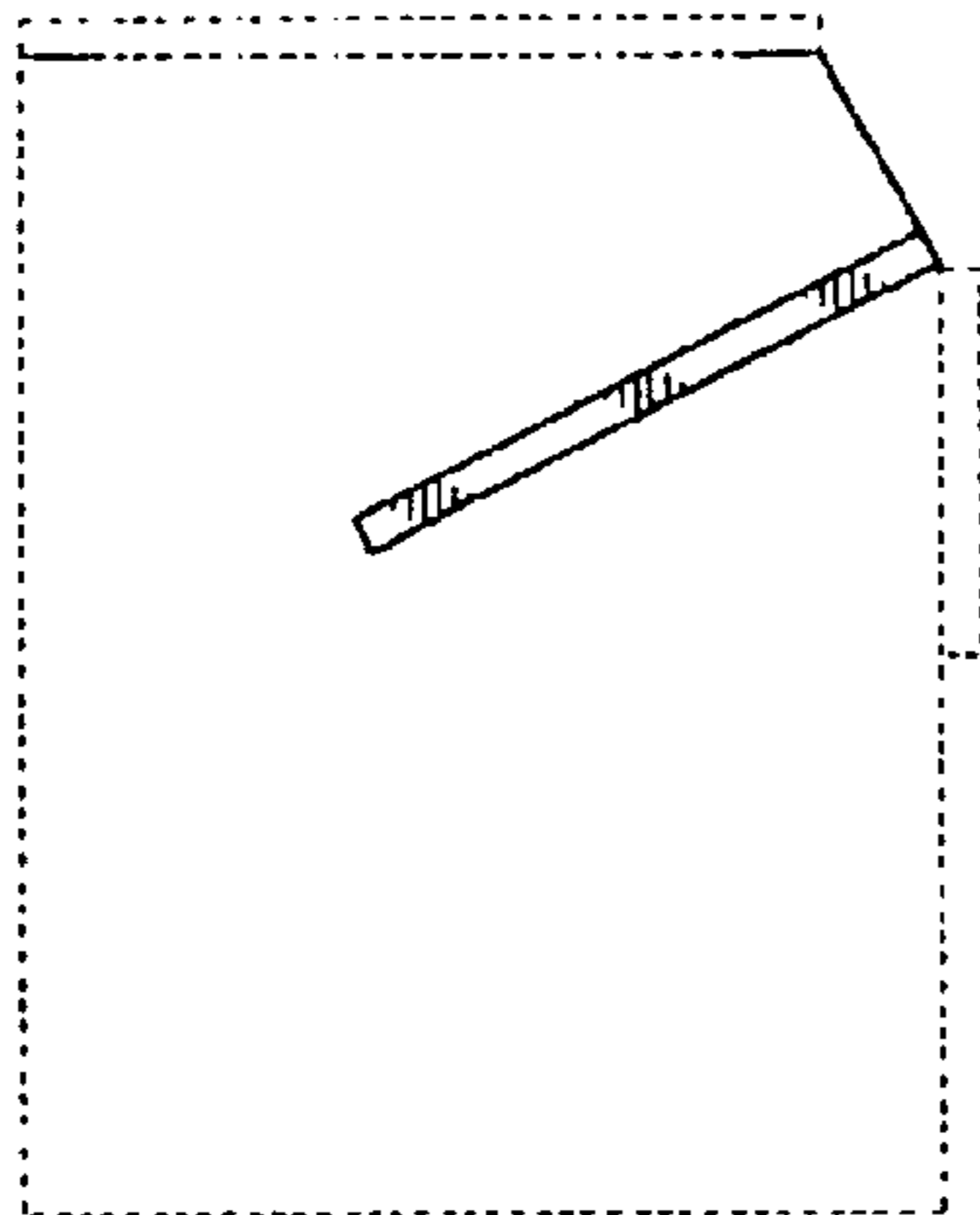


Fig.4

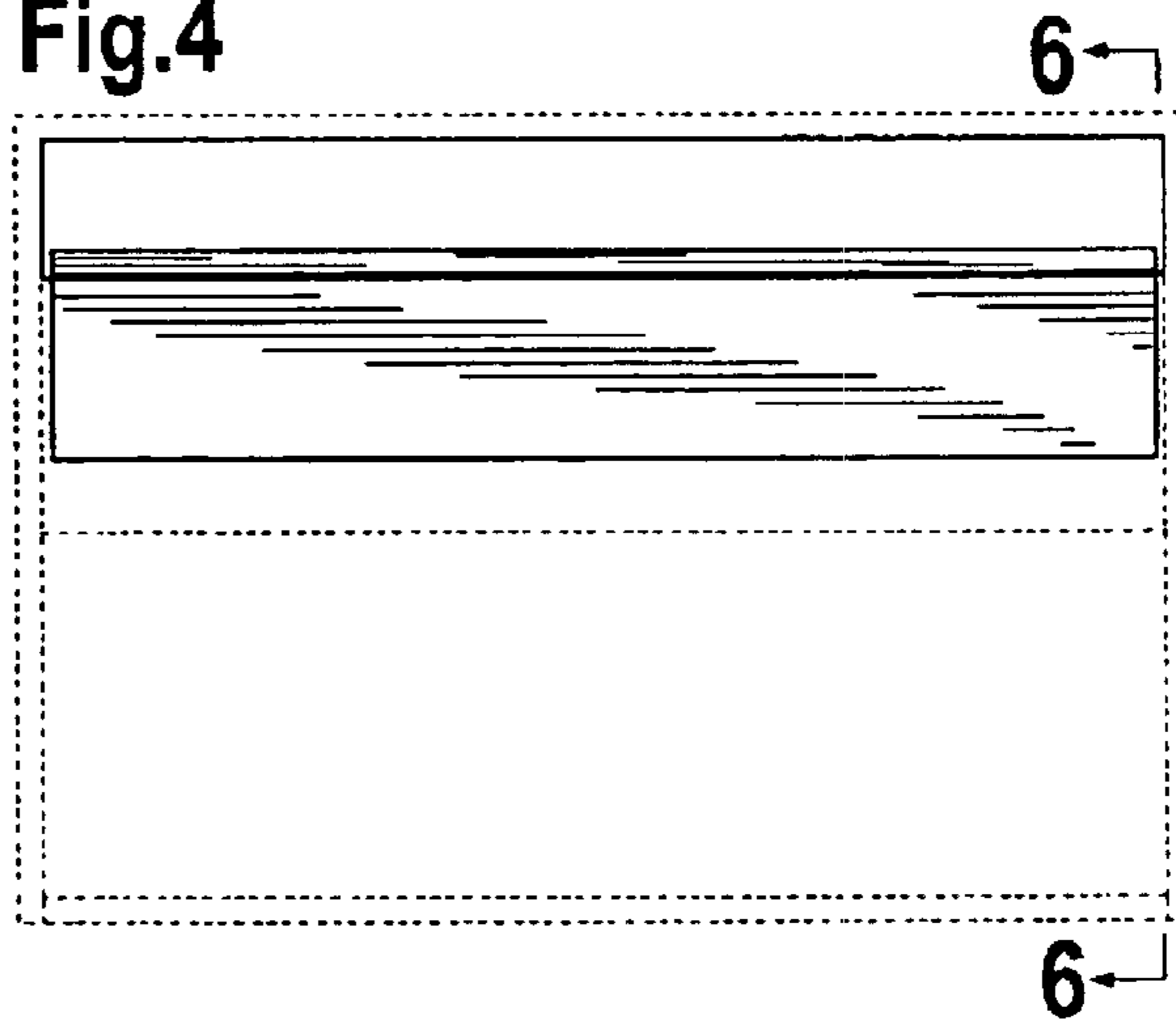


Fig.5

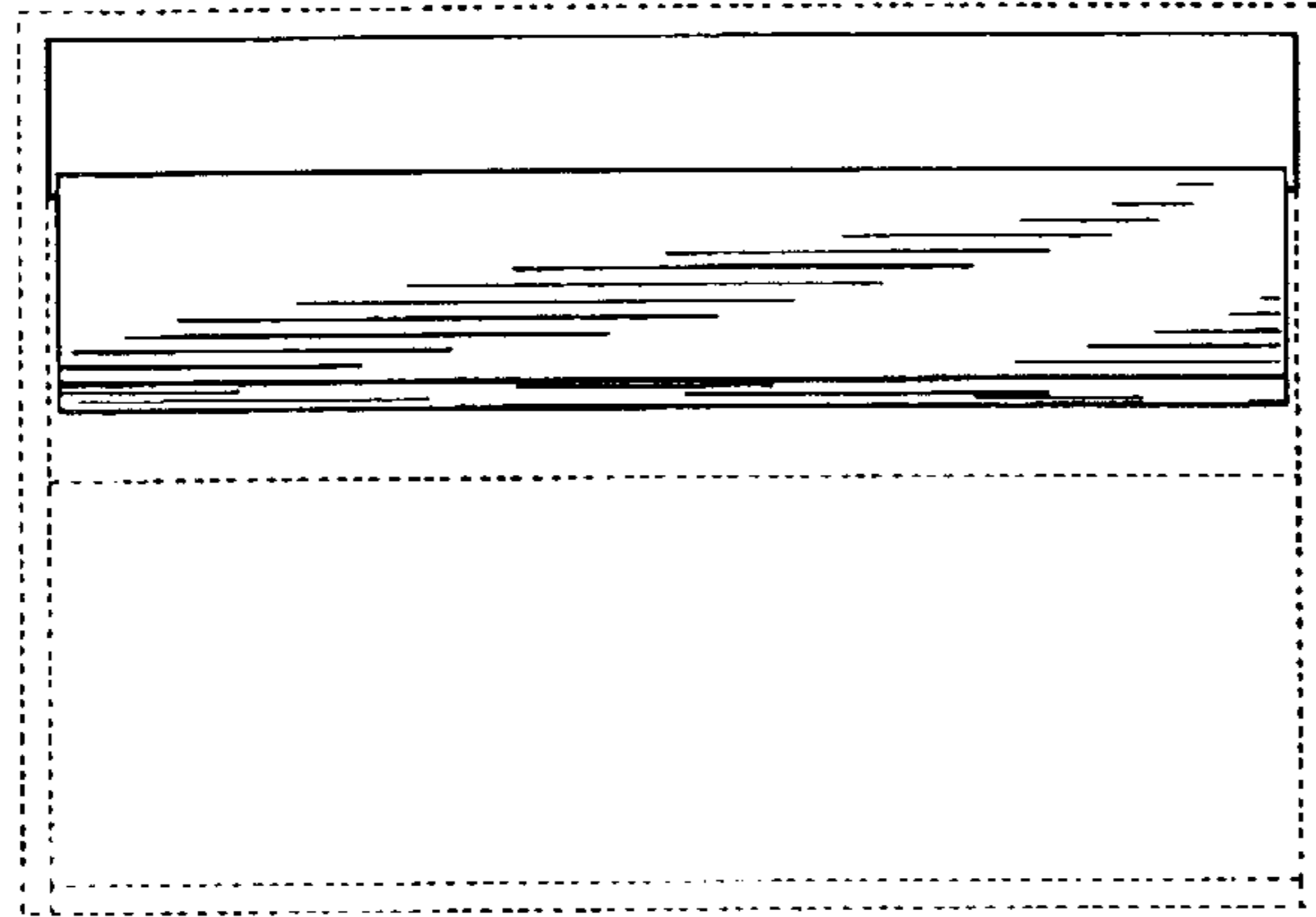


Fig.6

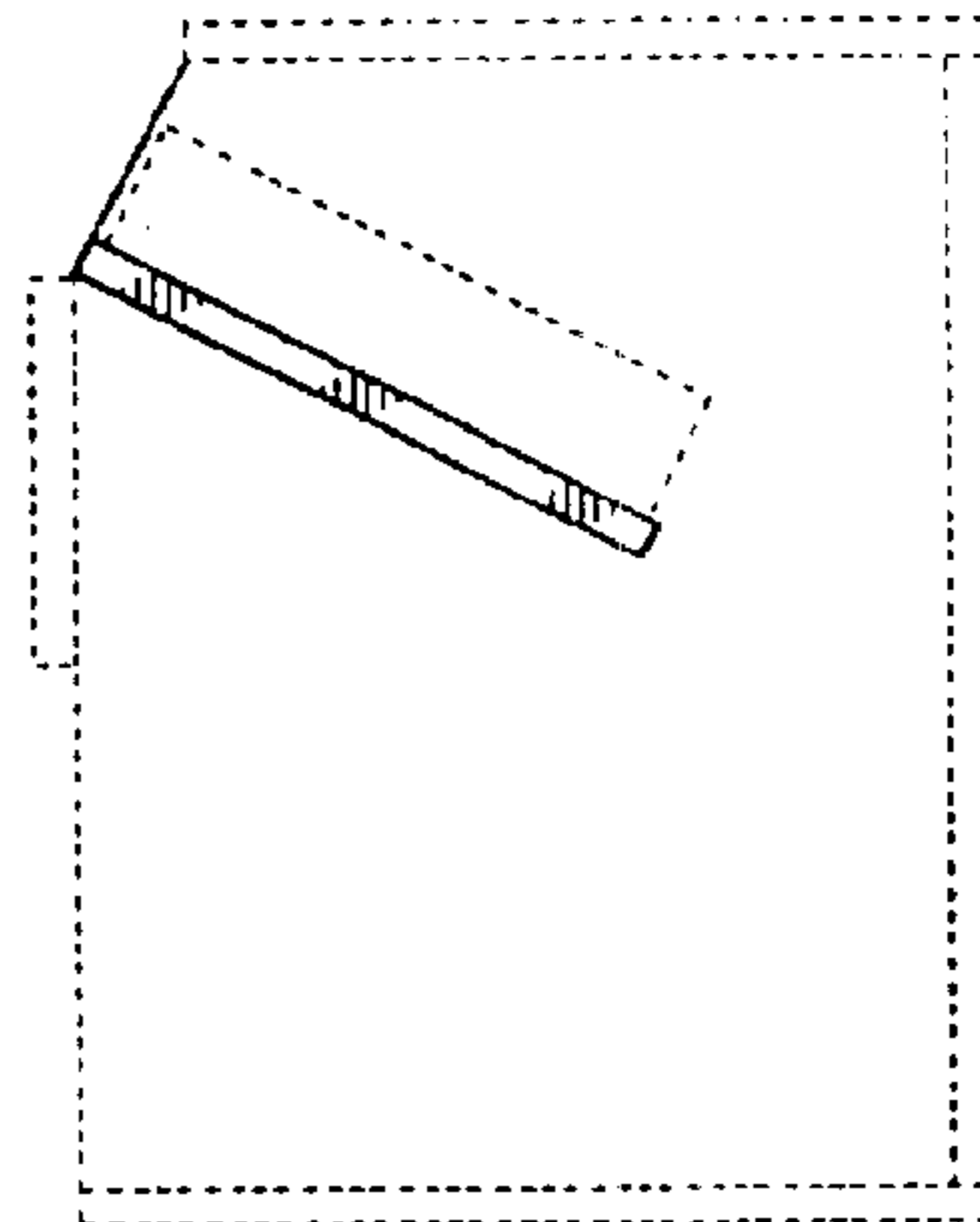


Fig.7

