

US00D508175S

(12) **United States Design Patent** (10) **Patent No.:** **US D508,175 S**  
**Werschmidt** (45) **Date of Patent:** **\*\* Aug. 9, 2005**

(54) **ARTICULATING CONNECTOR** 4,166,297 A 9/1979 Saleeby  
 4,226,467 A \* 10/1980 Boudreau ..... 297/5  
 (75) Inventor: **Gary Werschmidt**, Yorba Linda, CA 4,266,306 A 5/1981 Lee  
 (US) 4,295,683 A 10/1981 Dubbink et al.  
 (73) Assignee: **Columbia Medical Manufacturing,** 4,354,710 A 10/1982 Rauschenberger  
**LLC**, Marina del Rey, CA (US) 4,391,006 A 7/1983 Smith  
 (\*\*) Term: **14 Years** 4,472,844 A 9/1984 Mace  
 4,544,178 A 10/1985 Al-Sheikh et al.  
 4,574,409 A 3/1986 McAffrey  
 4,596,241 A 6/1986 Neudorfer  
 (21) Appl. No.: **29/189,437** 4,842,335 A \* 6/1989 Wunderlich ..... 297/344.21  
 4,894,877 A 1/1990 Marsh  
 (22) Filed: **Sep. 5, 2003** 4,921,301 A \* 5/1990 Haynes ..... 297/118  
 5,097,542 A 3/1992 Roesler  
 (51) **LOC (8) Cl.** ..... **06-01** 5,103,509 A 4/1992 Richards  
 (52) **U.S. Cl.** ..... **D6/491** D330,461 S 10/1992 Stevens  
 (58) **Field of Search** ..... D6/334-336, 371-374, 5,157,797 A 10/1992 Forwick  
 D6/379-380, 500-502; 297/368, 370, 371, 5,185,892 A 2/1993 Mitchell  
 378, 12; 403/13, 14, 23, 25, 38, 46, 52-55, 5,226,183 A 7/1993 Clark  
 57, 81-84, 120

(Continued)

(56) **References Cited**

**U.S. PATENT DOCUMENTS**

131,419 A 9/1872 Black  
 235,494 A \* 12/1880 Von Juergensonn ..... 267/260  
 364,053 A 5/1887 Skau  
 469,569 A 2/1892 Hogan  
 1,188,534 A 6/1916 Corwin  
 1,190,523 A 7/1916 Dodd  
 1,386,612 A 9/1921 Farah  
 1,591,342 A \* 7/1926 Stone ..... 403/23  
 2,040,942 A 5/1936 Katenkamp  
 2,299,067 A \* 10/1942 Anton ..... 403/120  
 2,911,245 A 11/1959 Kurz  
 3,123,398 A 3/1964 Murcott  
 3,290,090 A 12/1966 Ford  
 3,352,580 A 11/1967 Kurz et al.  
 3,832,740 A 9/1974 McClarrin  
 3,835,483 A 9/1974 Emery  
 3,840,268 A 10/1974 Johndrow et al.  
 3,918,822 A 11/1975 Rauschenberger  
 3,994,030 A 11/1976 Cassell et al.  
 4,058,341 A 11/1977 Prins  
 4,140,065 A 2/1979 Chacon  
 4,150,445 A 4/1979 Bailey

*Primary Examiner*—Joel A. Sincavage  
*Assistant Examiner*—Vy Nguyen  
 (74) *Attorney, Agent, or Firm*—Cochran Freund & Young LLC

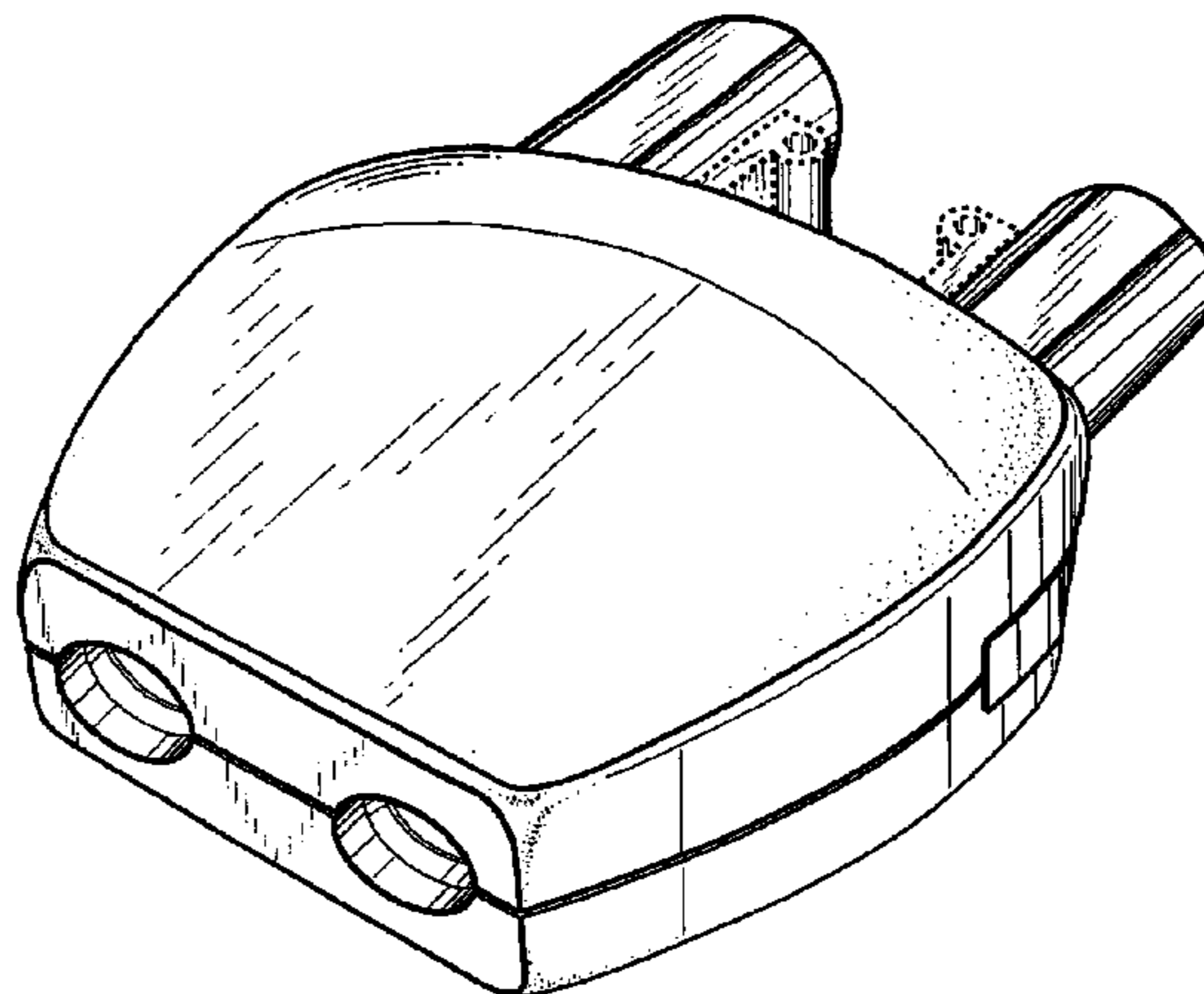
(57) **CLAIM**

The ornamental design for an articulating connector, as shown and described.

**DESCRIPTION**

FIG. 1 is an isometric view of an articulating connector showing my new design.  
 FIG. 2 is a front plan view thereof.  
 FIG. 3 is a right side plan view thereof.  
 FIG. 4 is a left side plan view thereof.  
 FIG. 5 is a top plan view thereof.  
 FIG. 6 is a bottom plan view thereof; and,  
 FIG. 7 is a rear plan view thereof.  
 The broken line showing of additional parts and accessories is for illustrative purposes only and forms no part of the claimed design.

**1 Claim, 7 Drawing Sheets**



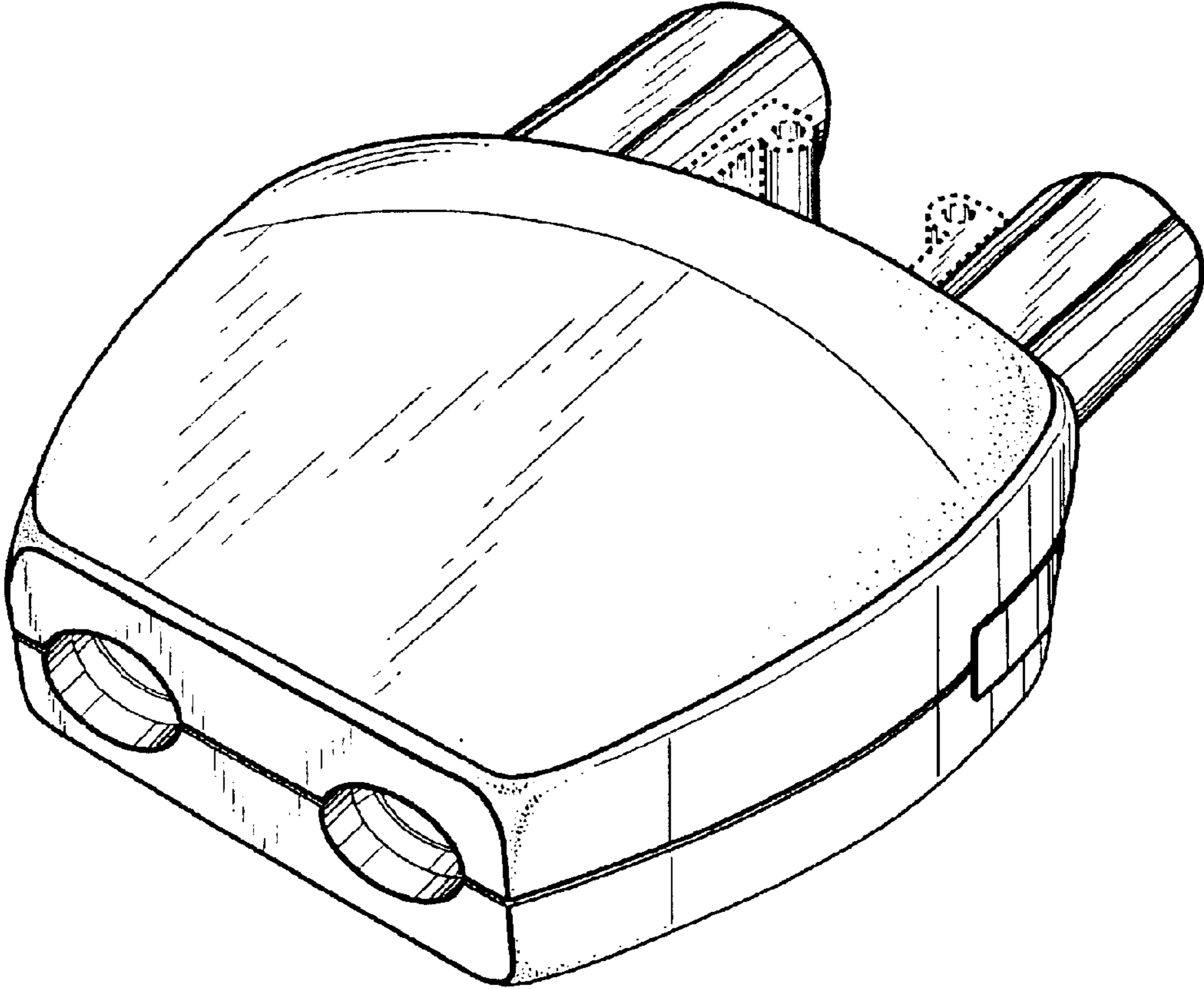
# US D508,175 S

Page 2

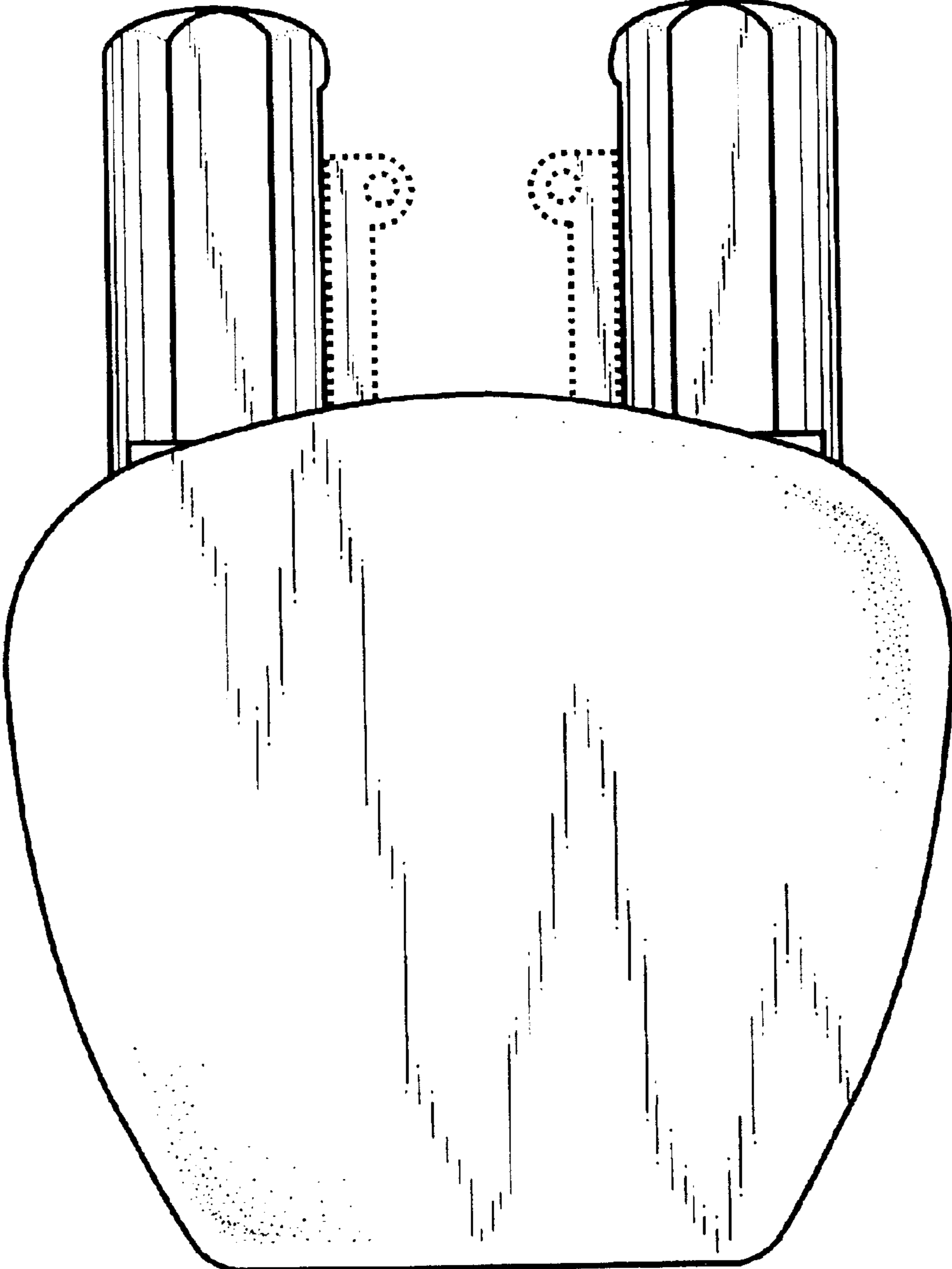
## U.S. PATENT DOCUMENTS

5,246,265	A	*	9/1993	Nagan et al. ....	297/54
D346,280	S	*	4/1994	Metter .....	D6/368
5,335,377	A		8/1994	Masayada et al.	
5,341,525	A		8/1994	Tillman et al.	
5,377,366	A		1/1995	Boyd et al.	
5,393,119	A		2/1995	Mukal	
D355,985	S		3/1995	Karten et al.	
5,412,817	A		5/1995	Smith	
D360,022	S		7/1995	Smith	
5,467,486	A		11/1995	Guenther	
5,498,054	A		3/1996	Tomlinson	
5,517,704	A		5/1996	Dagostino	
5,520,435	A		5/1996	Fujimoto et al.	
5,535,458	A		7/1996	Siverly	
5,682,626	A		11/1997	Banks, Jr. et al.	
D389,099	S		1/1998	McKay	
5,715,545	A		2/1998	Forwick	
5,822,809	A		10/1998	Gallo	
5,937,454	A		8/1999	Drew	
5,953,769	A		9/1999	Williams	
5,988,755	A		11/1999	Fastelli et al.	
5,996,139	A		12/1999	Gesse	
6,012,769	A		1/2000	Hsueh et al.	
6,088,847	A		7/2000	Burrow	
6,094,756	A		8/2000	Carter	
6,095,713	A	*	8/2000	Doyle et al. ....	403/97
6,122,776	A		9/2000	Cheng	
6,158,809	A		12/2000	Gobbers et al.	
6,164,722	A		12/2000	Mabey	
6,199,226	B1		3/2001	Steadman	
D439,869	S		4/2001	Kjell et al.	
6,279,178	B1		8/2001	Hill	
D451,689	S	*	12/2001	Chen et al. ....	D6/339
6,334,225	B1		1/2002	Brinkmann	
6,351,860	B1		3/2002	Schaffer	
6,381,772	B1		5/2002	Dawson	
6,397,409	B1		6/2002	Sherlock et al.	
6,408,456	B1		6/2002	Fike et al.	
D478,428	S	*	8/2003	Leckey .....	D6/368
6,758,623	B2	*	7/2004	Bushey .....	403/57
6,793,380	B2	*	9/2004	Kupfer .....	362/371

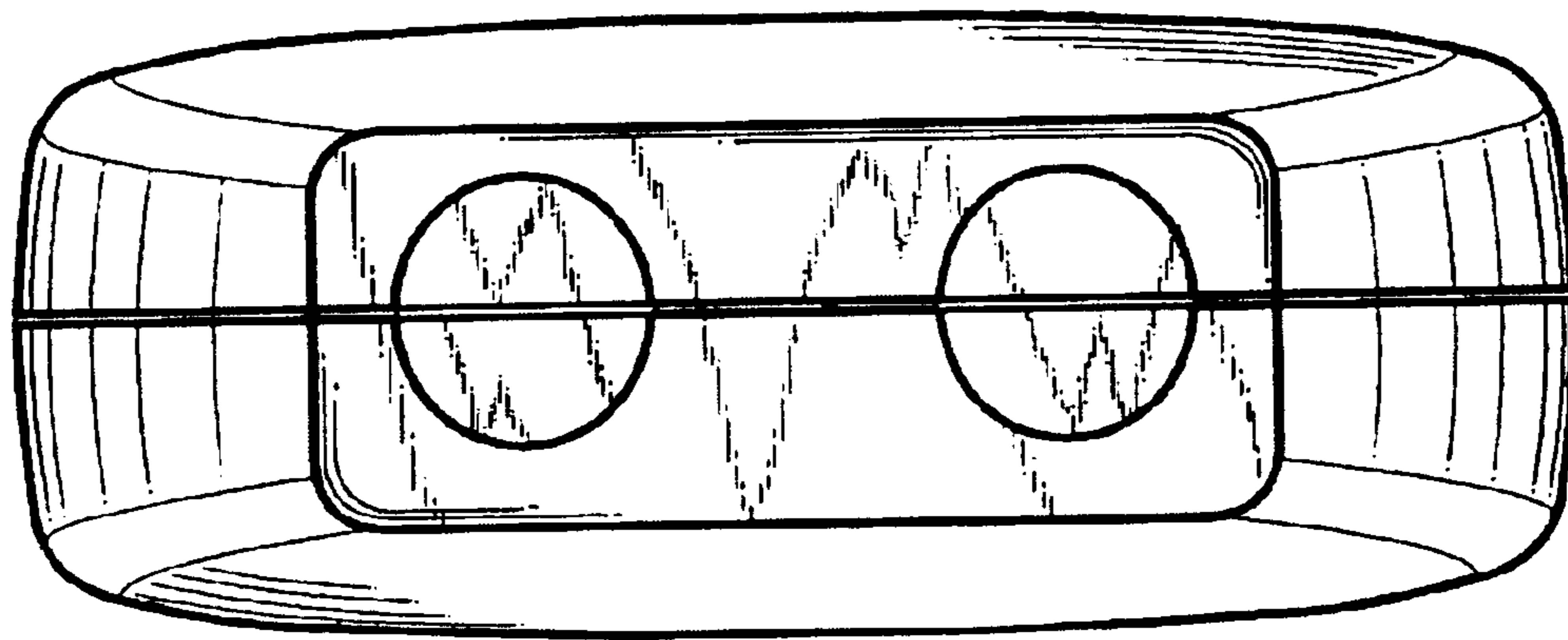
\* cited by examiner



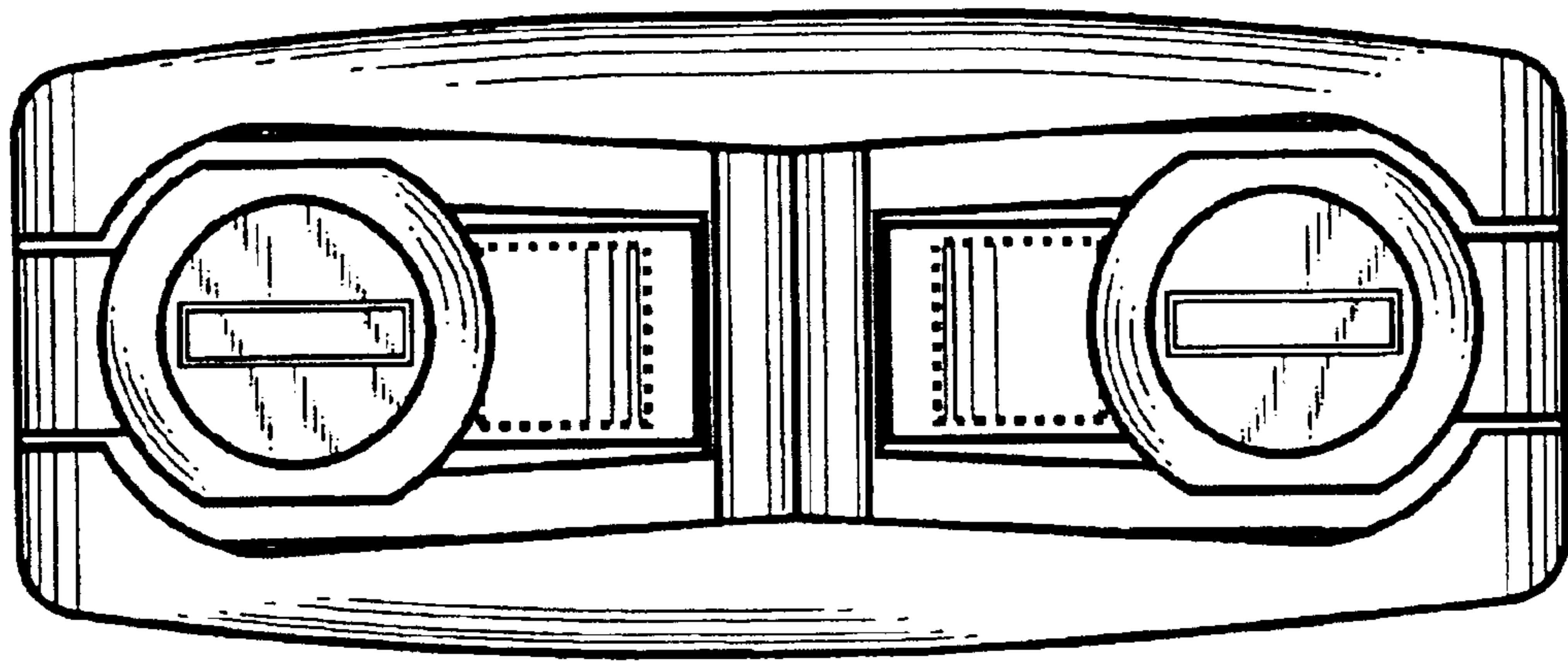
**FIGURE 1**



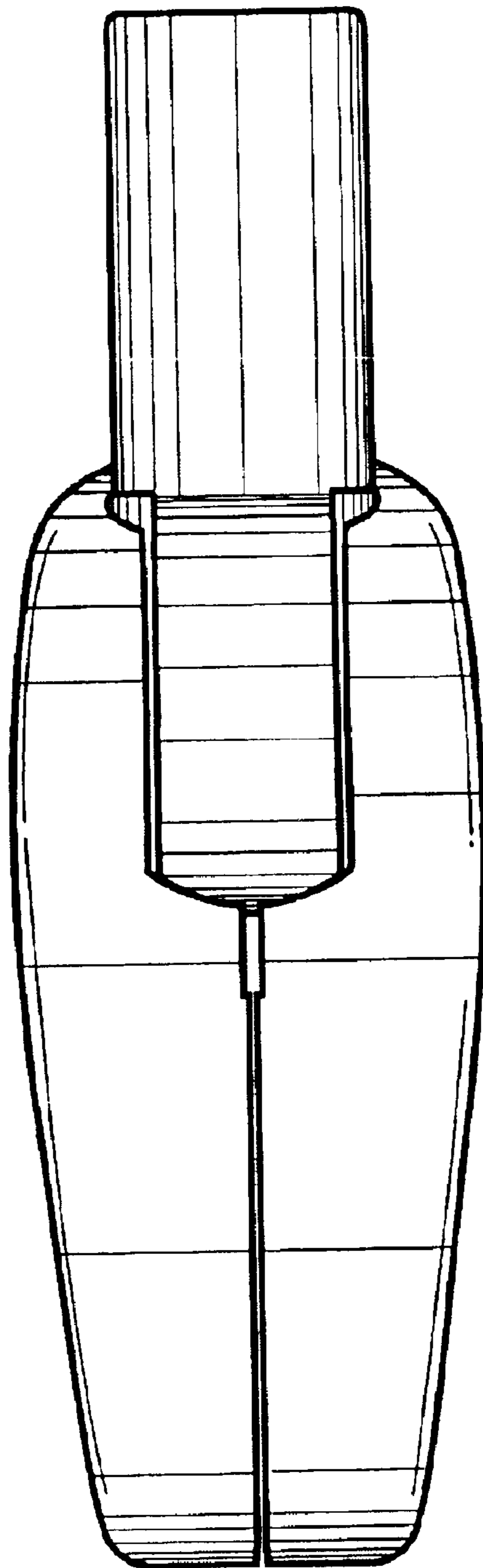
**FIGURE 2**



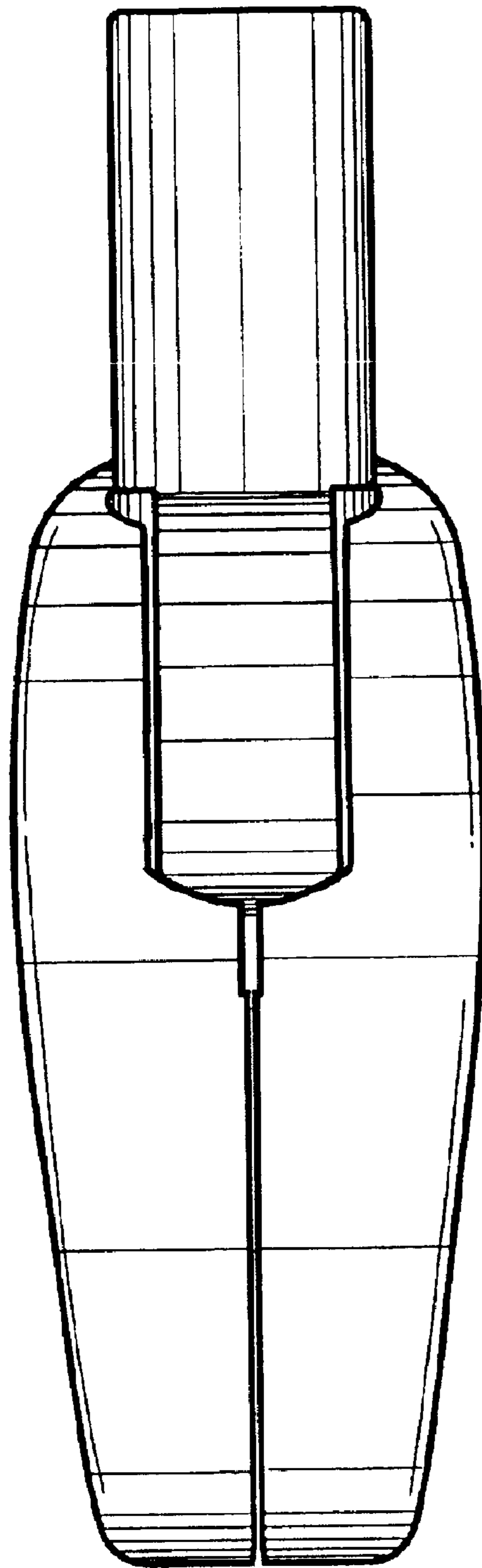
**FIGURE 3**



**FIGURE 4**

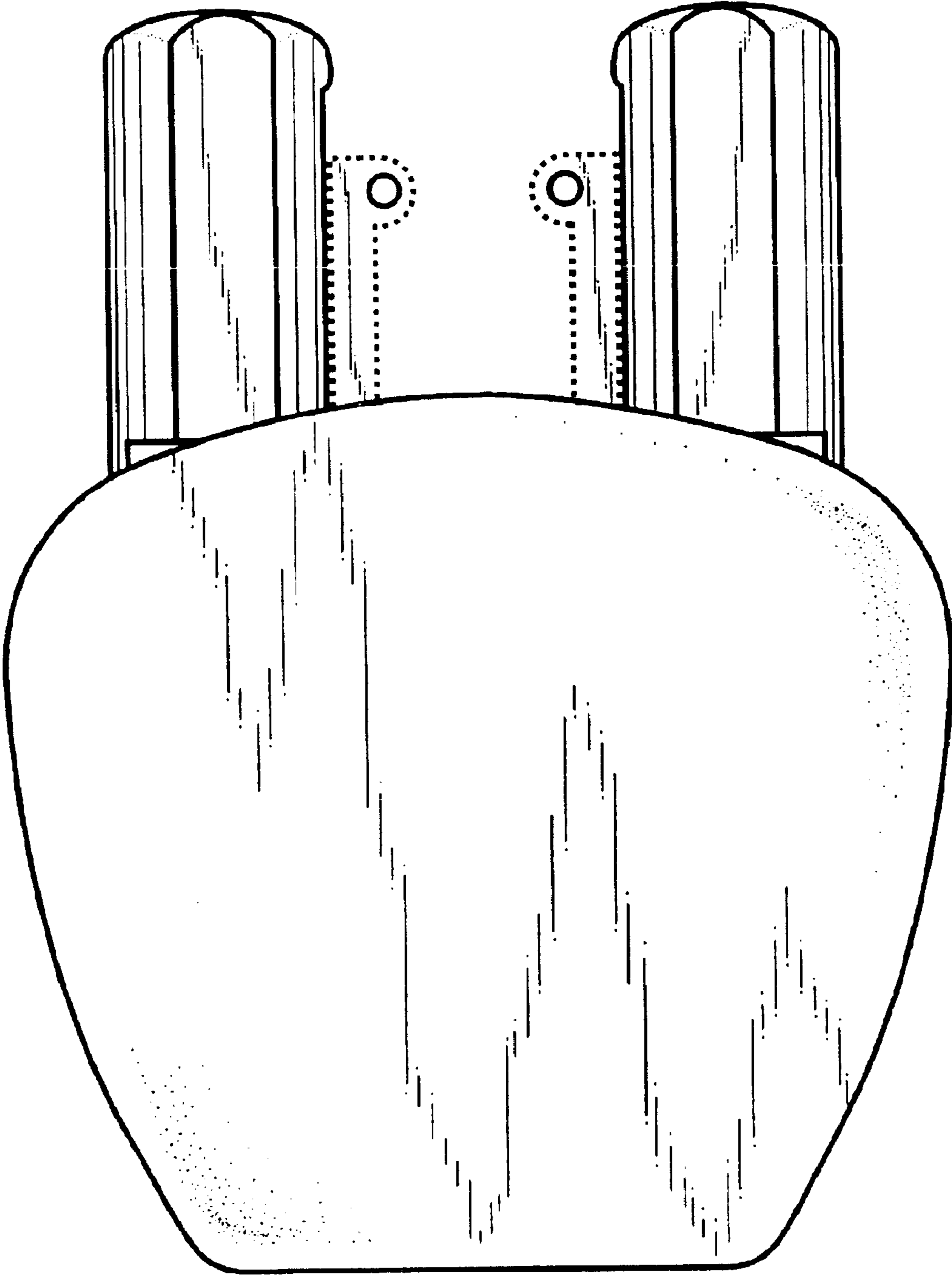


**FIGURE 5**



**FIGURE 6**





**FIGURE 7**