

US00D508173S

(12) **United States Design Patent**
Guard et al.

(10) **Patent No.:** **US D508,173 S**

(45) **Date of Patent:** **** Aug. 9, 2005**

(54) **CORNER TABLE FOR AN AIRPLANE**

D161,733 S * 1/1951 Burchard D6/428
D201,971 S * 8/1965 Mohon D6/428
D366,373 S * 1/1996 Reese D6/427

(75) Inventors: **Peter S. Guard**, Sammamish, WA
(US); **R. Klaus Brauer**, Seattle, WA
(US); **Paul Mikulencak**, Everett, WA
(US)

* cited by examiner

(73) Assignee: **The Boeing Company**, Chicago, IL
(US)

Primary Examiner—Janice E. Seeger

(74) *Attorney, Agent, or Firm*—John A. Artz; Artz & Artz

(**) Term: **14 Years**

(57) **CLAIM**

The ornamental design for a corner table for an airplane, as shown and described.

(21) Appl. No.: **29/202,348**

(22) Filed: **Mar. 30, 2004**

DESCRIPTION

(51) **LOC (8) Cl.** **06-06**

FIG. 1 is a perspective view of the inventive corner table for an airplane;

(52) **U.S. Cl.** **D6/480; D6/482**

FIG. 2 is a top plan view of the corner table for an airplane; and,

(58) **Field of Search** D6/480–489, 495–499,
D6/511, 422, 428; 108/50.01, 50.02, 153.1,
155, 156, 157.1, 161; 248/188, 188.1, 188.8;
312/208.1, 208.2, 223.1, 223.2, 223.3

FIG. 3 is a front plan view of the corner table for an airplane.

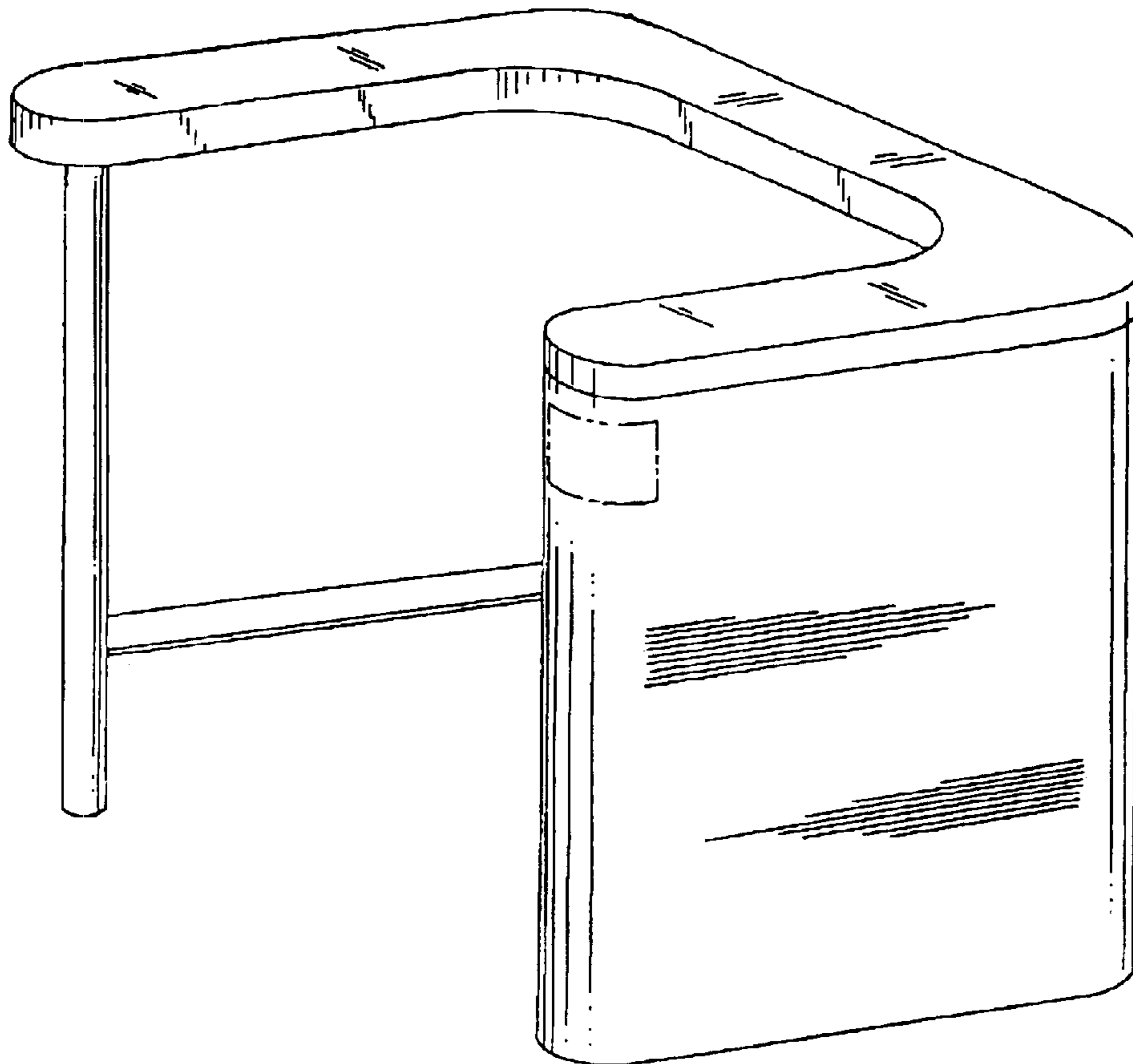
The broken lines are for environmental purposes only and form no part of the claimed design.

(56) **References Cited**

U.S. PATENT DOCUMENTS

D157,748 S * 3/1950 Fox et al. D6/477

1 Claim, 2 Drawing Sheets



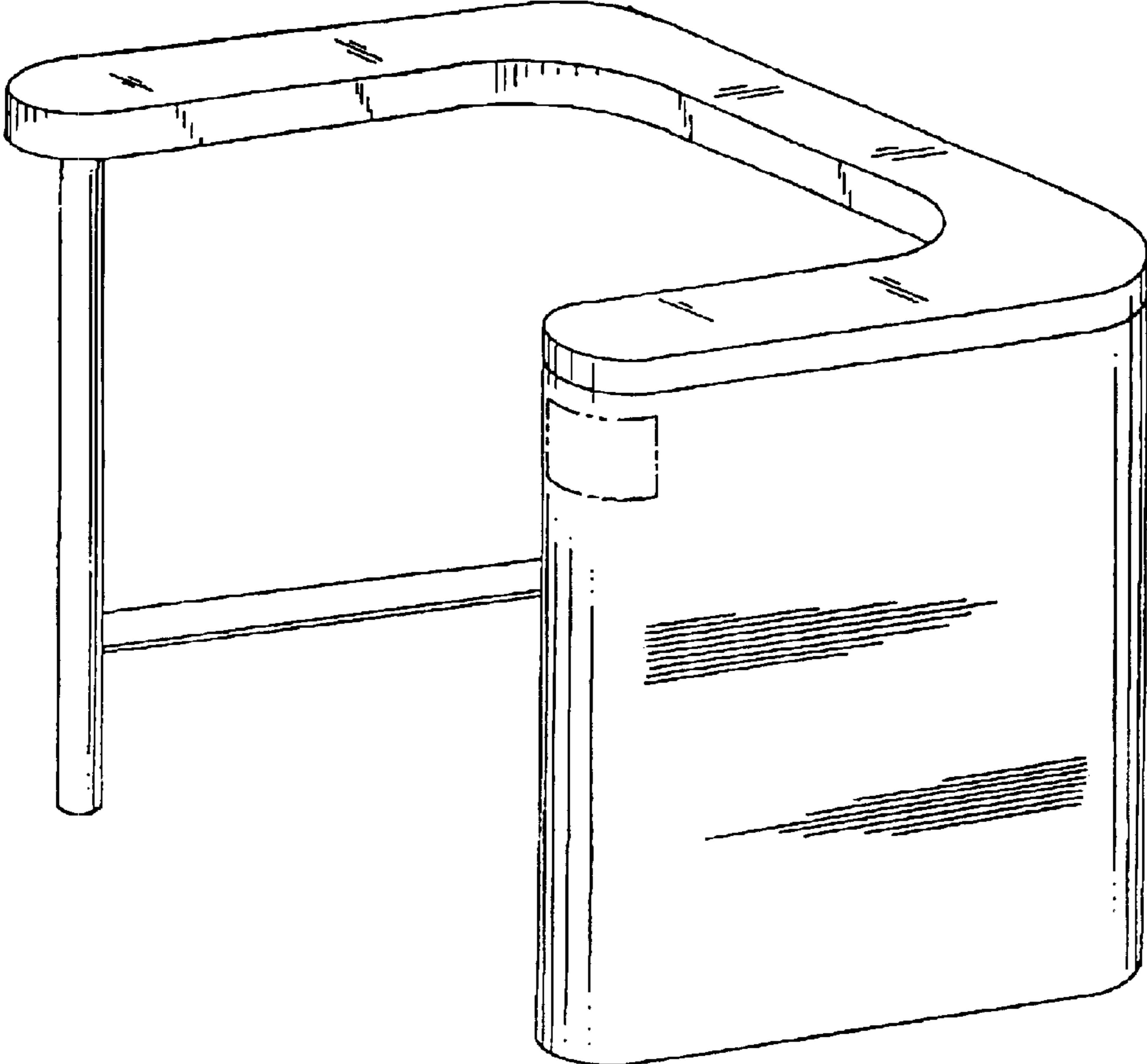


FIG. 1

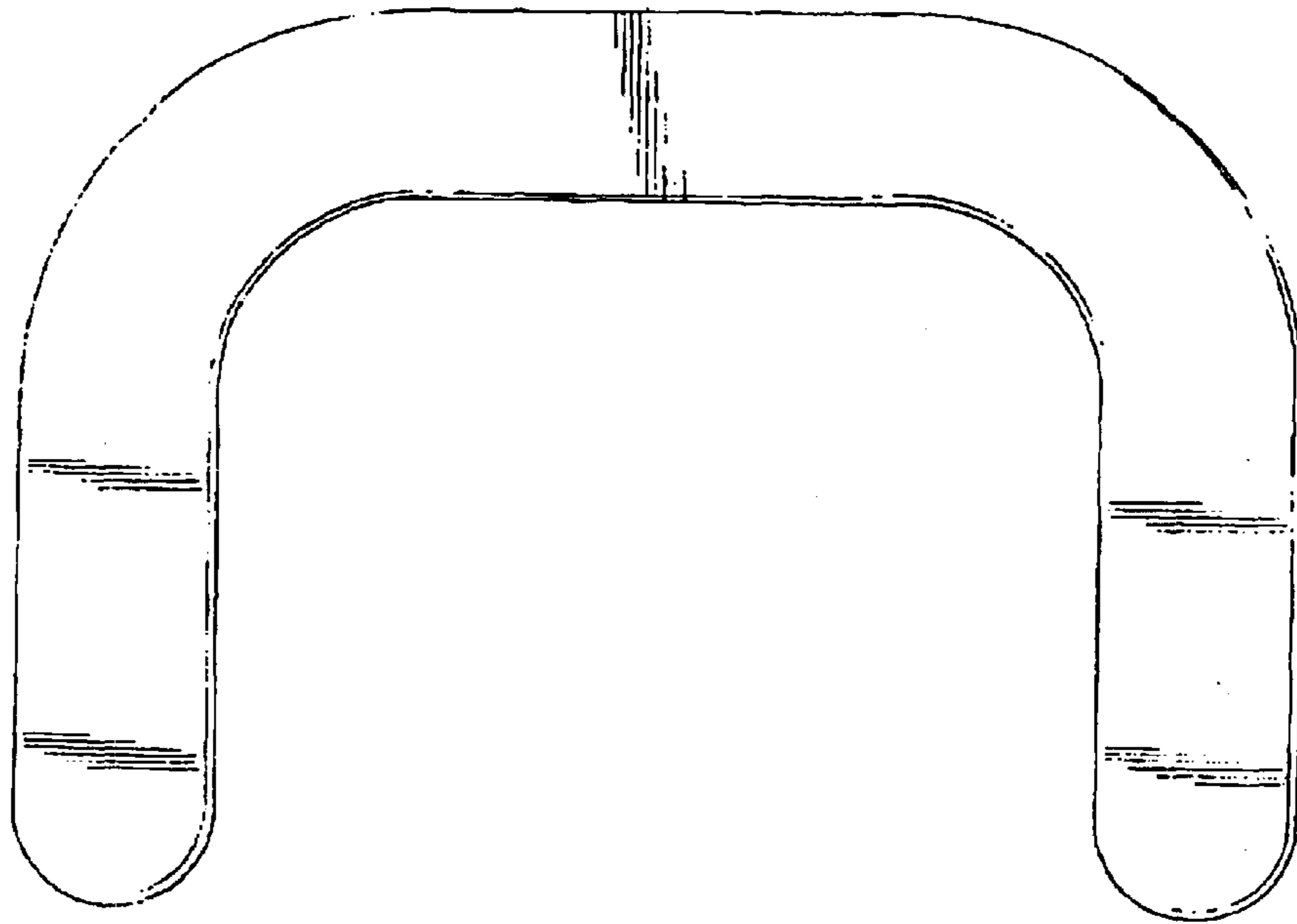


FIG. 2

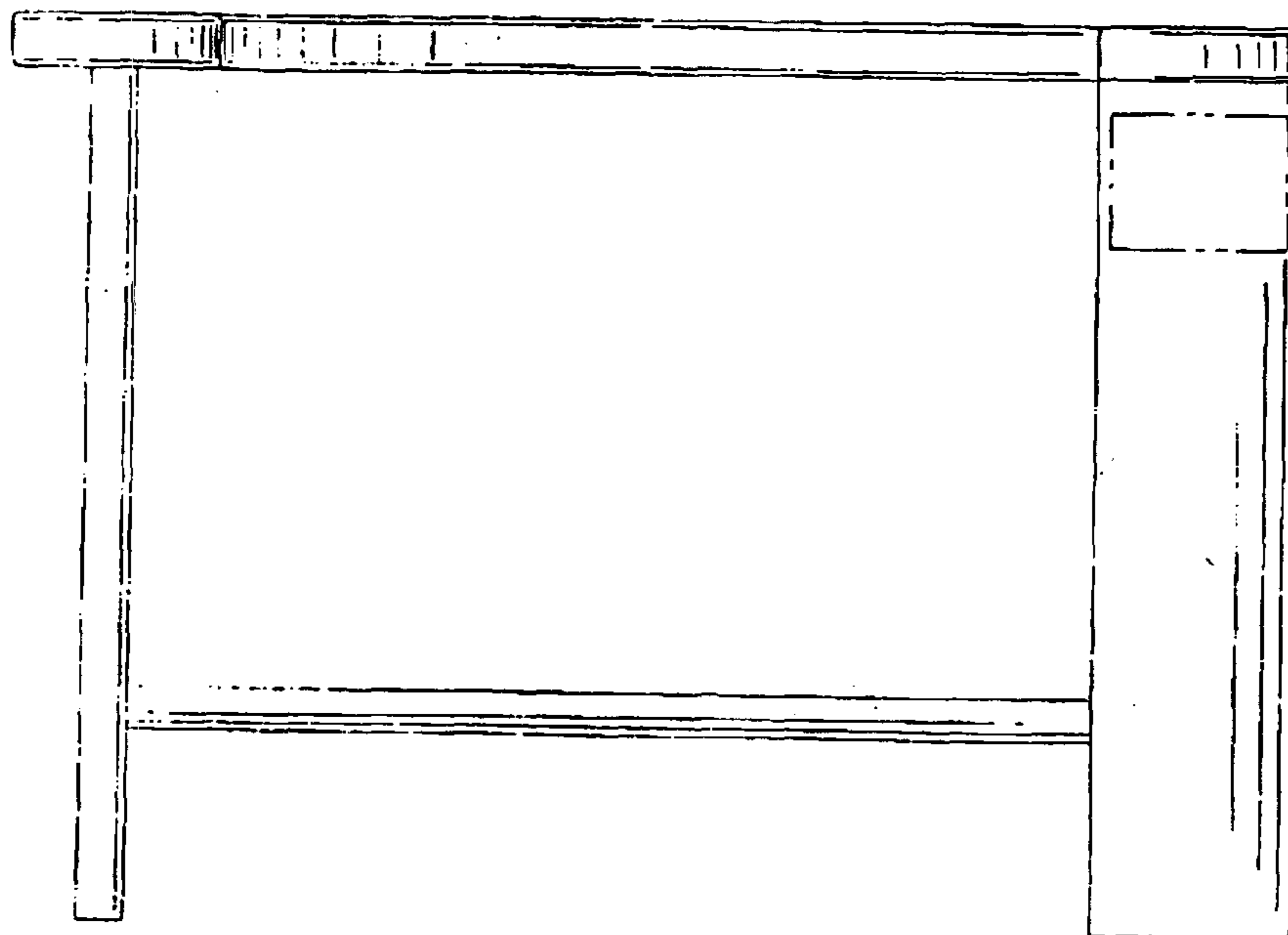


FIG. 3