

US00D508172S

(12) **United States Design Patent**
Malizia

(10) **Patent No.: US D508,172 S**
(45) **Date of Patent: ** Aug. 9, 2005**

(54) **AUDIO VIDEO SHELVING UNIT**
(75) **Inventor: Mario Malizia, Castelfidardo (IT)**
(73) **Assignee: Bell'O International, L.L.C.,
Morganville, NJ (US)**
(**) **Term: 14 Years**

D491,750 S * 6/2004 Bertoncini D6/474
D491,753 S * 6/2004 deCarolis D6/479
D492,513 S * 7/2004 Wicha D6/479
D494,781 S * 8/2004 Wicha D6/479
D495,533 S * 9/2004 Wicha D6/479
D496,545 S * 9/2004 McDiarmid D6/479
D496,806 S * 10/2004 Chang D6/477
D497,061 S * 10/2004 Decarolis D6/479

(21) **Appl. No.: 29/207,319**
(22) **Filed: Jul. 1, 2004**
(51) **LOC (8) Cl. 06-04**
(52) **U.S. Cl. D6/477; D6/479**
(58) **Field of Search D6/460, 461, 468,
D6/474, 477-479, 407; 108/59, 91, 92,
96; 211/40, 41.12, 42, 49.1, 50, 85.2, 90.04,
187, 190, 119.003, 134.153, 87.01, 71.01;
312/9.1, 9.2, 9.46, 9.64, 9.8, 7.2; 206/307,
308.1**

OTHER PUBLICATIONS

Bell'O 2003 International Catalog.

* cited by examiner

Primary Examiner—Cathron Brooks

(74) *Attorney, Agent, or Firm*—Lerner, David, Littenberg,
Krumholz & Mentlik, LLP

(57) **CLAIM**

The ornamental design for audio video shelving unit, as
shown and described.

(56) **References Cited**
U.S. PATENT DOCUMENTS

D371,259 S 7/1996 Herbst
D378,175 S 2/1997 Hamami
D402,486 S 12/1998 Wada et al.
D405,630 S * 2/1999 Wohlford D6/479
D427,459 S 7/2000 Druebbisch
D441,217 S 5/2001 Pepin et al.
D451,307 S 12/2001 Dong
D467,099 S 12/2002 Antonioni
D472,073 S 3/2003 de Carolis
D472,074 S 3/2003 de Carolis
D472,075 S 3/2003 de Carolis
D483,581 S * 12/2003 Chang D6/479
D483,966 S 12/2003 Forlenza et al.
D491,386 S * 6/2004 Sexton D6/479

DESCRIPTION

FIG. 1 is a perspective view of a first embodiment of the
subject audio video shelving unit;
FIG. 2 is a front plan view thereof;
FIG. 3 is a rear view thereof;
FIG. 4 is a right side view thereof (the left side being a
mirror image of the right side view);
FIG. 5 is a top plan view thereof;
FIG. 6 is a perspective view of a second embodiment of the
subject audio video system; and,
FIG. 7 is a top plan view of the embodiment shown in FIG.
6 (all other views of the second embodiment having the
same appearance as FIGS. 2, 3 and 4).

1 Claim, 6 Drawing Sheets

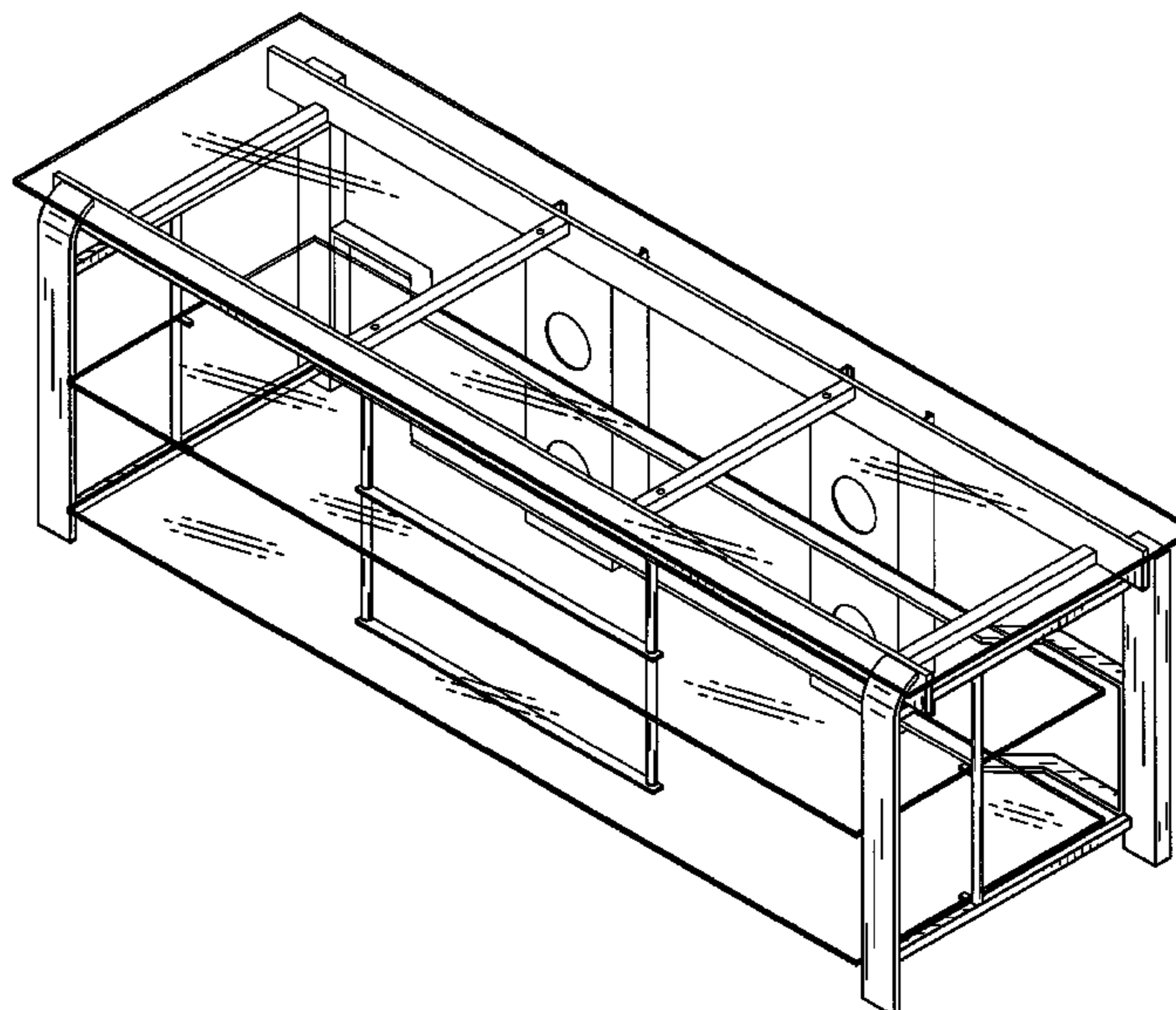


FIG. 1

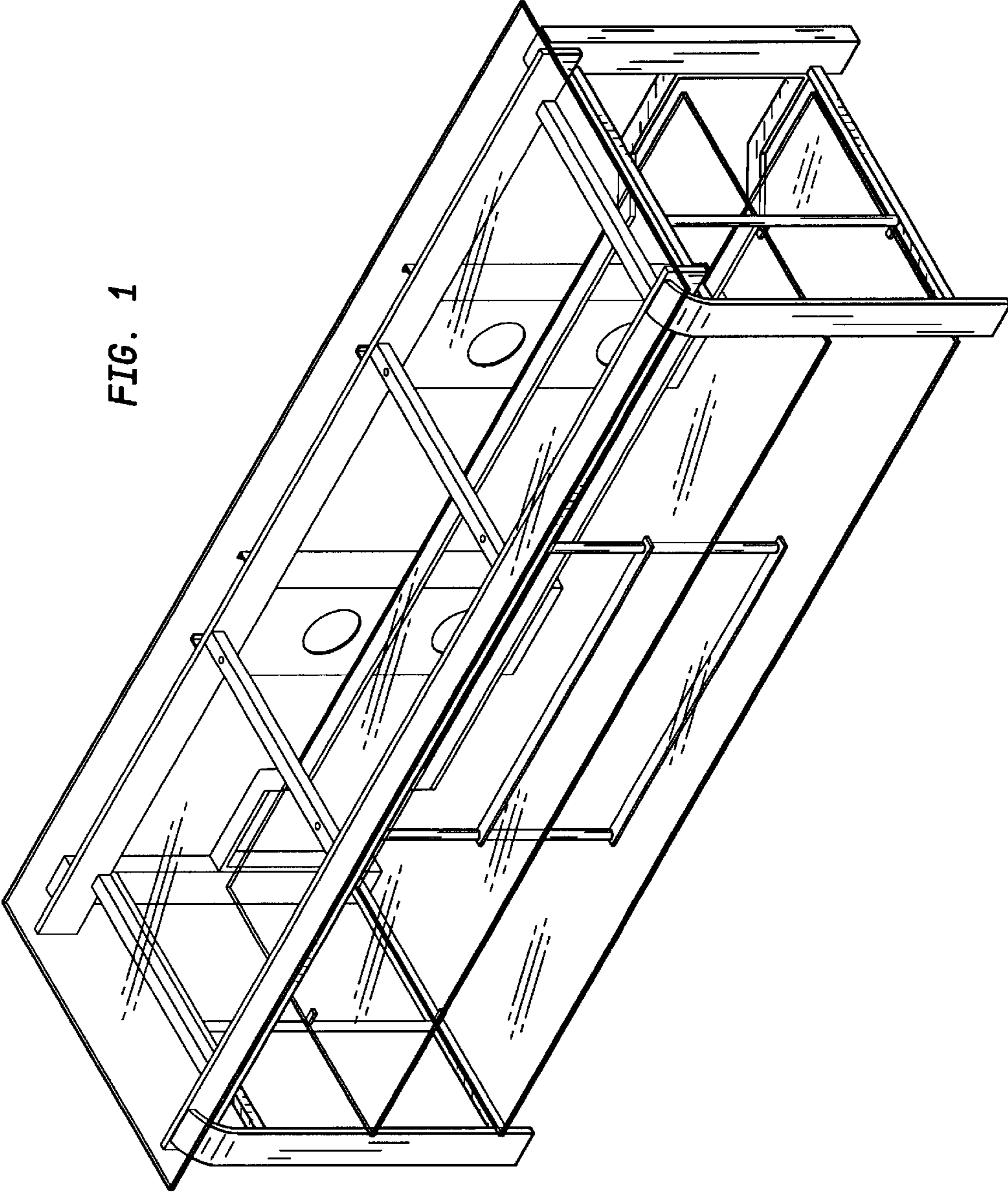


FIG. 2

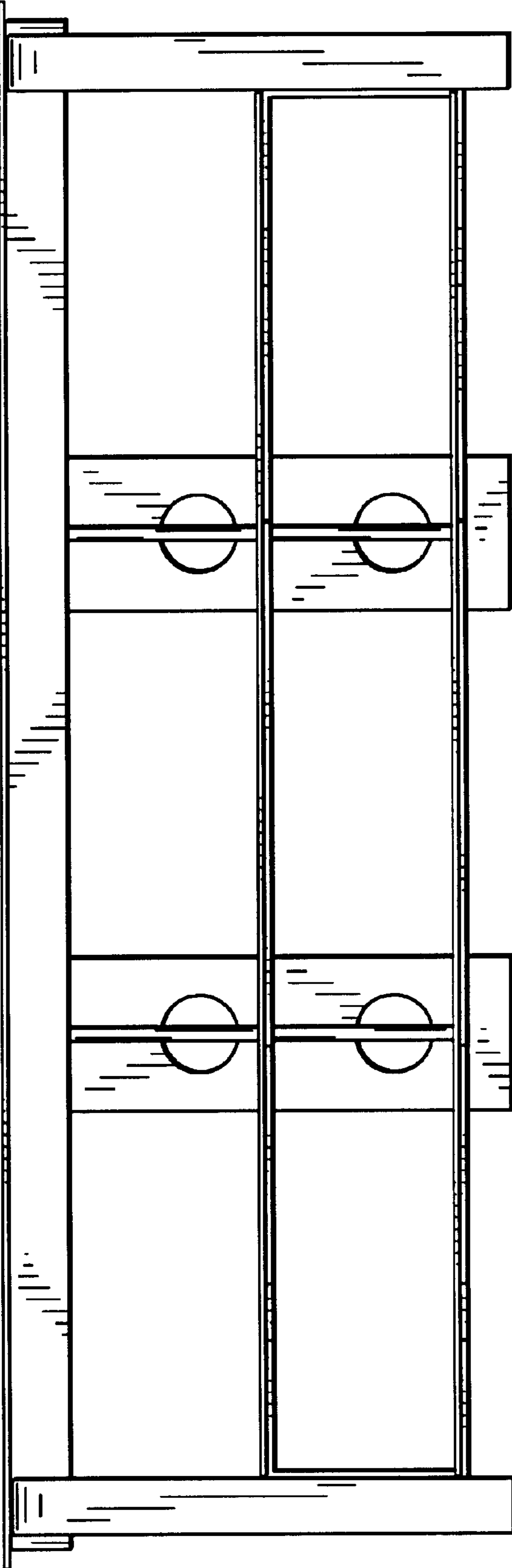
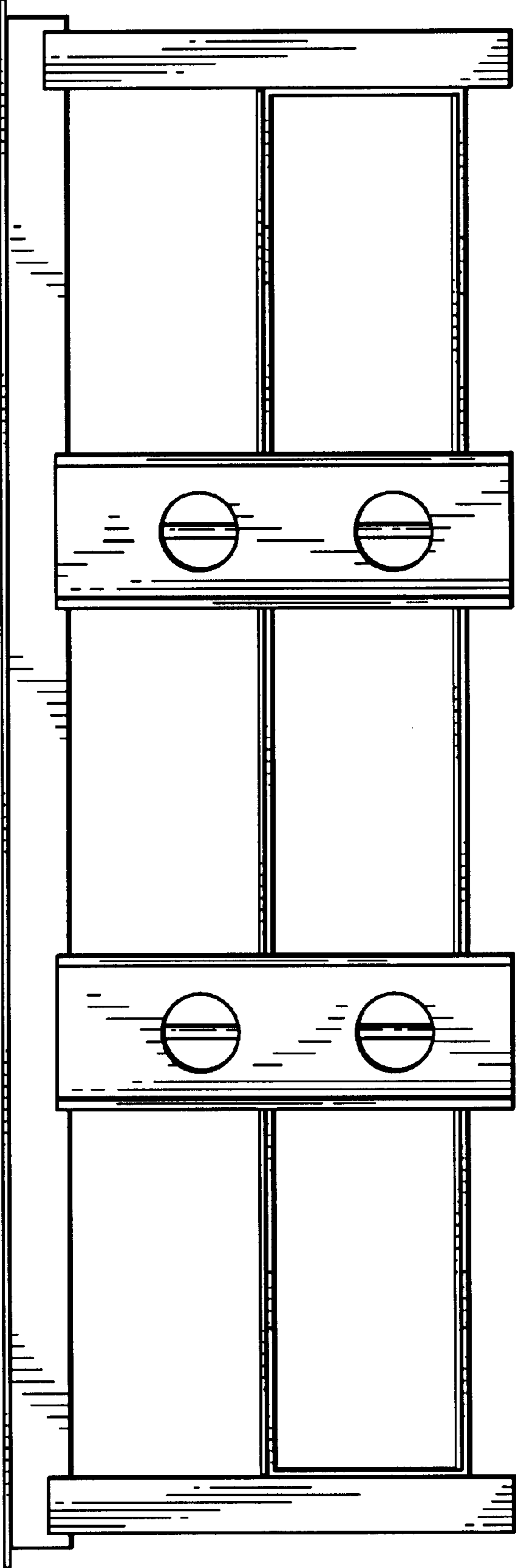


FIG. 3



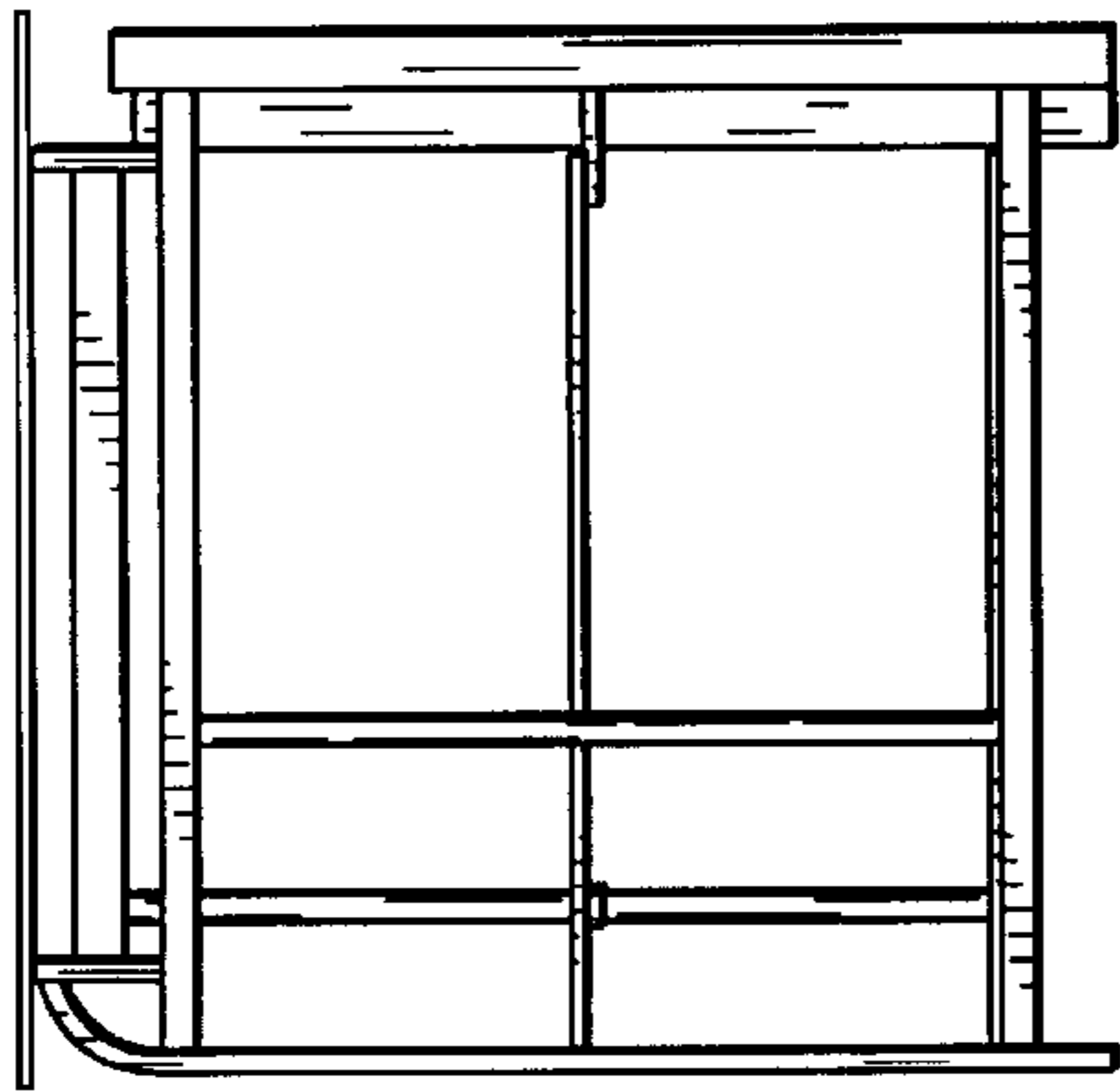
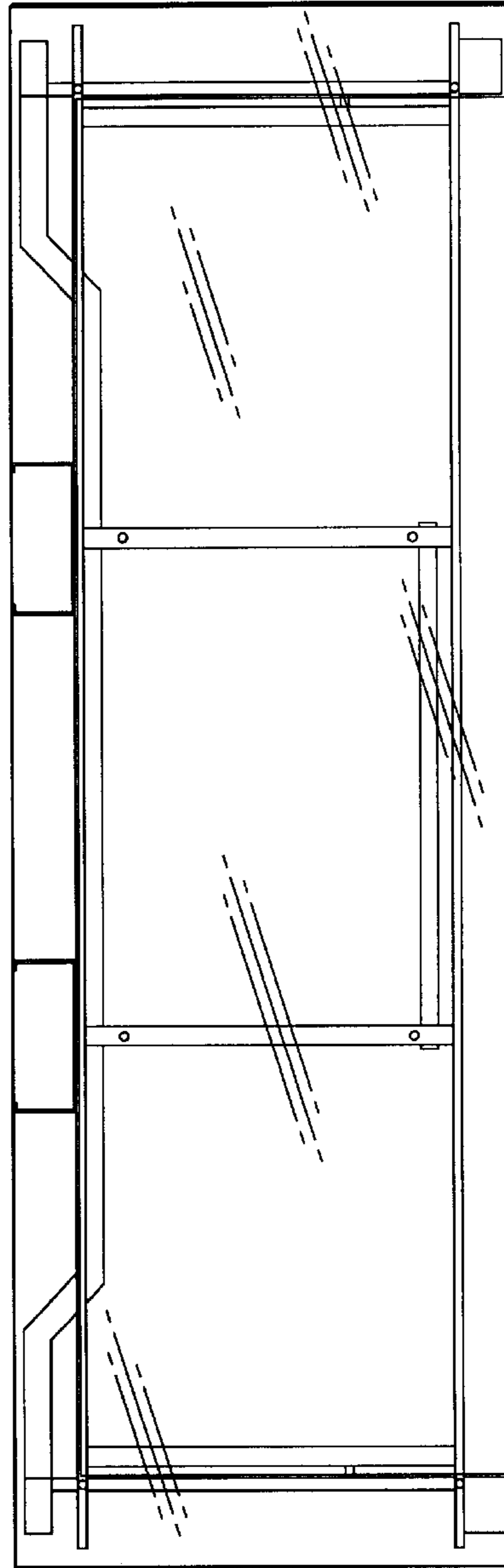


FIG. 4

FIG. 5



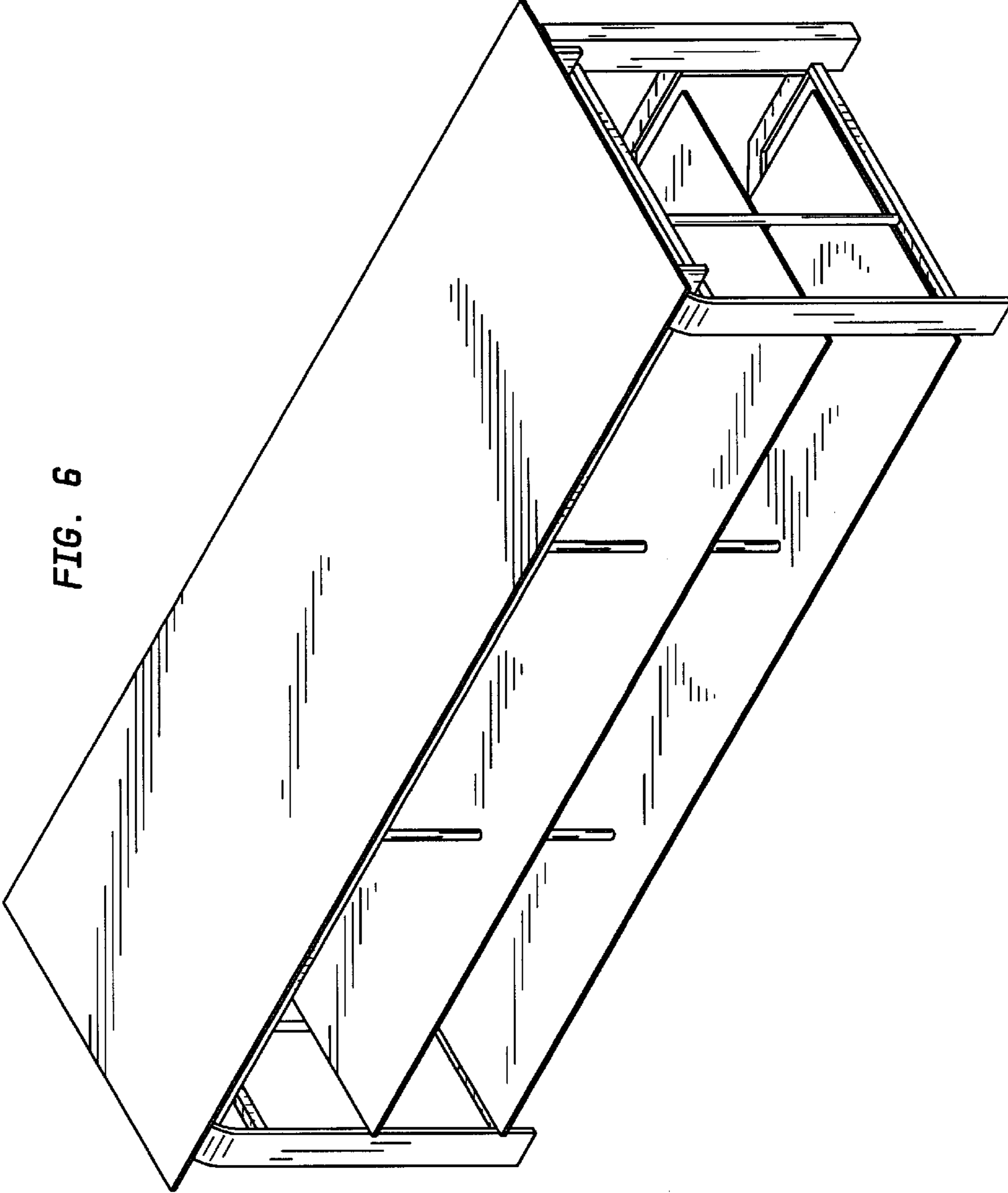


FIG. 6

FIG. 7

