

US00D508171S

(12) **United States Design Patent** (10) **Patent No.:** **US D508,171 S**
Choo (45) **Date of Patent:** **** Aug. 9, 2005**

(54) **ENTERTAINMENT CENTER**

D364,054 S 11/1995 Weber
D365,472 S 12/1995 Rehnberg
D368,912 S 4/1996 Murphy et al.

(76) Inventor: **Chong H. Choo**, 62 Bronco Way,
Walnut, CA (US) 91789

(Continued)

(**) Term: **14 Years**

OTHER PUBLICATIONS

(21) Appl. No.: **29/204,455**

Avdeco Inc., Advertisement, DVD Etc., Magazine, Dec. 2003, p. 116.

(22) Filed: **Apr. 29, 2004**

Avdeco Inc., Advertisement, DVD Etc., Magazine, Jul./Aug. 2003, p. 53.

(51) **LOC (8) Cl.** **06-04**

Avdeco Inc., Advertisement, DVD Etc., Magazine, Nov. 2003.

(52) **U.S. Cl.** **D6/477; D6/466**

Avdeco Inc., Advertisement, DVD Etc., Magazine, Sep. 2003.

(58) **Field of Search** D6/460, 461, 468,
D6/474, 477-479, 407; 108/59, 91, 92,
96; 211/40, 41.12, 42, 49.1, 50, 85.2, 90.04,
187, 190, 119.003, 134.153, 87.01, 71.01;
312/9.1, 9.2, 9.46, 9.64, 9.8, 7.2; 206/307,
308.1

Avdeco Inc., Advertisement, DVD Etc., Magazine, Mar. 2004, p. 54.

Avdeco Inc., Advertisement, DVD Etc., Magazine, Apr. 2004, p. 42.

(56) **References Cited**

(Continued)

U.S. PATENT DOCUMENTS

Primary Examiner—Cathron Brooks

D282,226 S	1/1986	Branciforti
D300,888 S	5/1989	Bush et al.
D301,095 S	5/1989	Bush et al.
D302,499 S	8/1989	Bush et al.
D307,681 S	5/1990	Bush et al.
D307,682 S	5/1990	Bush et al.
D314,096 S	1/1991	Bush et al.
D316,640 S	5/1991	Bush et al.
D316,641 S	5/1991	Bush et al.
D324,788 S	3/1992	White
D328,202 S	7/1992	Tippit
D328,927 S	8/1992	Hines
D332,533 S	1/1993	Ma
D335,975 S	6/1993	Bressler
D340,151 S	10/1993	Keller
D340,152 S	10/1993	Short
D343,073 S	1/1994	Black
D348,998 S	7/1994	Siroonian
D353,281 S	12/1994	Keller
D354,638 S	1/1995	Todd et al.
D358,046 S	5/1995	Ferguson
D361,002 S	8/1995	Ferguson

(74) *Attorney, Agent, or Firm*—MacPherson Kwok Chen & Heid LLP; Clifford G. Cousins

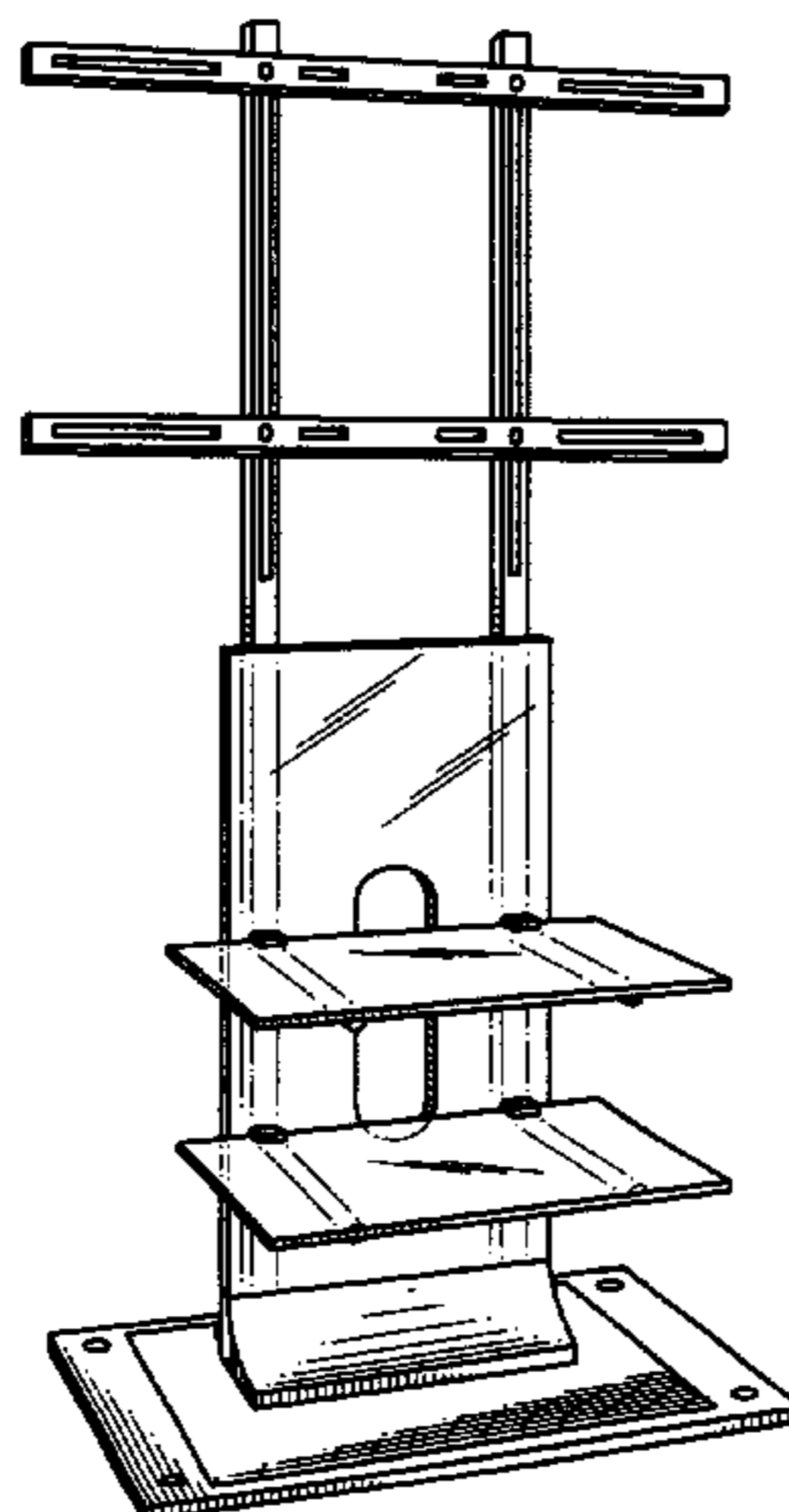
(57) **CLAIM**

The ornamental design for the entertainment center, as shown and described.

DESCRIPTION

FIG. 1 is a front perspective view of the entertainment center of the present invention;
FIG. 2 is a left side perspective view of the entertainment center;
FIG. 3 is a right side perspective view of the entertainment center;
FIG. 4 is a front perspective view of the entertainment center; and,
FIG. 5 is a back perspective view of the entertainment center.

1 Claim, 3 Drawing Sheets



U.S. PATENT DOCUMENTS

D372,136 S	7/1996	Walters, III et al.	
D372,376 S	8/1996	Walters, III et al.	
D372,379 S	8/1996	Newman	
D373,488 S	9/1996	Johnson	
D392,694 S	3/1998	Granatier et al.	
D403,531 S	1/1999	De Blaay	
D403,891 S	1/1999	West	
D403,892 S	1/1999	Welborn, Jr.	
D403,893 S	1/1999	Welborn, Jr.	
D407,577 S	4/1999	Dorst	
D423,810 S	5/2000	Dorst	
D441,214 S	5/2001	Cain	
D451,698 S	12/2001	Cain	
D458,053 S	* 6/2002	Luong	D6/477
D461,652 S	8/2002	Stanton	
D461,971 S	8/2002	Stanton	
D465,106 S	11/2002	Cain	
D465,355 S	* 11/2002	Luong	D6/477
D465,356 S	11/2002	Muller	
D480,237 S	* 10/2003	de Carolis	D6/474
D484,332 S	* 12/2003	Niitsu	D6/477
D488,648 S	4/2004	Stanton	
D491,750 S	* 6/2004	Bertoncini	D6/474
D495,163 S	* 8/2004	Weatherly	D6/479

OTHER PUBLICATIONS

Avdeco Inc., Advertisement, HDTV, Magazine, Winter 2003, p. 76.
 Avdeco Inc., Advertisement, HDTV, Magazine, Spring 2004, p. 51.
 Avdeco Inc., Advertisement, Home Theater Builder, Magazine, Sep. 2003, p. 37.
 Avdeco Inc., Advertisement, Home Theater Builder, Magazine, Jul. 2003, p. 31.
 Avdeco Inc., Advertisement, Home Theater Builder, Magazine, Jan. 2004.
 Avdeco Inc., Advertisement, Home Theater Builder, Magazine, May 2004.
 Avdeco Inc., Advertisement, Home Theater, Magazine, Sep. 2003, p. 119.
 Avdeco Inc., Advertisement, San Diego Living, Magazine, Dec. 2003–Jan. 2004, Back Cover.
 Avdeco Inc., Avdeco Pamphlet, Sep. 2003, pp. 2, 5, and 6.
 Avdeco Inc., Advertisement, San Diego Living, Magazine, Oct./Nov. 2003, Back Cover.
 Avdeco Inc., Advertisement, DVD Etc., Magazine, Jan./Feb. 2004, p. 49.

* cited by examiner

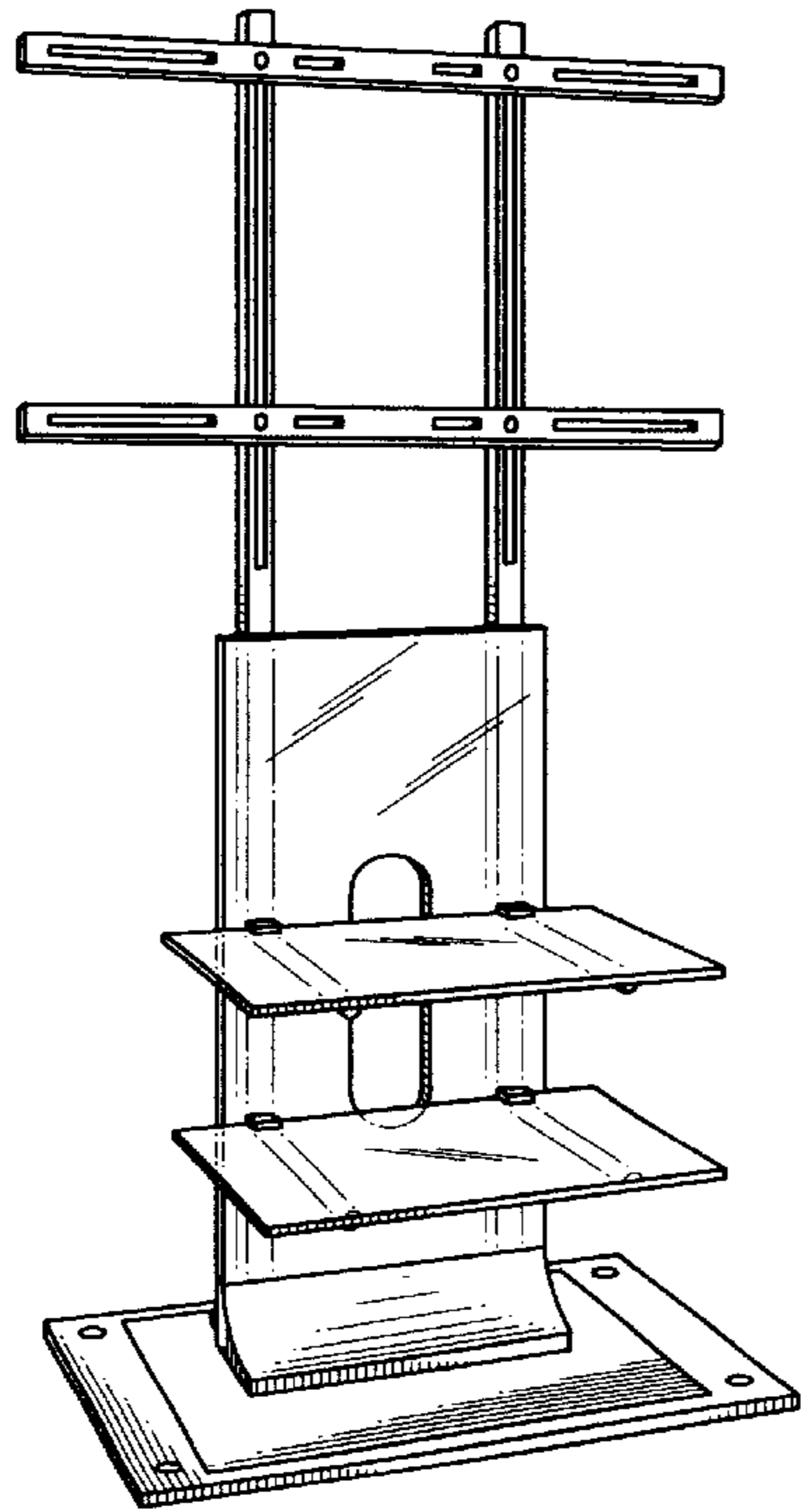


FIG. 1

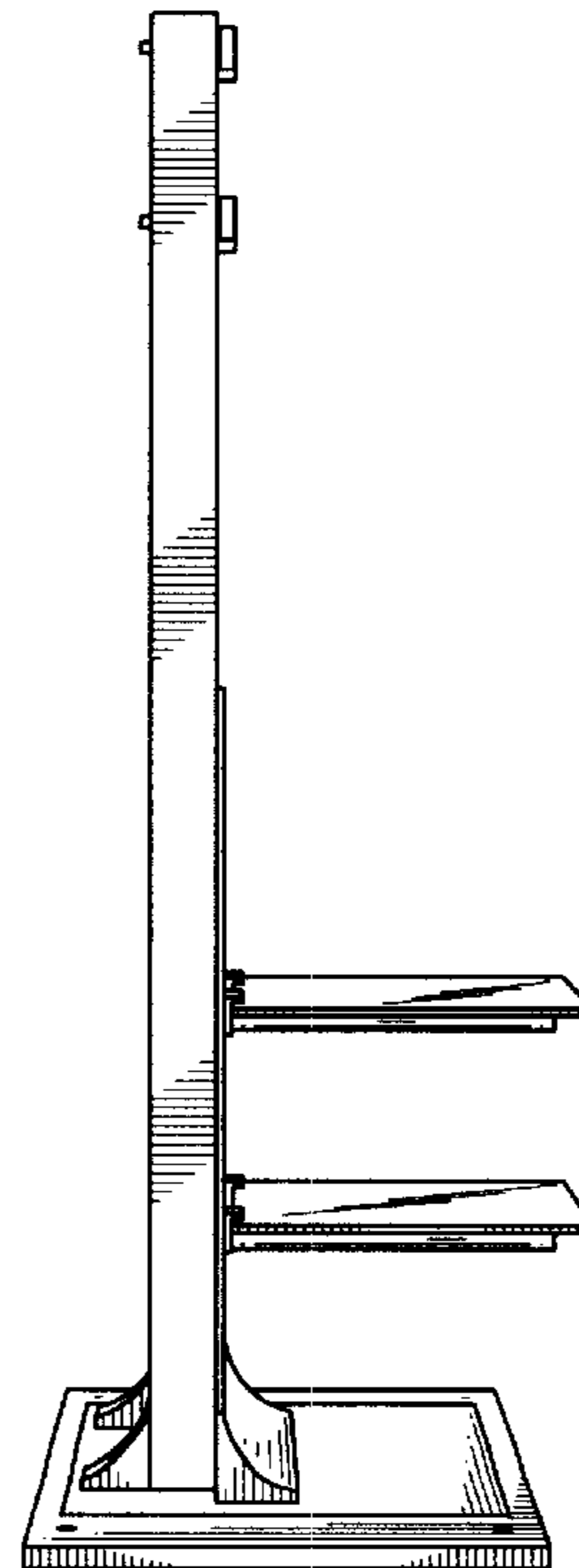


FIG. 2

FIG. 3

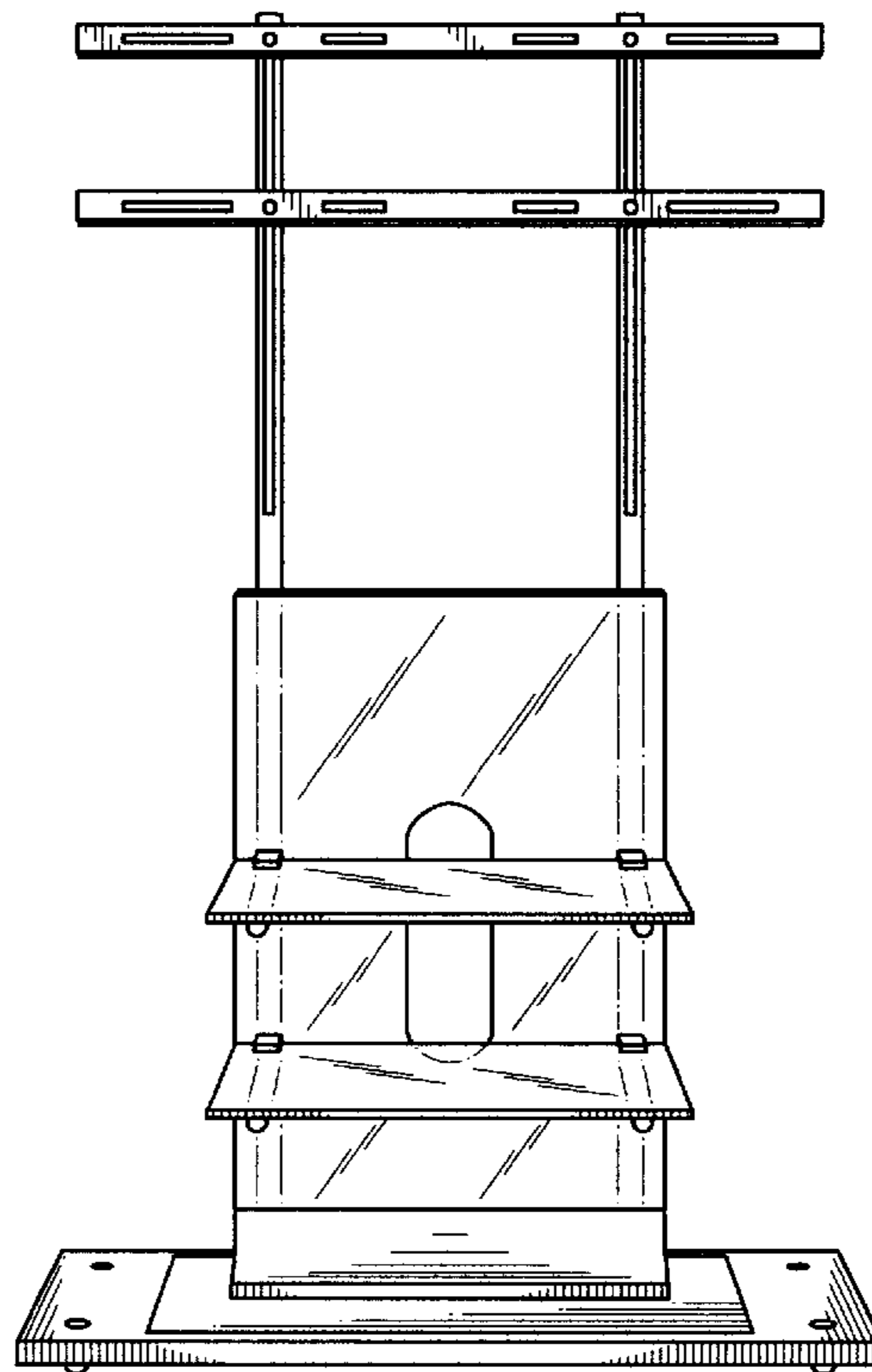
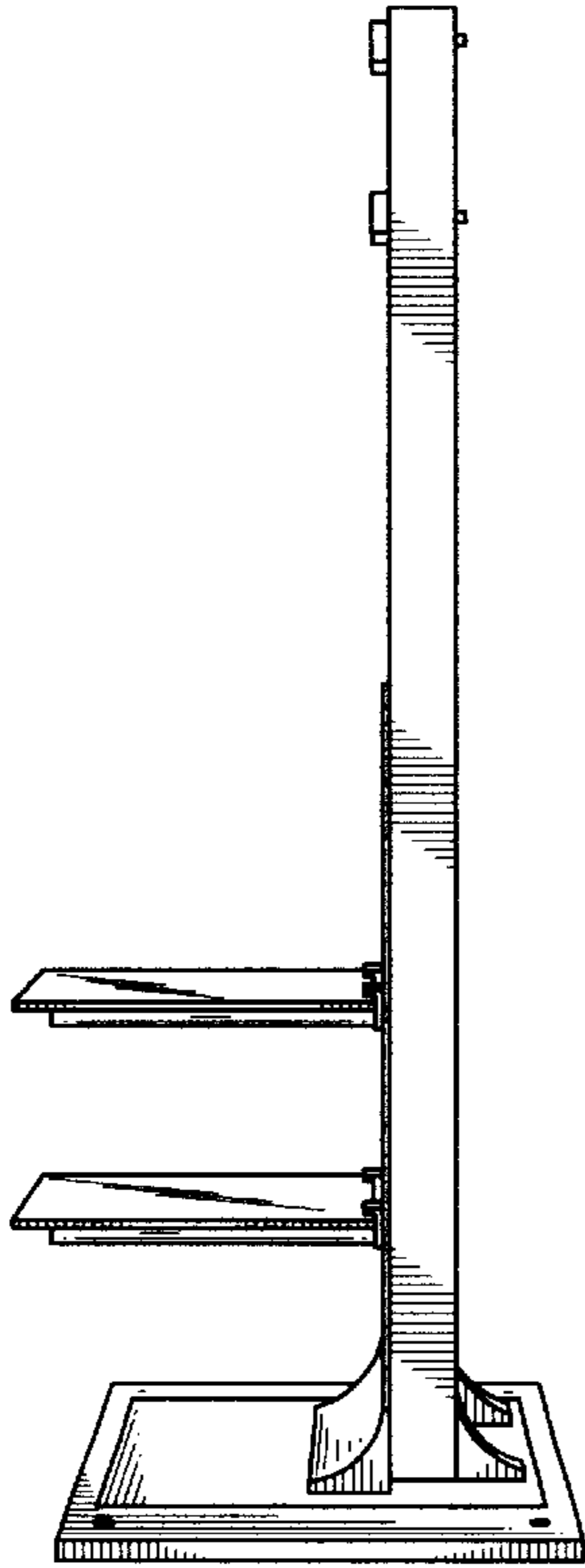


FIG. 4

FIG. 5

