

US00D508167S

(12) **United States Design Patent**
Anderson et al.

(10) **Patent No.: US D508,167 S**

(45) **Date of Patent: ** Aug. 9, 2005**

(54) **WIRE BASKET**

(75) Inventors: **Torrence Anderson**, Overland Park, KS (US); **Adam Thomas**, Wheaton, IL (US)

(73) Assignee: **Suncast Corporation**, Batavia, IL (US)

(**) Term: **14 Years**

(21) Appl. No.: **29/202,962**

(22) Filed: **Apr. 6, 2004**

(51) **LOC (8) Cl.** **03-01**

(52) **U.S. Cl.** **D3/304; D3/306; D6/566**

(58) **Field of Search** **D3/304-315; D6/566, D6/567, 525, 537, 540, 574, 572, 511; 206/202, 513, 557; 211/13.1, 41.3, 41.4, 86.01, 88.01, 134, 126.1, 181.1; 248/302; 220/485, 488**

(56) **References Cited**

U.S. PATENT DOCUMENTS

D322,378 S * 12/1991 Colman D6/566

D407,930 S * 4/1999 Camilleri et al. D6/513
D442,002 S * 5/2001 Rodack D6/566
D498,632 S * 11/2004 Anderson et al. D6/566

* cited by examiner

Primary Examiner—Louis S. Zarfaz

Assistant Examiner—John Windmuller

(74) *Attorney, Agent, or Firm*—McHale & Slavin, P.A.

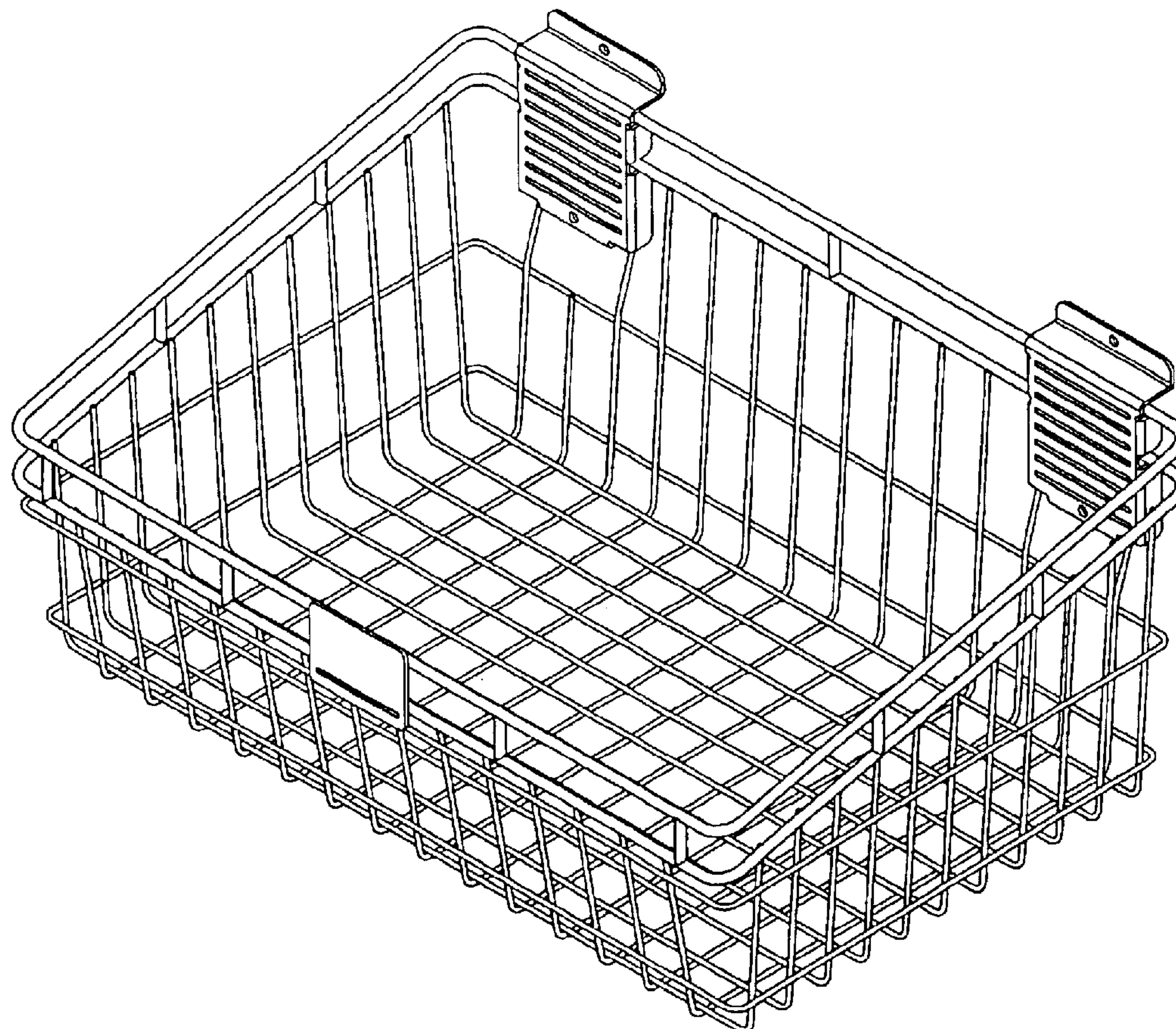
(57) **CLAIM**

The ornamental design for a wire basket, as shown and described.

DESCRIPTION

FIG. 1 is a perspective view of the wire basket of the instant invention;
FIG. 2 is a front elevation view thereof;
FIG. 3 is a rear view thereof;
FIG. 4 is a right side view thereof;
FIG. 5 is a left side view thereof;
FIG. 6 is a top view thereof; and,
FIG. 7 is a bottom view.

1 Claim, 7 Drawing Sheets



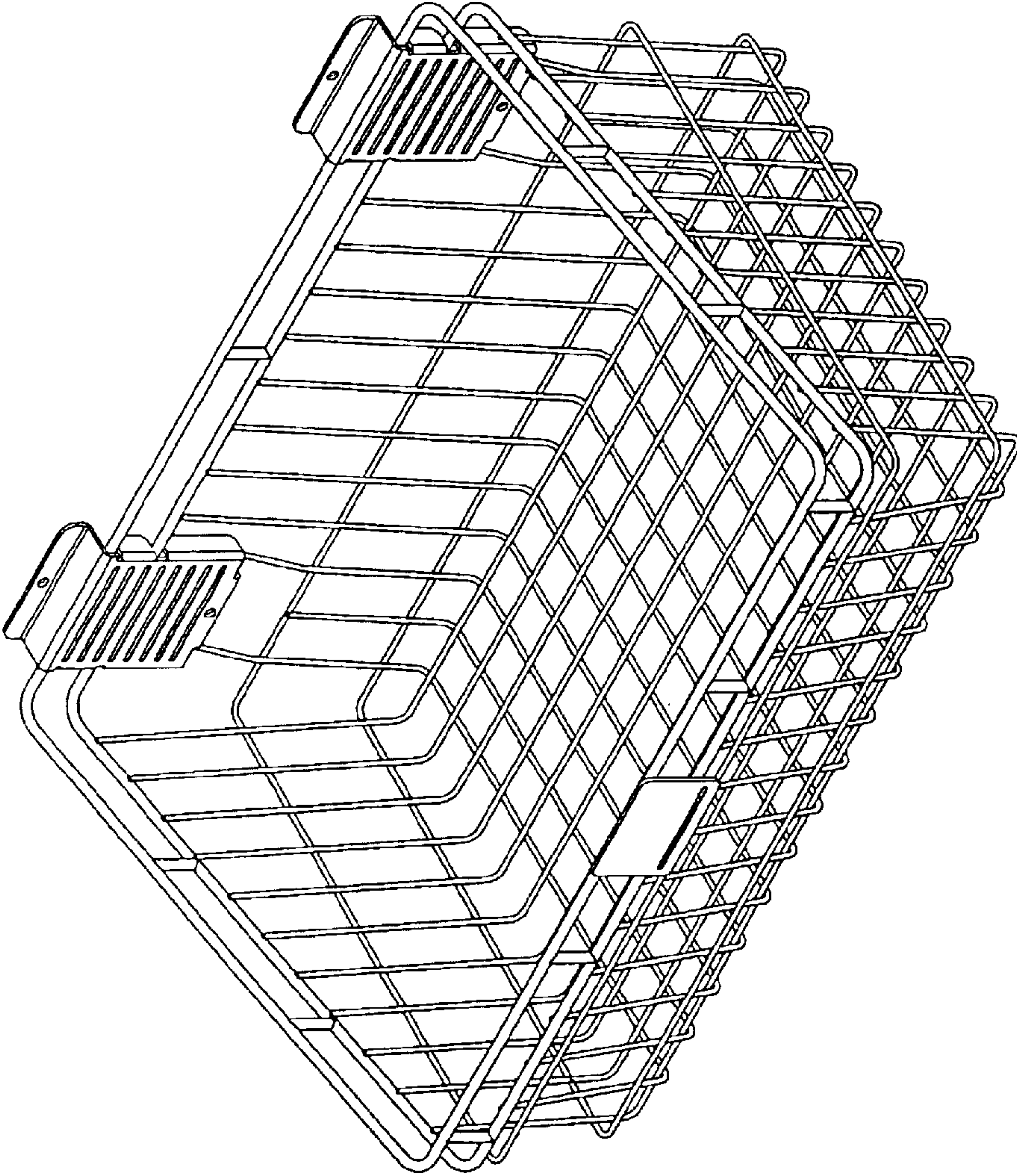


FIGURE 1

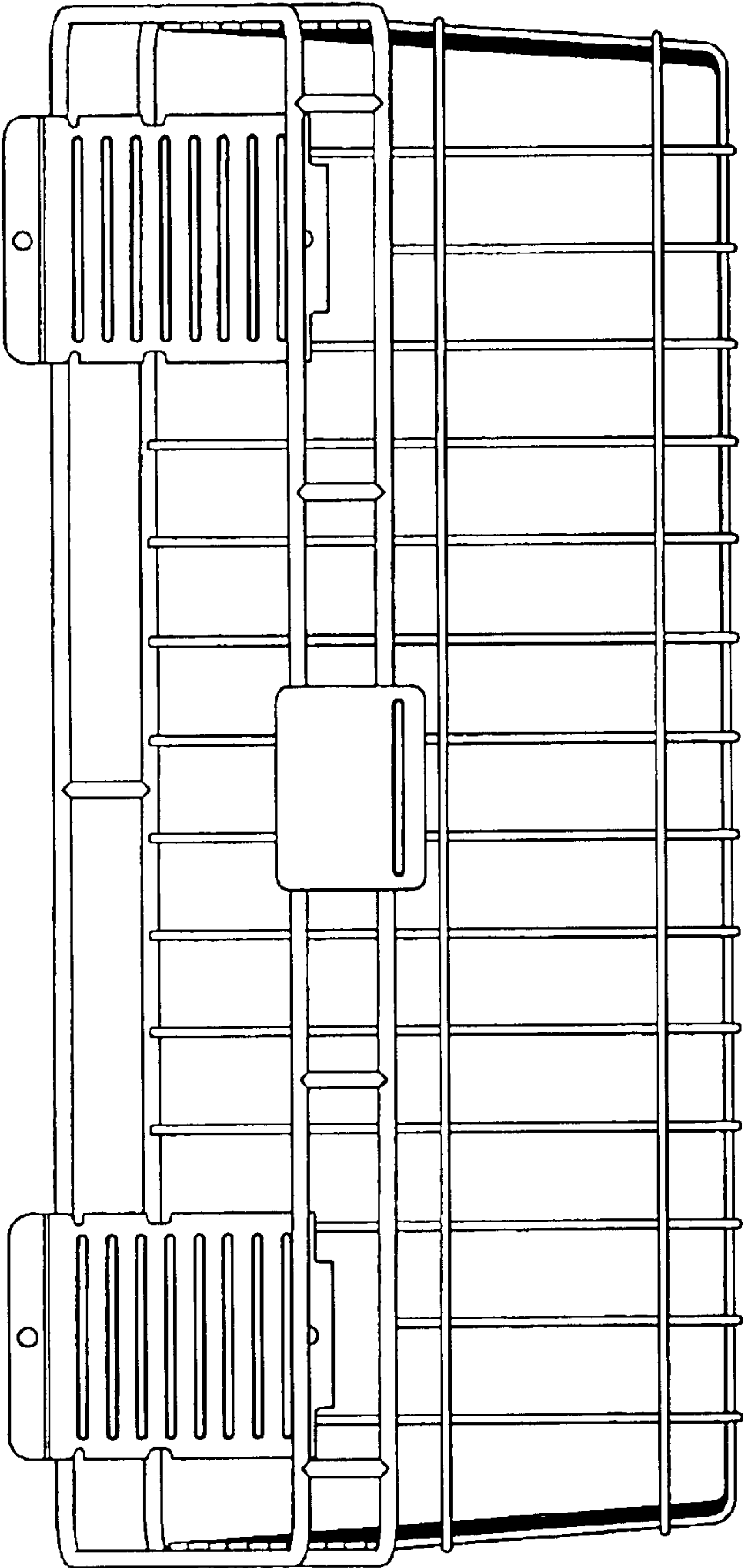


FIGURE 2

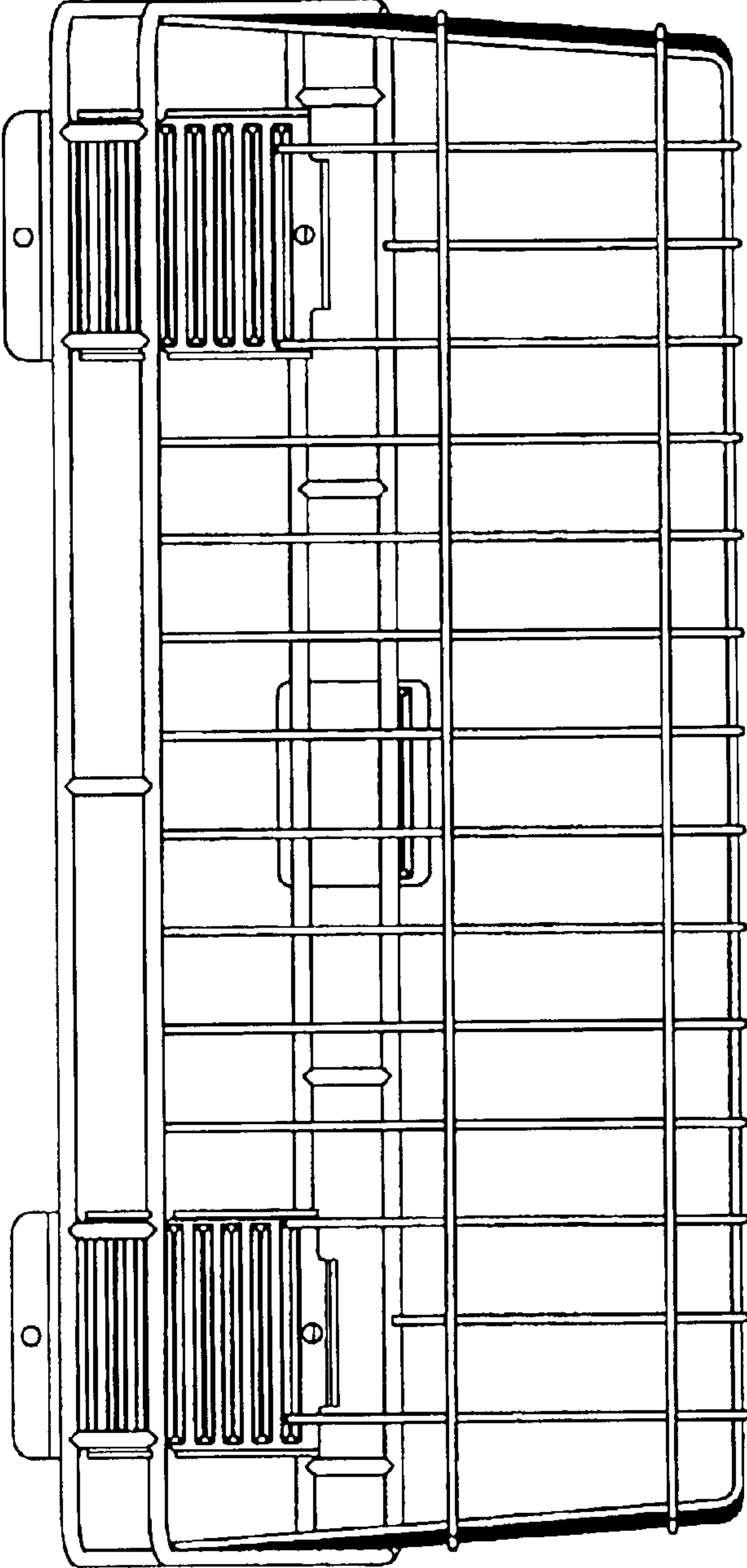


FIGURE 3

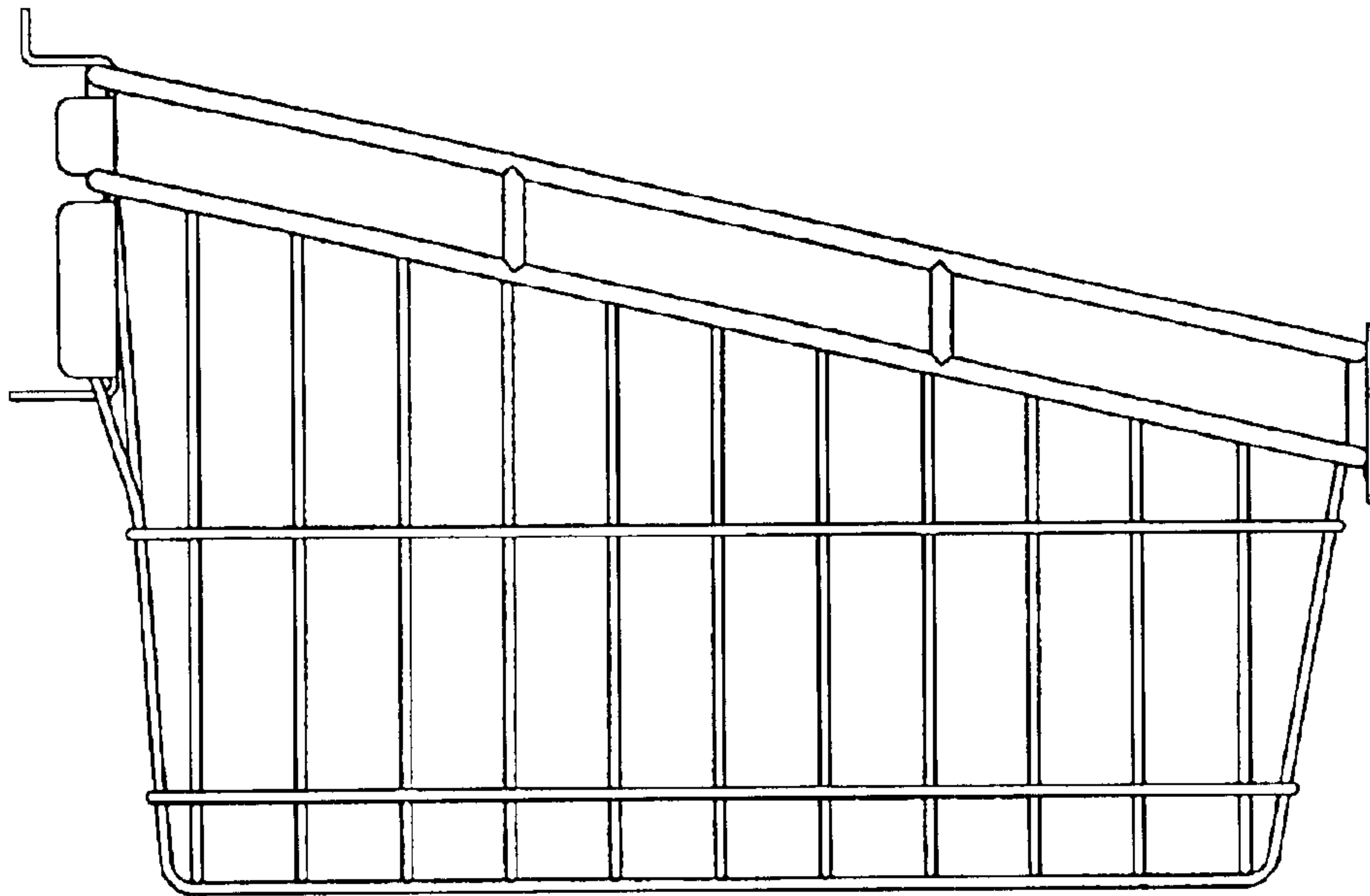


FIGURE 4

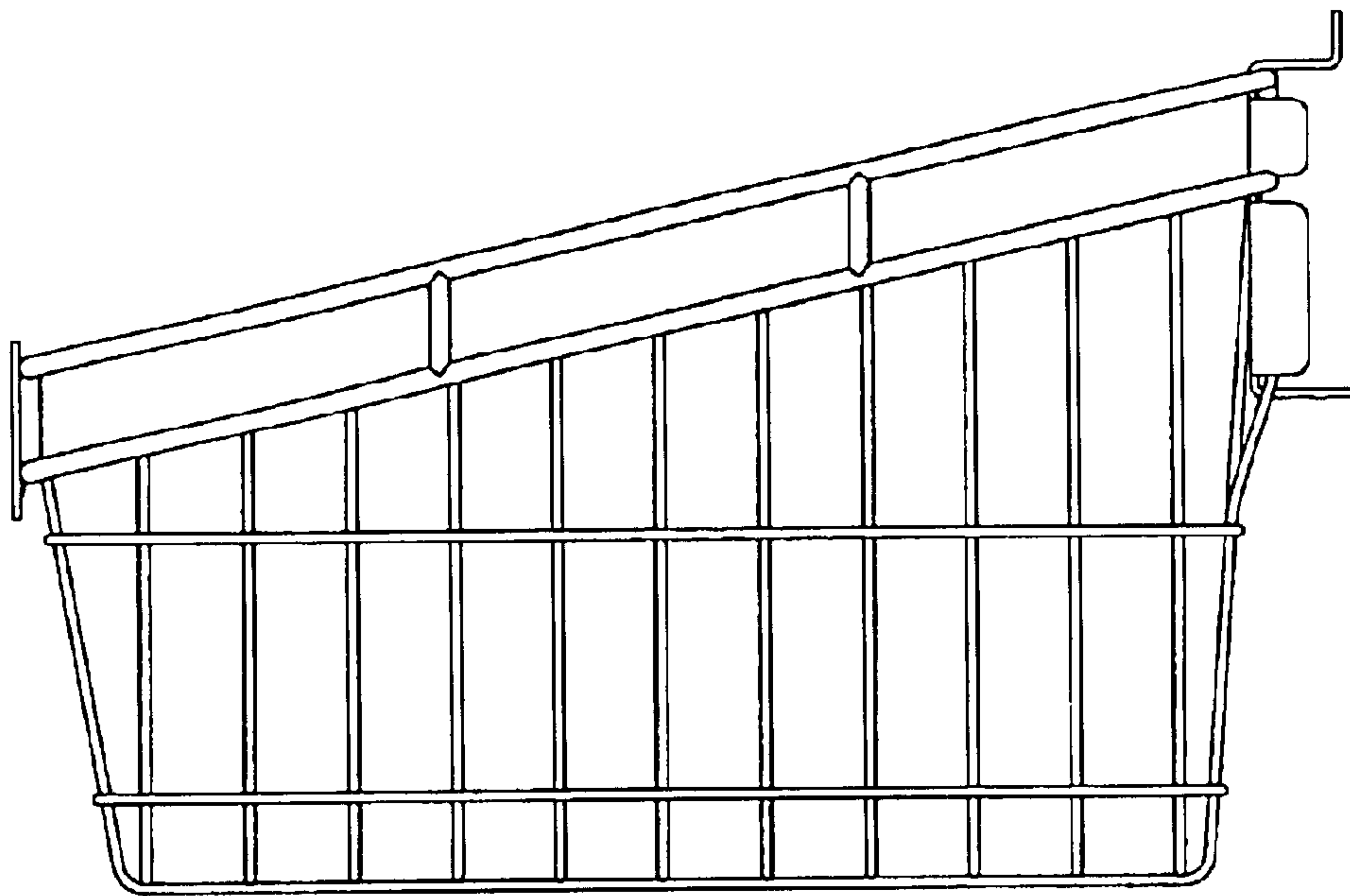


FIGURE 5

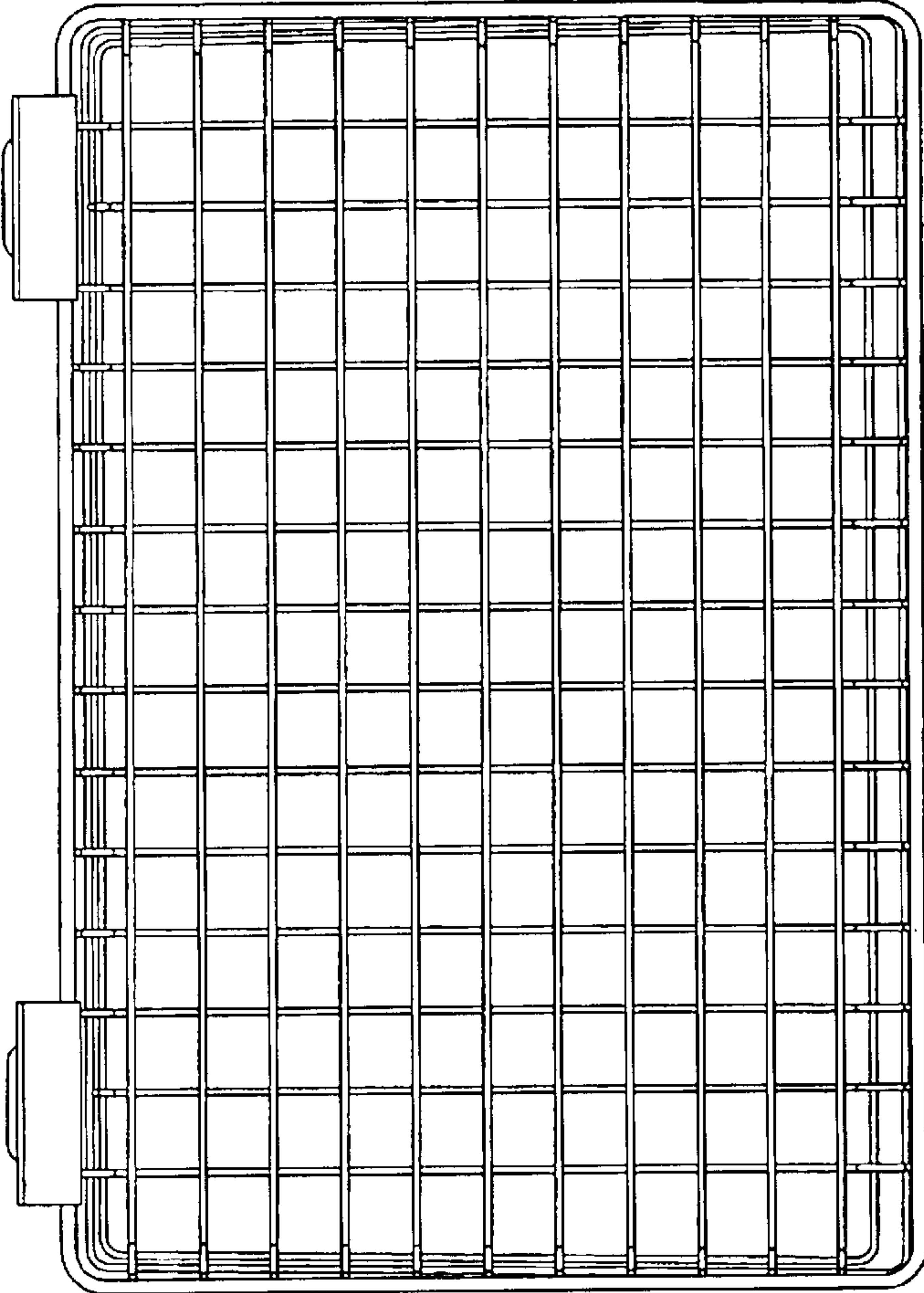


FIGURE 6

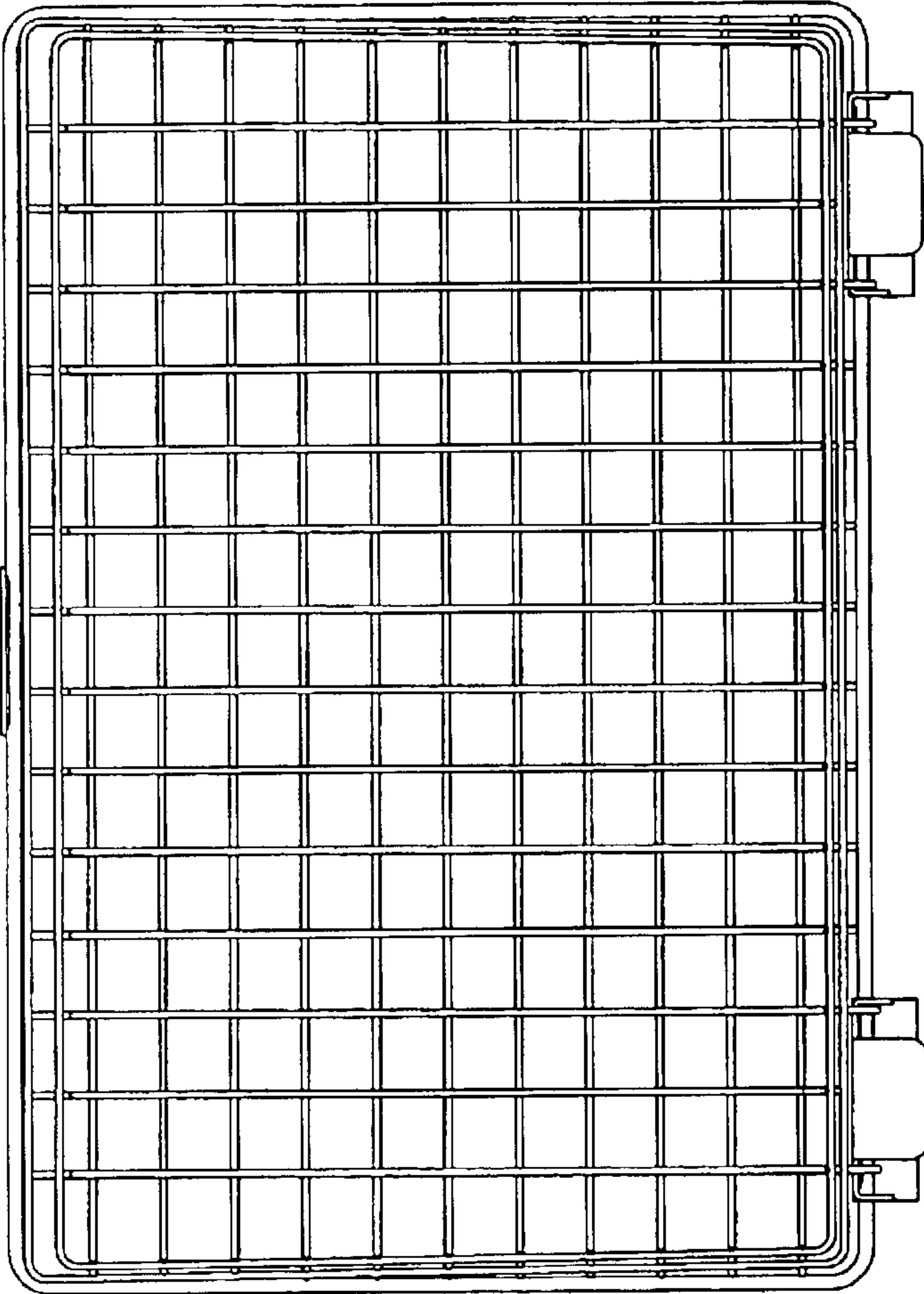


FIGURE 7