

US00D508155S

(12) **United States Design Patent**
Villahoz

(10) **Patent No.:** **US D508,155 S**
(45) **Date of Patent:** **** Aug. 2, 2005**

(54) **COMBINED CONTAINER AND PRODUCT APPLICATOR FOR FLOOR CLEANING**

(76) **Inventor:** **Maria Inmaculada Nieto Villahoz,**
Paseo Ondarreta, 5-2° C, San Sebastián
20018 (ES)

(**) **Term:** **14 Years**

(21) **Appl. No.:** **29/177,199**

(22) **Filed:** **Mar. 5, 2003**

(51) **LOC (8) Cl.** **08-99**

(52) **U.S. Cl.** **D32/45**

(58) **Field of Search** D32/45, 50, 51,
D32/52; 15/115, 119.2, 116.2, 118, 229.3,
229.6, 229.7, 229.8; 401/203, 204, 205,
137, 138, 139, 270, 289

(56) **References Cited**

U.S. PATENT DOCUMENTS

1,454,023	A	*	5/1923	Gale	401/203
1,989,201	A	*	1/1935	Kurtz et al.	401/186
2,472,781	A	*	6/1949	Vosbikian et al.	15/146
2,505,295	A	*	4/1950	Meyers	401/205
D167,620	S	*	9/1952	Cullison	D32/45

2,805,435	A	*	9/1957	Boscarino, Jr.	401/205
2,946,154	A	*	7/1960	Bornemann	47/1.7
3,039,126	A	*	6/1962	Kessler	15/244.1
3,090,985	A	*	5/1963	Baum	15/244.1
D208,530	S	*	9/1967	Hoffman	D32/45
D364,715	S	*	11/1995	Amram et al.	D32/35

* cited by examiner

Primary Examiner—Cynthia E. Ramirez

(74) *Attorney, Agent, or Firm*—Brown & Michaels, PC

(57) **CLAIM**

The ornamental design for a combined container and product applicator for floor cleaning, as shown and described.

DESCRIPTION

FIG. 1 is perspective view of the combined container and product applicator for floor cleaning showing my new design;

FIG. 2 is a side view thereof; and,

FIG. 3 is a front view thereof.

The broken line showing of a handle in the figures is for illustrative purposes only and forms no part of the claimed design.

1 Claim, 2 Drawing Sheets

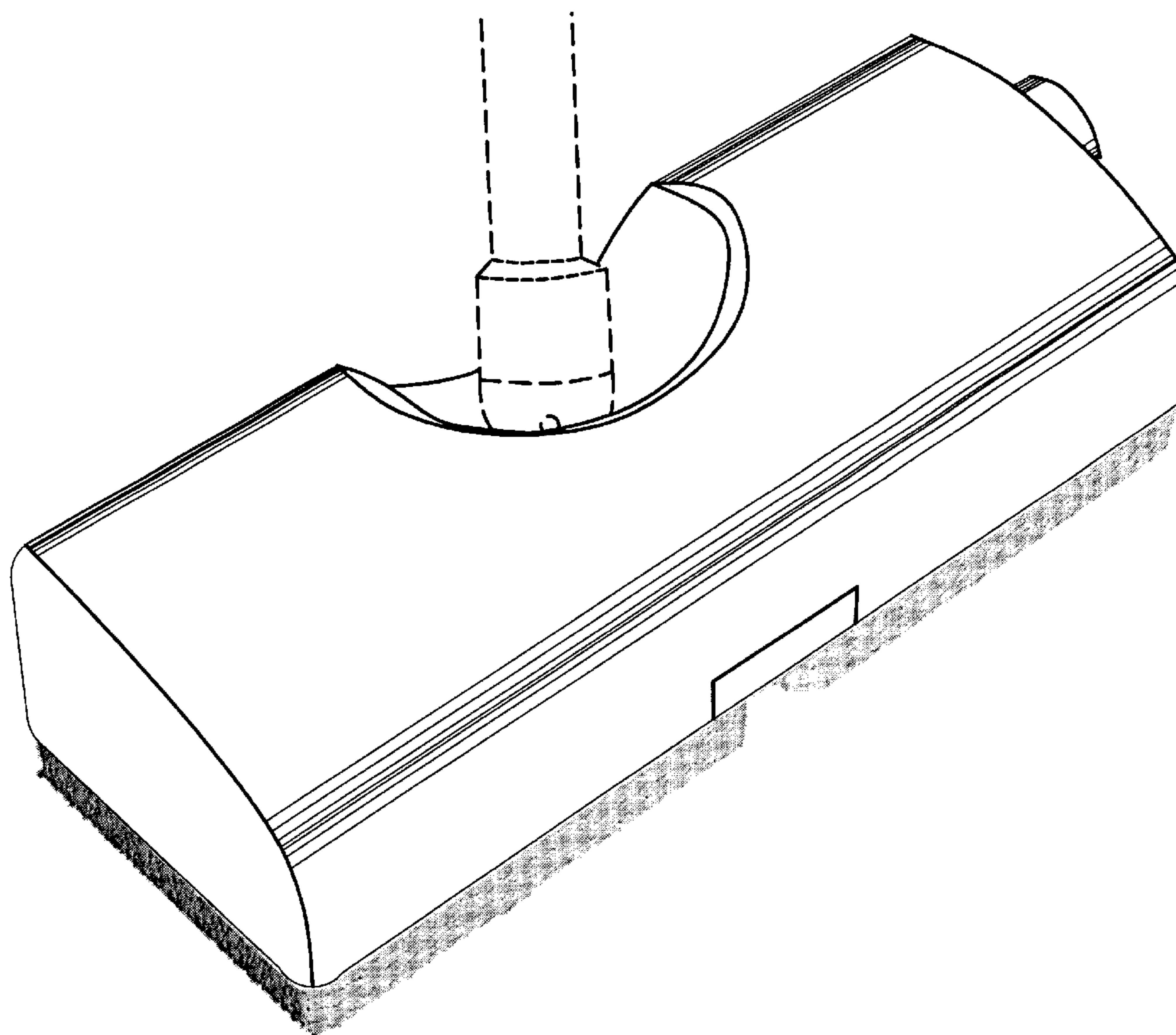


Fig.1

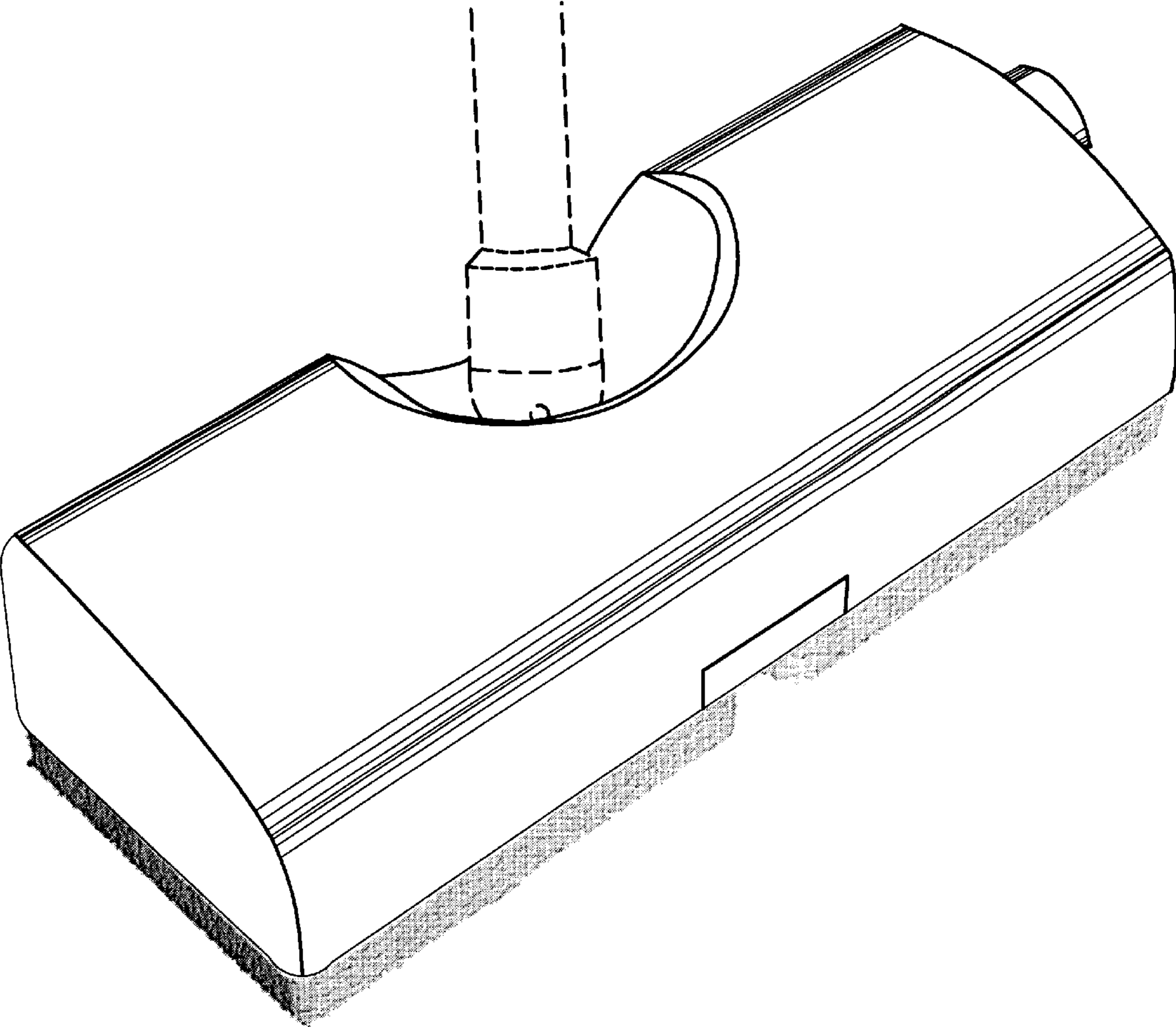


Fig.2

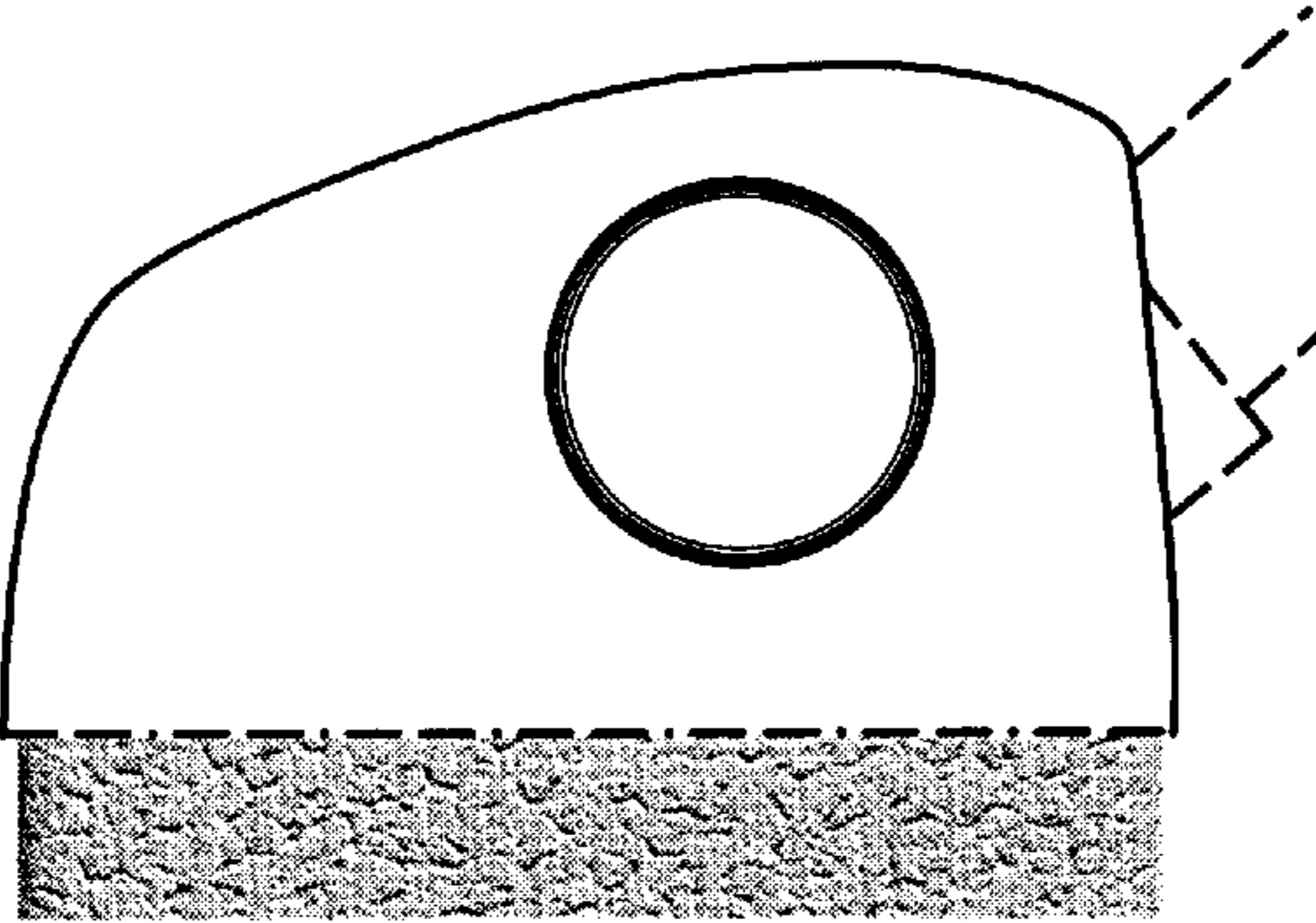


Fig.3

