

US00D508154S

(12) **United States Design Patent**  
**Carr**

(10) **Patent No.:** **US D508,154 S**

(45) **Date of Patent:** **\*\* Aug. 2, 2005**

(54) **CLEANING TOOL**

(75) **Inventor:** **Adam G. Carr**, Grand Rapids, MI (US)

(73) **Assignee:** **Bissell Homecare, Inc.**, Grand Rapids, MI (US)

(\*\*) **Term:** **14 Years**

(21) **Appl. No.:** **29/199,670**

(22) **Filed:** **Feb. 18, 2004**

(51) **LOC (8) Cl.** ..... **15-15**

(52) **U.S. Cl.** ..... **D32/32**

(58) **Field of Search** ..... D32/17-18, 31-34,  
D32/21-22, 38-39; D30/158; 15/415.1-422.1,  
322, 329, 350, 352, 361, 375, 387, 396,  
400, 410, 412, 414, 41.1

(56) **References Cited**

**U.S. PATENT DOCUMENTS**

D189,778 S	2/1961	Guild	
3,044,100 A	7/1962	Zaidan	
3,849,823 A	11/1974	Adamson et al.	
D266,707 S	* 10/1982	Bunyea	D32/33
D274,150 S	6/1984	Hoesch	
4,554,702 A	11/1985	Kochte et al.	
D290,418 S	* 6/1987	Strohmeyer	D32/32
D306,789 S	* 3/1990	Worwag	D32/33
D313,831 S	1/1991	Gildersleeve	
D326,938 S	6/1992	Burns	
5,351,362 A	* 10/1994	Kramer et al.	15/387
D370,097 S	* 5/1996	Griffin et al.	D32/33
D393,113 S	3/1998	Essex et al.	

D419,733 S	1/2000	Medema	
D427,398 S	* 6/2000	Worwag	D32/32
D443,741 S	* 6/2001	Parr et al.	D32/32
6,513,190 B1	* 2/2003	Allgeier et al.	15/387
D476,121 S	* 6/2003	Hammond	D32/32
D487,828 S	* 3/2004	Iike et al.	D32/32
D495,456 S	* 8/2004	Ågren et al.	D32/22

\* cited by examiner

*Primary Examiner*—Ruth McInroy

(74) *Attorney, Agent, or Firm*—McGarry Bair PC

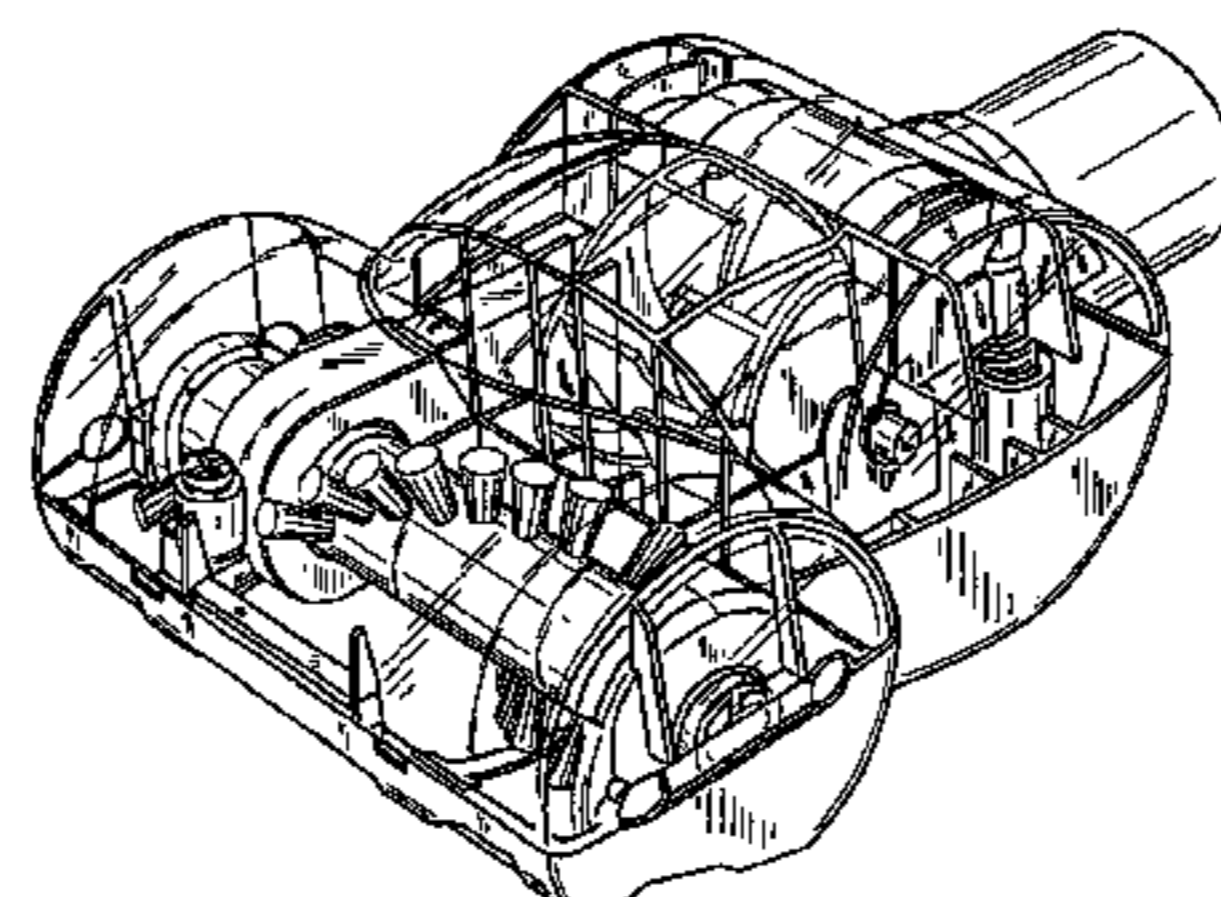
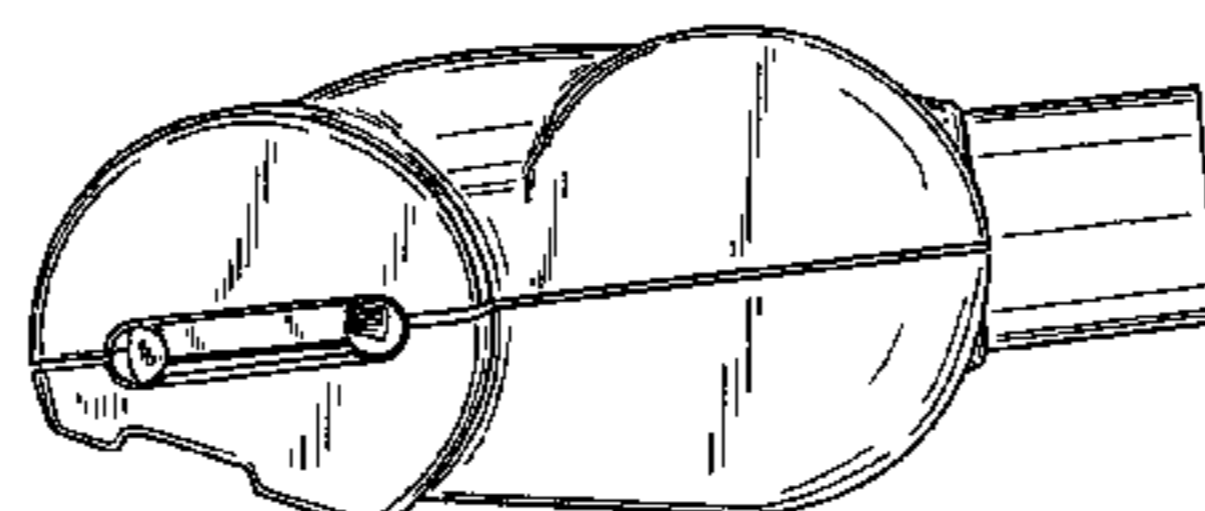
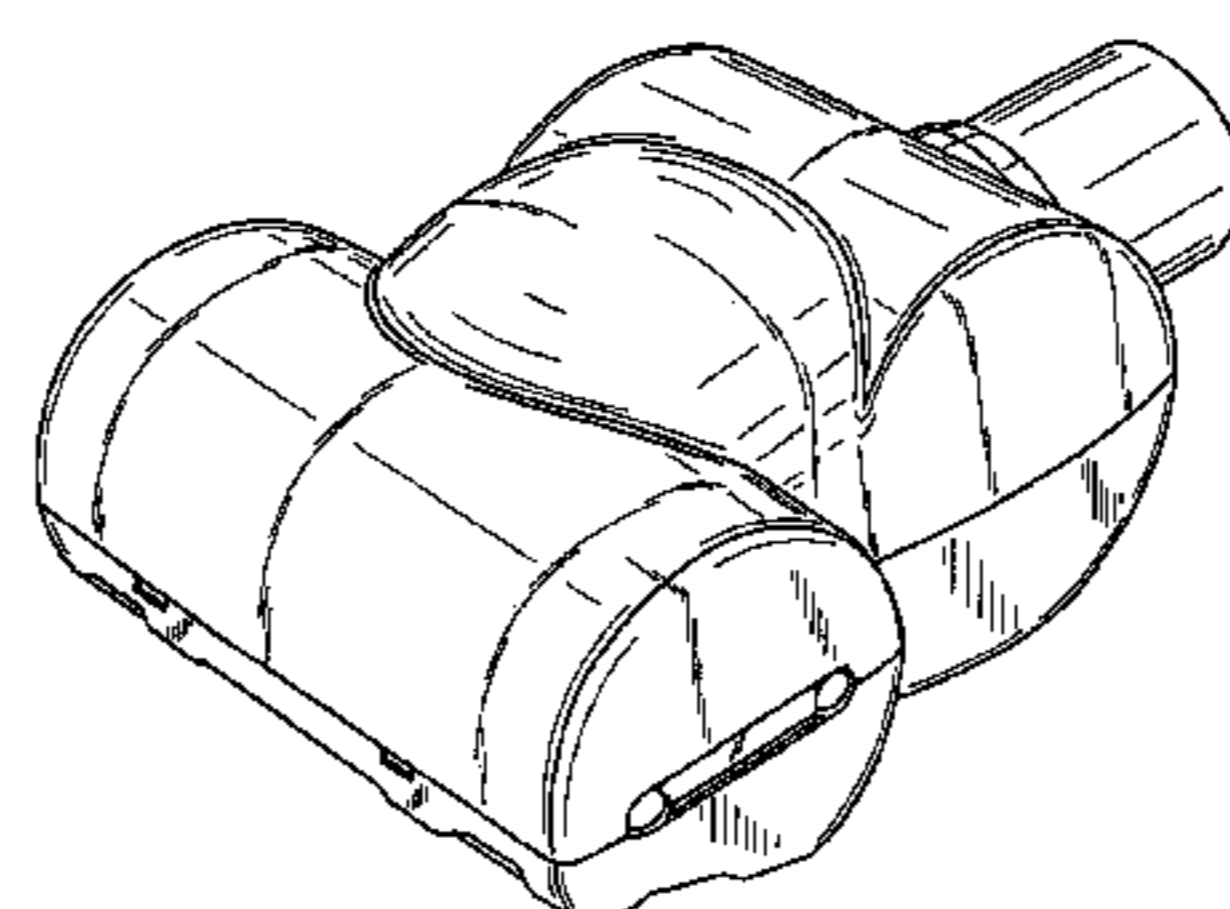
(57) **CLAIM**

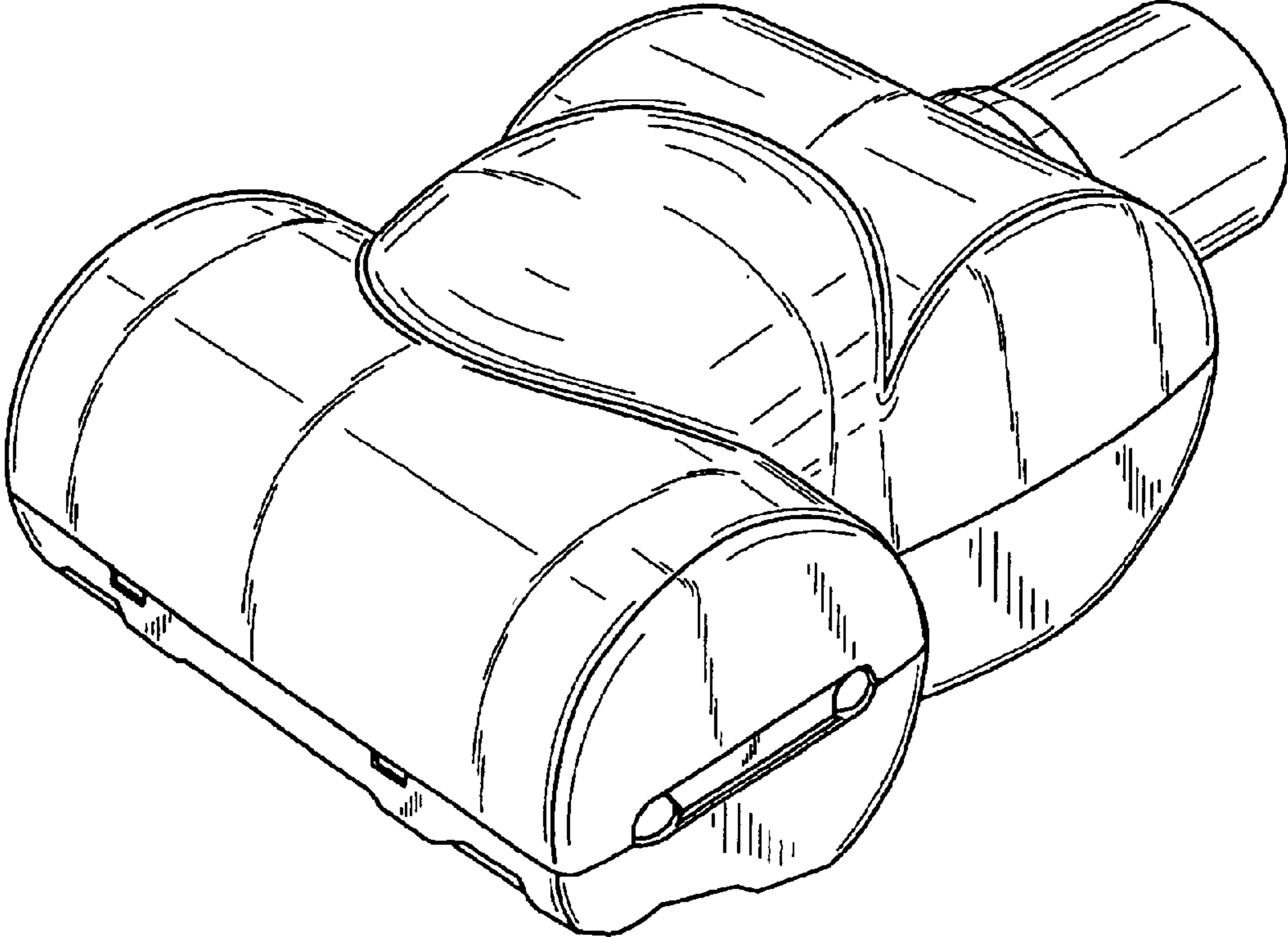
The ornamental design for a cleaning tool, as shown and described.

**DESCRIPTION**

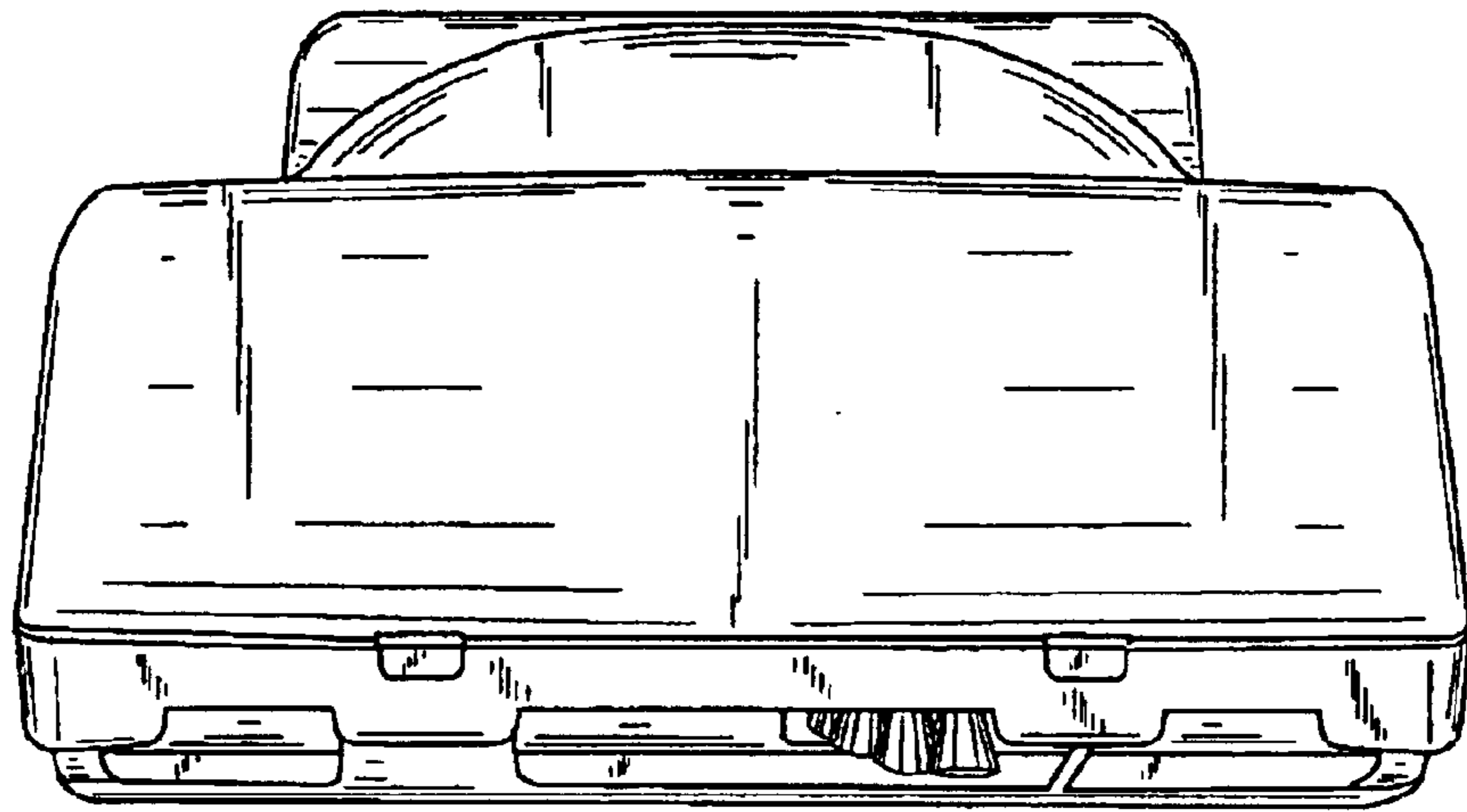
FIG. 1 is a perspective view of a cleaning tool which embodies a first embodiment of our design;  
 FIG. 2 is a front view thereof;  
 FIG. 3 is a rear view thereof;  
 FIG. 4 is a left side view thereof;  
 FIG. 5 is a right side view thereof;  
 FIG. 6 is a top view thereof;  
 FIG. 7 is a bottom view thereof;  
 FIG. 8 is a perspective view of a cleaning tool which embodies a second embodiment of our design;  
 FIG. 9 is a front view thereof;  
 FIG. 10 is a rear view thereof;  
 FIG. 11 is a left side view thereof;  
 FIG. 12 is a right side view thereof;  
 FIG. 13 is a top view thereof; and,  
 FIG. 14 is a bottom view thereof.

**1 Claim, 8 Drawing Sheets**

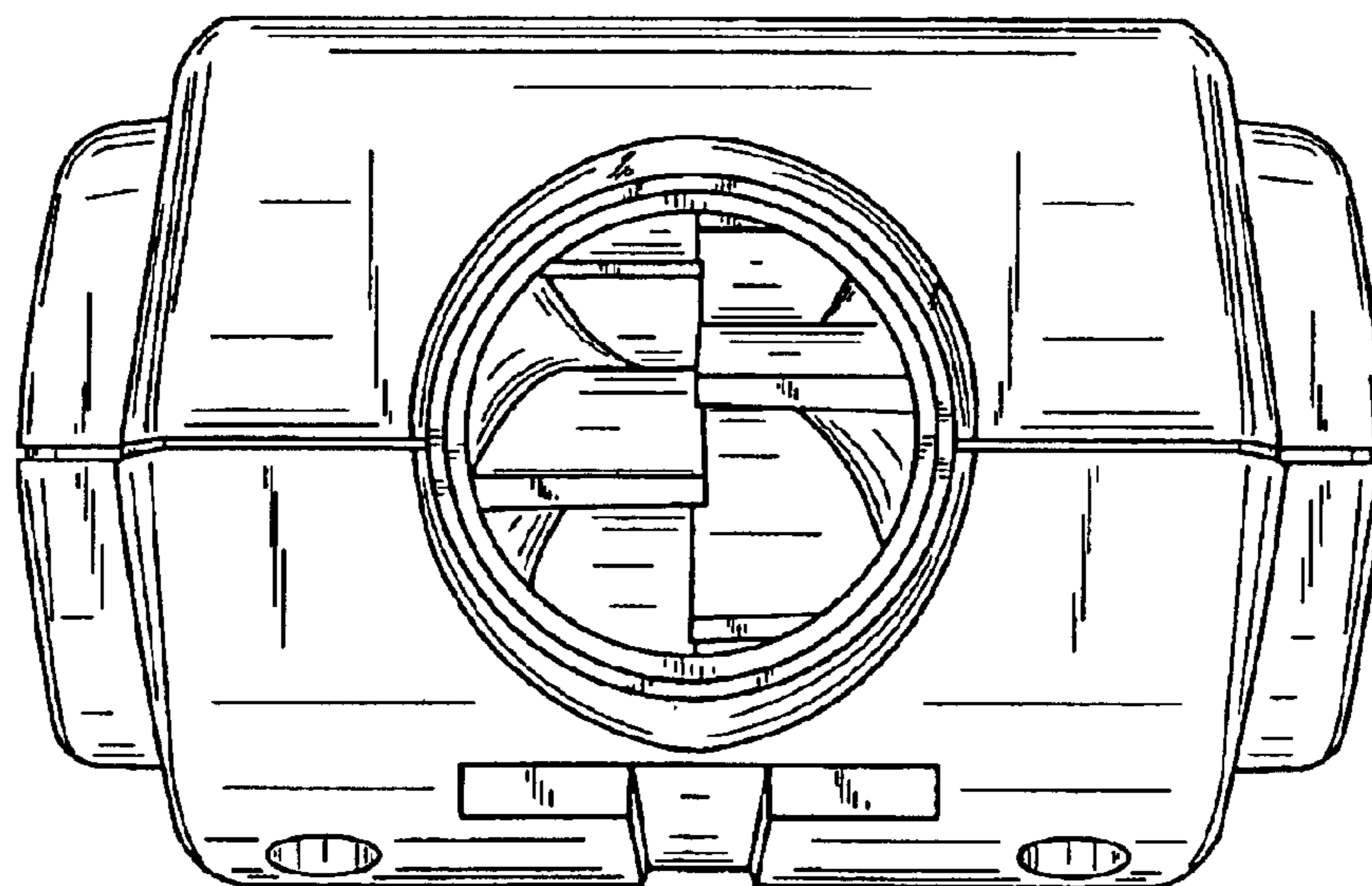




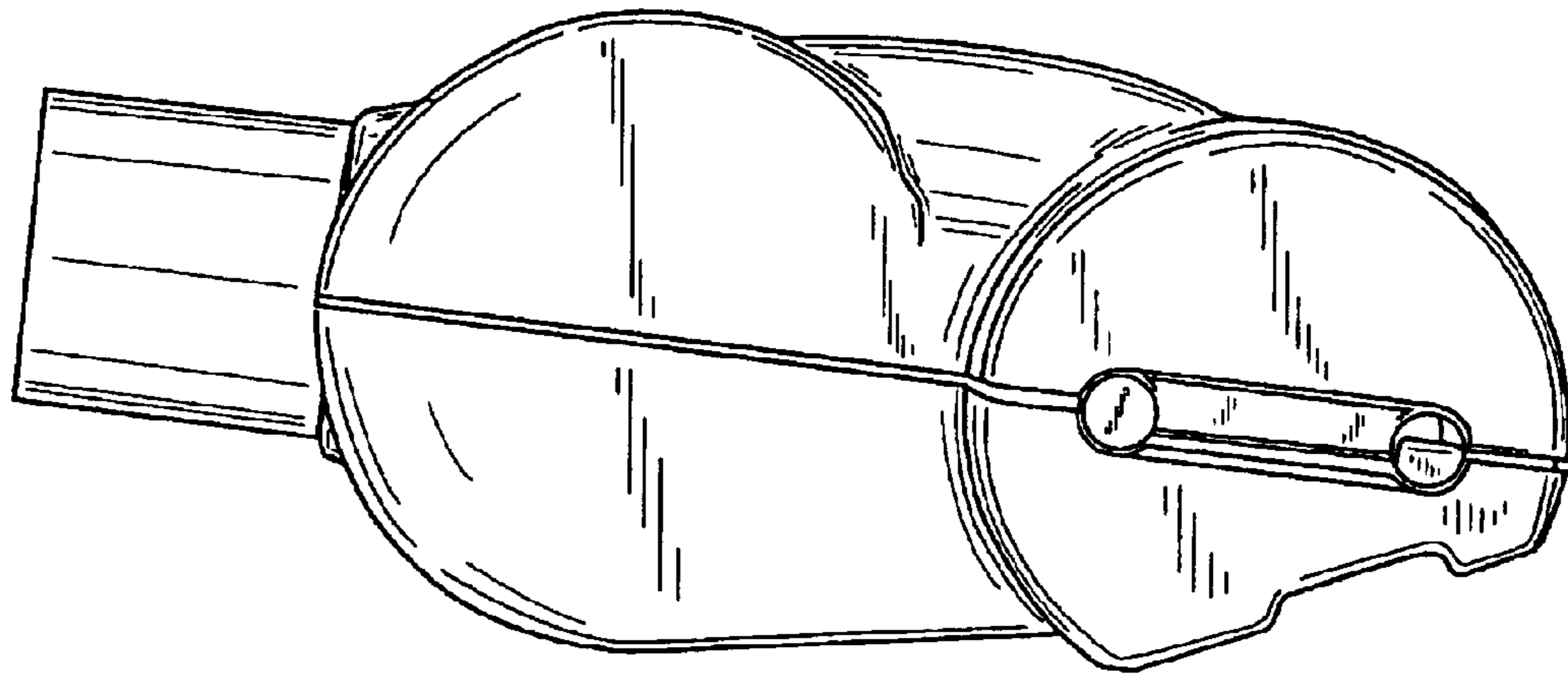
**Fig. 1**



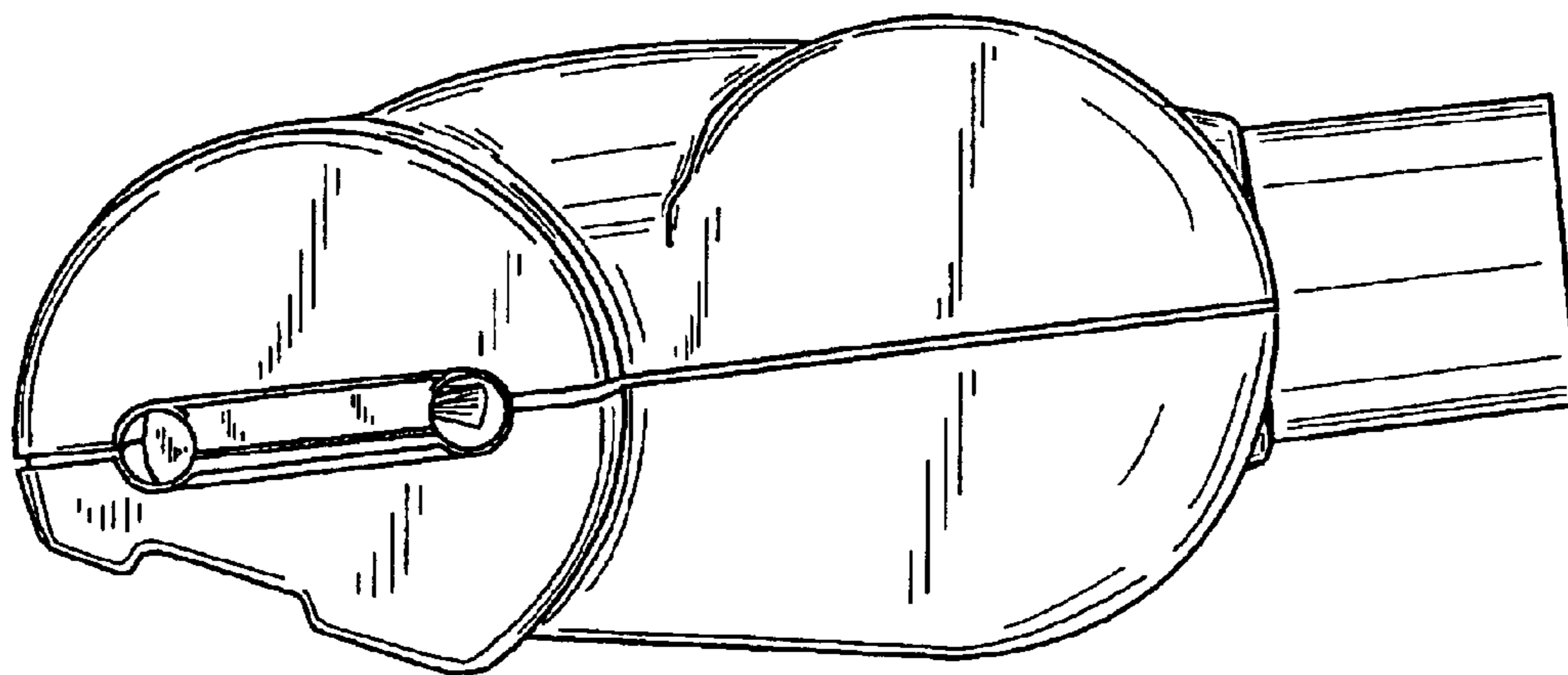
**Fig. 2**



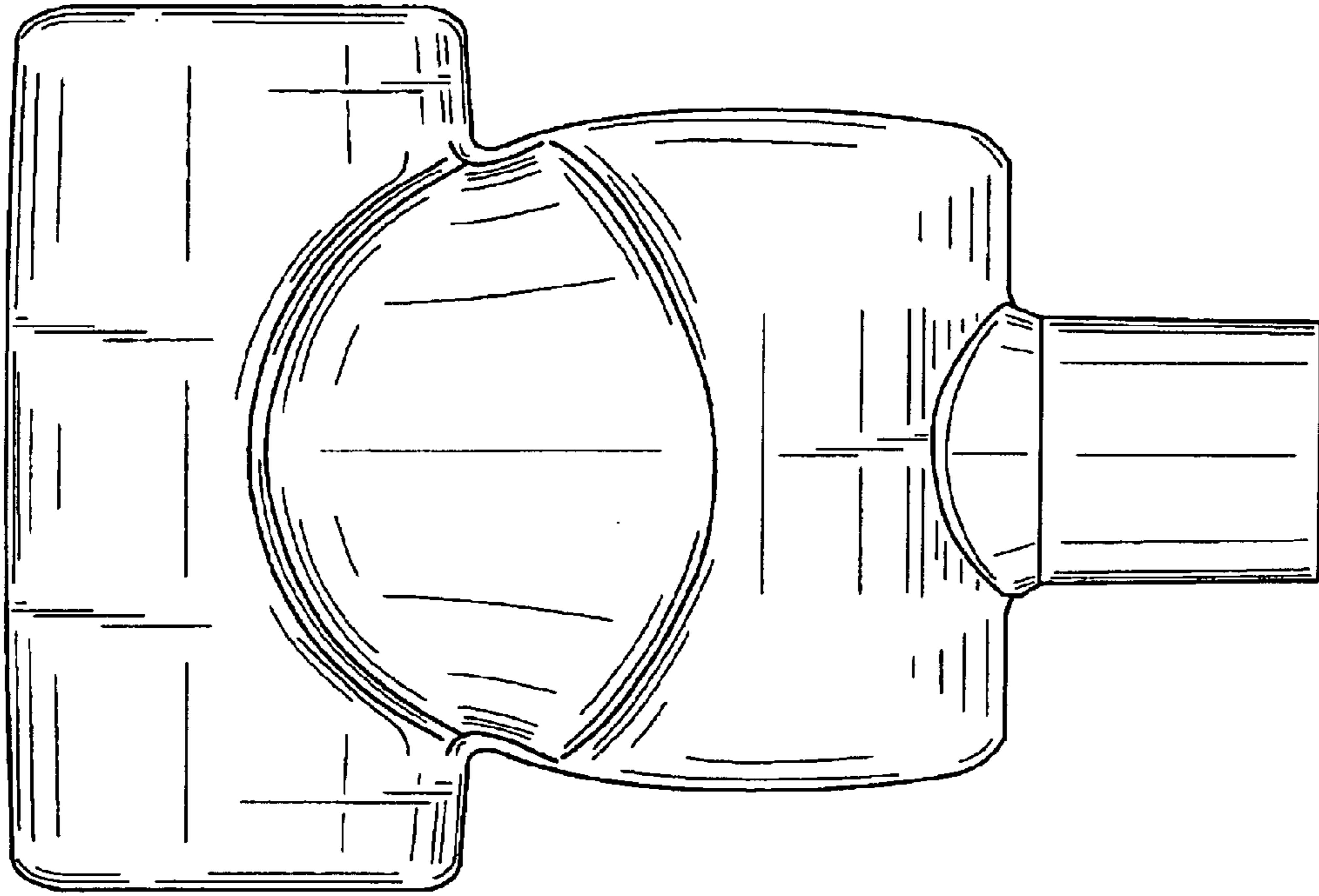
**Fig. 3**



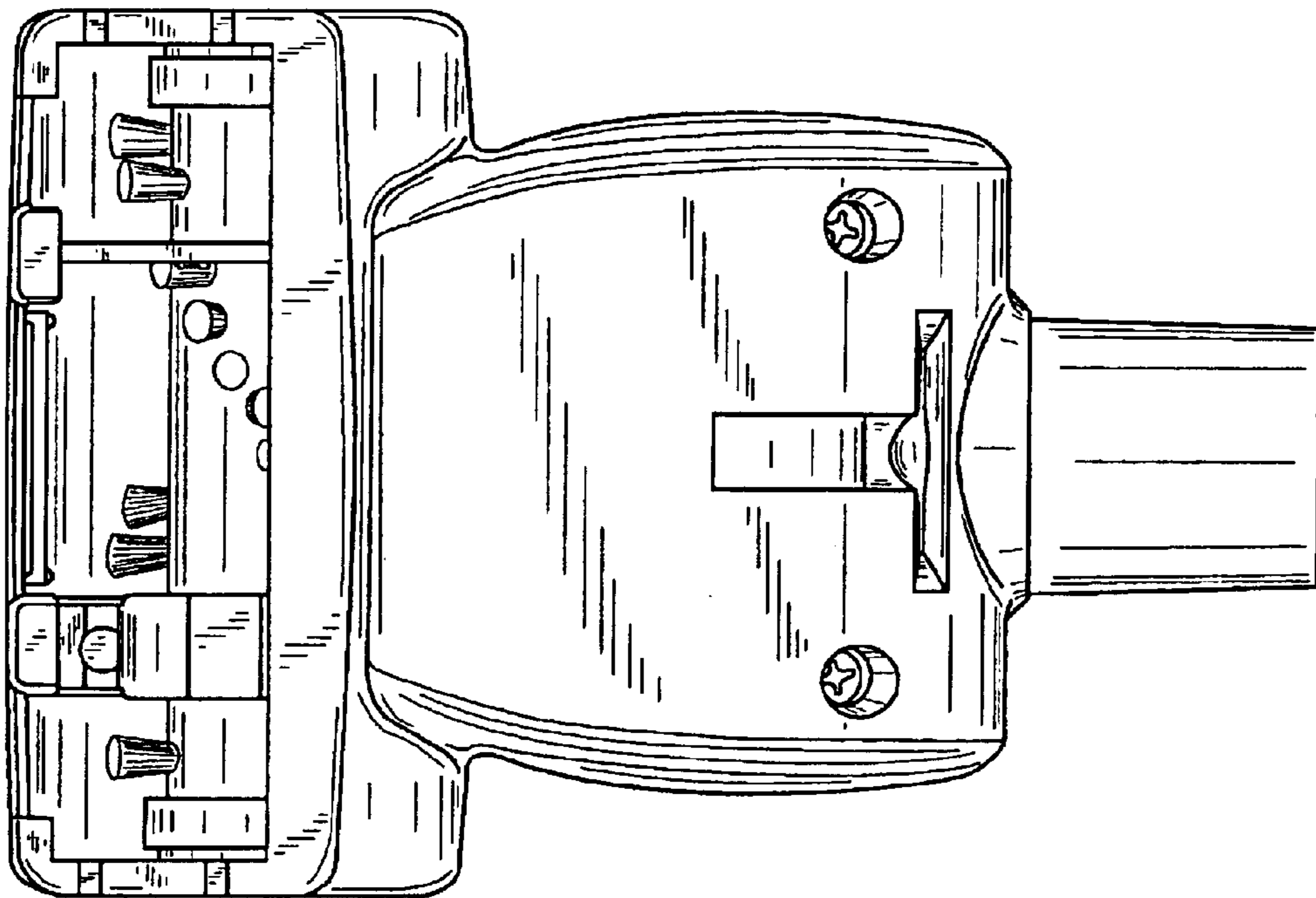
**Fig. 4**



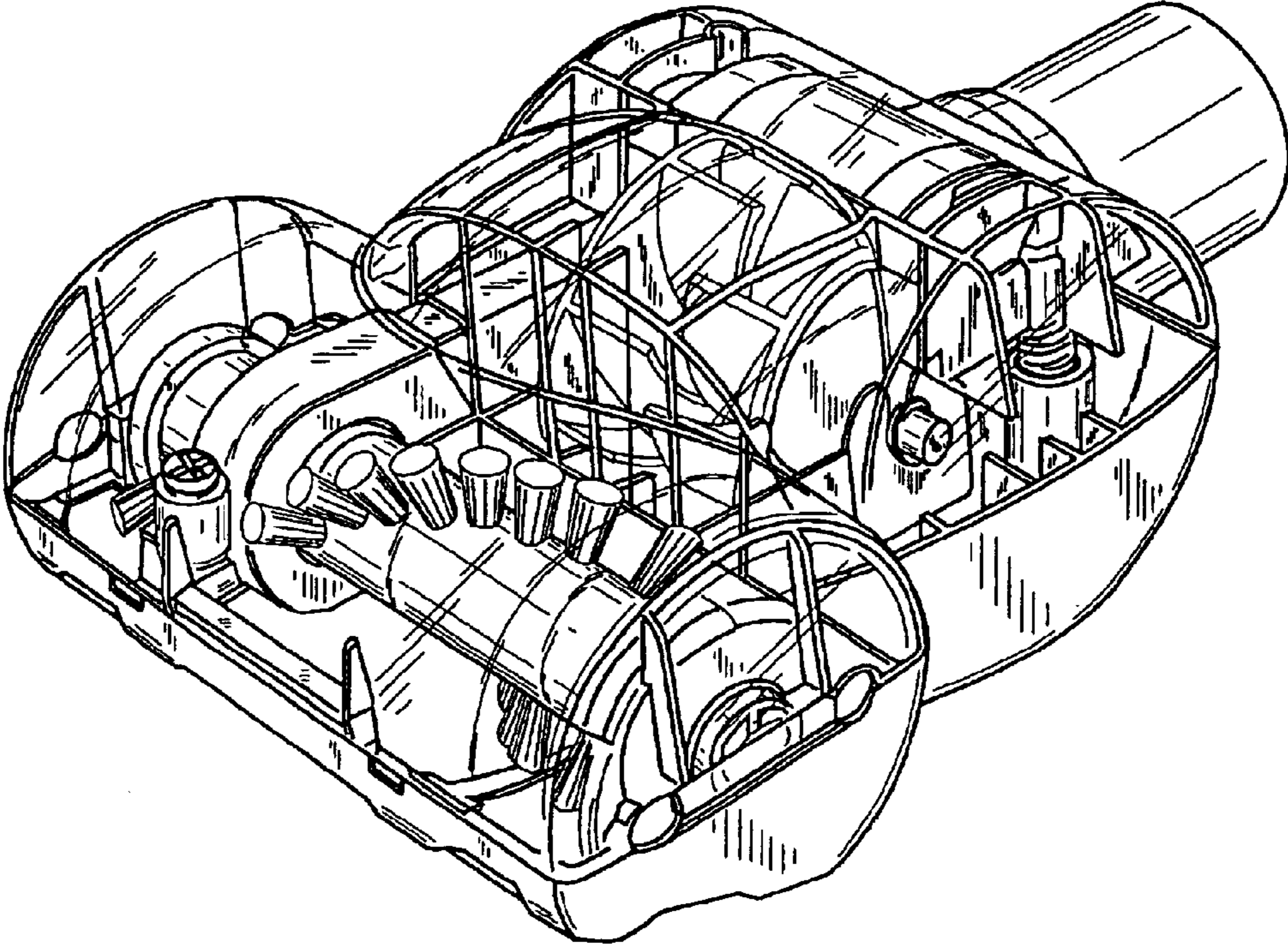
**Fig. 5**



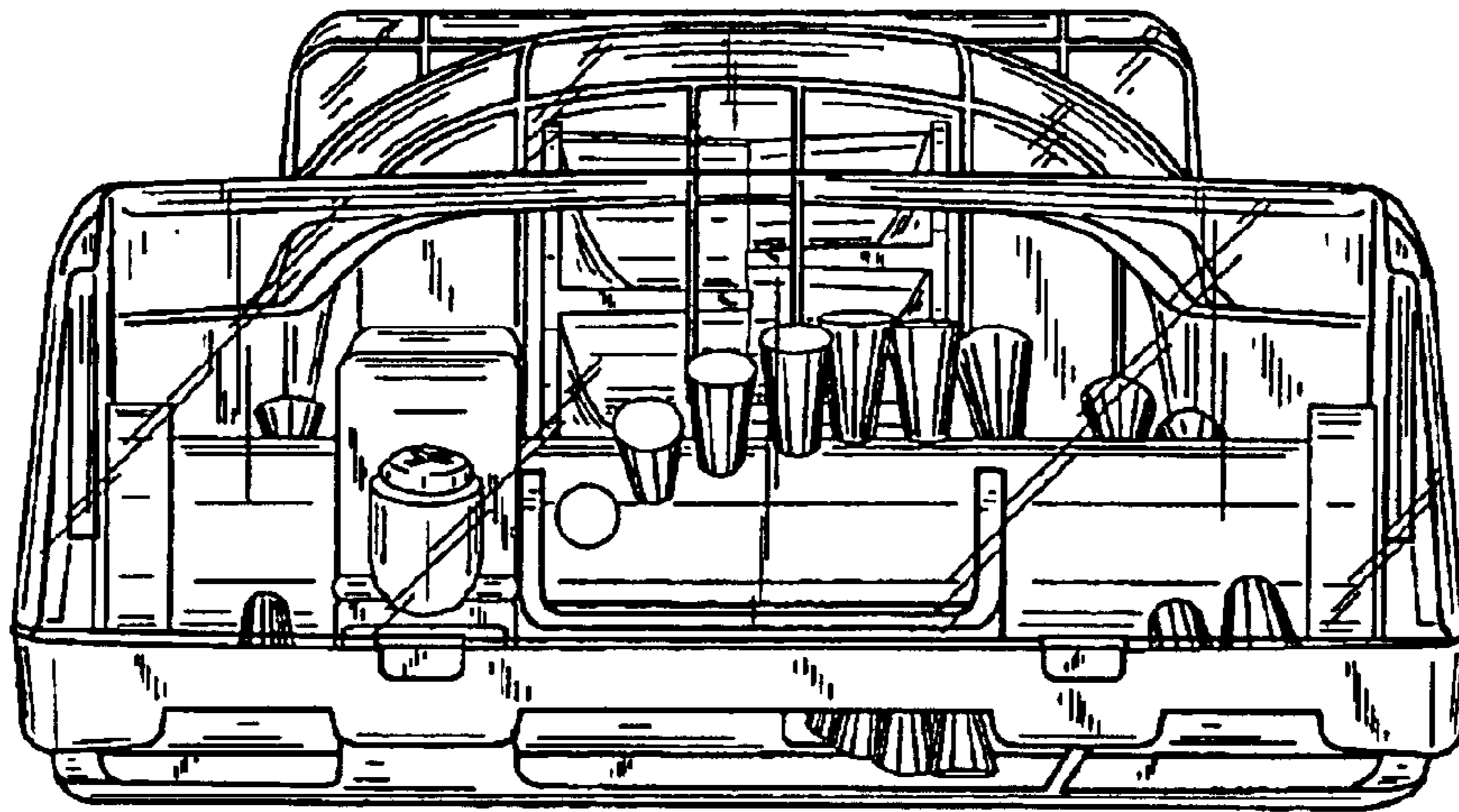
**Fig. 6**



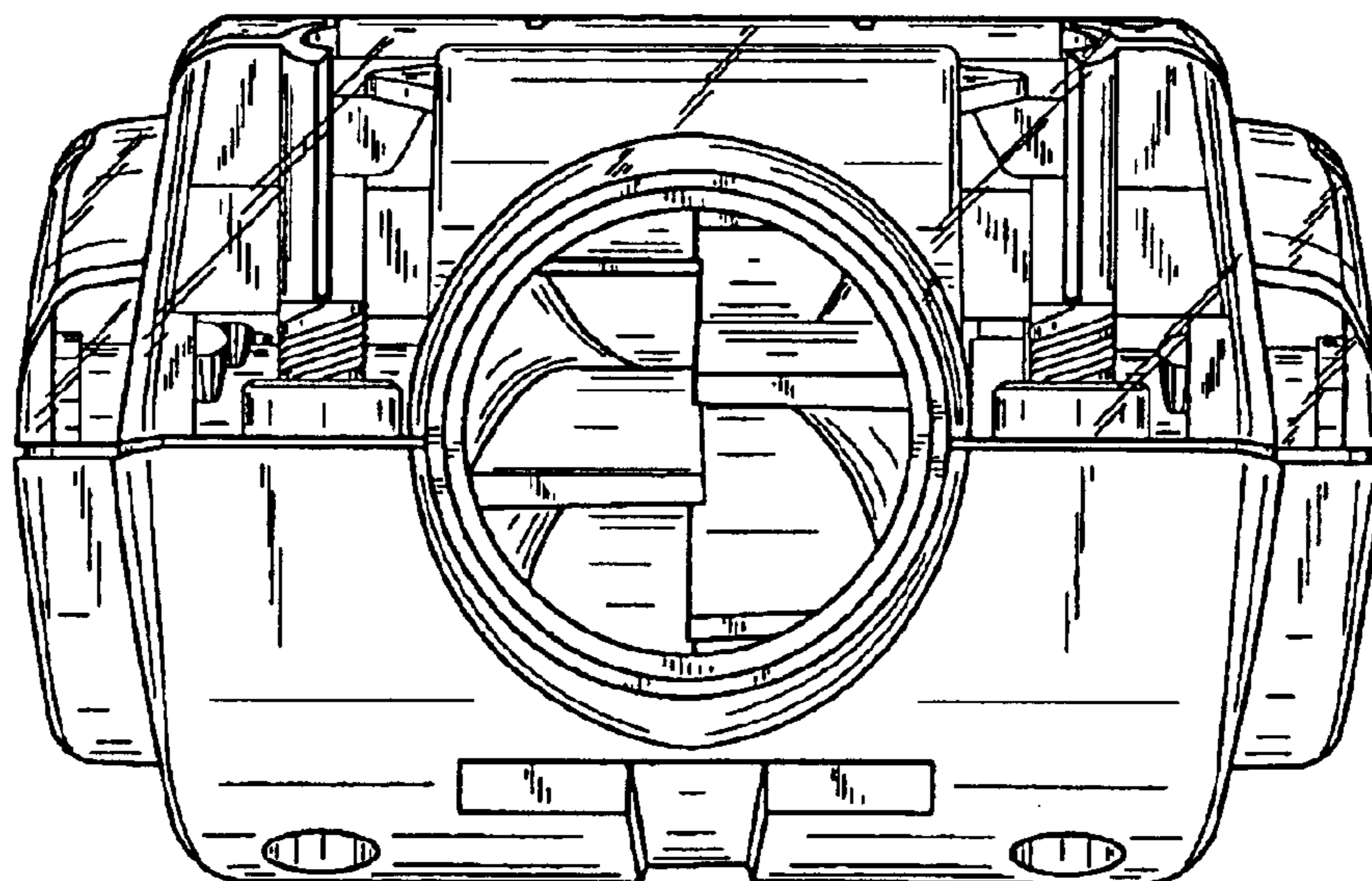
**Fig. 7**



**Fig. 8**



**Fig. 9**



**Fig. 10**

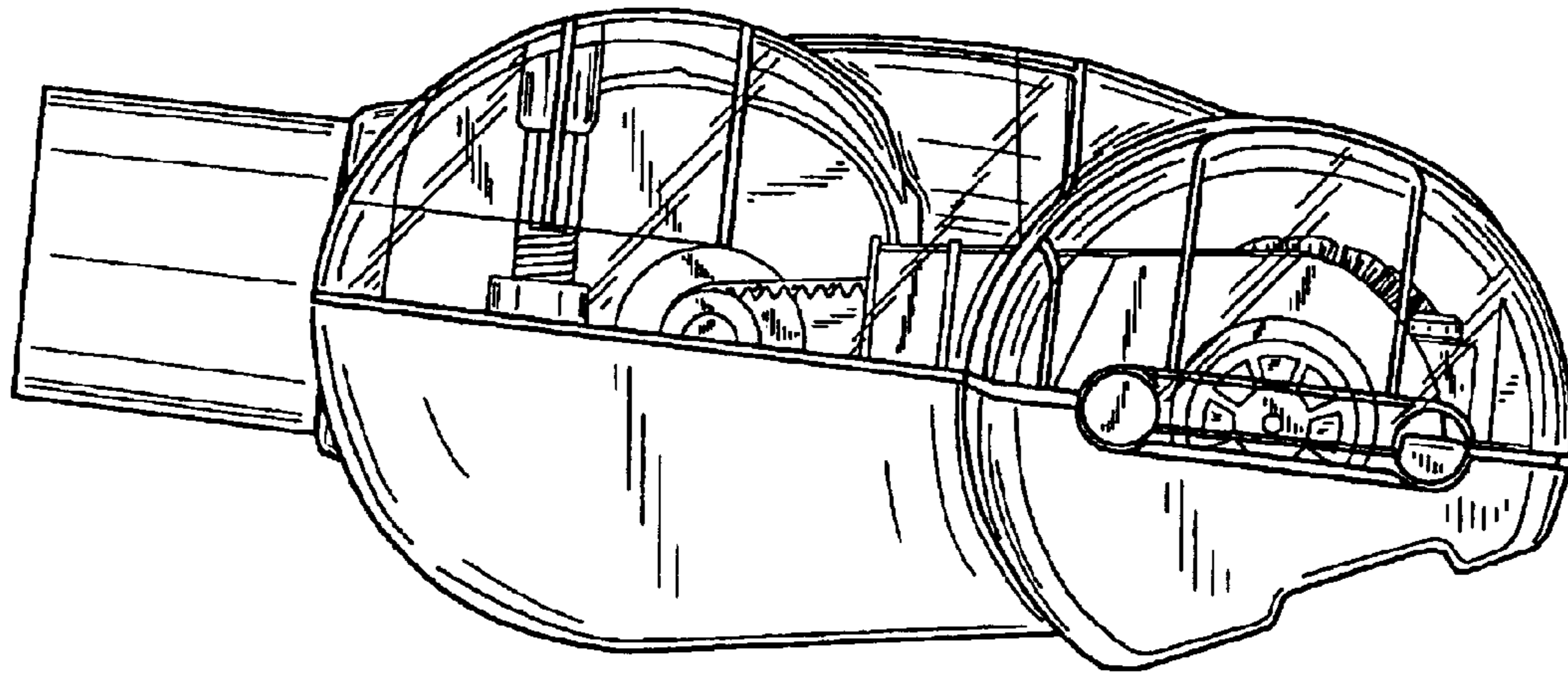


Fig. 11

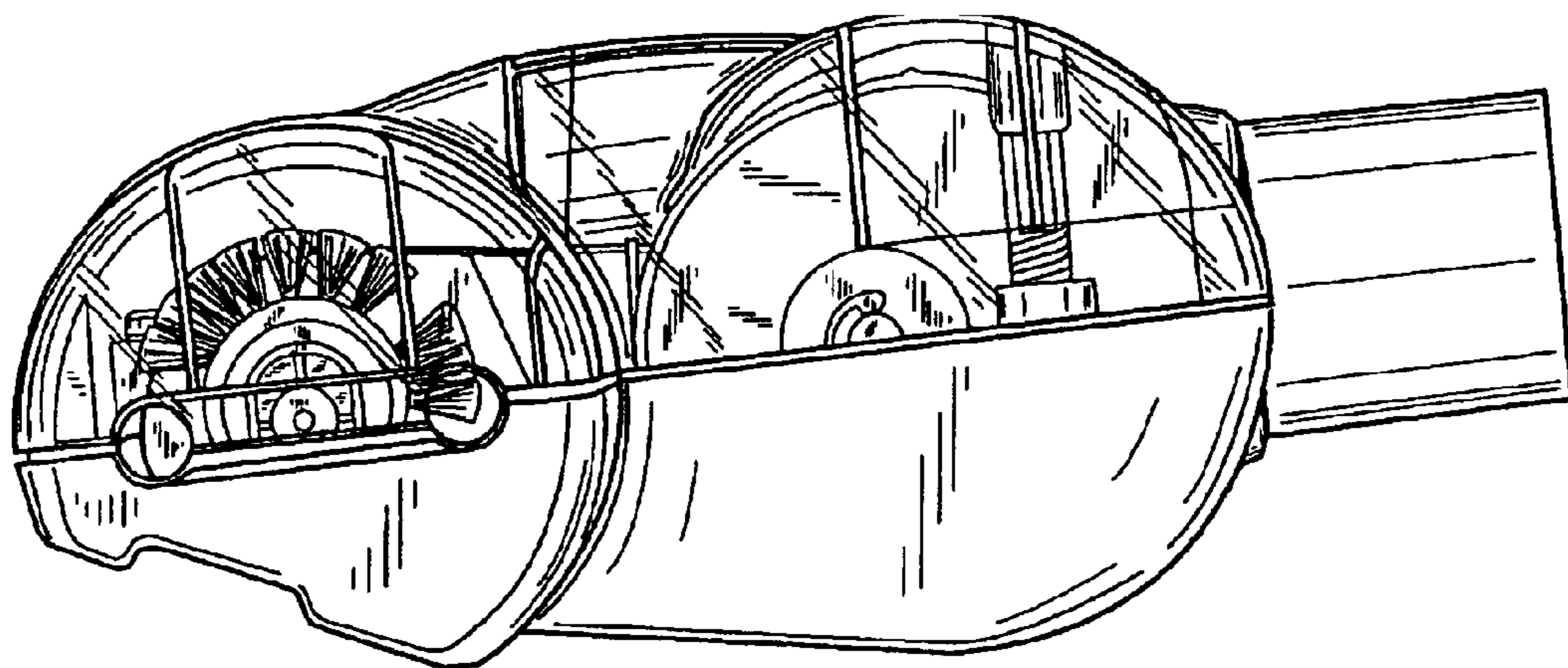


Fig. 12



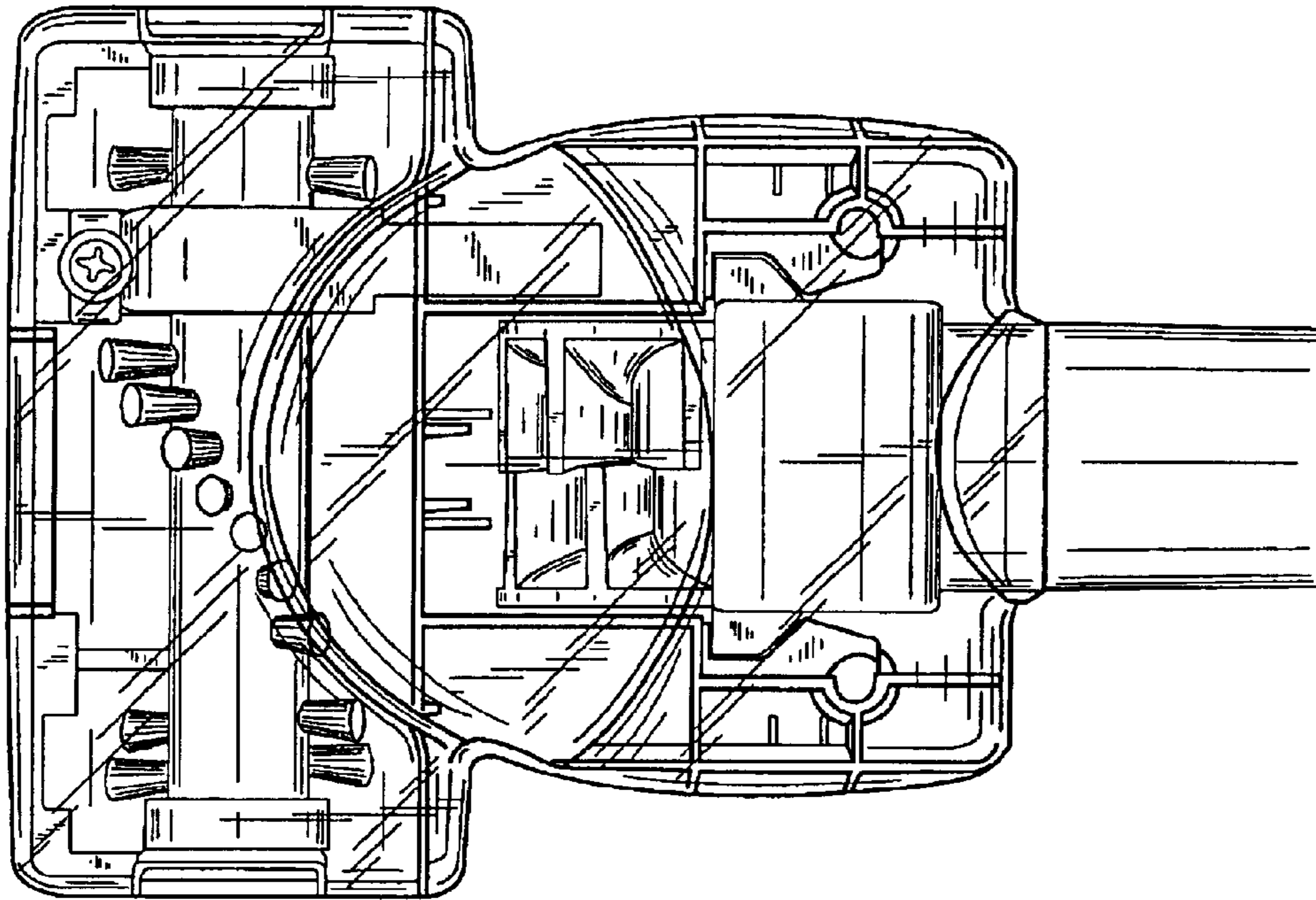


Fig. 13

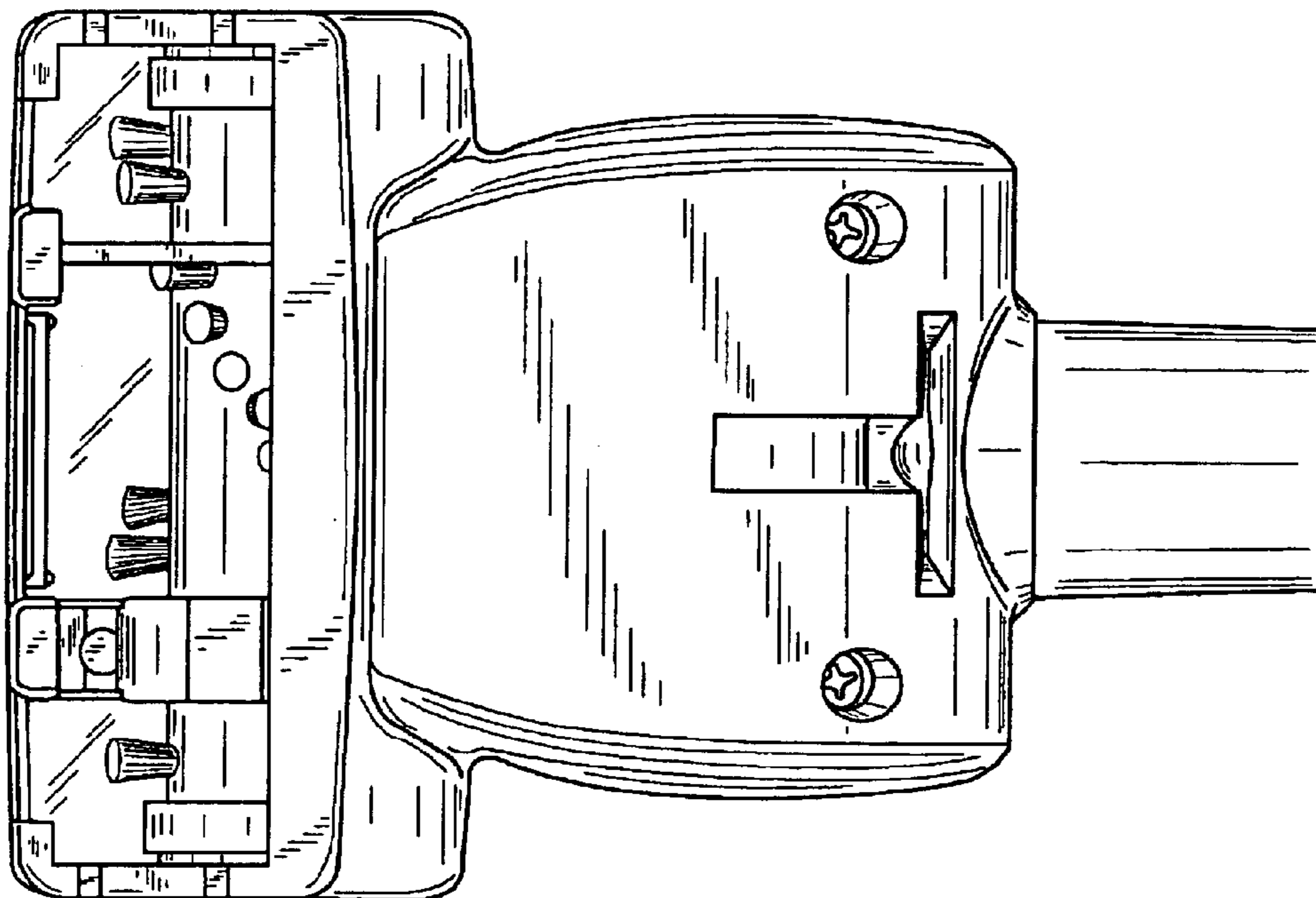


Fig. 14