

US00D508148S

(12) **United States Design Patent**  
**Nudo**

(10) **Patent No.:** **US D508,148 S**  
(45) **Date of Patent:** **\*\* Aug. 2, 2005**

- (54) **DENTAL CLEANING TOOL**
- (76) **Inventor:** **Alexander S. Nudo**, 1725 Wiggins Ave., Springfield, IL (US) 62704
- (\*\*) **Term:** **14 Years**
- (21) **Appl. No.:** **29/173,845**
- (22) **Filed:** **Jan. 8, 2003**
- (51) **LOC (8) Cl.** ..... **28-03**
- (52) **U.S. Cl.** ..... **D28/68**
- (58) **Field of Search** ..... D28/65, 66, 68; 132/321-329; D24/152; 433/141, 146, 147

5,647,385 A	7/1997	Zebuhr	
5,749,380 A	5/1998	Zebuhr	
5,769,102 A	6/1998	Zebuhr	
5,860,435 A	1/1999	Hippensteel	
D413,695 S	* 9/1999	Bitz	..... D28/66
6,006,762 A	12/1999	Hsia	
6,047,712 A	4/2000	Blades	
6,123,087 A	* 9/2000	Jang	..... 132/325
6,131,586 A	10/2000	Flanagan	
6,189,545 B1	2/2001	Tamez	
6,220,256 B1	4/2001	Dolan et al.	
6,363,949 B1	4/2002	Brown	

\* cited by examiner

*Primary Examiner*—Lucy Lieberman

(56) **References Cited**

**U.S. PATENT DOCUMENTS**

3,311,116 A	*	3/1967	Foster	.....	132/326
D237,086 S	*	10/1975	Gore	.....	D28/68
D285,368 S	*	8/1986	Morin et al.	.....	D28/68
5,052,420 A	*	10/1991	Chen	.....	132/325
5,246,022 A		9/1993	Israel et al.		
5,279,314 A		1/1994	Poulos et al.		
5,375,615 A		12/1994	Wahlstrom		
5,415,187 A		5/1995	Heneveld		
5,560,378 A	*	10/1996	Tiphonnet	.....	132/325
5,566,872 A		10/1996	Dolan et al.		
5,607,050 A		3/1997	Dolan et al.		

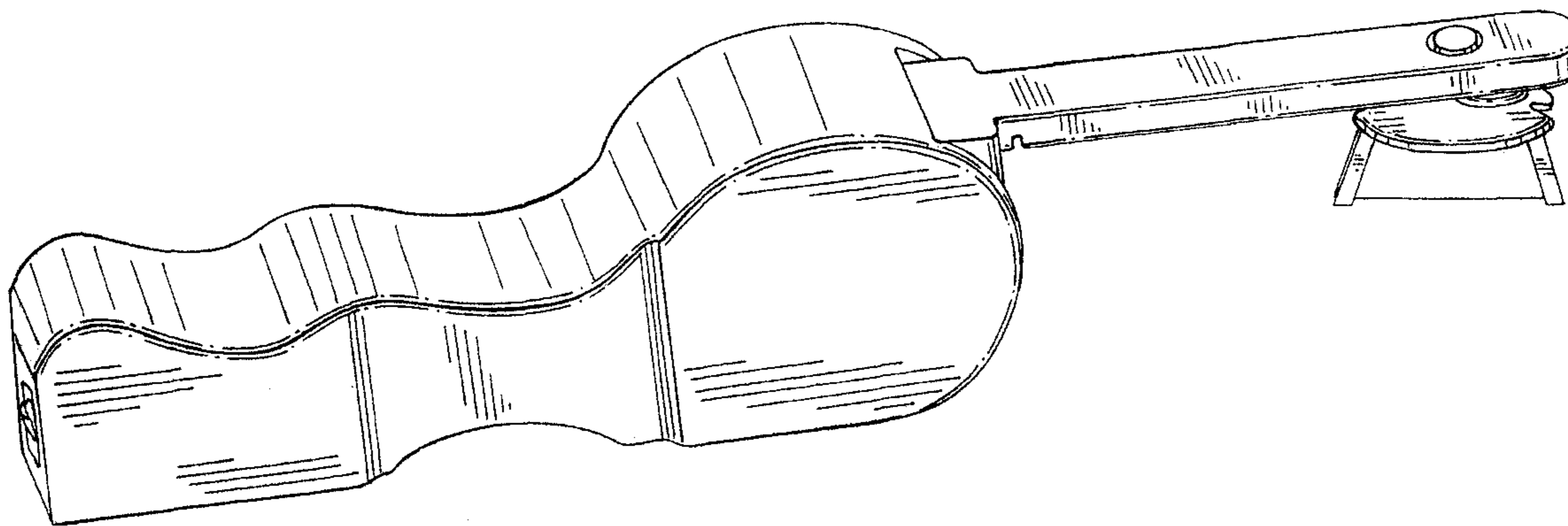
(57) **CLAIM**

The ornamental design for a dental cleaning tool, as shown and described.

**DESCRIPTION**

FIG. 1 is a front and top perspective view of a dental cleaning tool showing my new design in a closed position. FIG. 2 is a front and top perspective view of the dental cleaning tool shown in an open position; and, FIG. 3 is a bottom and rear perspective view of the dental cleaning tool shown in a closed position.

**1 Claim, 3 Drawing Sheets**



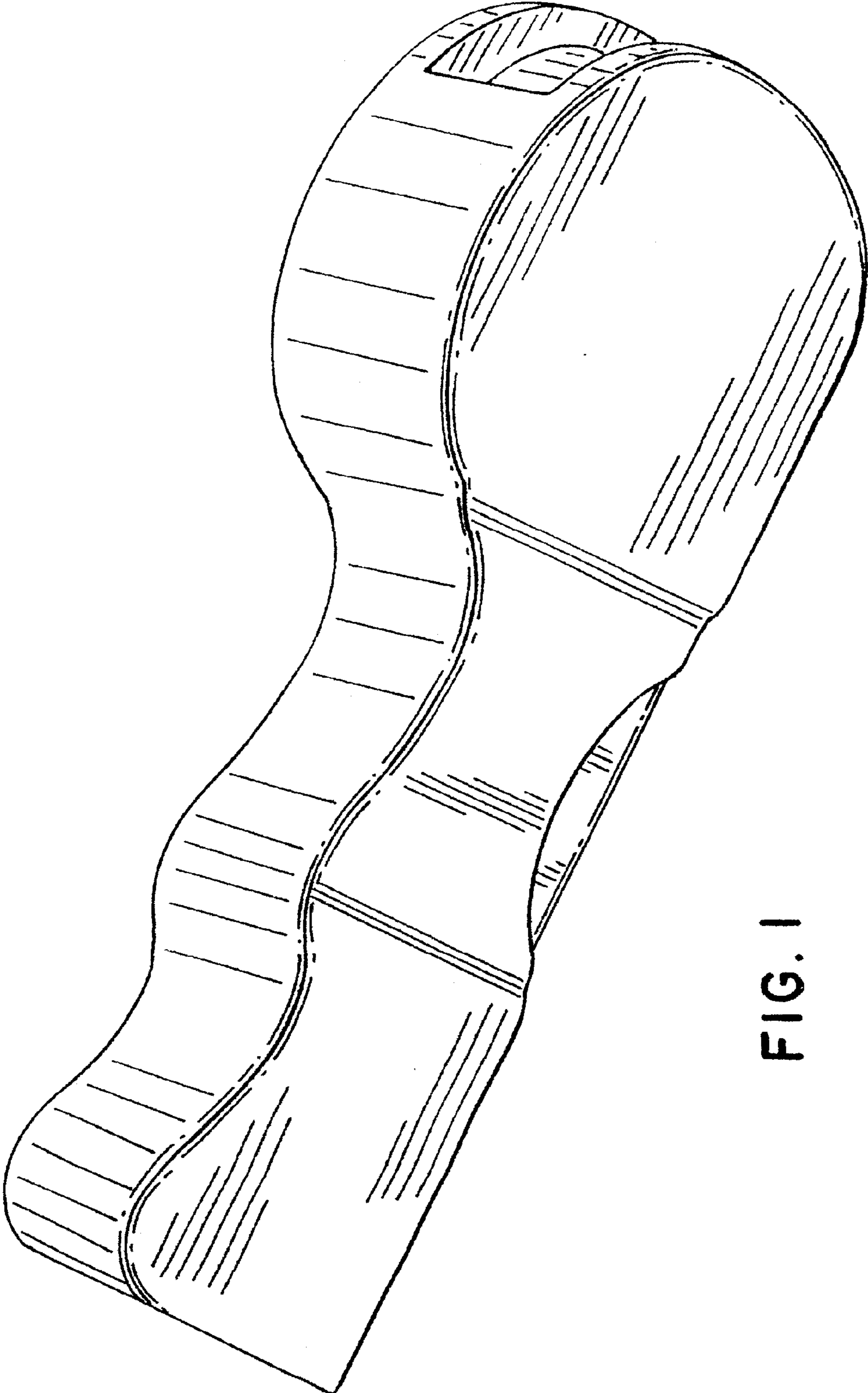


FIG. 1

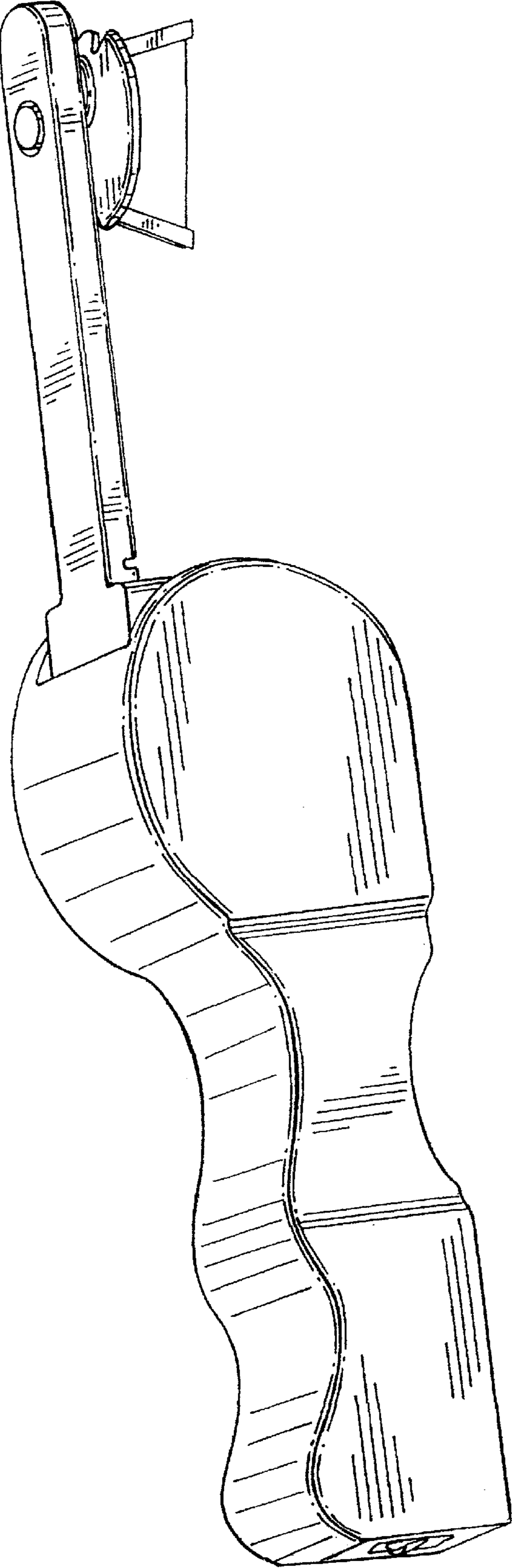


FIG. 2

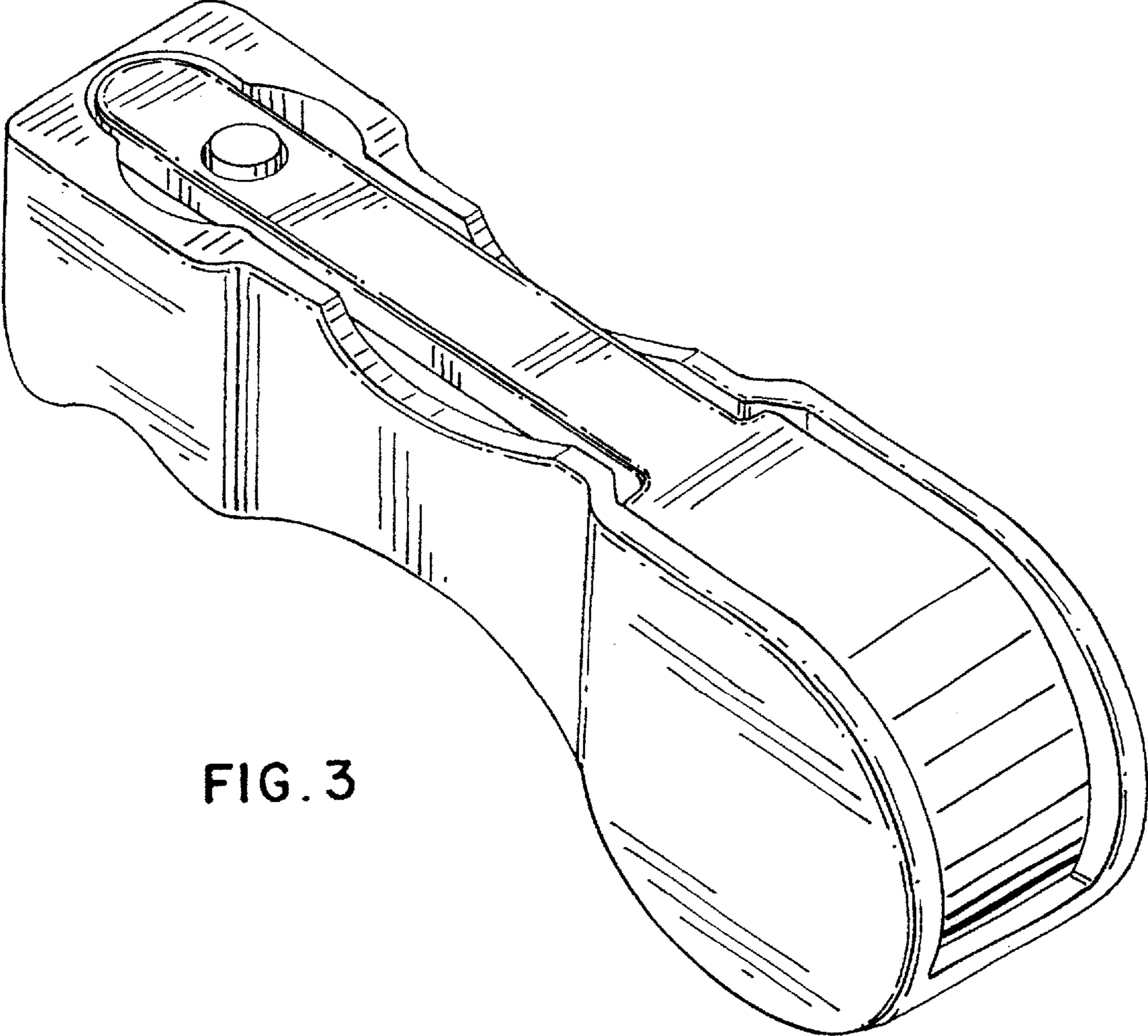


FIG. 3