

US00D508141S

(12) **United States Design Patent**
Rashidi

(10) **Patent No.:** **US D508,141 S**

(45) **Date of Patent:** **** Aug. 2, 2005**

(54) **ENCLOSED ORNATE FROSTED DROP OPAL LENS TRIM**

Primary Examiner—Clare E Heflin

(74) *Attorney, Agent, or Firm*—Thomas I. Rozsa; Tony D. Chen

(76) **Inventor:** **Hamid Rashidi**, 139 N. Clark Dr., Beverly Hills, CA (US) 90211

(**) **Term:** **14 Years**

(57) **CLAIM**

The Ornamental design for an enclosed ornate frosted drop opal lens trim, as shown and described.

(21) **Appl. No.:** **29/208,297**

(22) **Filed:** **Jun. 24, 2004**

DESCRIPTION

(51) **LOC (8) Cl.** **26-05**

(52) **U.S. Cl.** **D26/74; D26/120**

(58) **Field of Search** D26/74, 118, 120, D26/122–124; 362/147, 296, 300, 235, 301, 307, 310, 311, 347–350, 364–366

FIG. 1 is a perspective view of the enclosed ornate frosted drop opal lens trim, showing my design;

FIG. 2 is a top plan view;

FIG. 3 is a bottom plan view;

FIG. 4 is a front elevational view;

FIG. 5 is a rear elevational view;

FIG. 6 is a side elevational view when viewed from the right side; and,

FIG. 7 is a side elevational view when viewed from the left side.

(56) **References Cited**

U.S. PATENT DOCUMENTS

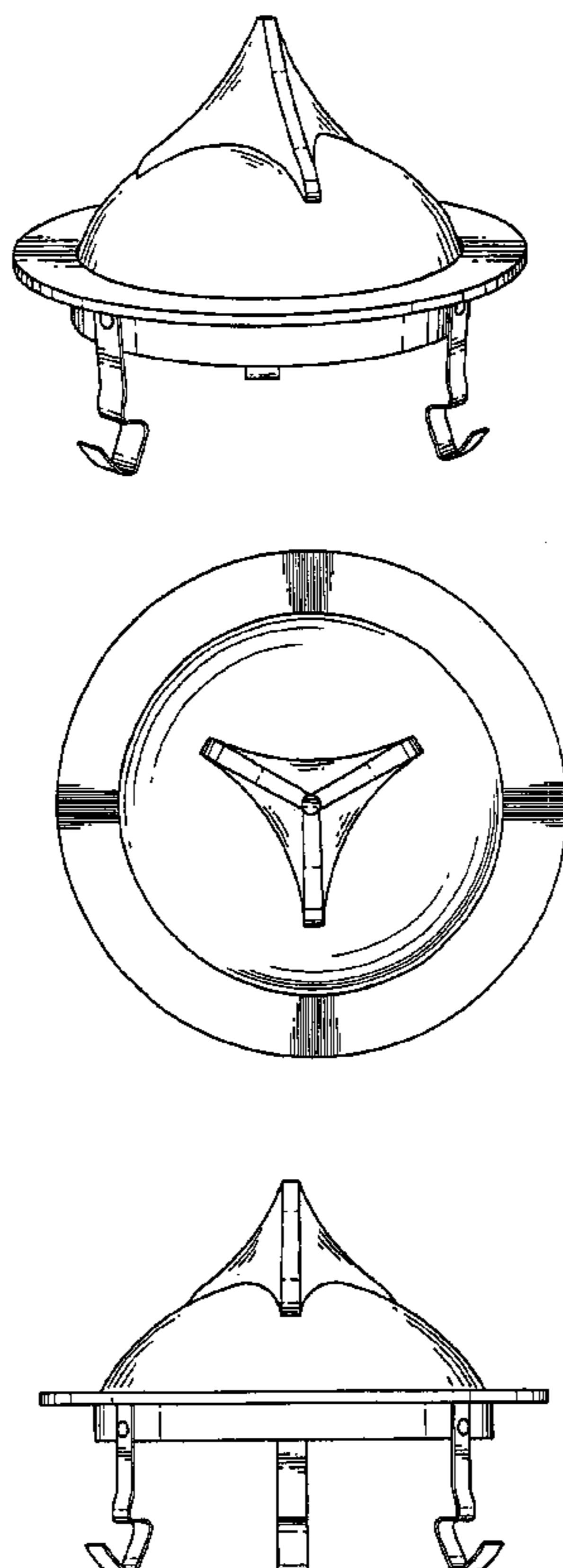
D114,106 S	*	4/1939	Koubek	D26/123
D186,622 S	*	11/1959	Walker	D26/123
D186,723 S	*	11/1959	Walker	D26/123
D192,533 S	*	4/1962	Bordinat, Jr.	D26/123

OTHER PUBLICATIONS

Seagull Lighting Catalog #04A (C)2003. Item 1237–15 shown on bottom row of p. 415.*

* cited by examiner

1 Claim, 2 Drawing Sheets



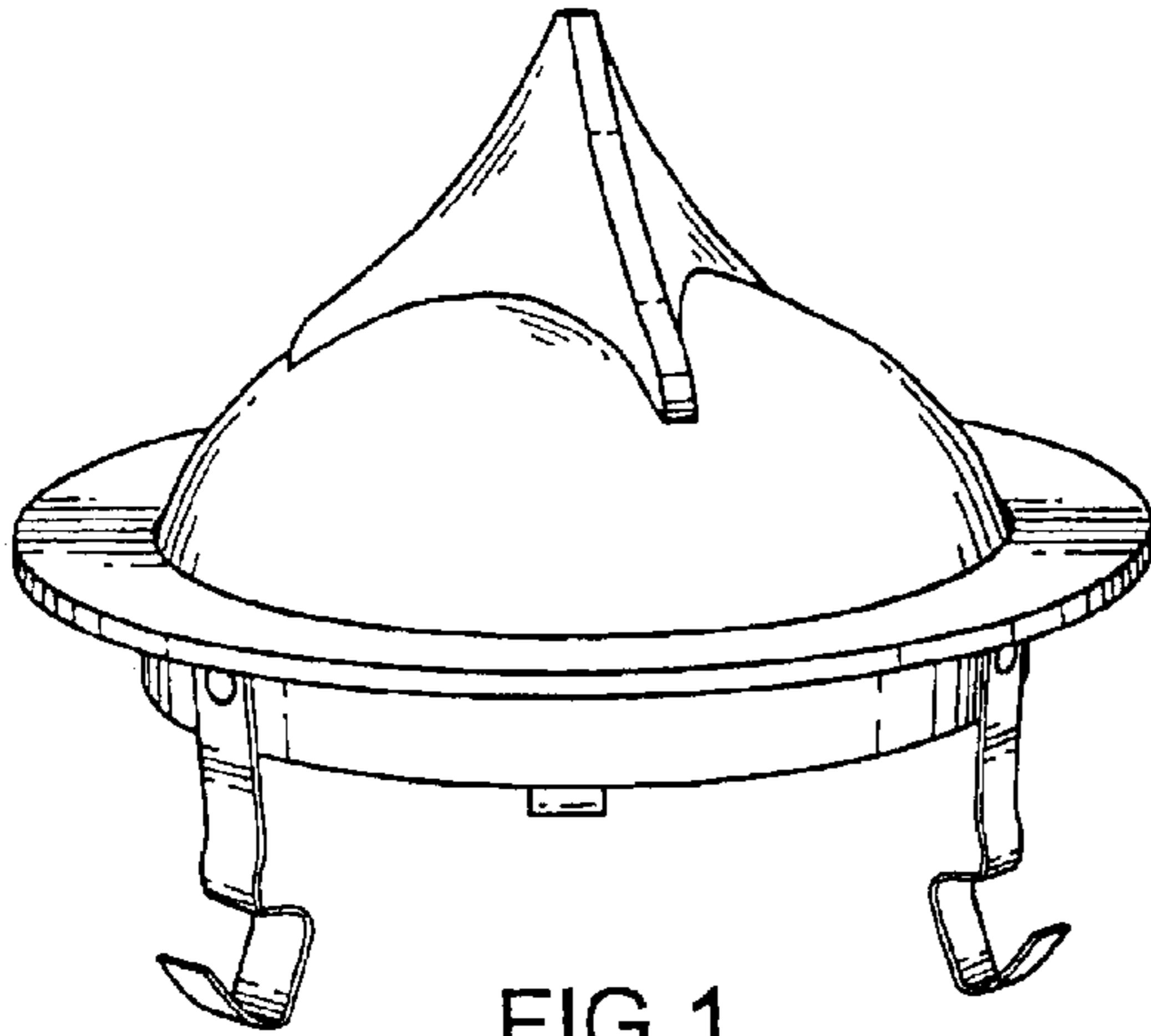


FIG. 1

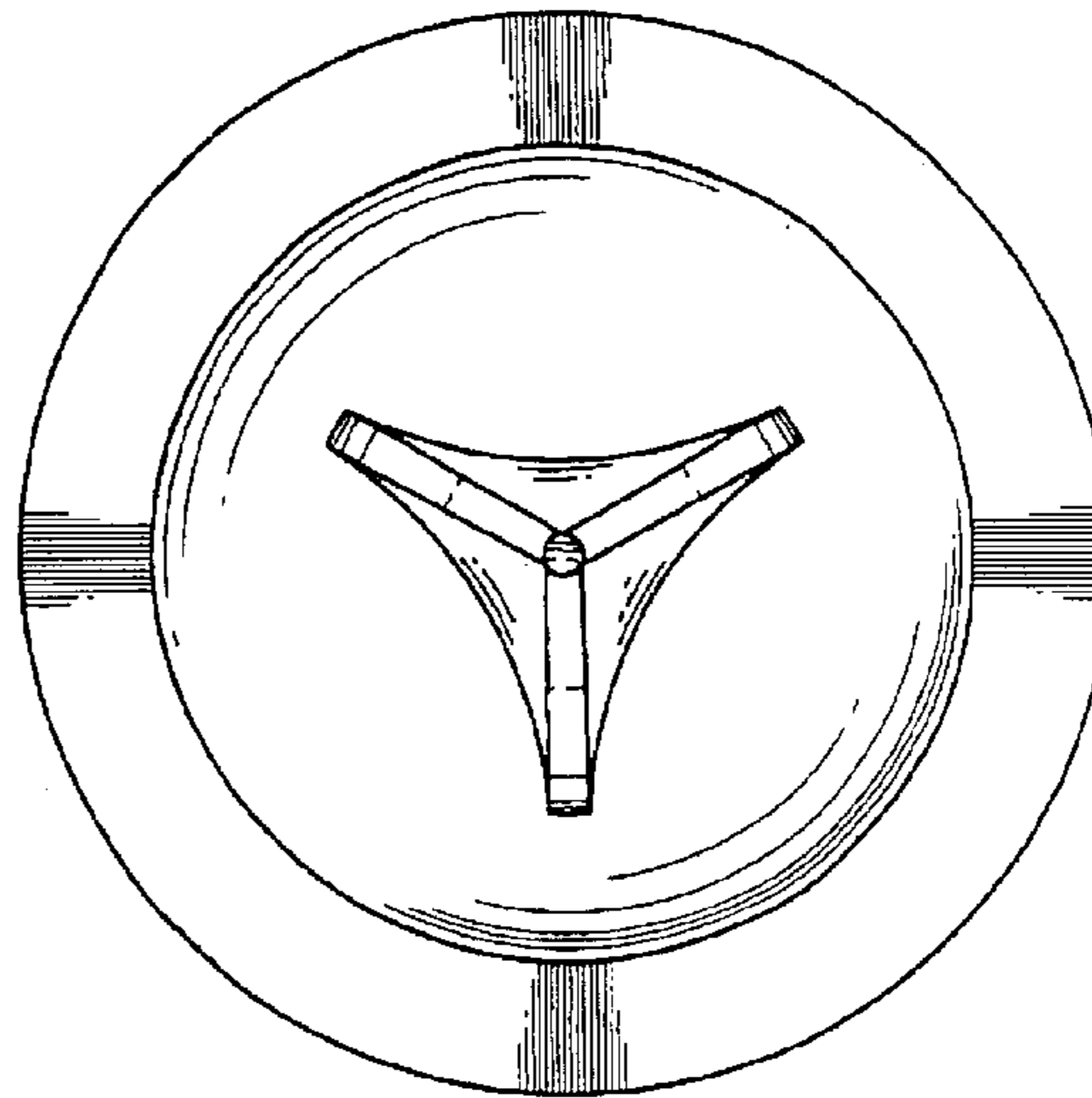


FIG. 2

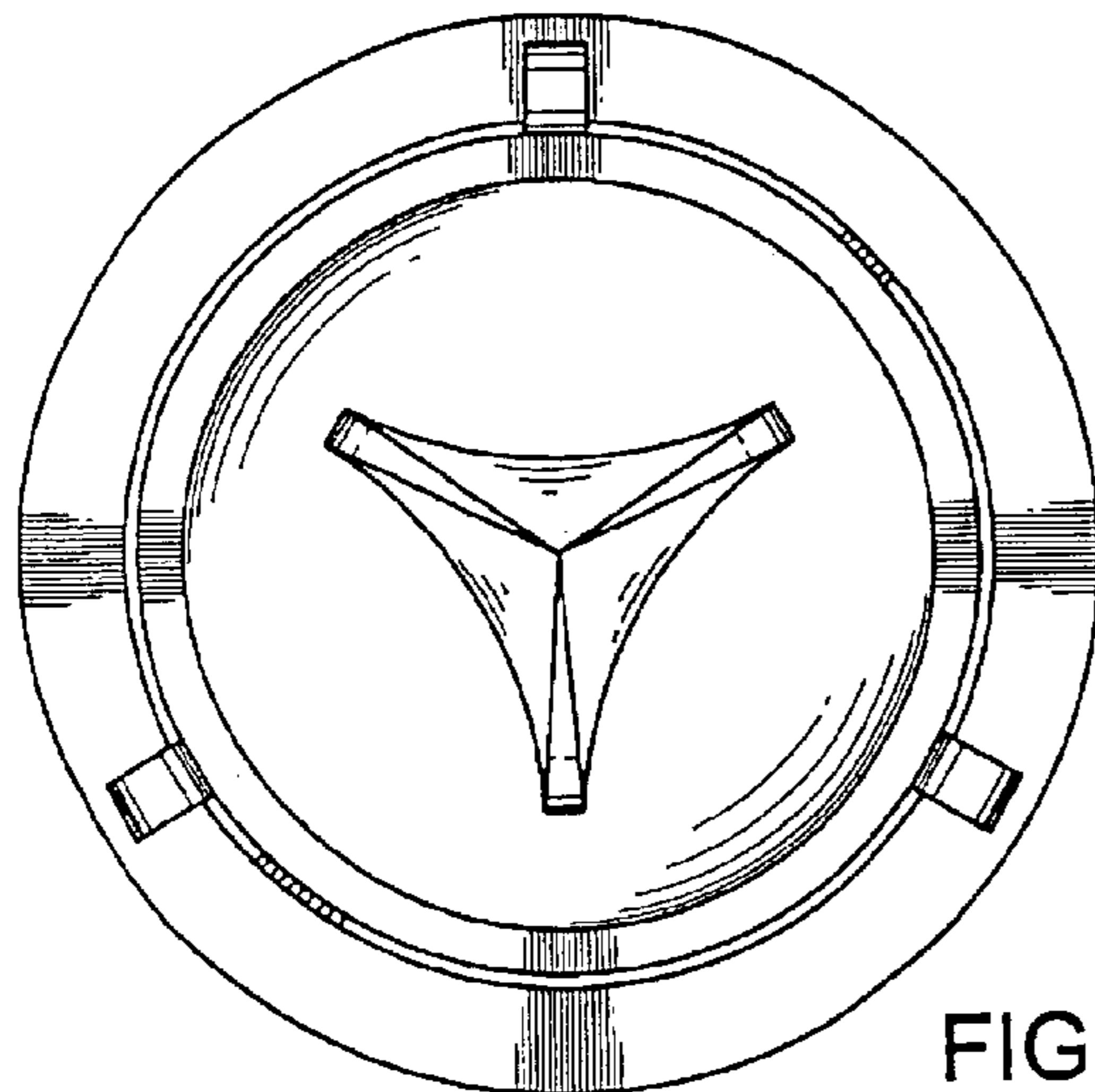


FIG. 3

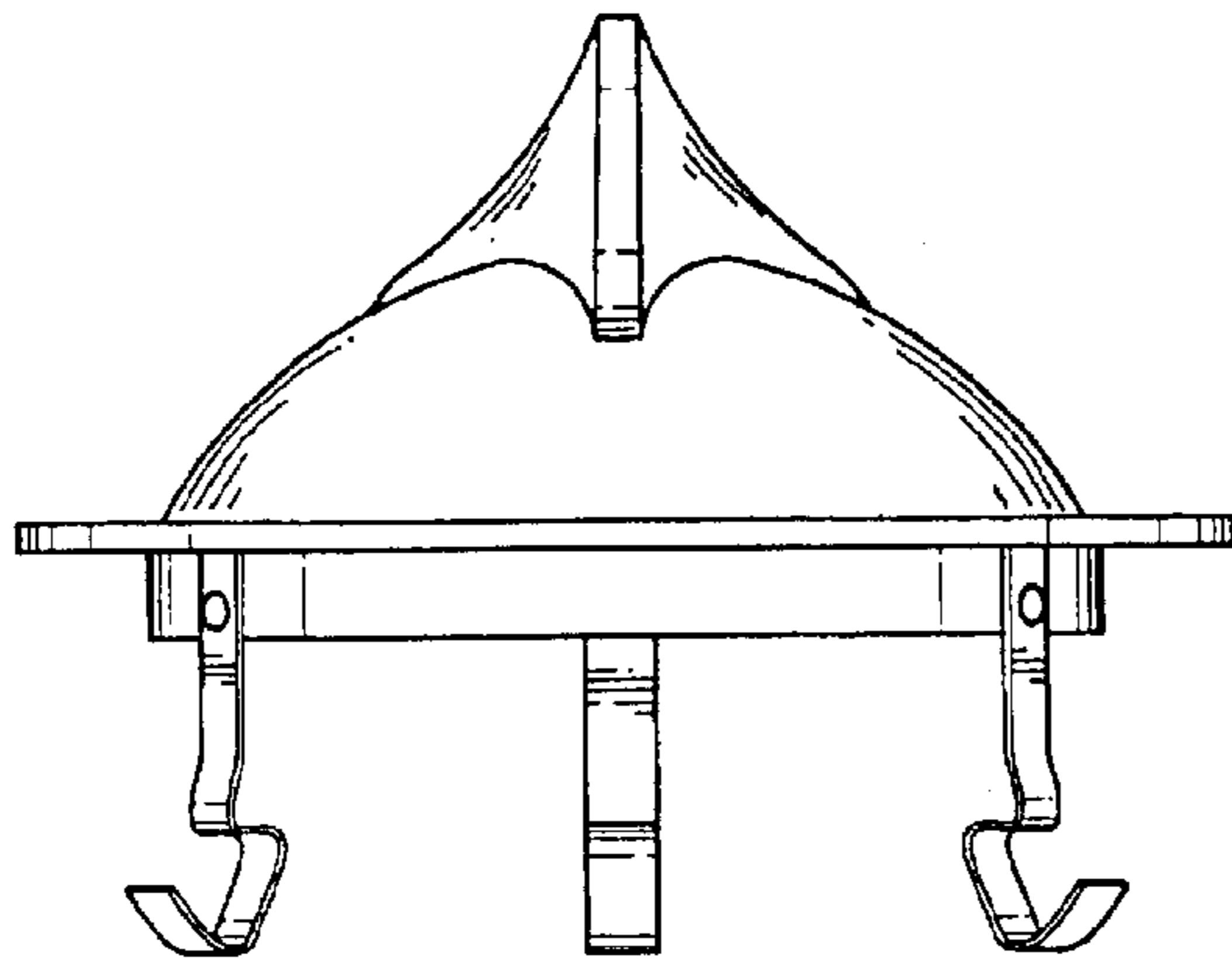


FIG. 4

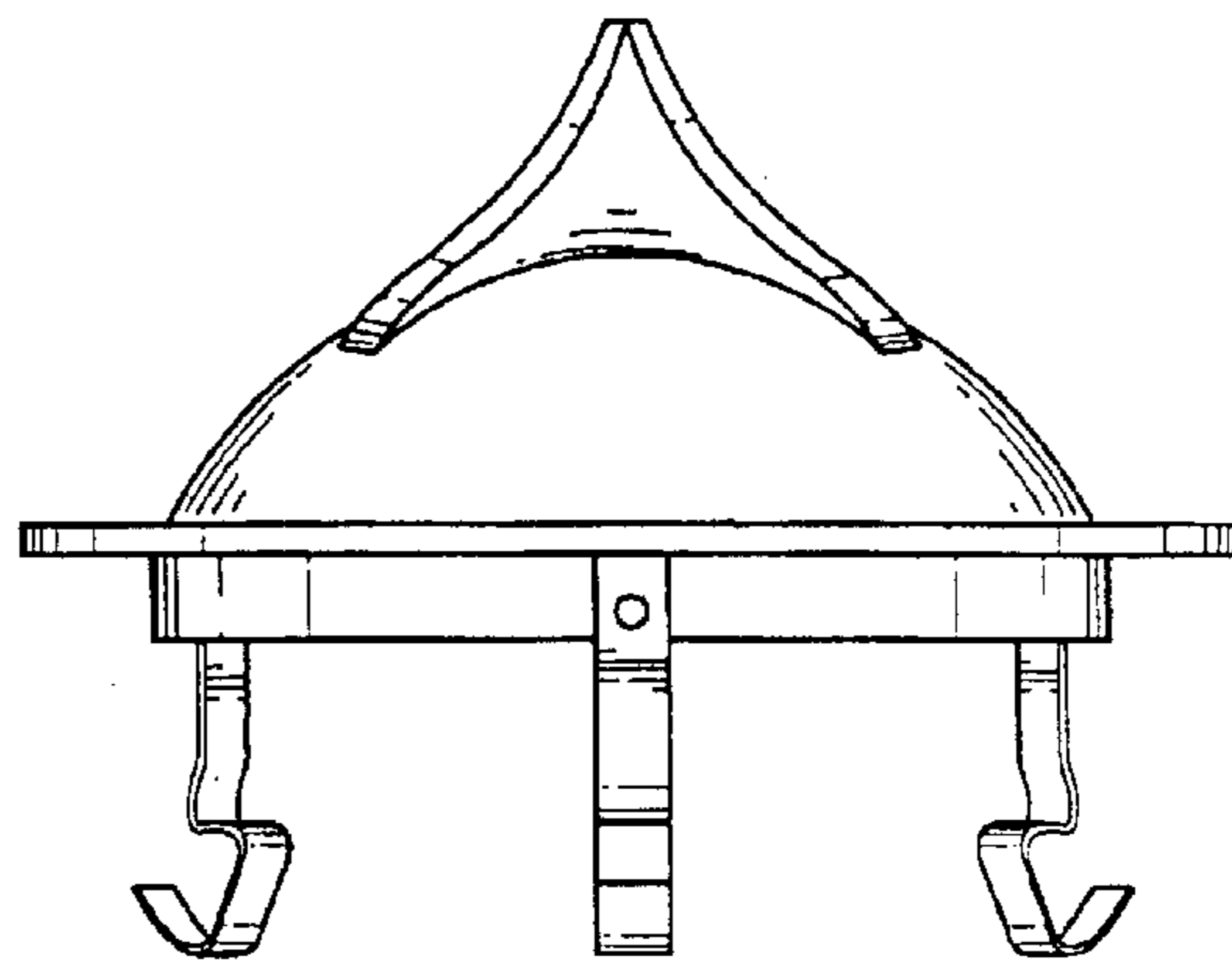


FIG. 5

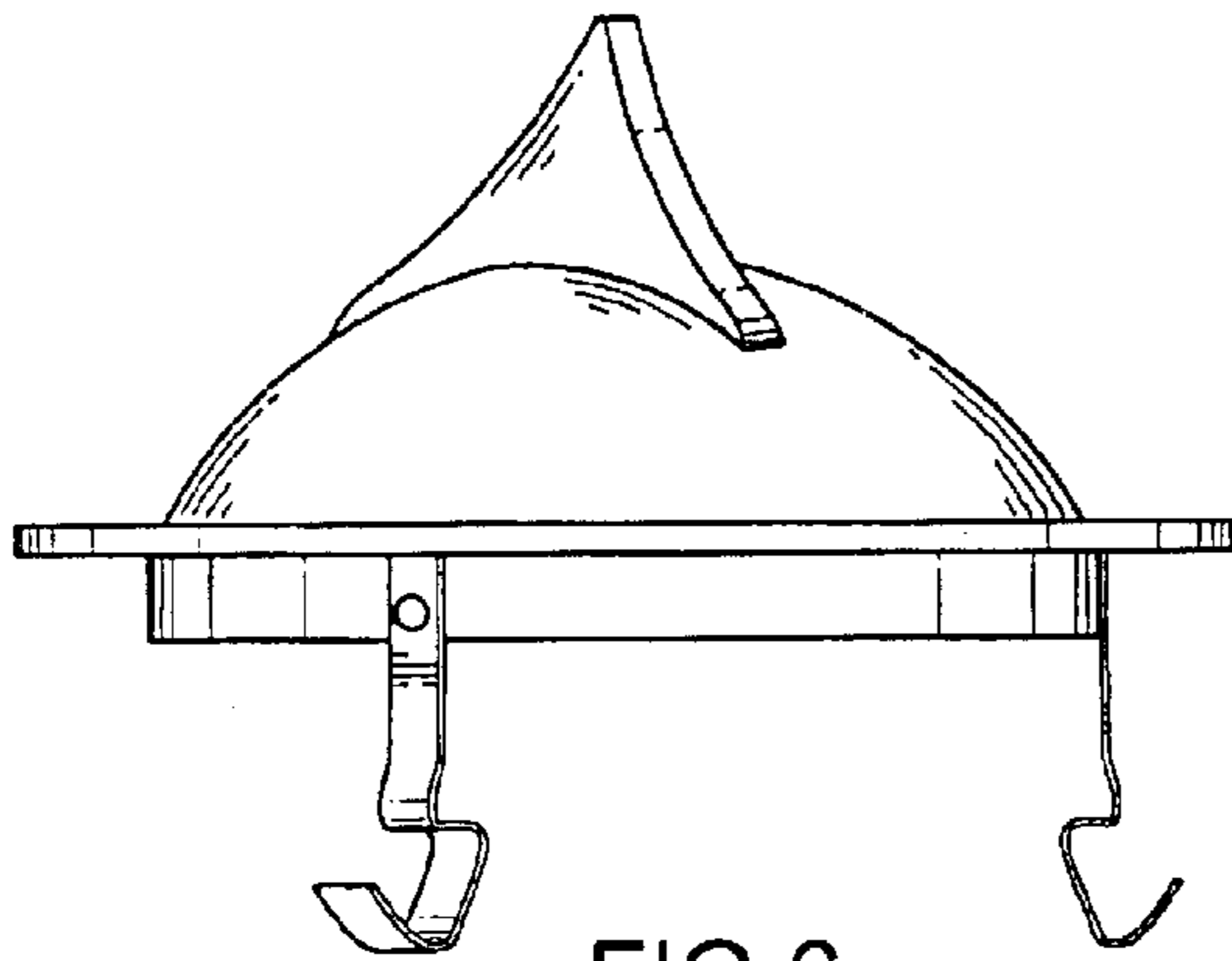


FIG. 6

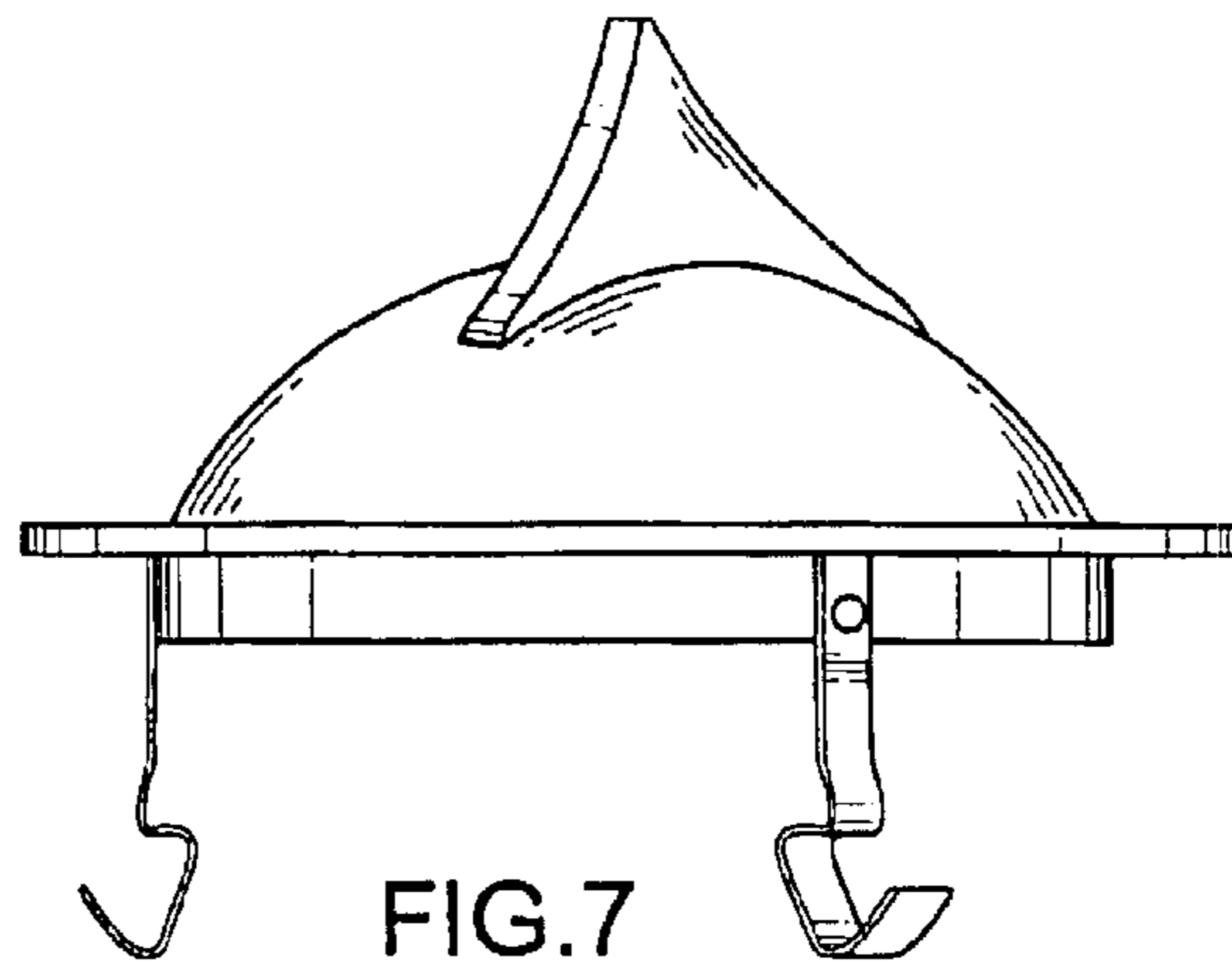


FIG. 7