

US00D508140S

(12) **United States Design Patent** (10) **Patent No.:** **US D508,140 S**
Sharrah (45) **Date of Patent:** **** Aug. 2, 2005**

(54) **LIGHT**

(75) Inventor: **Raymond L. Sharrah**, Collegeville, PA (US)

(73) Assignee: **Streamlight, Inc.**, Eagleville, PA (US)

(**) Term: **14 Years**

(21) Appl. No.: **29/215,808**

(22) Filed: **Oct. 25, 2004**

(51) **LOC (8) Cl.** **26-02**

(52) **U.S. Cl.** **D26/39**

(58) **Field of Search** D26/37-50; 362/157, 362/158, 171-174, 183-208

(56) **References Cited**

U.S. PATENT DOCUMENTS

D324,430 S	3/1992	Sharrah et al.	
D380,858 S	7/1997	Sharrah et al.	
D381,812 S	8/1997	Sharrah et al.	
D435,922 S	1/2001	Shing	
D445,931 S	* 7/2001	Shiu	D26/39
D447,587 S	* 9/2001	Poon	D26/39
D482,472 S	* 11/2003	Shiu	D26/39
D482,473 S	* 11/2003	Shiu	D26/39
D485,384 S	* 1/2004	Poon	D26/39

OTHER PUBLICATIONS

Streamlight, "Argo Luxeon Headlamp," http://www.streamlight.com/argo_info.htm, Printed Oct. 18, 2004, 2 Pages.

Streamlight, "Argo Luxeon Headlamp Specifications," http://www.streamlight.com/argo_spec.htm, Printed Oct. 18, 2004, 1 Page.

Streamlight, "Wow Parts & Accessories," http://www.streamlight.com/wow_accessories.htm, Printed Oct. 19, 2004, 1 Page.

Streamlight, "Wow Specifications," http://www.streamlight.com/wow_specifications.htm, Printed Oct. 18, 2004, 1 Page.

Primary Examiner—Marcus A. Jackson

(74) *Attorney, Agent, or Firm*—Dann, Dorfman, Herrell & Skillman, P.C.

(57) **CLAIM**

The ornamental design for a light, as shown and described.

DESCRIPTION

FIG. 1 is a first isometric view of an example embodiment of an ornamental design for a light;

FIG. 2 is a second isometric view of an example embodiment of an ornamental design for a light;

FIG. 3 is a front view of the example embodiment of an ornamental design for a light shown in FIG. 1;

FIG. 4 is a side view of a first side of the example embodiment of an ornamental design for a light shown in FIGS. 1 and 2;

FIG. 5 is a side view of a second side of the example embodiment of an ornamental design for a light shown in FIGS. 1, 2 and 3;

FIG. 6 is a rear view of the example embodiment of an ornamental design for a light shown in FIGS. 1, 2, 3 and 4;

FIG. 7 is a top view of the example embodiment of an ornamental design for a light shown in FIGS. 1, 2, 3, 4 and 5;

FIG. 8 is a bottom view of the example embodiment of an ornamental design for a light shown in FIGS. 1, 2, 3, 4, 5 and 6;

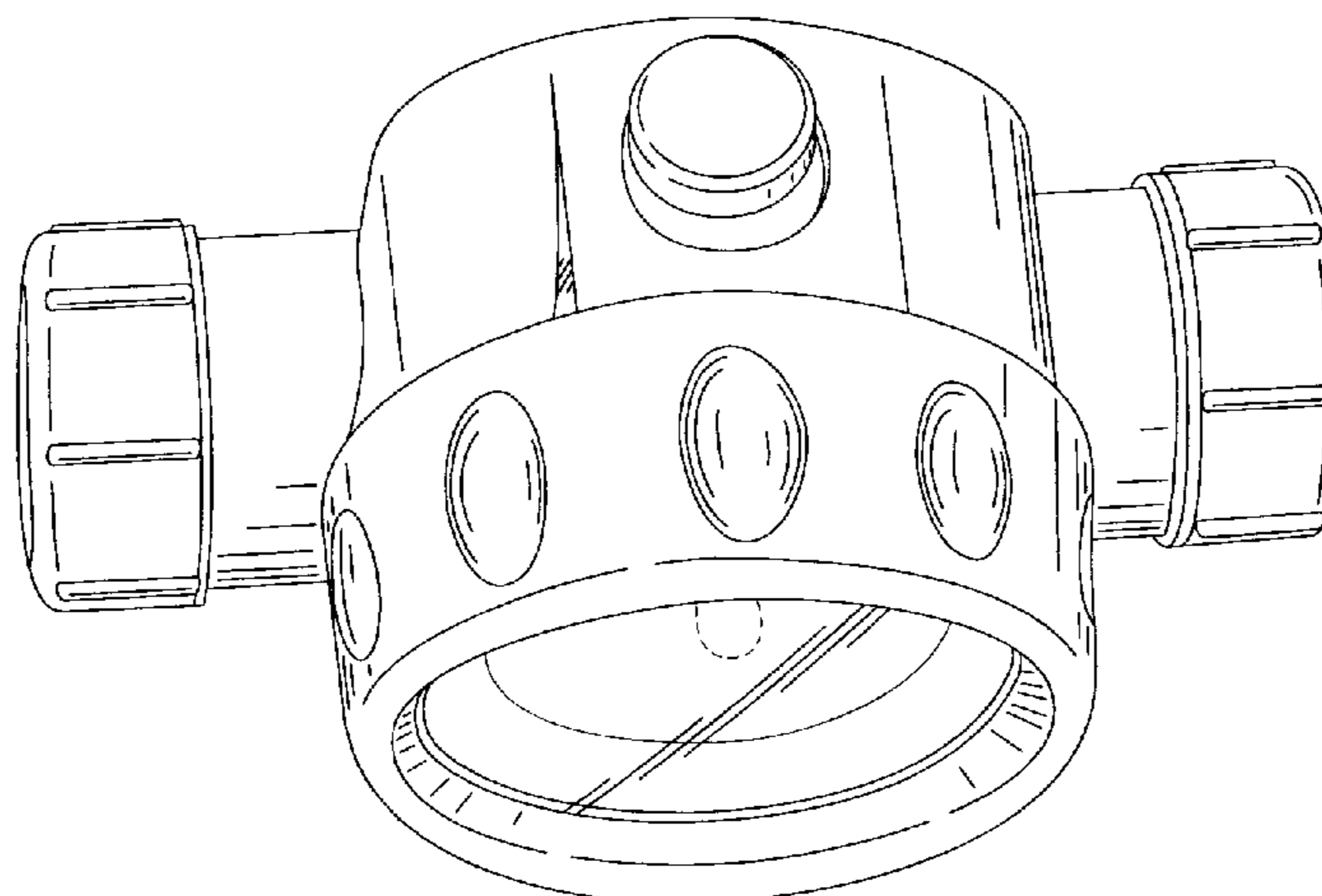
FIG. 9 is a side view of a first side of an alternative example embodiment of an ornamental design for a light shown in FIGS. 1-3 and 6-8; and,

FIG. 10 is a side view of a second side of the alternative example embodiment of an ornamental design for a light shown in FIGS. 1-3 and 6-9.

Broken lines in the illustrations of the Figures of the drawing indicate parts of the article that are not part of the design illustrated therein. The light of the present ornamental design may be attached to a clip, belt, strap, head strap, or the like, e.g., as illustrated by the portions of FIGS. 4, 5, 7-8 and 10 shown by broken lines for illustrative purposes and forming no part of the claimed ornamental design.

(Continued)

1 Claim, 10 Drawing Sheets



OTHER PUBLICATIONS

Streamlight, "TopSpot II Specifications," http://www.streamlight.com/topspot_2_specifications.htm, Printed Oct. 18, 2004, 1 Page.

Streamlight, "TopSpot II Parts & Accessories," http://www.streamlight.com/topspot_2_accessories.htm, Printed Oct. 18, 2004, 1 Page.

Streamlight, "Septor Information," http://www.streamlight.com/septor_info.htm, Printed Oct. 21, 2004, 2 Pages.

Streamlight, "Septor Specifications," http://www.streamlight.com/septor_spec.htm, Printed Oct. 21, 2004, 1 Page.

Streamlight, "Trident Information," http://www.streamlight.com/trident_info.htm, Printed Oct. 21, 2004, 2 Pages.

Streamlight, "Trident Specifications," http://www.streamlight.com/trident_spec.htm, Printed Oct. 21, 2004, 1 Page.

Streamlight, "New Trident/New Septor/New ClipMate," Led Technology Meets Streamlight Quality, Sep. 2002, Pamphlet, #990633.

Streamlight, "New Argo Luxeon LED Headlamp," Feb. 2004, Pamphlet.: #990661.

* cited by examiner

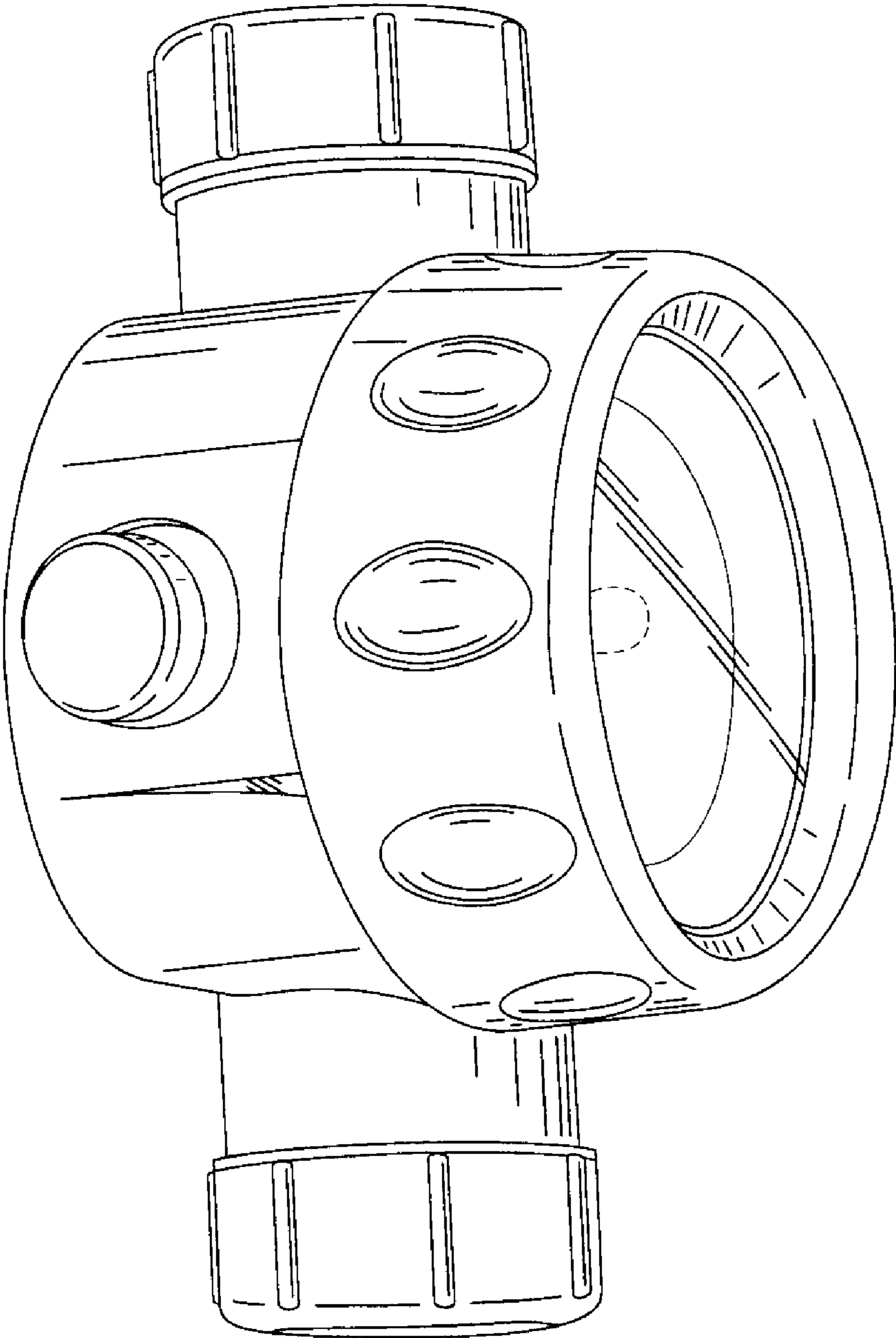


FIG. 1

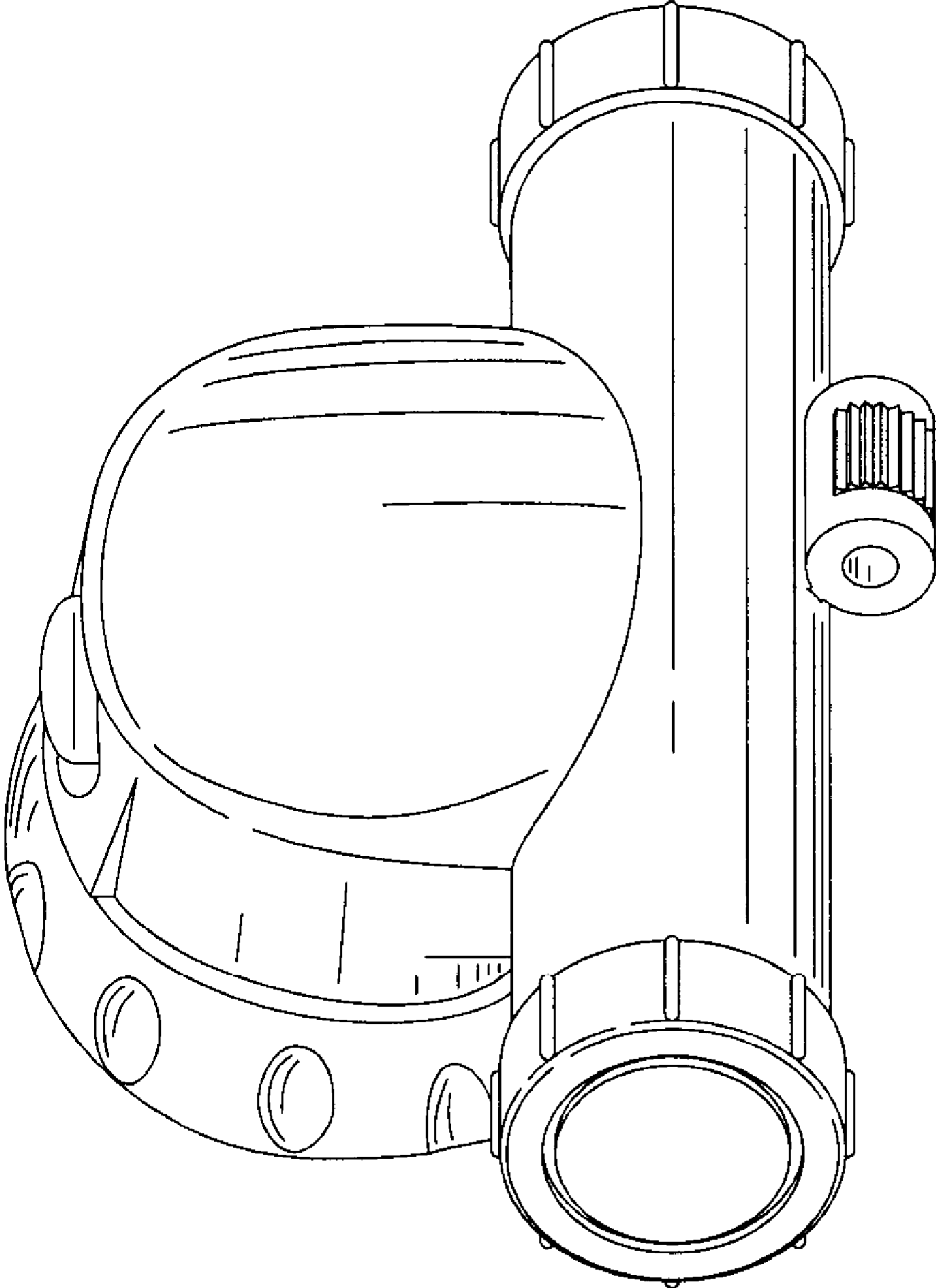


FIG. 2

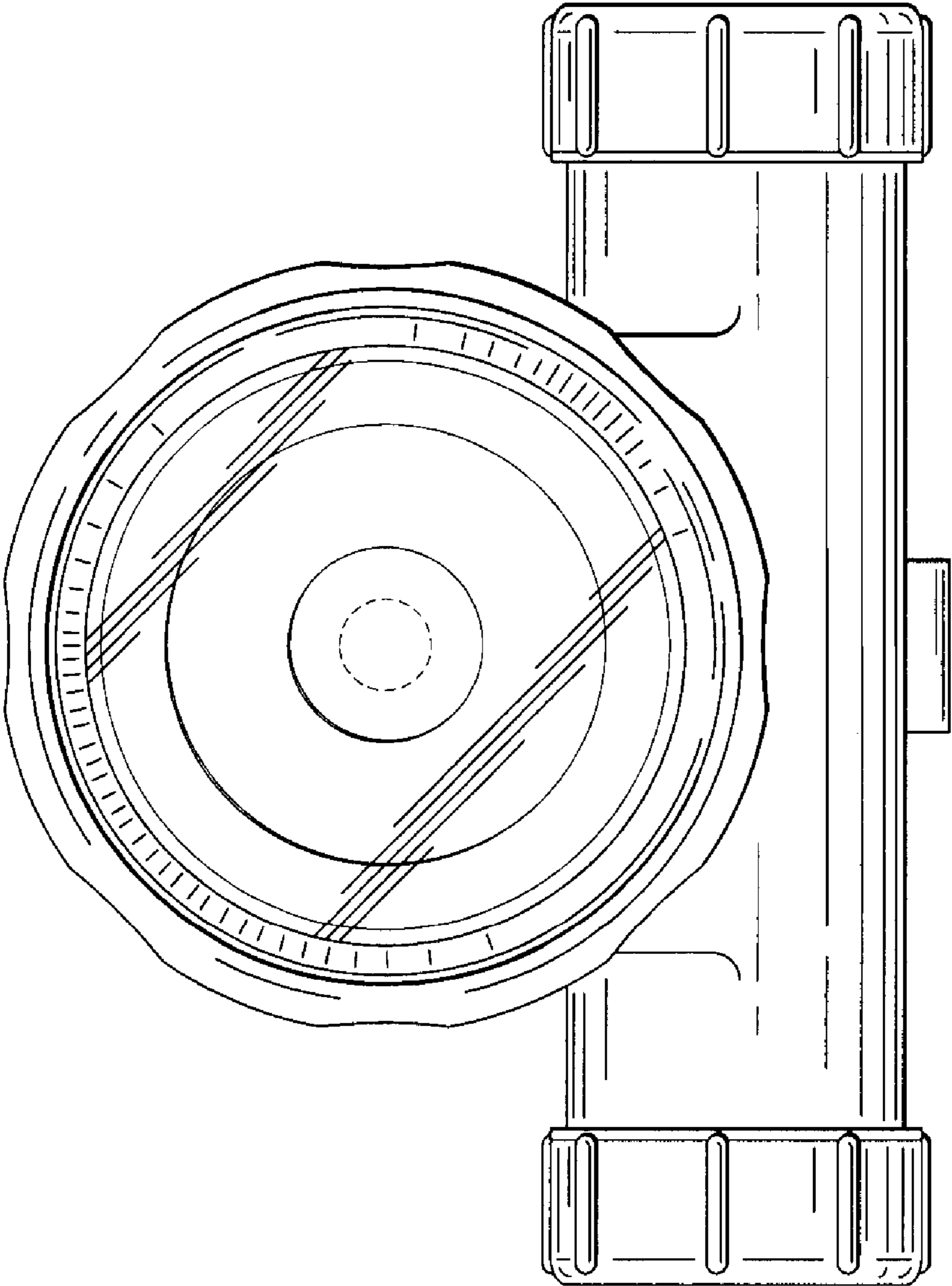


FIG. 3

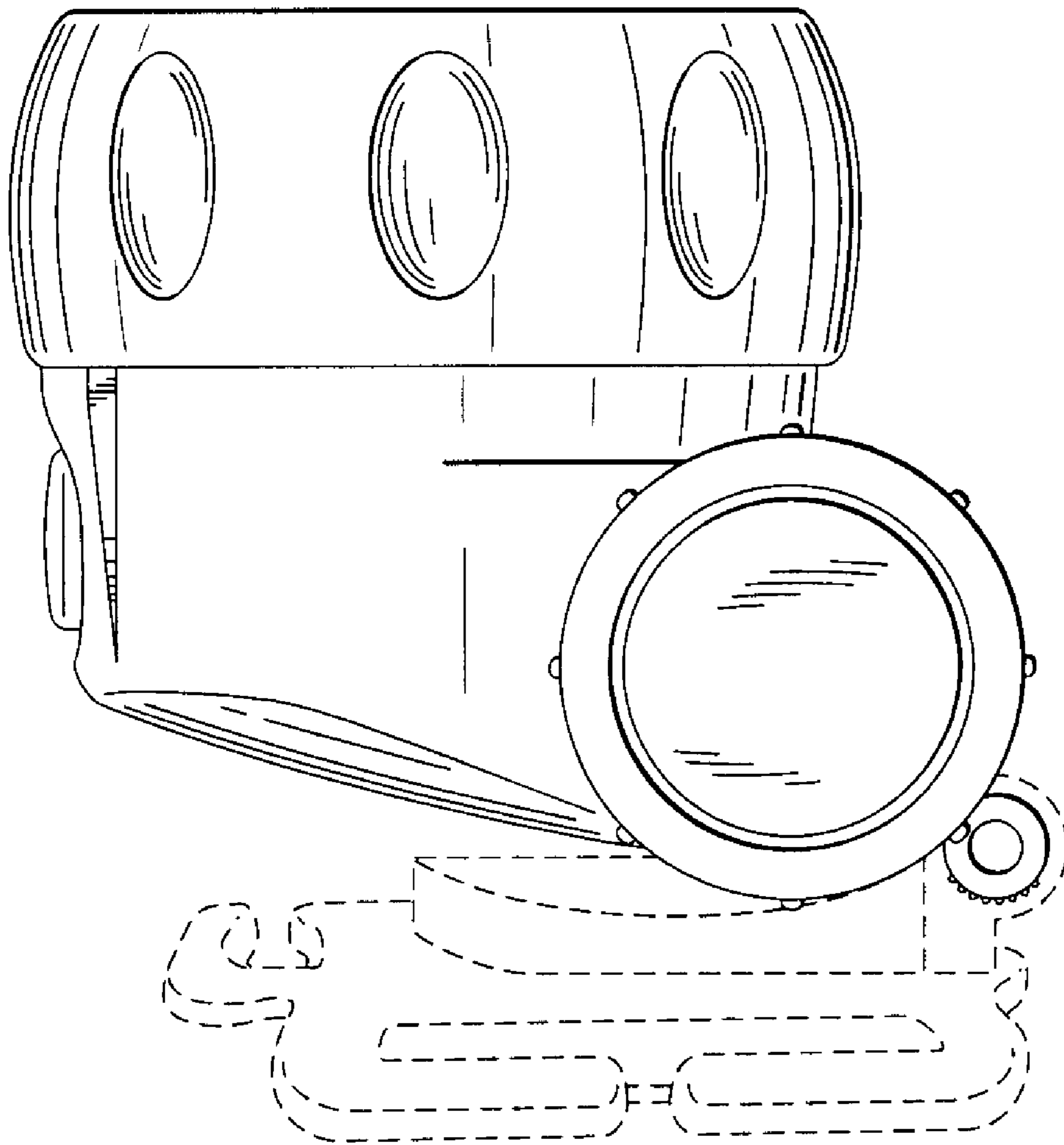


FIG. 4

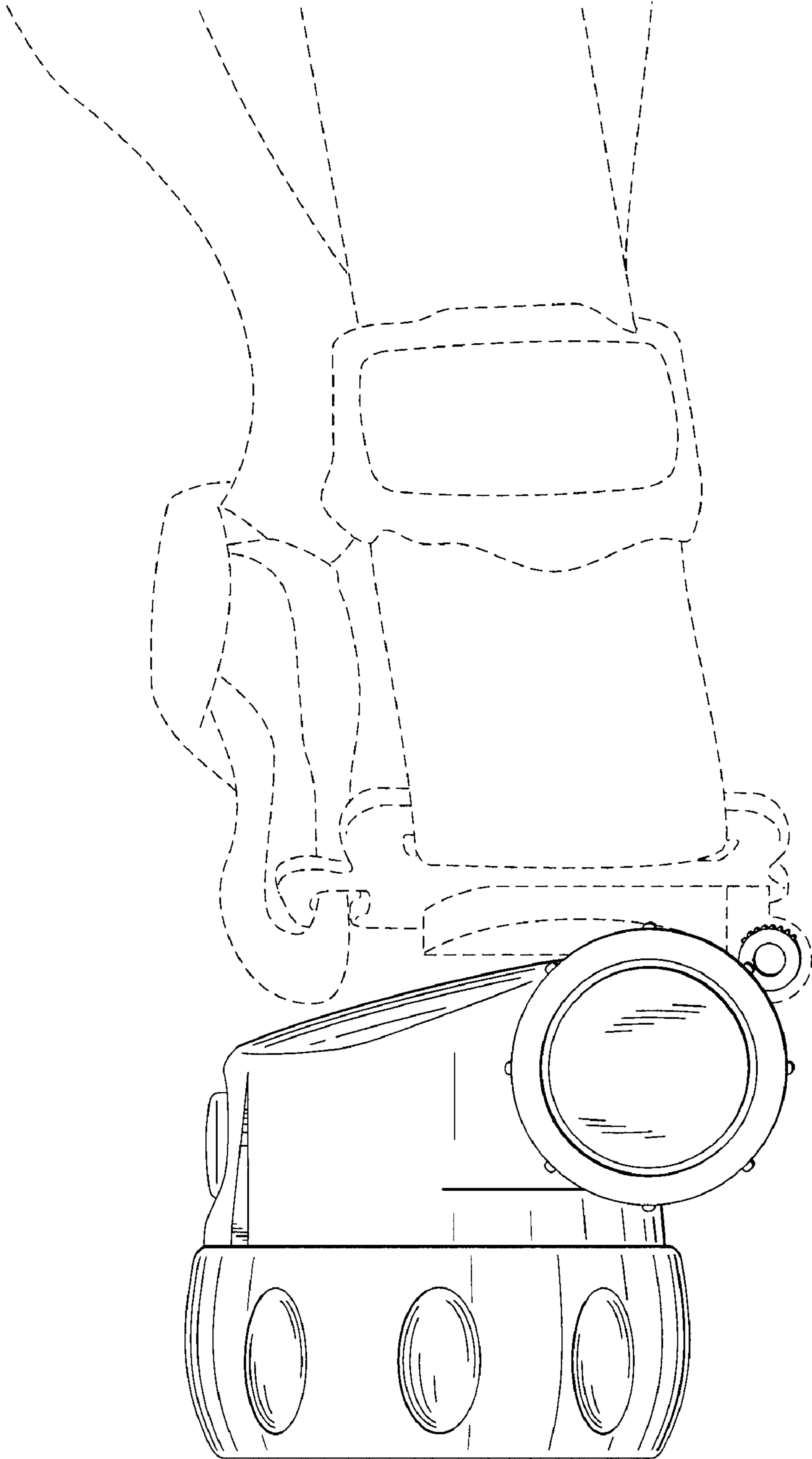


FIG. 5

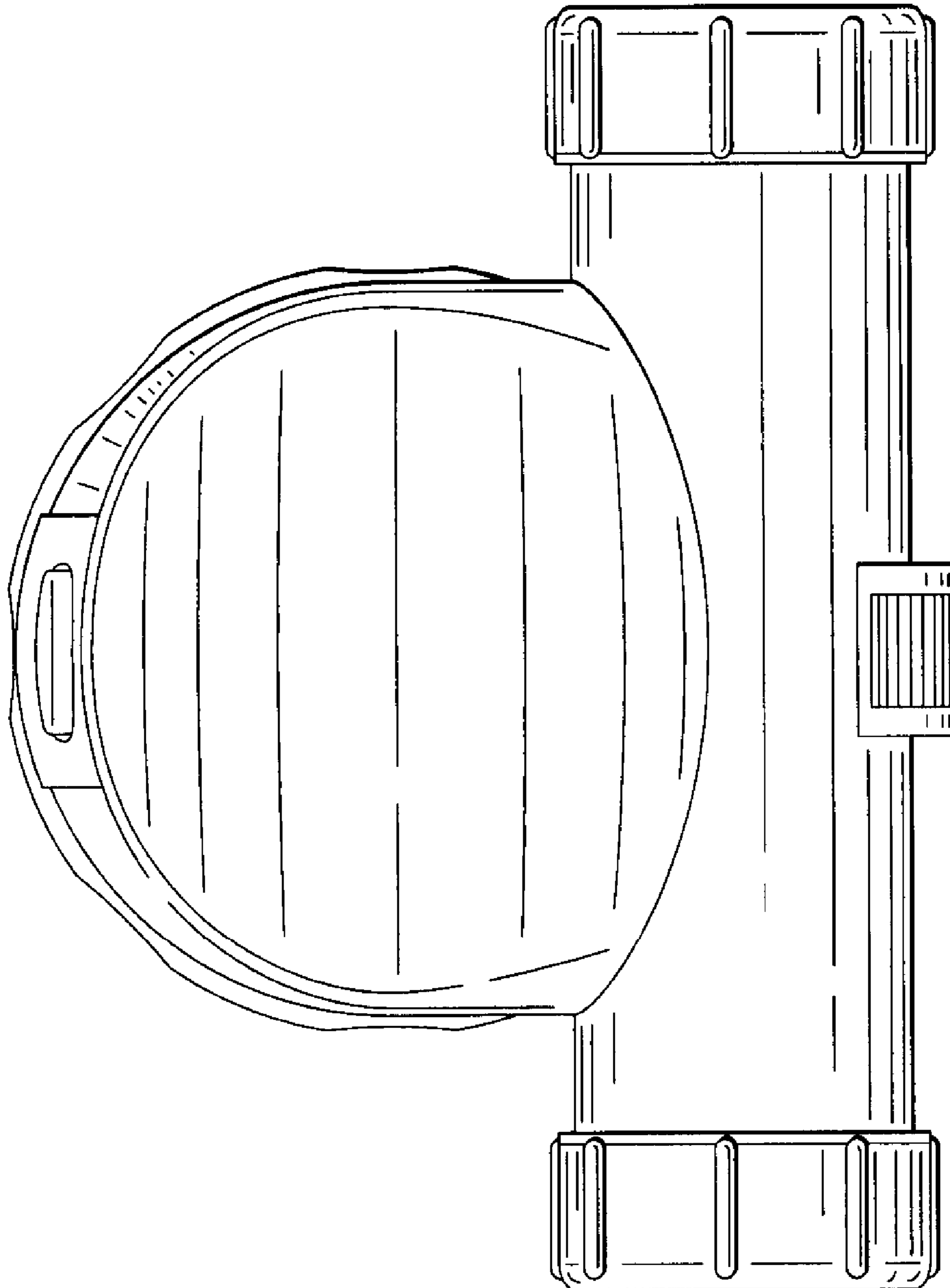


FIG. 6

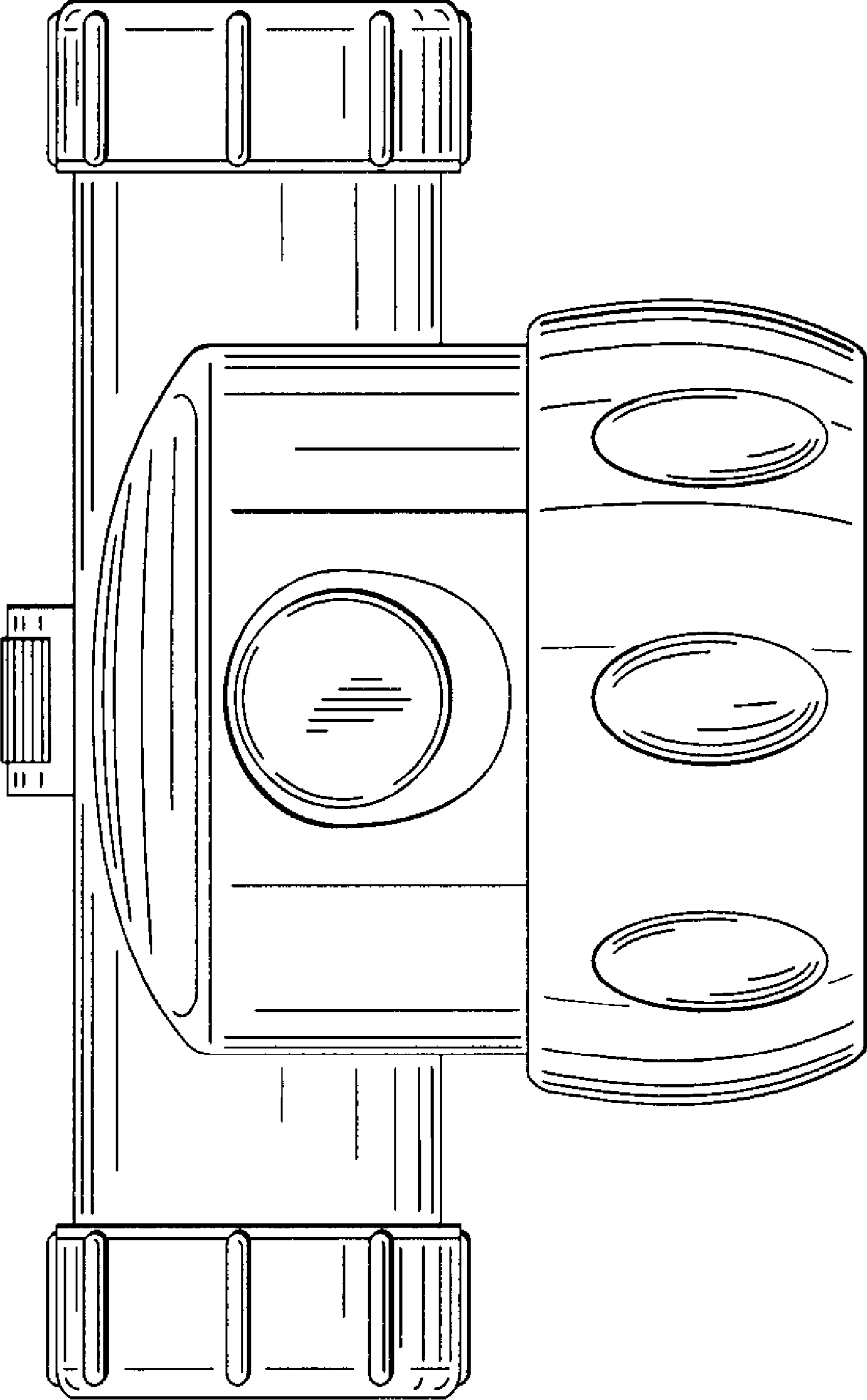


FIG. 7

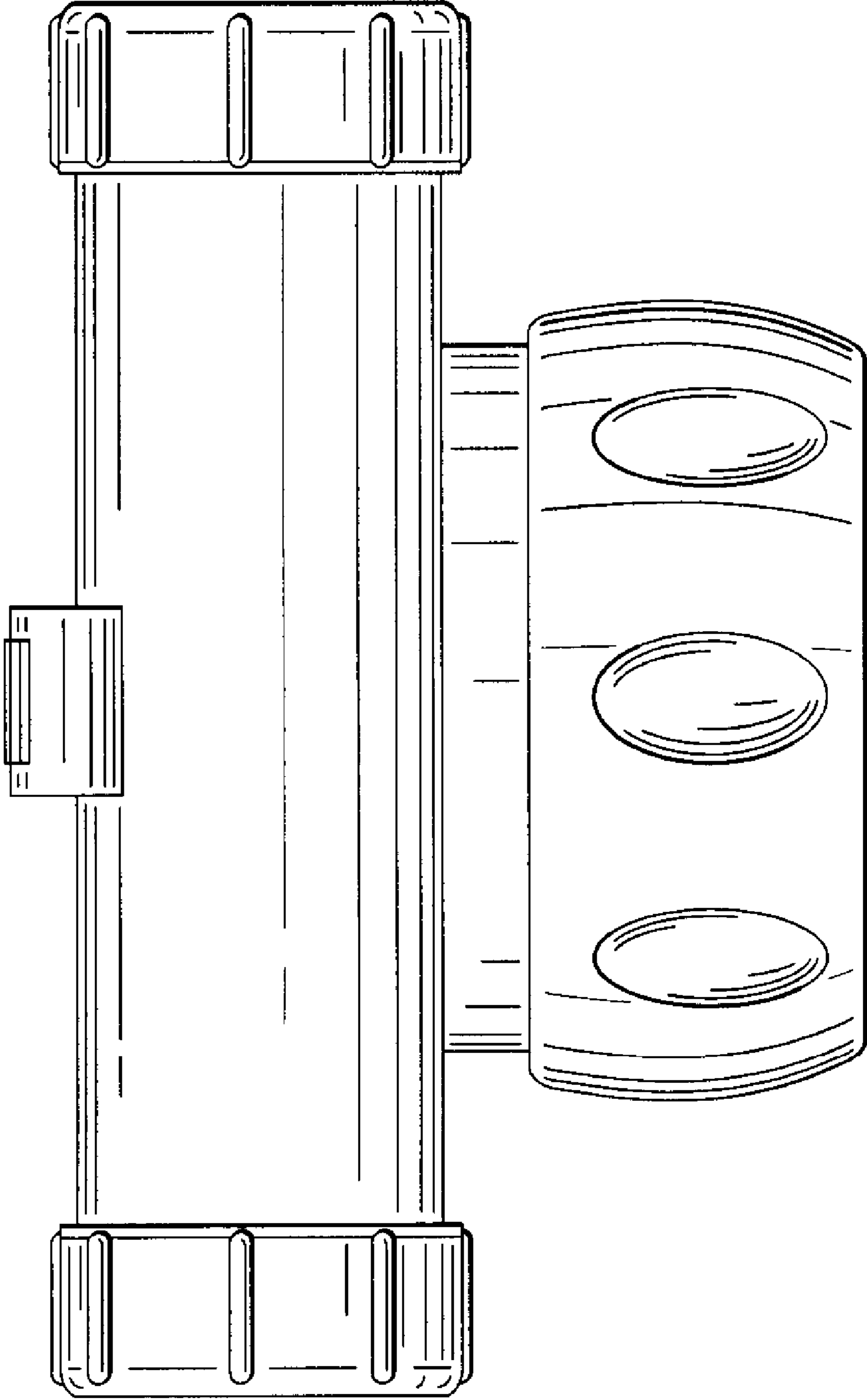


FIG. 8

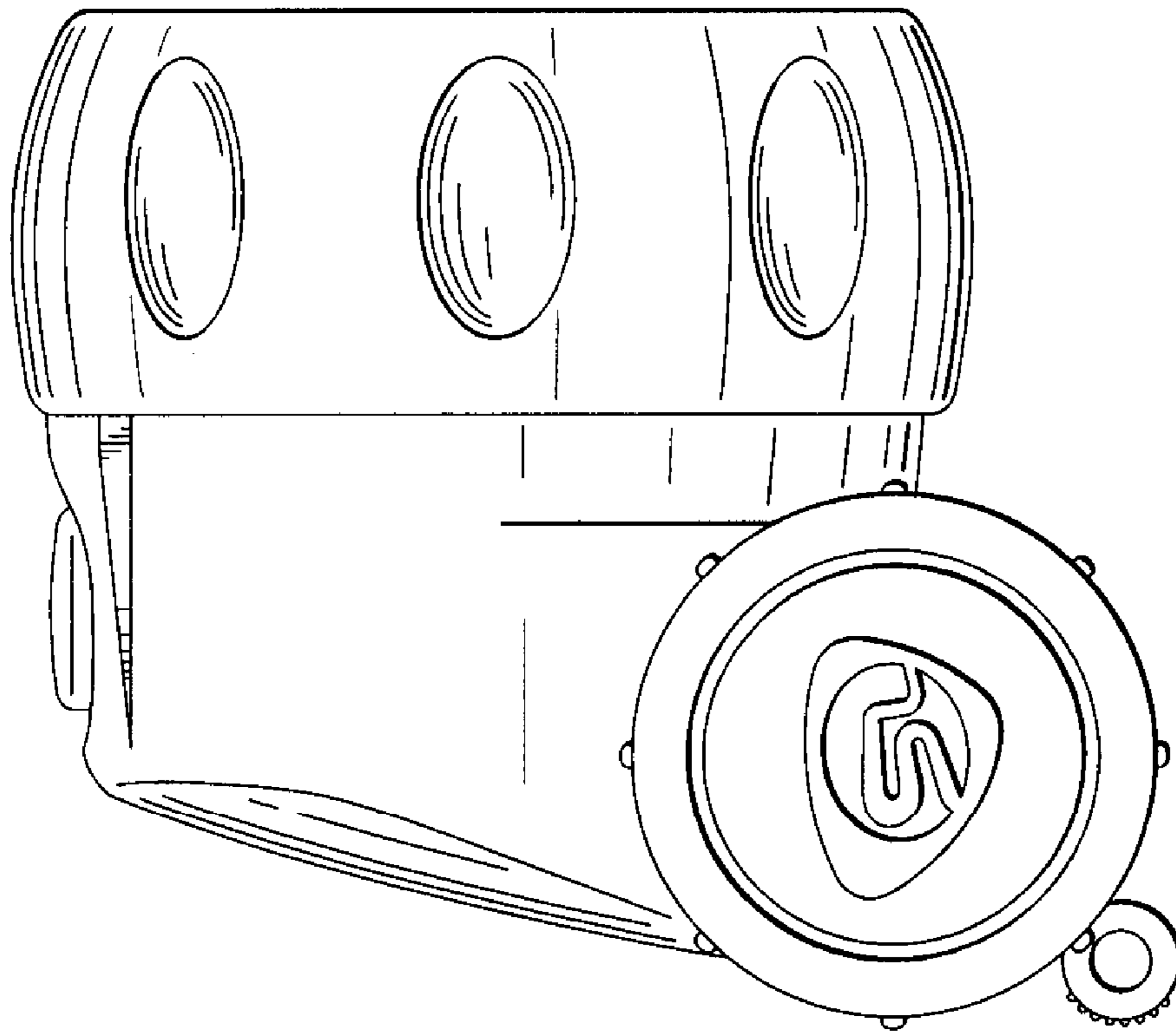


FIG. 9

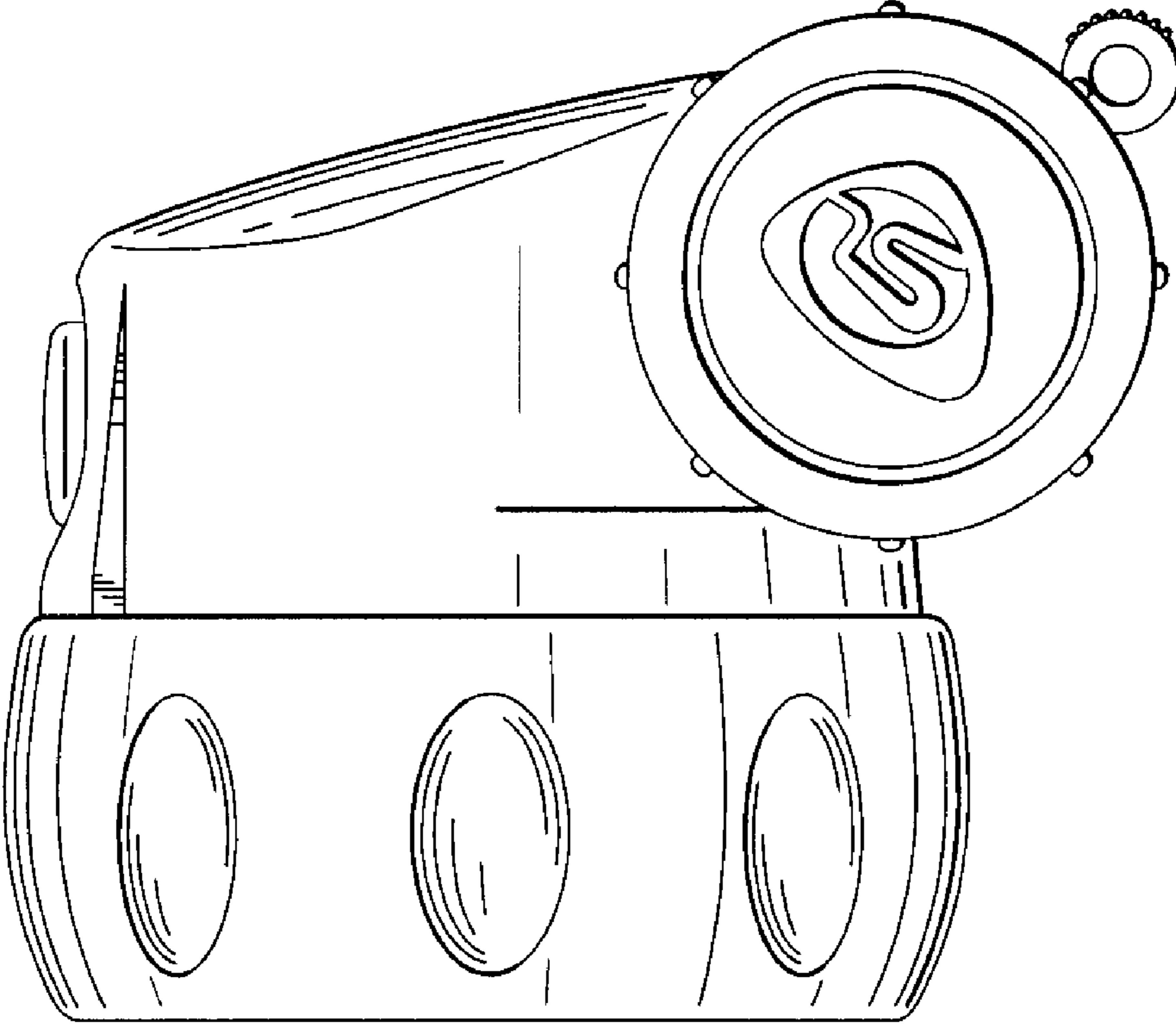


FIG. 10