



US00D508136S

(12) **United States Design Patent**
Pfeiffer

(10) **Patent No.:** **US D508,136 S**
(45) **Date of Patent:** **** Aug. 2, 2005**

(54) **SURFACE CONFIGURATION OF A HEADLIGHT FOR A VEHICLE**

DESCRIPTION

- (75) Inventor: **Peter Pfeiffer**, Boeblingen (DE)
- (73) Assignee: **DaimlerChrysler AG**, Stuttgart (DE)
- (**) Term: **14 Years**
- (21) Appl. No.: **29/185,556**
- (22) Filed: **Jul. 1, 2003**
- (51) **LOC (8) Cl.** **26-06**
- (52) **U.S. Cl.** **D26/28**
- (58) **Field of Search** D26/28-36; 362/459-468,
362/473-476, 485-487

This application is related to the following co-pending application, of the inventor, filed on even date herewith: Application Ser. No. 29/185,598 entitled "Surface Configuration of a Vehicle, Toy and/or Other Replicas".

FIG. 1 is a perspective view of a first embodiment of a surface configuration of a headlight for a vehicle according to my novel design;

FIG. 2 is a side view of the first embodiment of the surface configuration of a headlight for a vehicle according to my novel design;

FIG. 3 is a front view of the first embodiment of the surface configuration of a headlight for a vehicle according to my novel design;

FIG. 4 is a perspective view of a second embodiment of the surface configuration of a headlight for a vehicle according to my novel design;

FIG. 5 is a side view of the second embodiment of the surface configuration of a headlight for a vehicle according to my novel design; and,

FIG. 6 is a front view of the second embodiment of the surface configuration of a headlight for a vehicle according to my novel design.

The broken lines are for illustrative purposes only and form no part of the claimed design.

(56) **References Cited**

U.S. PATENT DOCUMENTS

D481,807 S	*	11/2003	Honer	D26/28
D483,134 S	*	12/2003	Shih	D26/28
D498,314 S	*	11/2004	Pfeiffer et al.	D26/28
D499,822 S	*	12/2004	Pfeiffer	D26/28

* cited by examiner

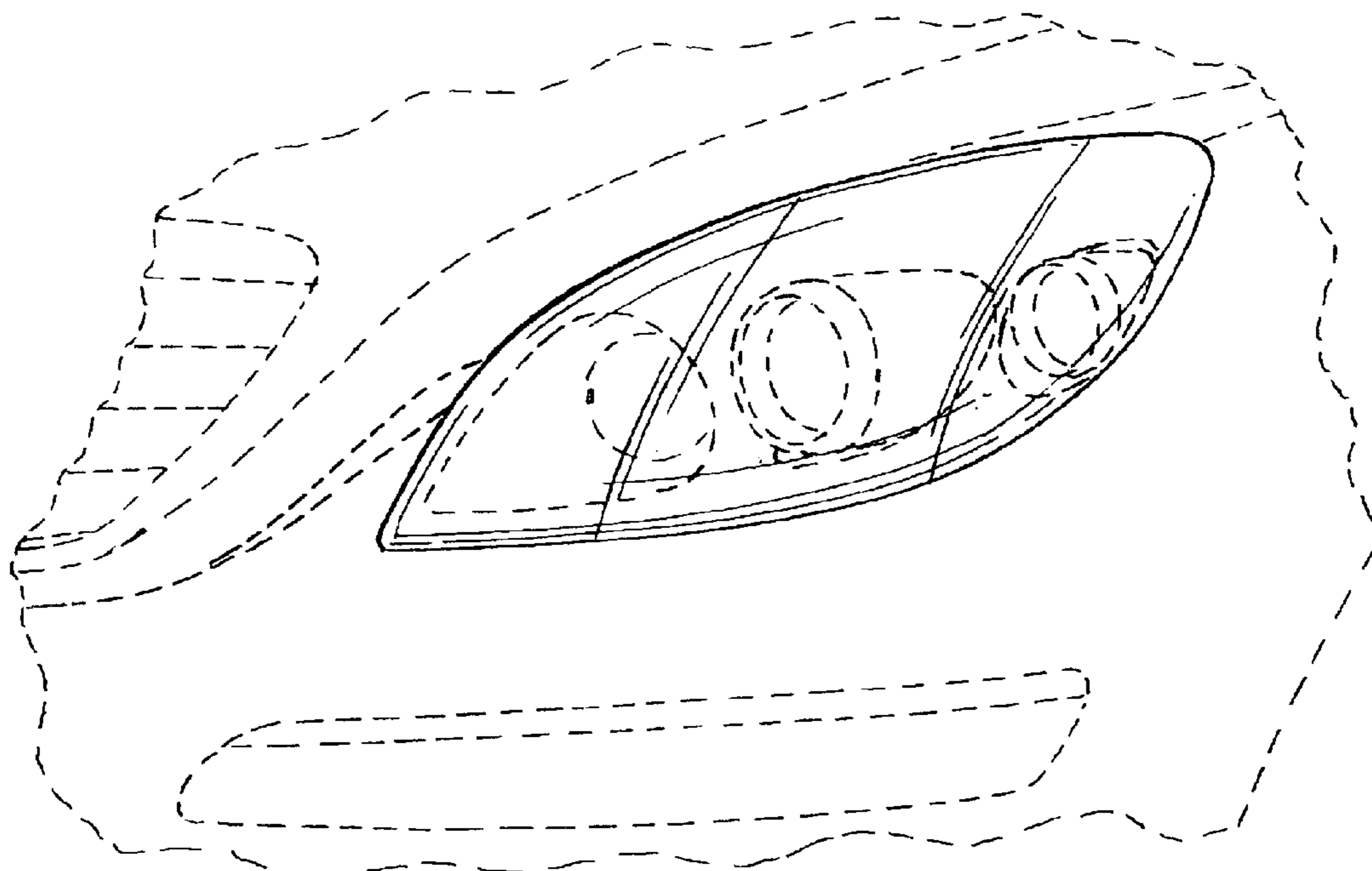
Primary Examiner—Marcus A. Jackson

(74) *Attorney, Agent, or Firm*—Crowell & Moring LLP

(57) **CLAIM**

The ornamental design for a surface configuration of a headlight for a vehicle, as shown and described.

1 Claim, 4 Drawing Sheets



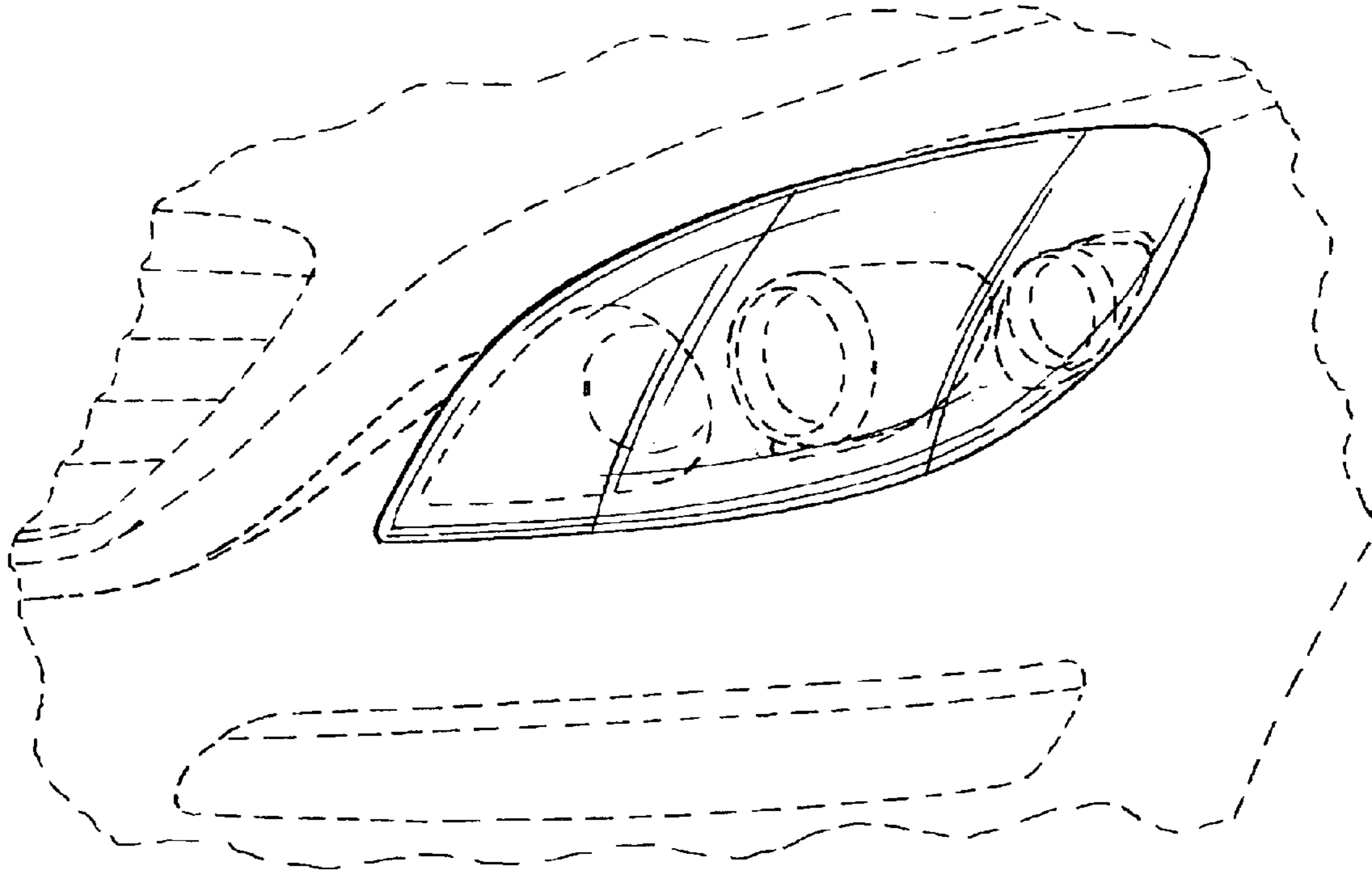


FIG. 1

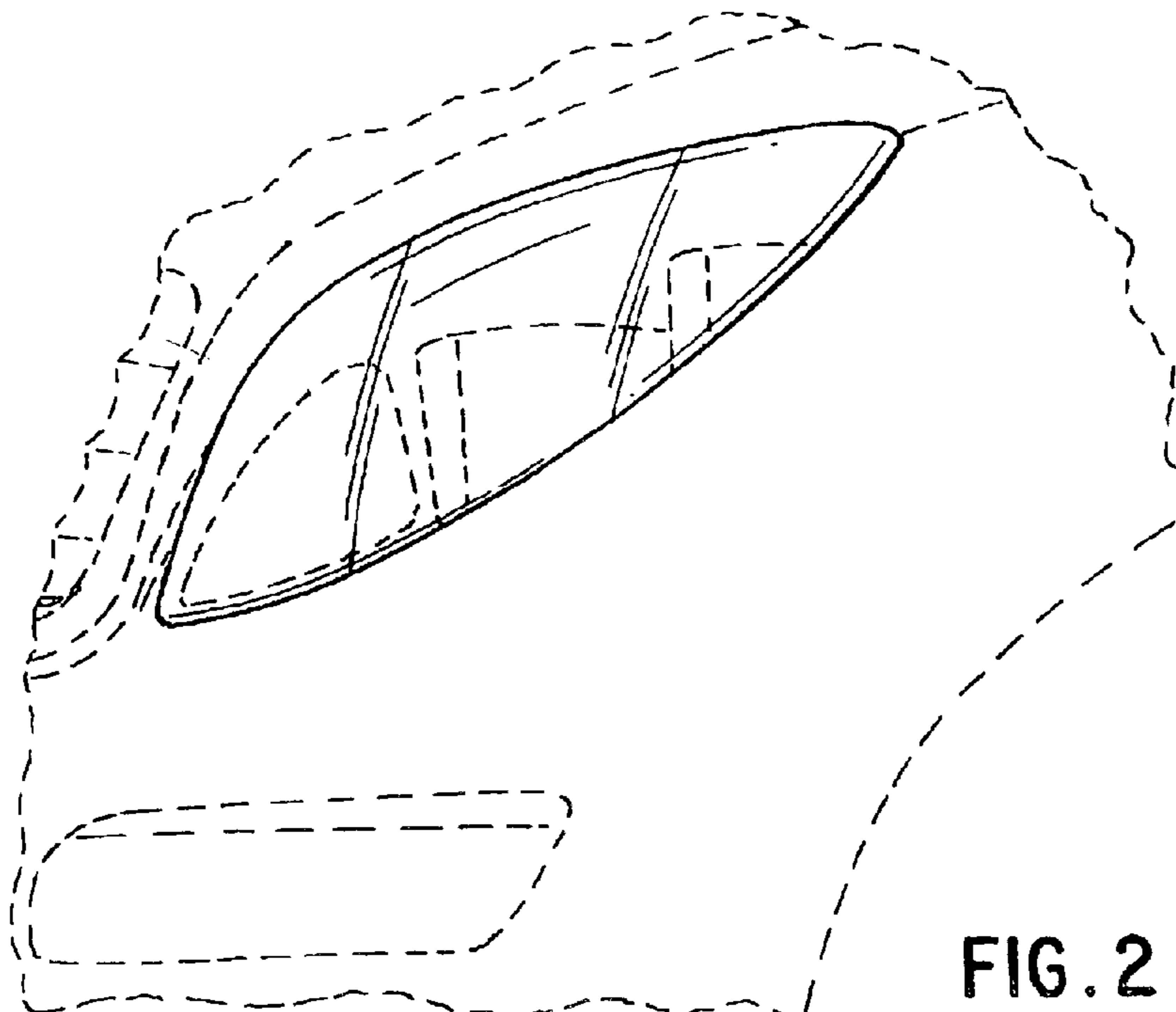


FIG. 2

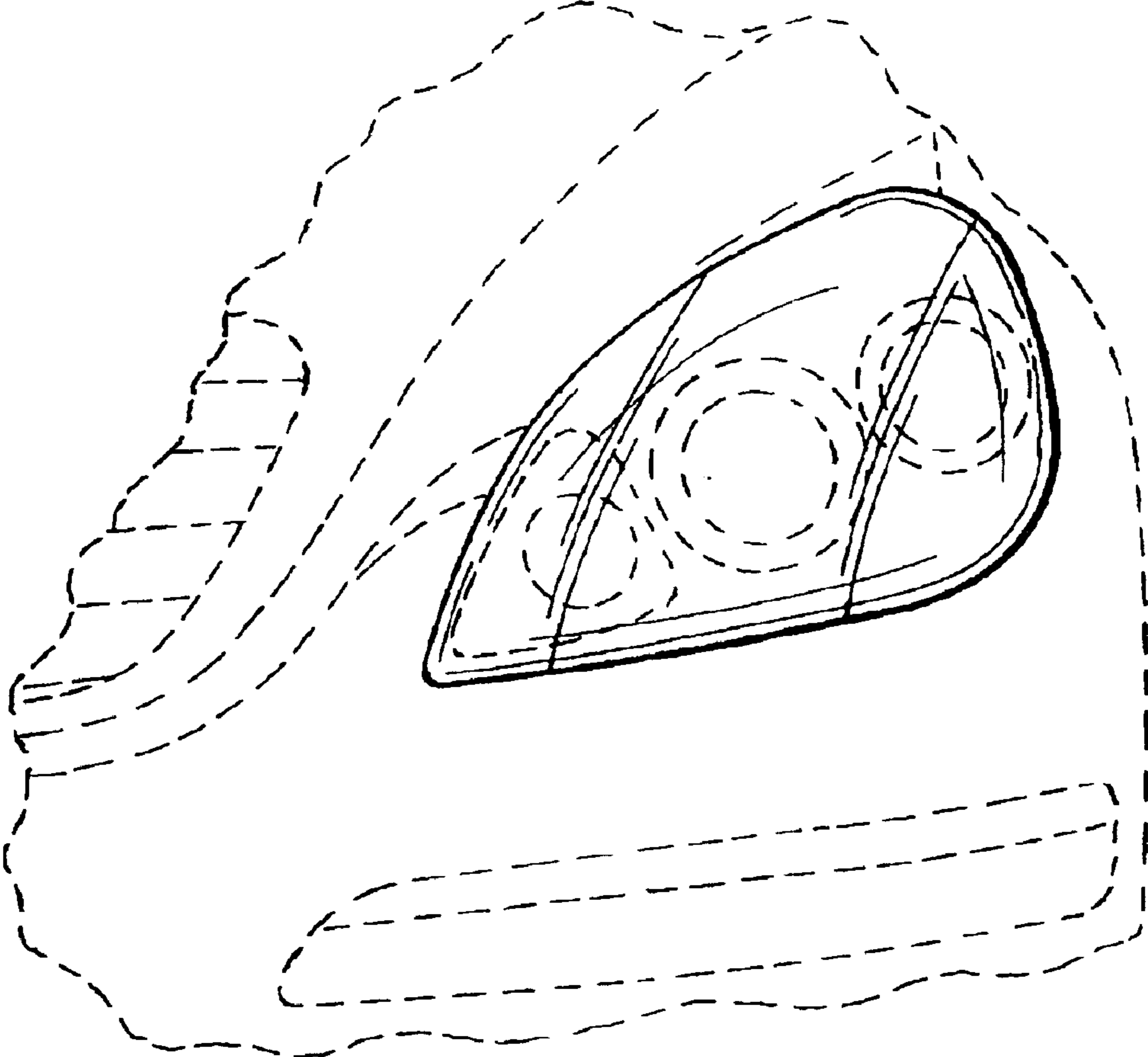


FIG . 3

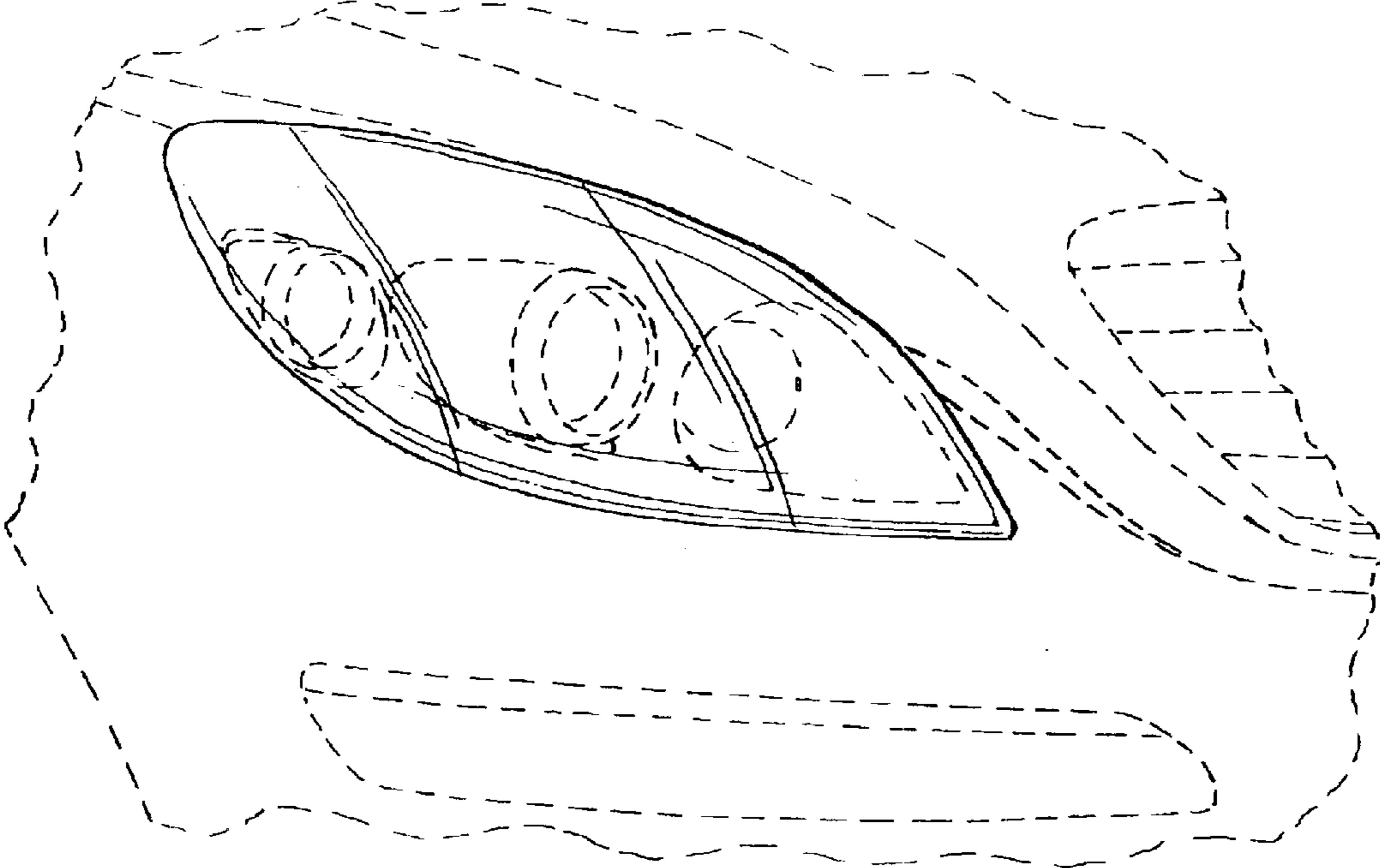


FIG. 4

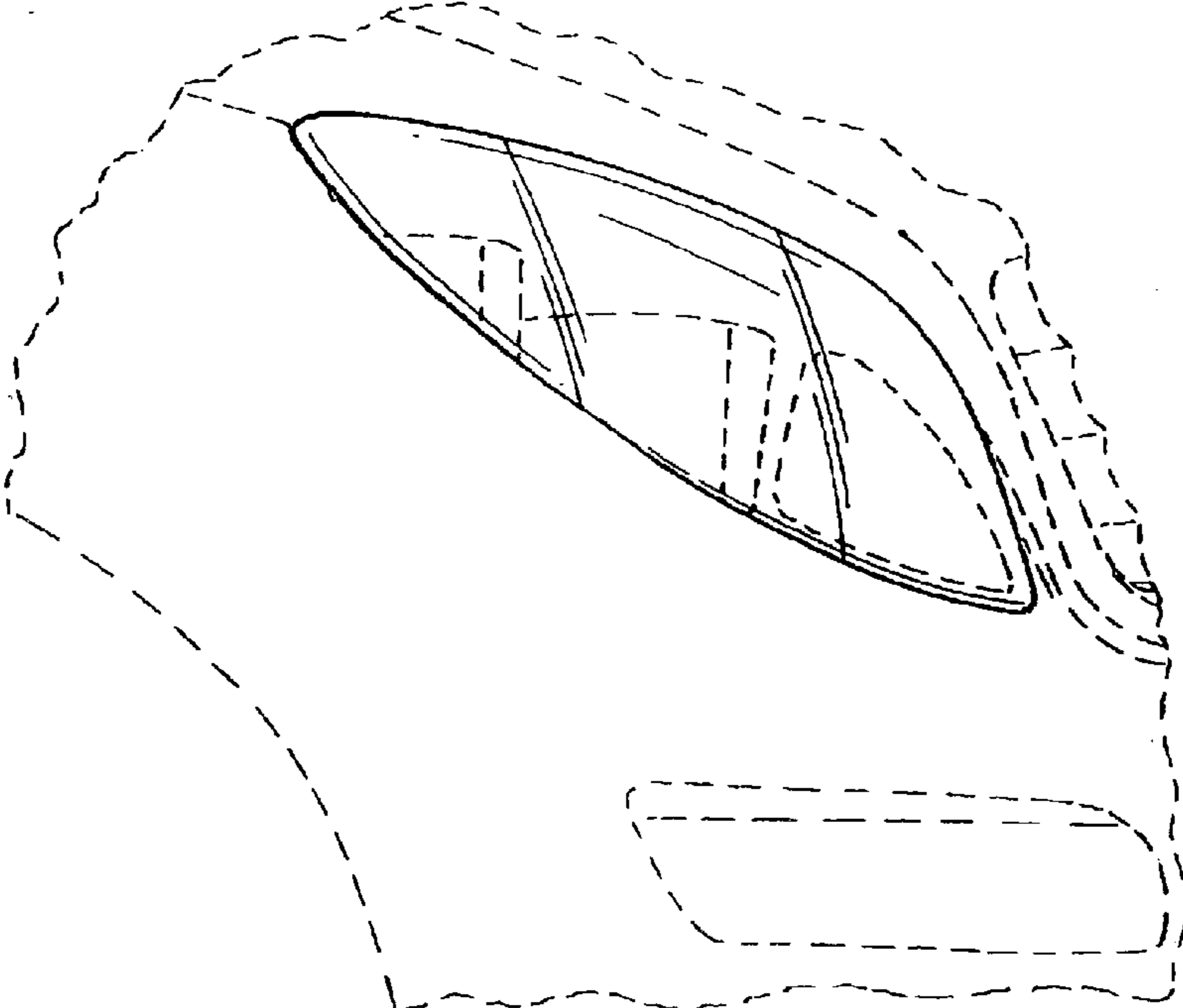


FIG. 5

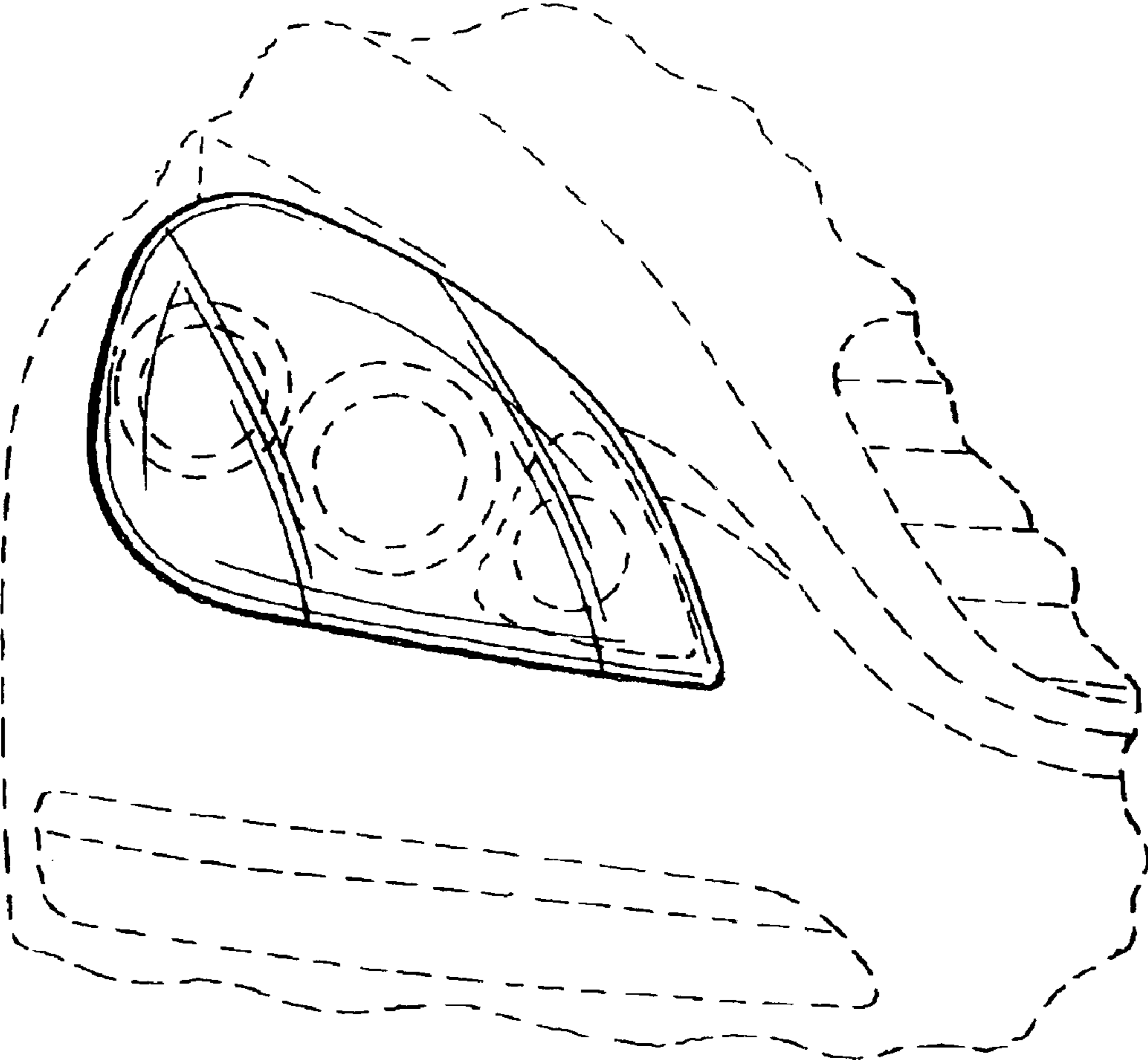


FIG. 6