

US00D508134S

(12) **United States Design Patent**
Bergmann

(10) **Patent No.:** **US D508,134 S**

(45) **Date of Patent:** **** Aug. 2, 2005**

(54) **DOOR FRAME ELEMENT**

6,412,227 B1 * 7/2002 De Zen 49/504

(75) **Inventor:** **Carsten Bergmann, Bremen (DE)**

* cited by examiner

(73) **Assignee:** **Raumplus GmbH & Co. KG, Bremen (DE)**

Primary Examiner—Doris Clark
(74) *Attorney, Agent, or Firm*—Thomas, Kayden, Horstemeyer & Risley LLP; Todd Deveau; Charles Vorndran

(**) **Term:** **14 Years**

(21) **Appl. No.:** **29/209,255**

(57) **CLAIM**

(22) **Filed:** **Jul. 13, 2004**

The ornamental design of a door frame element, as shown and described.

Related U.S. Application Data

DESCRIPTION

(62) Division of application No. 29/190,079, filed on Sep. 15, 2003, now Pat. No. Des. 499,188.

FIG. 1 is a top plan view showing my new door frame element, the door shown in phantom lines is for illustrative purposes only and form no part of the claimed design;

(51) **LOC (8) Cl.** **25-02**

FIG. 2 is a fragmented right side view thereof;

(52) **U.S. Cl.** **D25/60; D25/124**

FIG. 3 is a fragmented back view thereof; the front view being a mirror image thereof;

(58) **Field of Search** **D25/124, 60; 52/205, 52/206, 204.1, 207; 40/504, 505**

FIG. 4 is a fragmented left side view thereof; and,

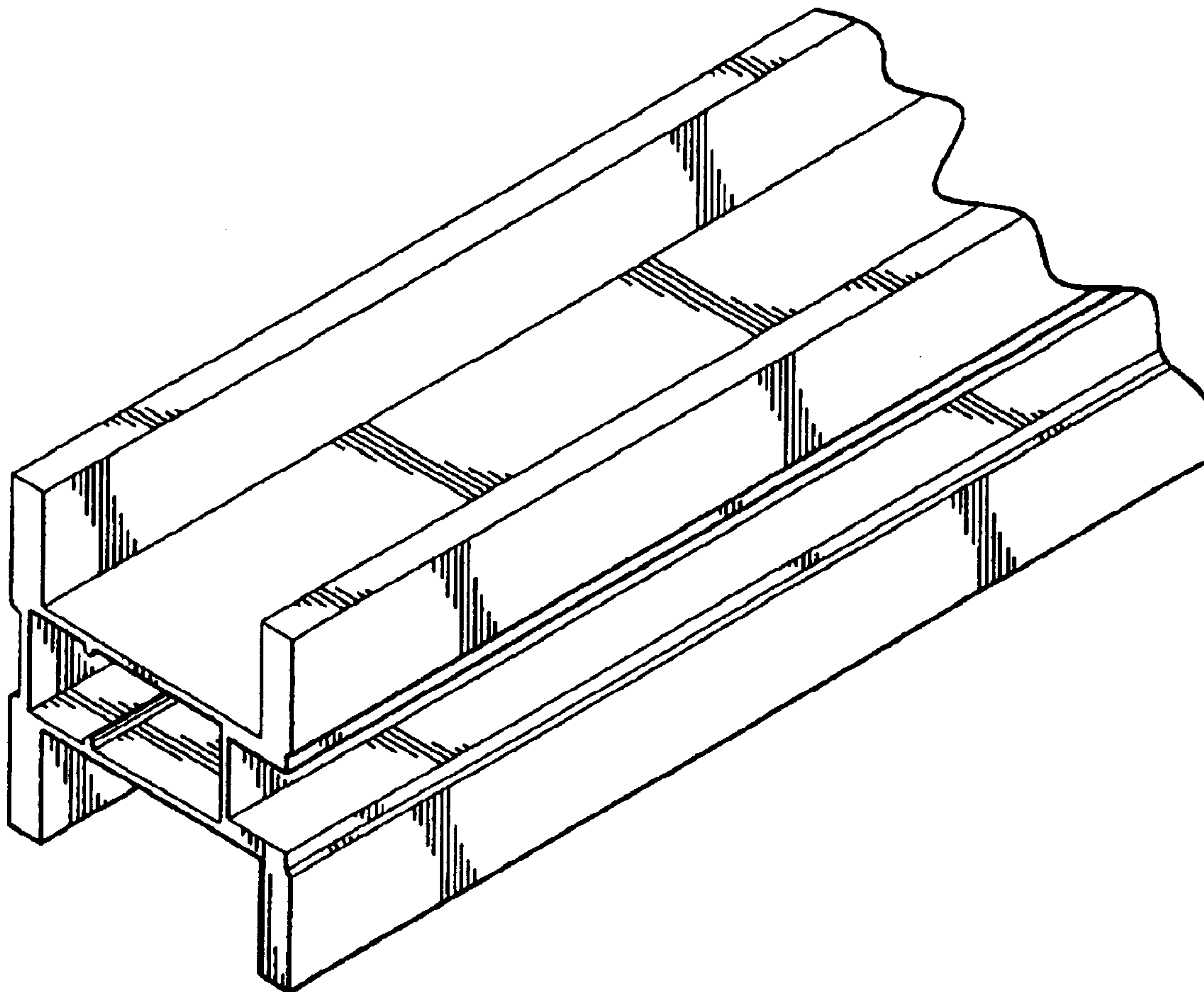
FIG. 5 is a fragmented perspective view thereof.

(56) **References Cited**

U.S. PATENT DOCUMENTS

D450,393 S * 11/2001 Roberts et al. D25/60

1 Claim, 5 Drawing Sheets



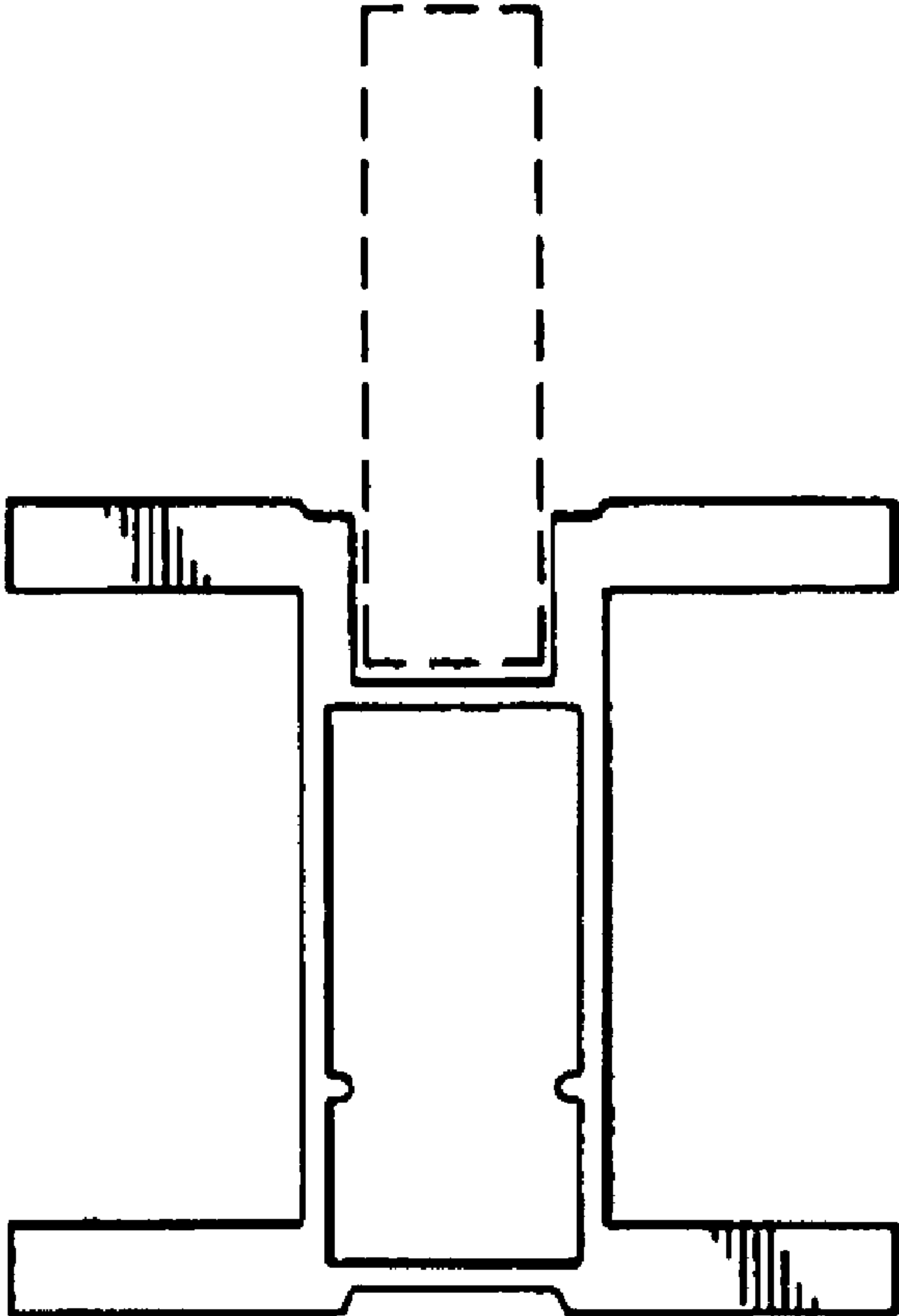


FIG. 1

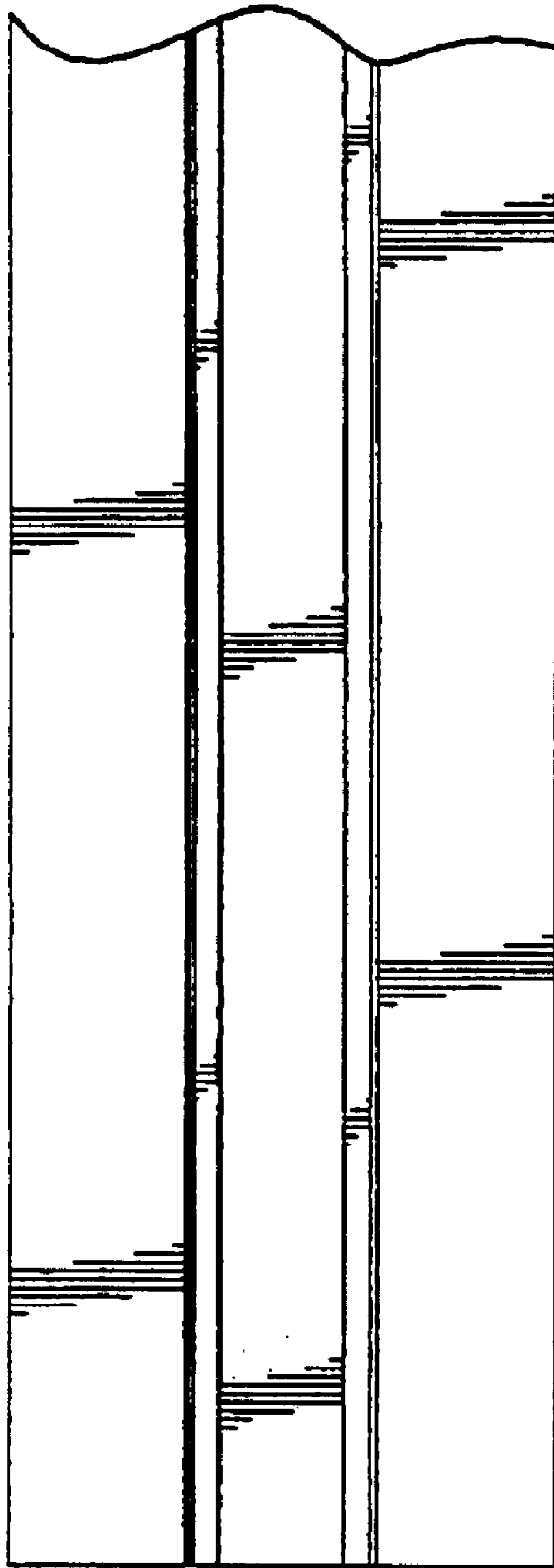


FIG. 2

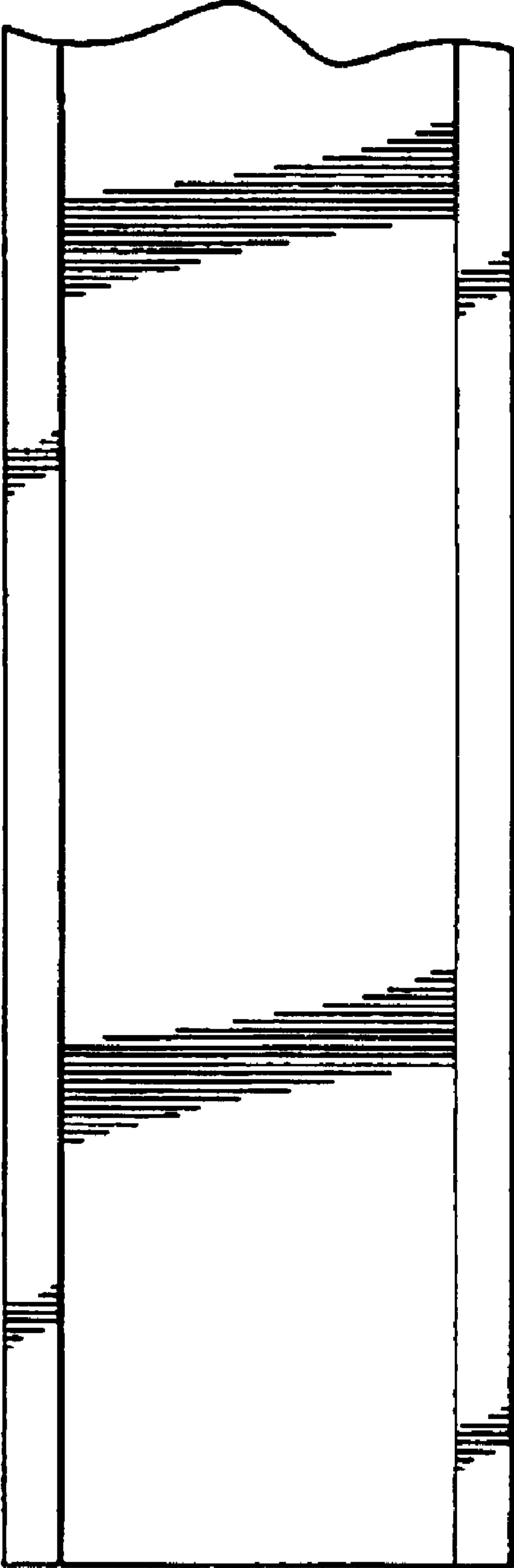


FIG. 3

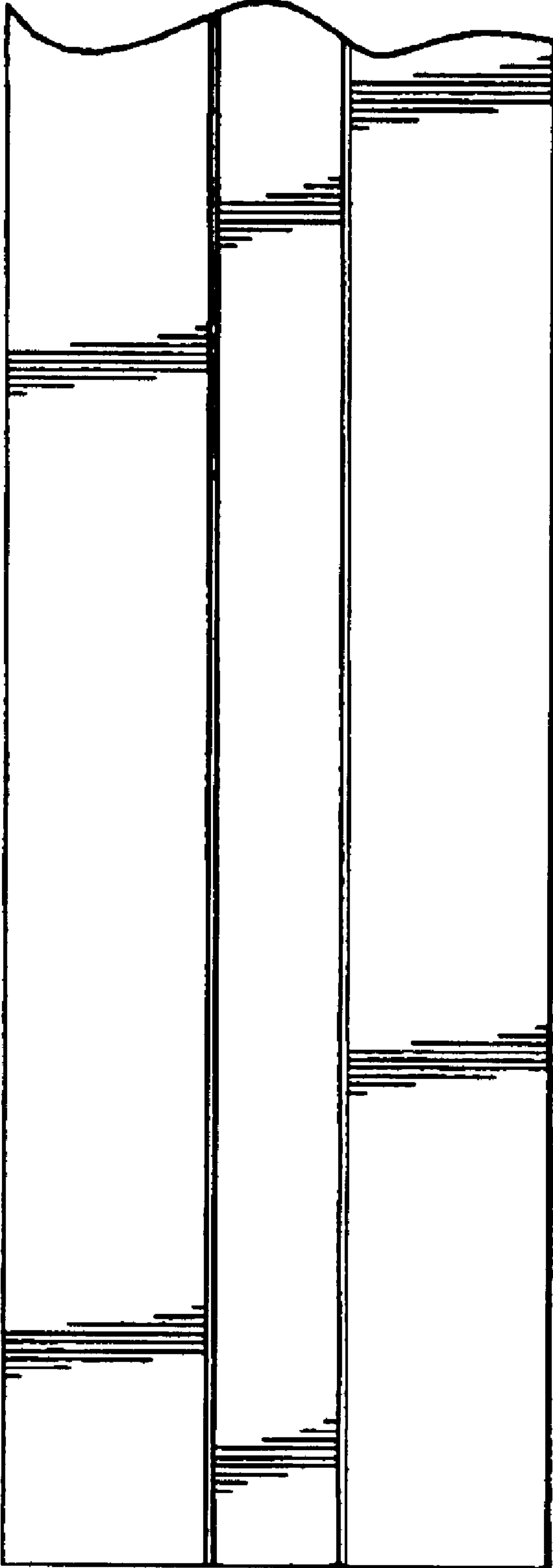


FIG. 4

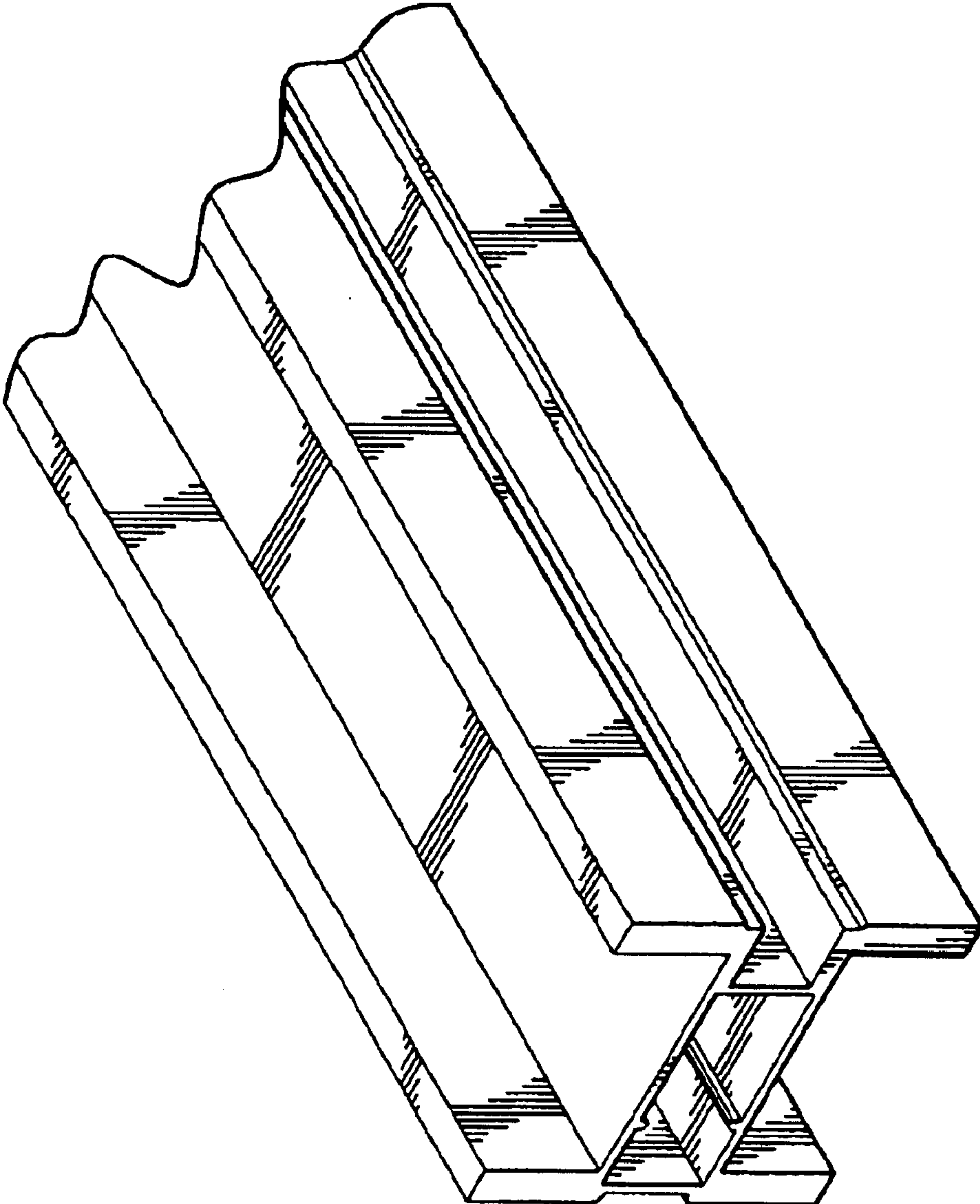


FIG. 5