



US00D508131S

(12) **United States Design Patent** (10) **Patent No.:** **US D508,131 S**
Kent et al. (45) **Date of Patent:** **** Aug. 2, 2005**

(54) **THERAPEUTIC DEVICE**
(75) Inventors: **Marsha Kent**, Austin, TX (US); **Ron Lynch**, Austin, TX (US)
(73) Assignee: **Sylmark Holdings Limited (IE)**
(**) Term: **14 Years**
(21) Appl. No.: **29/212,440**
(22) Filed: **Aug. 31, 2004**

6,537,302 B1 3/2003 Thiberg
6,602,245 B1 8/2003 Thiberg
6,602,275 B1 8/2003 Sullivan
D480,480 S 10/2003 Lomborg et al.
D482,127 S 11/2003 Rhoades
D484,625 S 12/2003 Chang
6,689,124 B1 2/2004 Thiberg
6,702,837 B2 3/2004 Gutwein
2002/0198575 A1 12/2002 Sullivan
2003/0187486 A1 10/2003 Savage et al.
2003/0199946 A1 10/2003 Gutwein
2004/0044384 A1 3/2004 Leber et al.
2004/0147984 A1 7/2004 Altshuler et al.

Related U.S. Application Data

(62) Division of application No. 29/200,787, filed on Mar. 3, 2004.
(51) **LOC (8) Cl.** **28-03**
(52) **U.S. Cl.** **D24/210; D24/209**
(58) **Field of Search** **D24/209, 210;**
606/2, 1, 3, 9, 10, 13; 362/572, 800, 804;
607/88, 89, 90; D26/37

Primary Examiner—Ian Simmons

(74) *Attorney, Agent, or Firm*—Kathy Mojibi Kavcioglu

(57) **CLAIM**

We claim the ornamental design for the therapeutic device, as shown and described.

DESCRIPTION

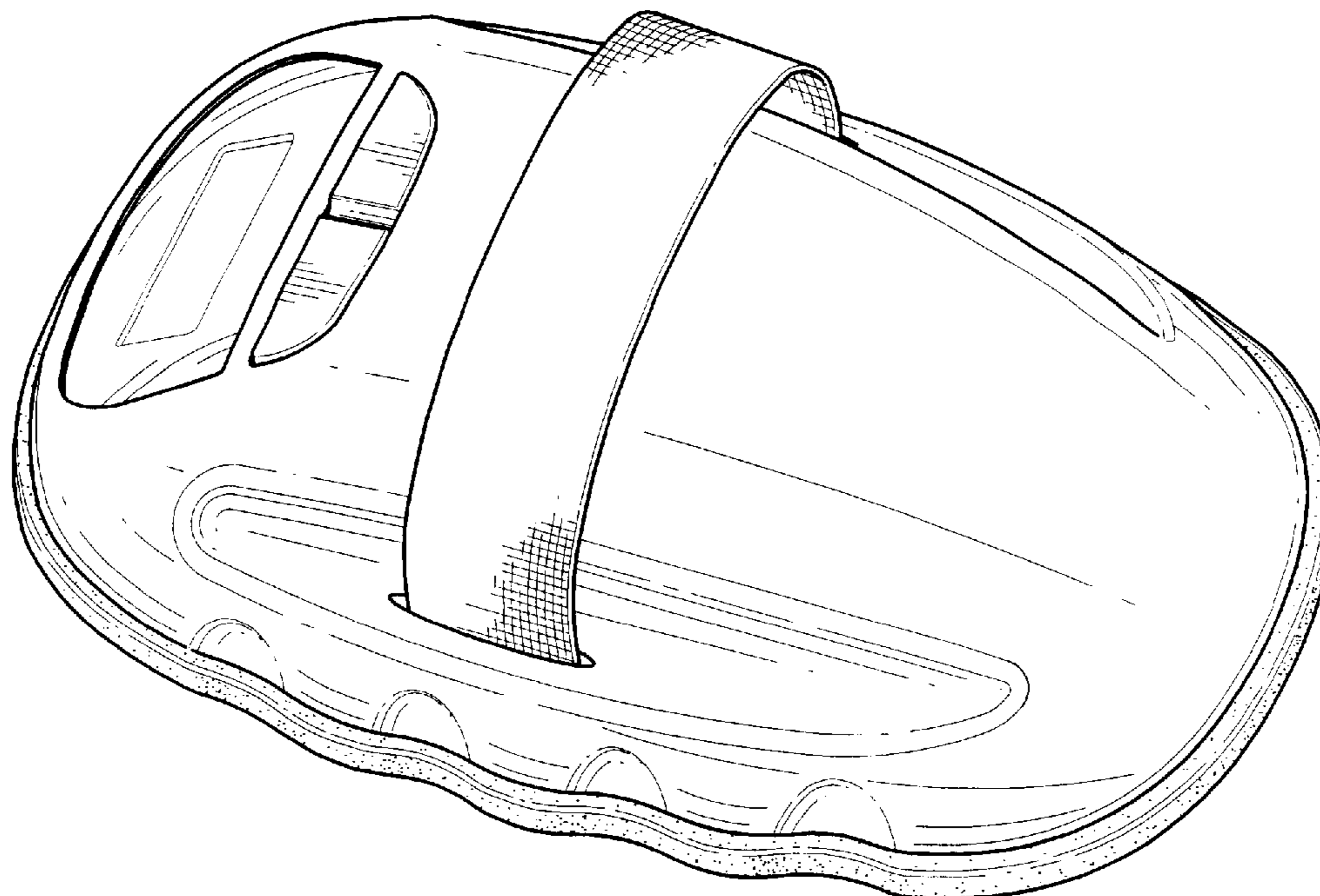
FIG. 1 is a perspective view of a therapeutic device showing our new design, the broken line showing is for illustrative purposes only and forms no part of the claimed design; FIG. 2 is a top plan view thereof; FIG. 3 is a bottom plan view thereof; FIG. 4 is a side elevational view thereof; FIG. 5 is a front elevational view thereof; and, FIG. 6 is a rear elevational view thereof. The broken lines in the figures are for illustrative purposes only and form no part of the claimed design.

(56) **References Cited**

U.S. PATENT DOCUMENTS

D331,288 S 11/1992 Yuen
5,358,503 A 10/1994 Bertwell et al.
5,913,883 A 6/1999 Alexander et al.
D428,503 S 7/2000 Rann et al.
D436,199 S 1/2001 Lam
6,221,095 B1 4/2001 Van Zuylen et al.
D441,456 S 5/2001 Thiberg
D450,389 S 11/2001 Chang
6,471,716 B1 10/2002 Pecukonis

1 Claim, 3 Drawing Sheets



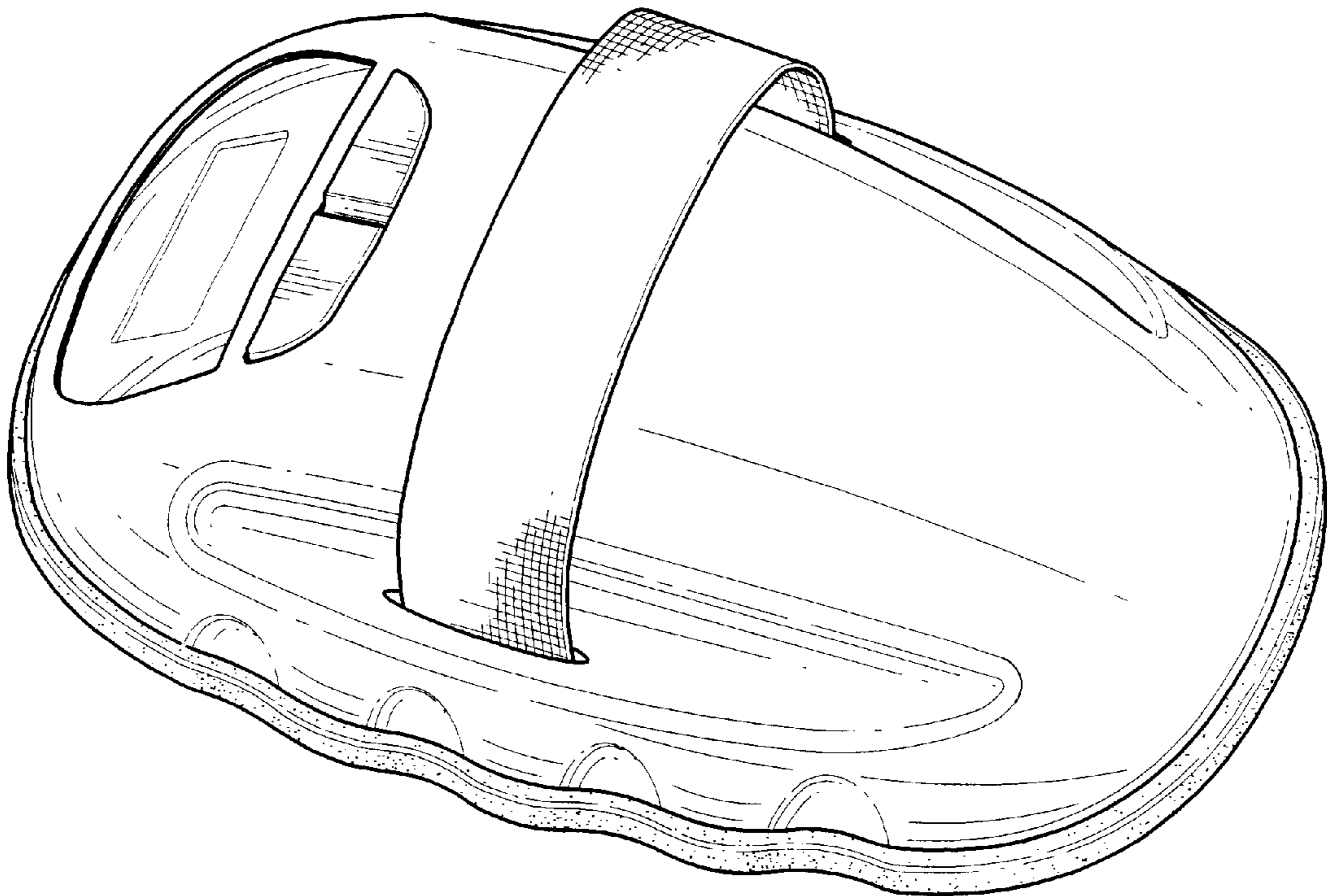


FIG. 1

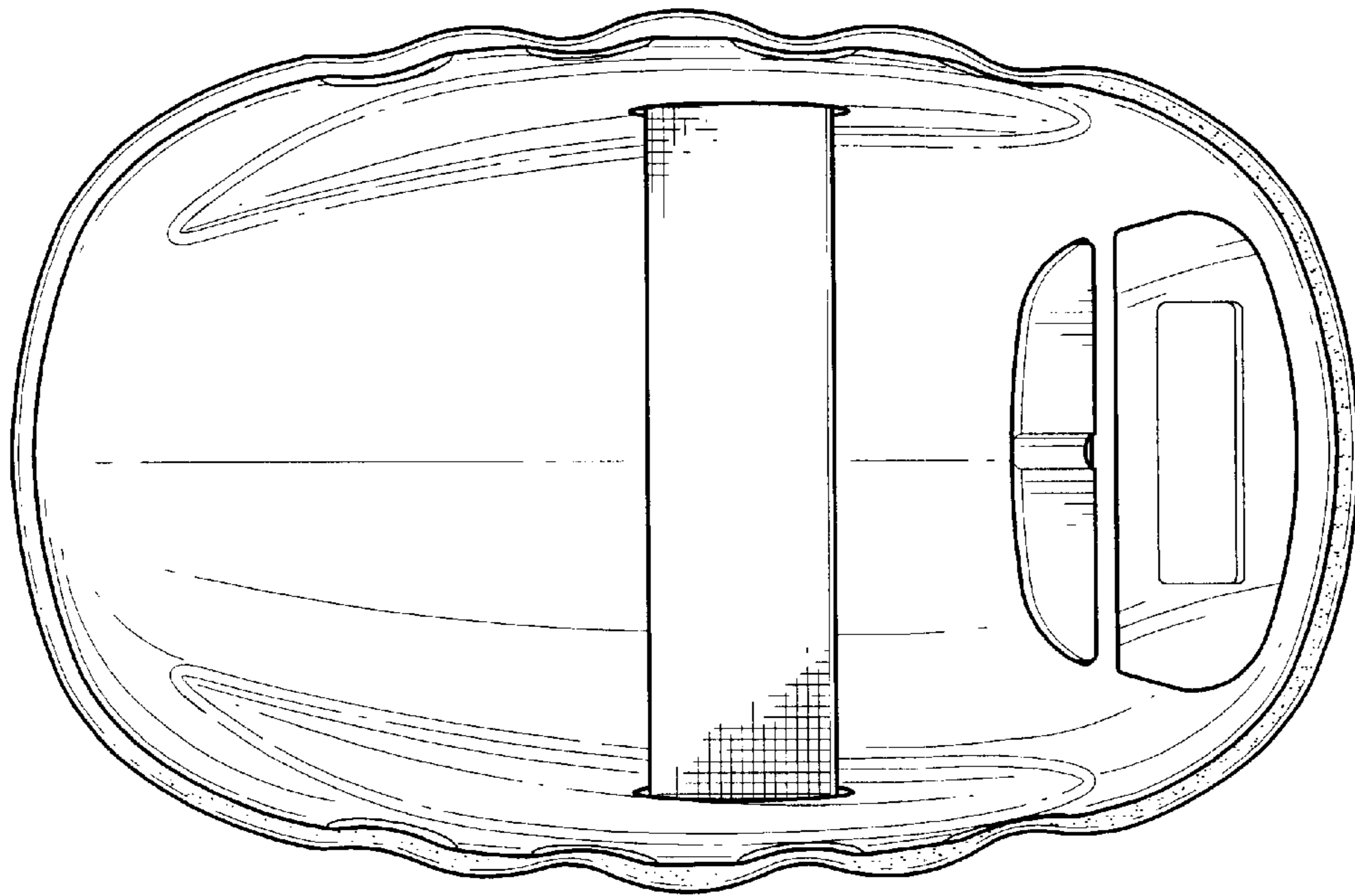


FIG. 2

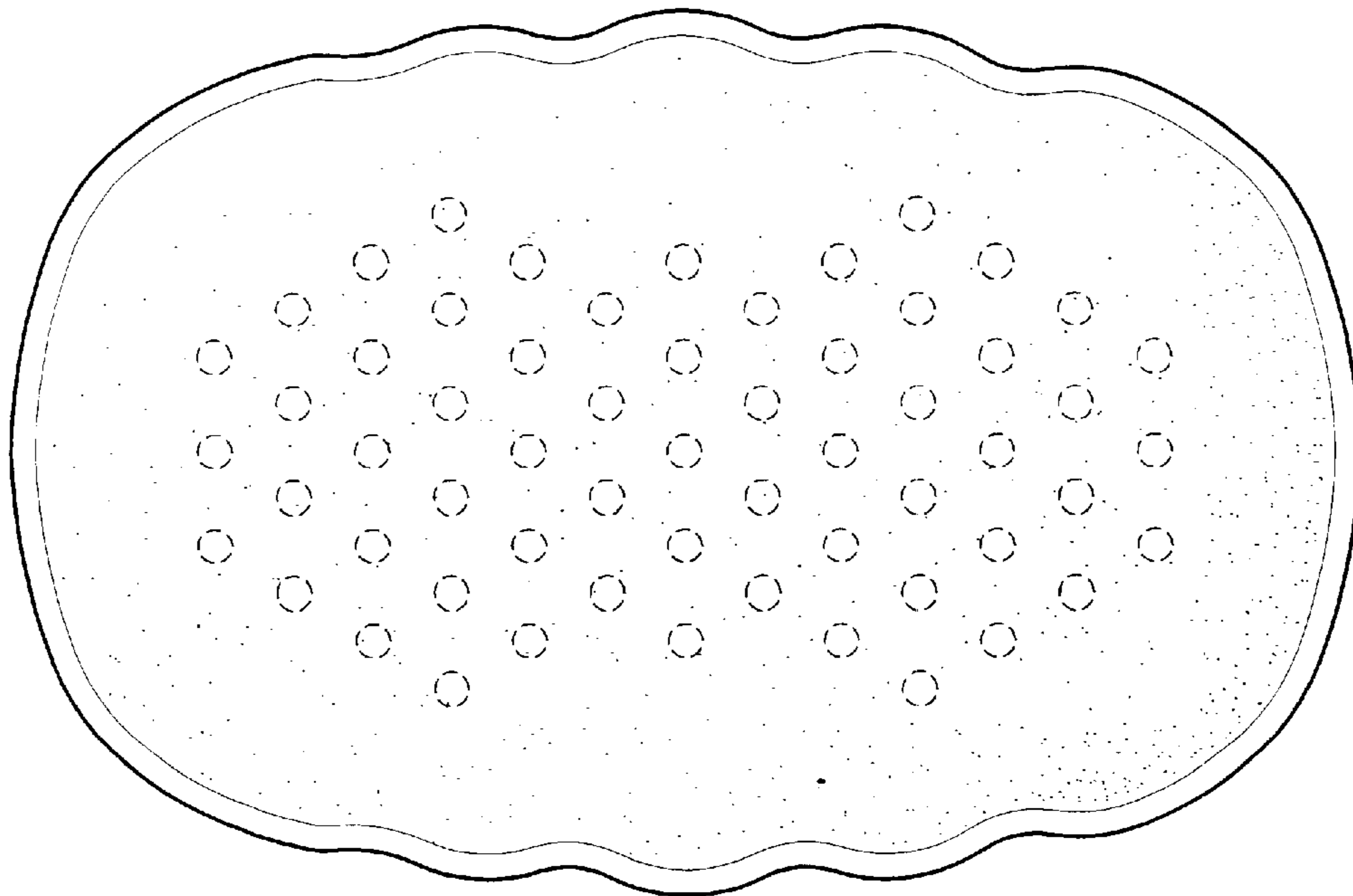


FIG. 3

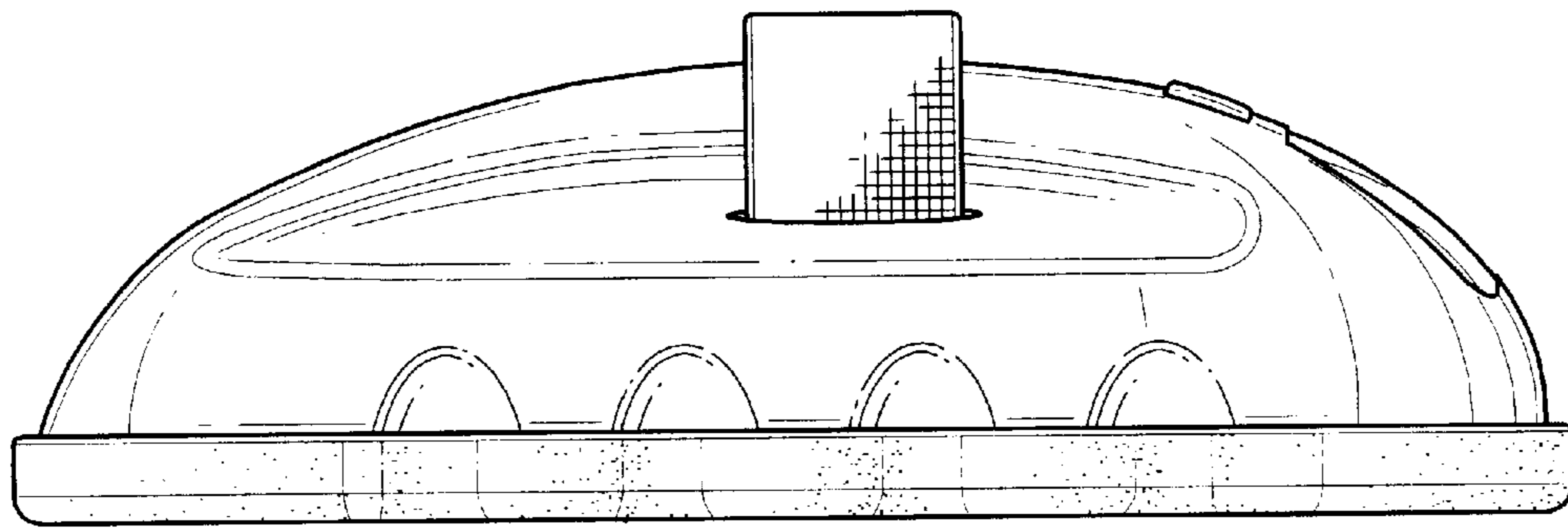


FIG. 4

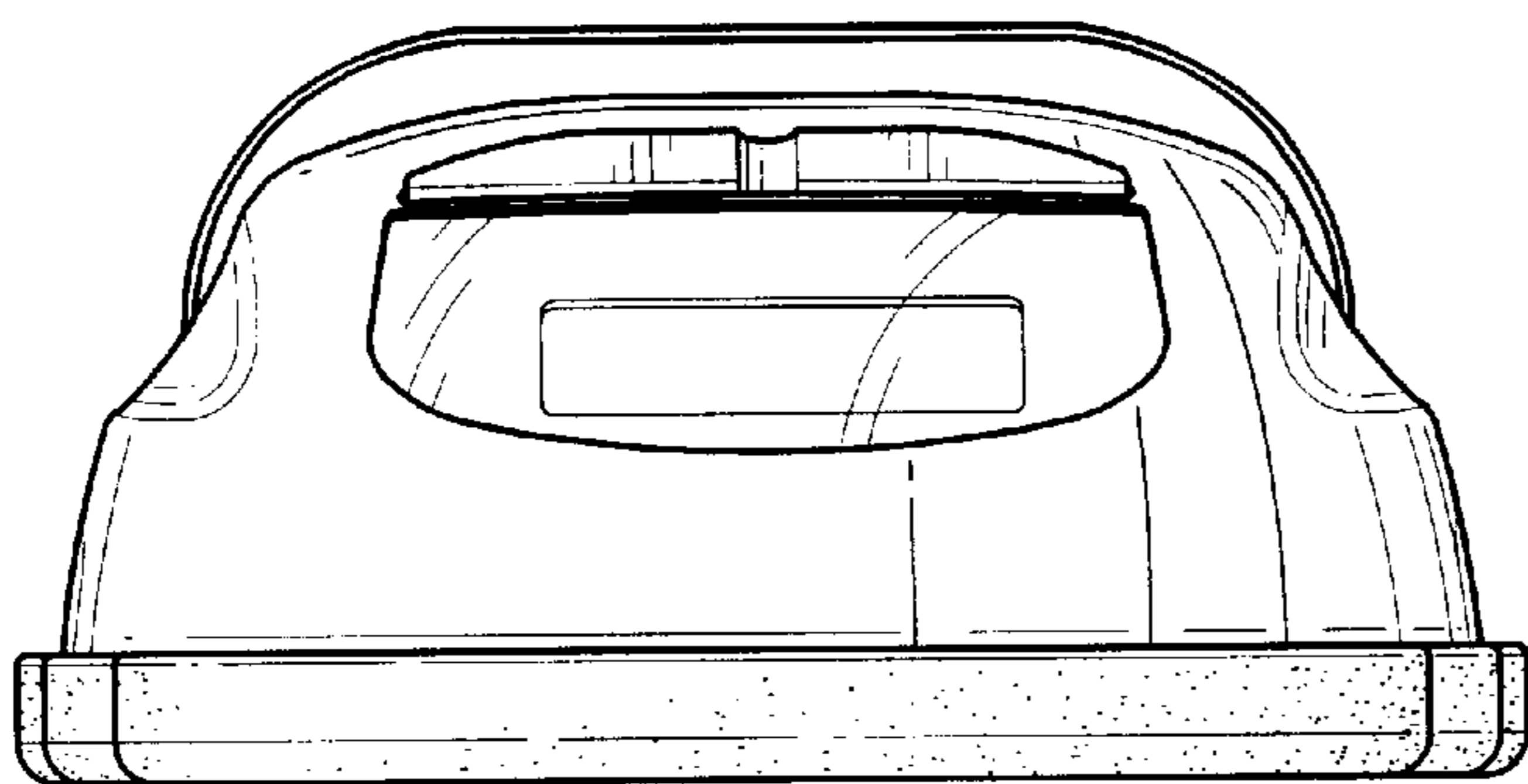


FIG. 5

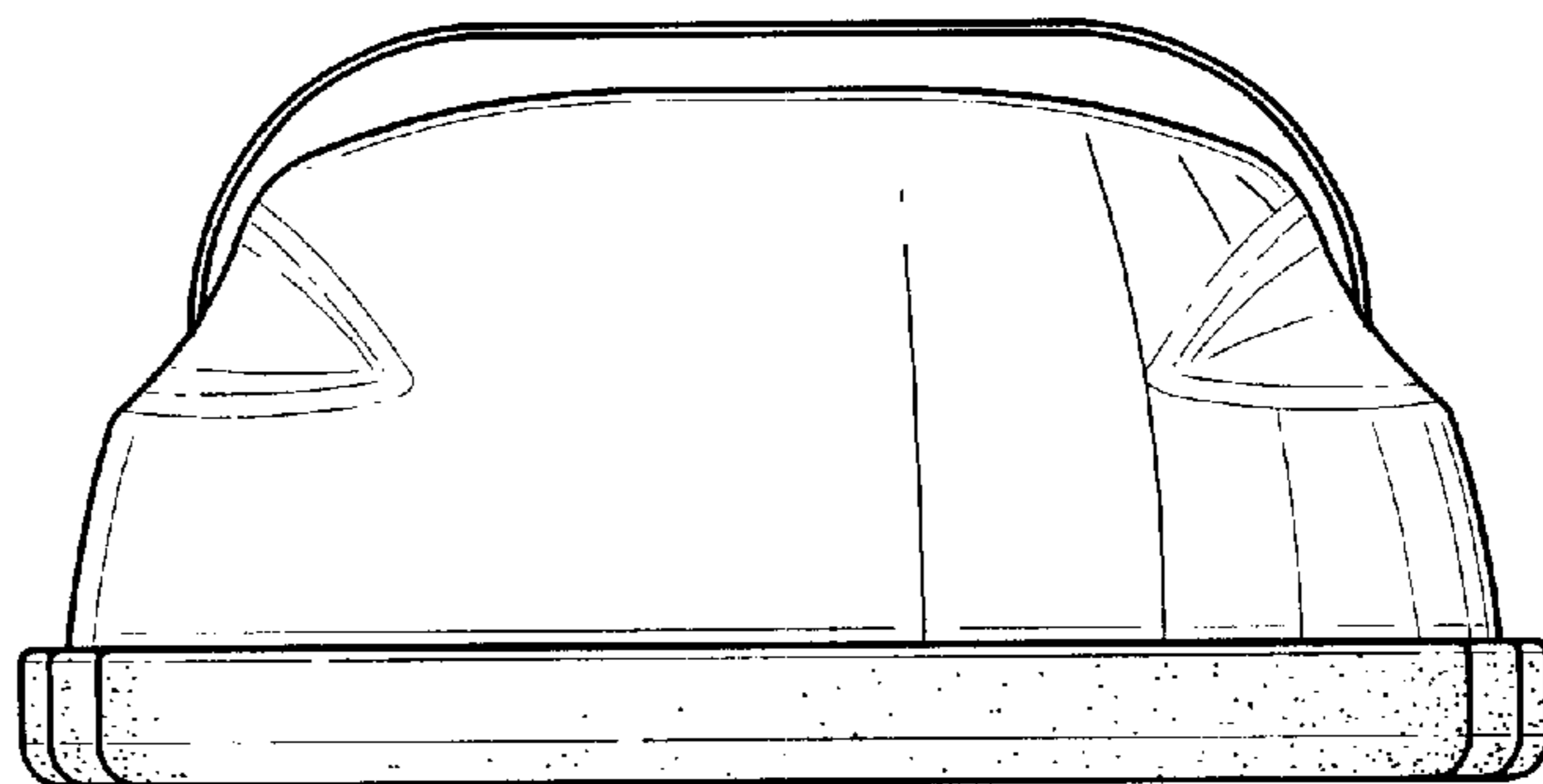


FIG. 6