



US00D508130S

(12) **United States Design Patent**
Hueton

(10) **Patent No.:** **US D508,130 S**

(45) **Date of Patent:** **** Aug. 2, 2005**

(54) **PROTECTOR FOR A RADIOGRAPHY
SENSOR PAD**

5,128,978 A * 7/1992 Roth et al. 378/185
5,185,776 A * 2/1993 Townsend 378/167

(75) Inventor: **Iain Hueton**, Ogden, UT (US)

* cited by examiner

(73) Assignee: **Eklin Medical Systems, Inc.**,
Sunnyvale, CA (US)

Primary Examiner—Ian Simmons

Assistant Examiner—Daniel Yu

(**) Term: **14 Years**

(74) *Attorney, Agent, or Firm*—Burns Doane Swecker &
Mathis, L.L.P.

(21) Appl. No.: **29/180,334**

(57) **CLAIM**

(22) Filed: **Apr. 21, 2003**

The ornamental design for a protector for a radiography
sensor pad, as shown and described.

(51) **LOC (8) Cl.** **24-01**

DESCRIPTION

(52) **U.S. Cl.** **D24/158**

(58) **Field of Search** D24/158, 161;
378/182, 181, 172, 173, 169, 167, 185;
206/455, 456; 250/515.1, 484.4, 485.1

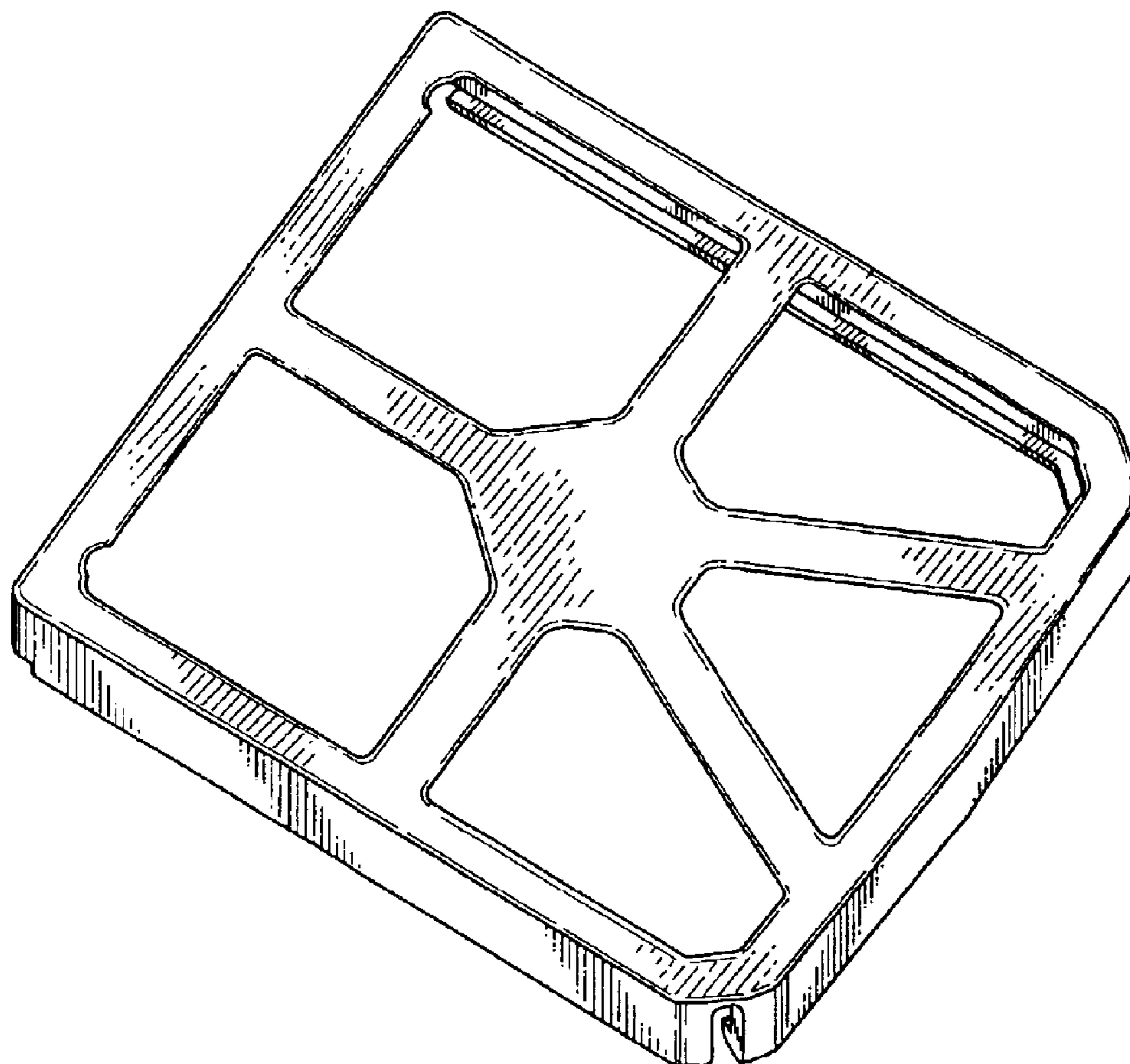
FIG. 1. is a bottom perspective view.
FIG. 2 is a bottom plan view.
FIG. 3 is a top plan view.
FIG. 4 is a first side view.
FIG. 5 is a second side view.
FIG. 6 is a third side view; and,
FIG. 7 is a fourth side view.

(56) **References Cited**

U.S. PATENT DOCUMENTS

D241,981 S * 10/1976 Miller D24/161
5,101,423 A * 3/1992 Okamoto et al. 378/182

1 Claim, 4 Drawing Sheets



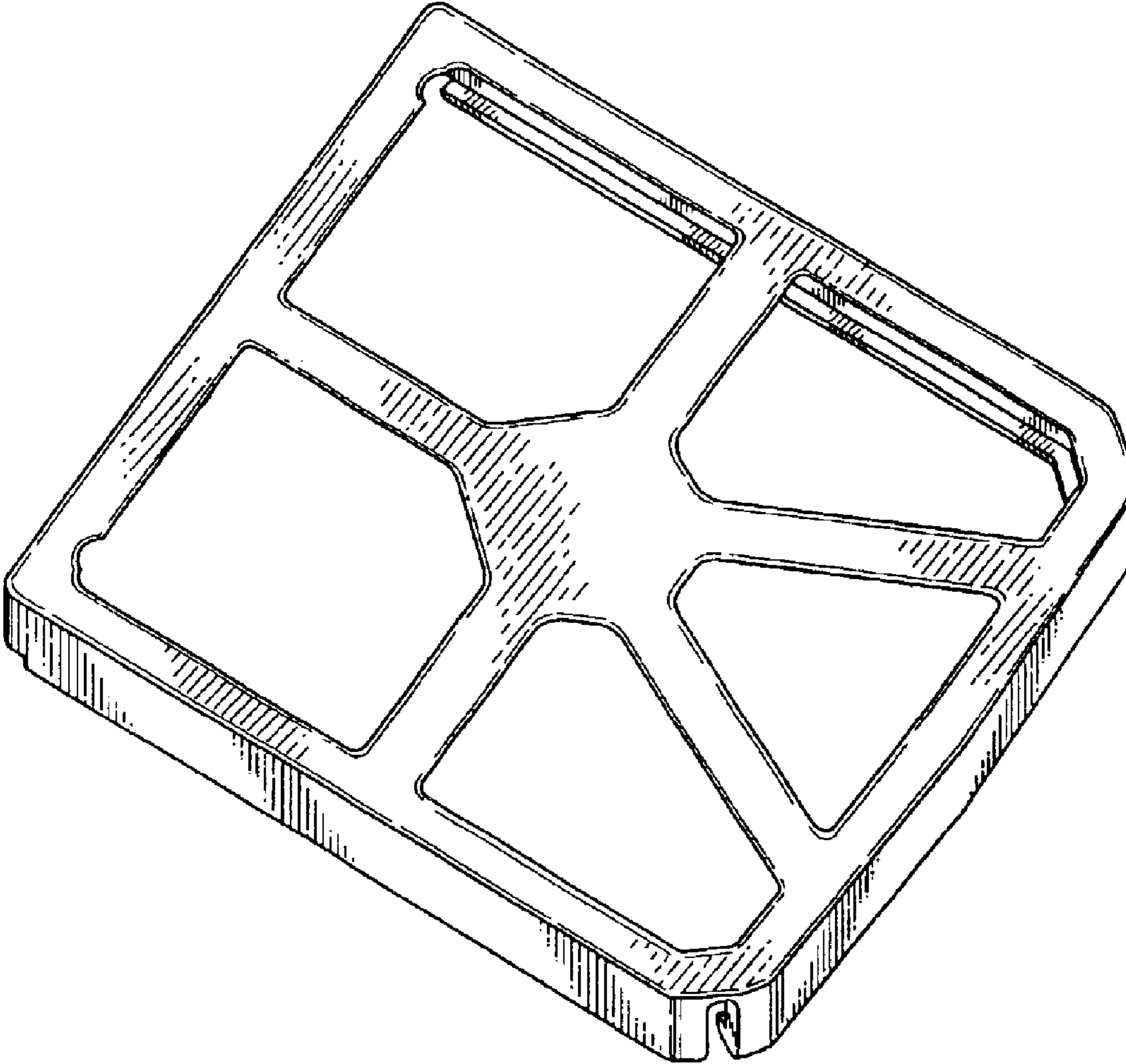


FIG. 1

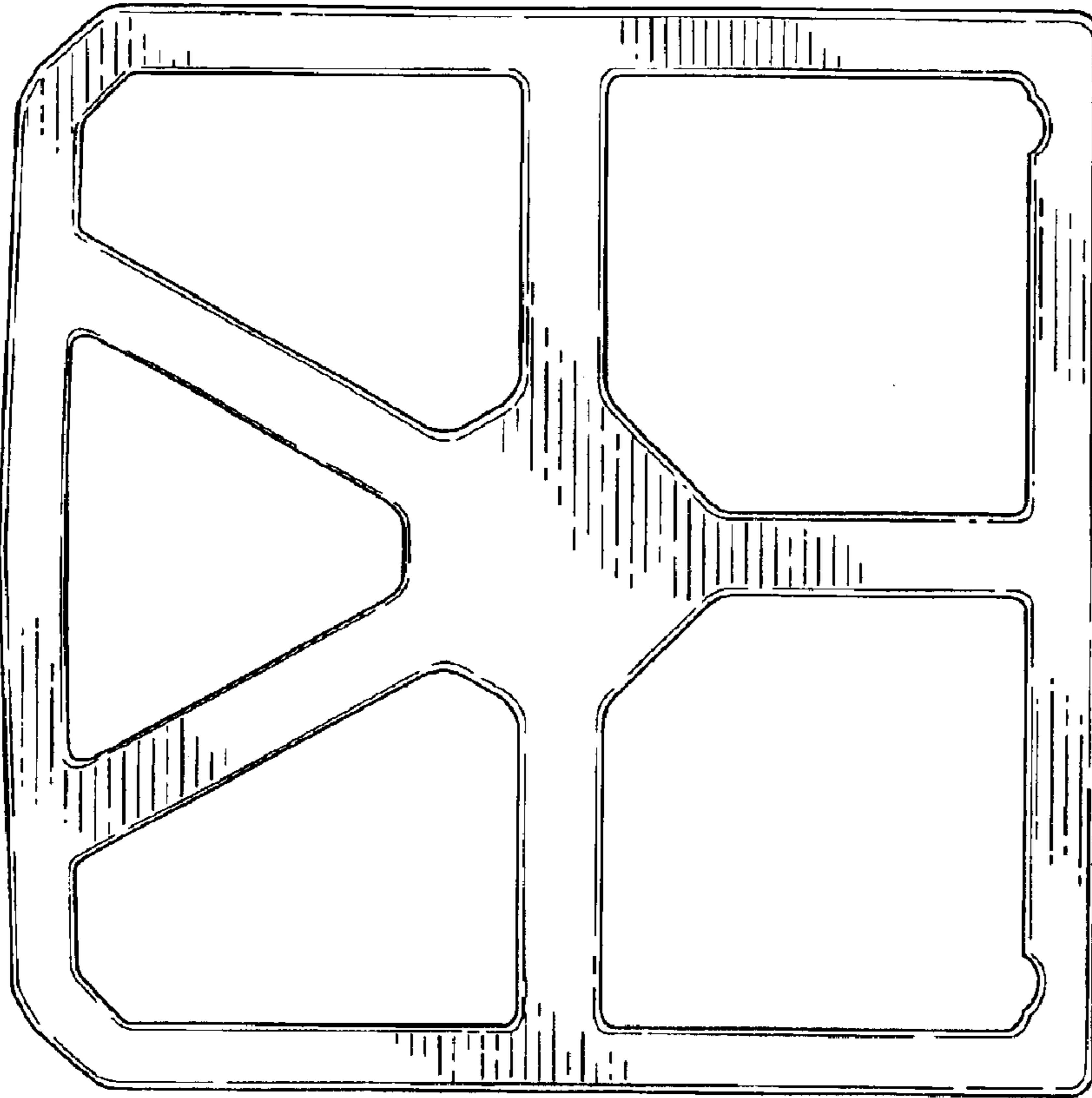


FIG. 2

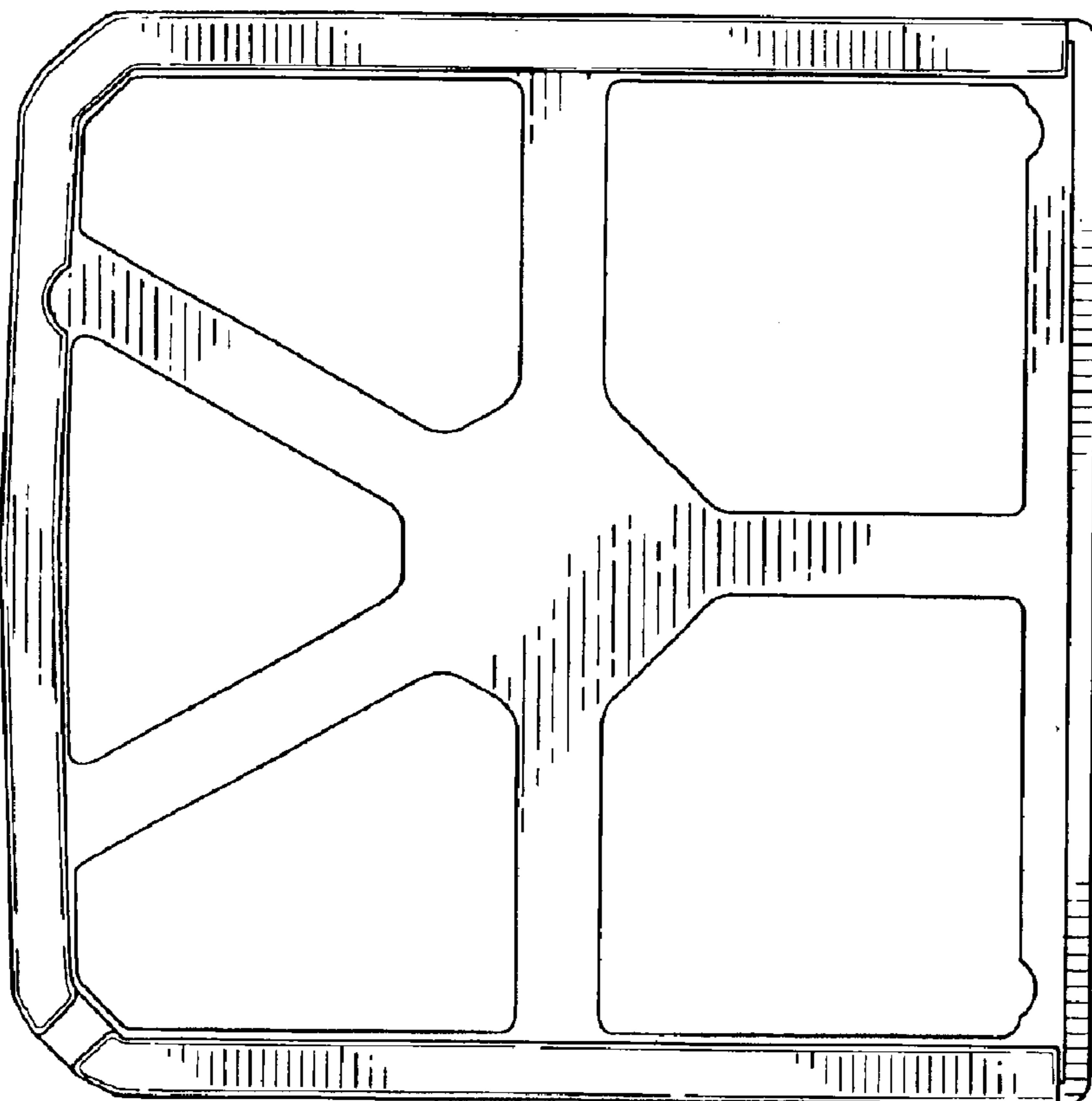


FIG. 3

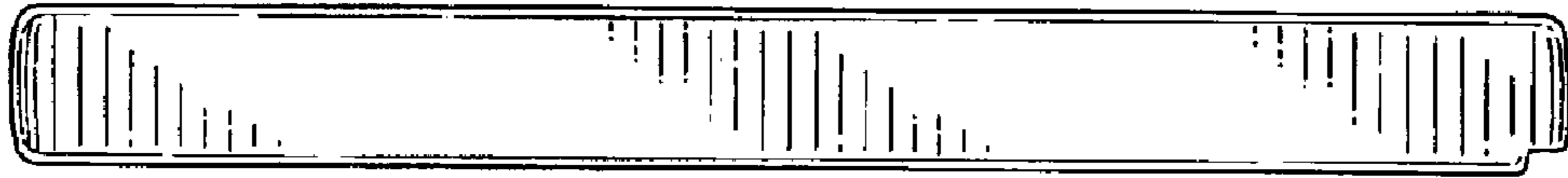


FIG. 5



FIG. 4

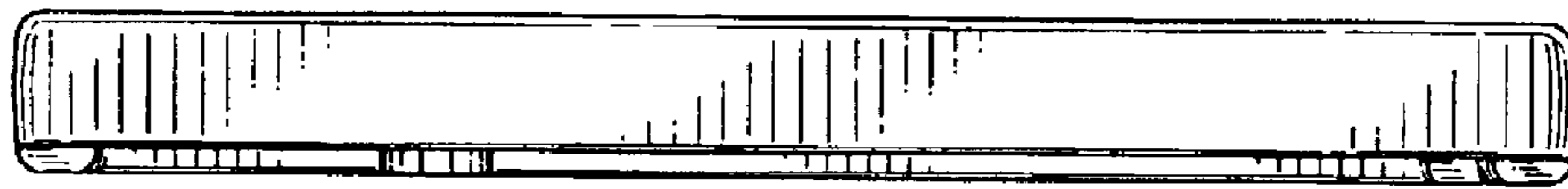


FIG. 6

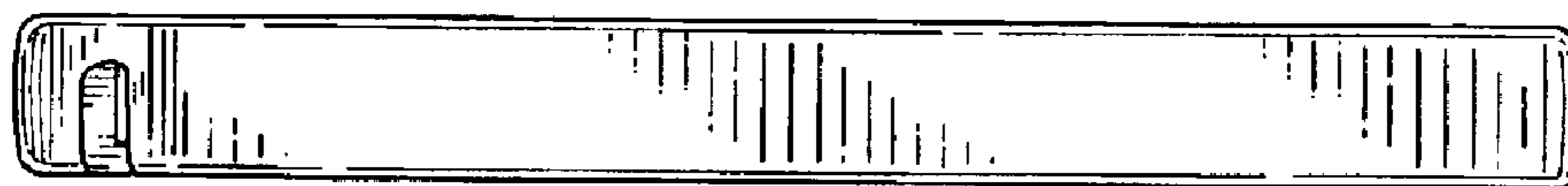


FIG. 7