

US00D508129S

(12) **United States Design Patent**
Fard et al.

(10) **Patent No.:** **US D508,129 S**
(45) **Date of Patent:** **** Aug. 2, 2005**

(54) **PLUG**

D475,457 S * 6/2003 McCombs D24/129
6,817,996 B2 * 11/2004 Fard et al. 604/542
2003/0125681 A1 7/2003 Fard

(75) Inventors: **Michael Fard**, Charlottesville, VA
(US); **Richard Davis**, Grand Rapids,
MI (US)

* cited by examiner

(73) Assignee: **MicroAire Surgical Instruments, Inc.**,
Charlottesville, VA (US)

Primary Examiner—Ian Simmons
(74) *Attorney, Agent, or Firm*—Greenblum & Bernstein,
P.L.C.

(**) Term: **14 Years**

(57) **CLAIM**

(21) Appl. No.: **29/177,179**

We claim the ornamental design for a plug, as shown.

(22) Filed: **Mar. 6, 2003**

DESCRIPTION

(51) **LOC (8) Cl.** **24-02**

FIG. 1 is a perspective view of the plug of the present invention;

(52) **U.S. Cl.** **D24/129; D24/108**

FIG. 2 is a front view of the plug of the present invention;

(58) **Field of Search** D24/108, 129;

FIG. 3 is a side plan view of the plug of the present invention;

D23/235, 233; 604/353, 542, 22, 19, 30,
34, 35, 540, 541, 90, 99.02, 167.03, 167.02,

FIG. 4 is a rear plan view of the plug of the present invention;

236, 237, 238

FIG. 5 is a bottom view of the plug of the present invention;
and,

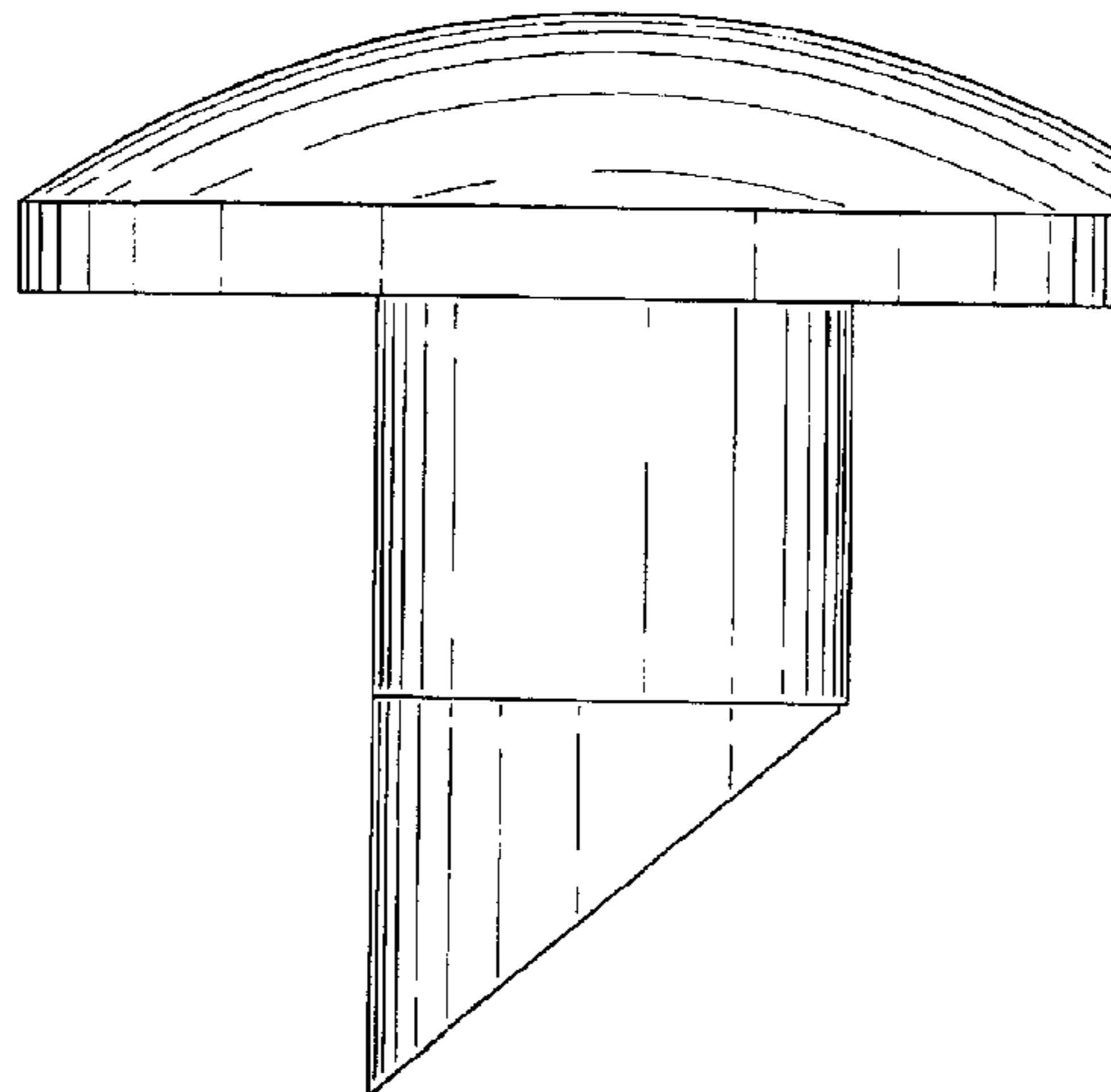
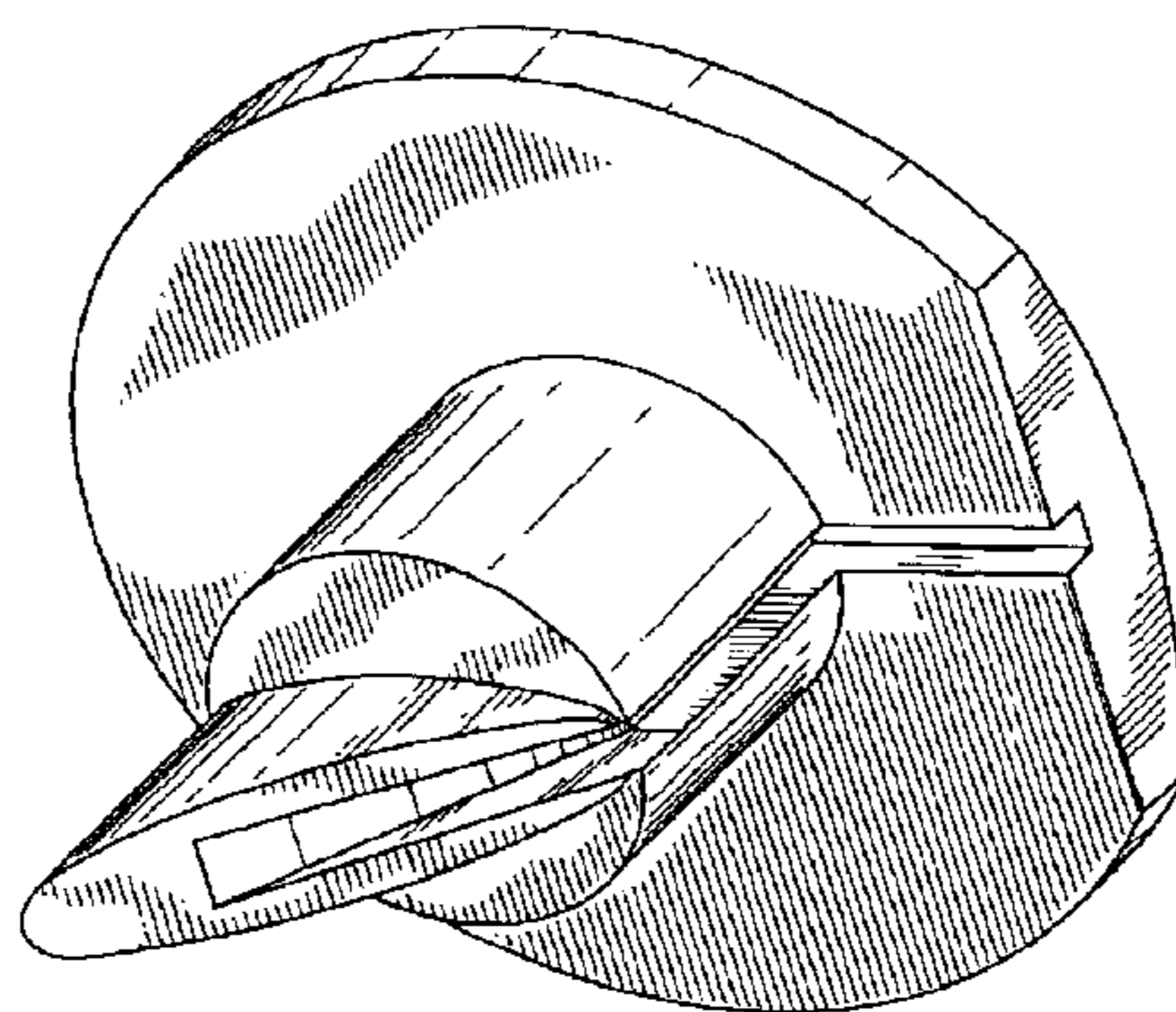
(56) **References Cited**

FIG. 6 is a top plan view of the plug of the present invention.

U.S. PATENT DOCUMENTS

4,356,823 A * 11/1982 Jackson 604/902

1 Claim, 6 Drawing Sheets



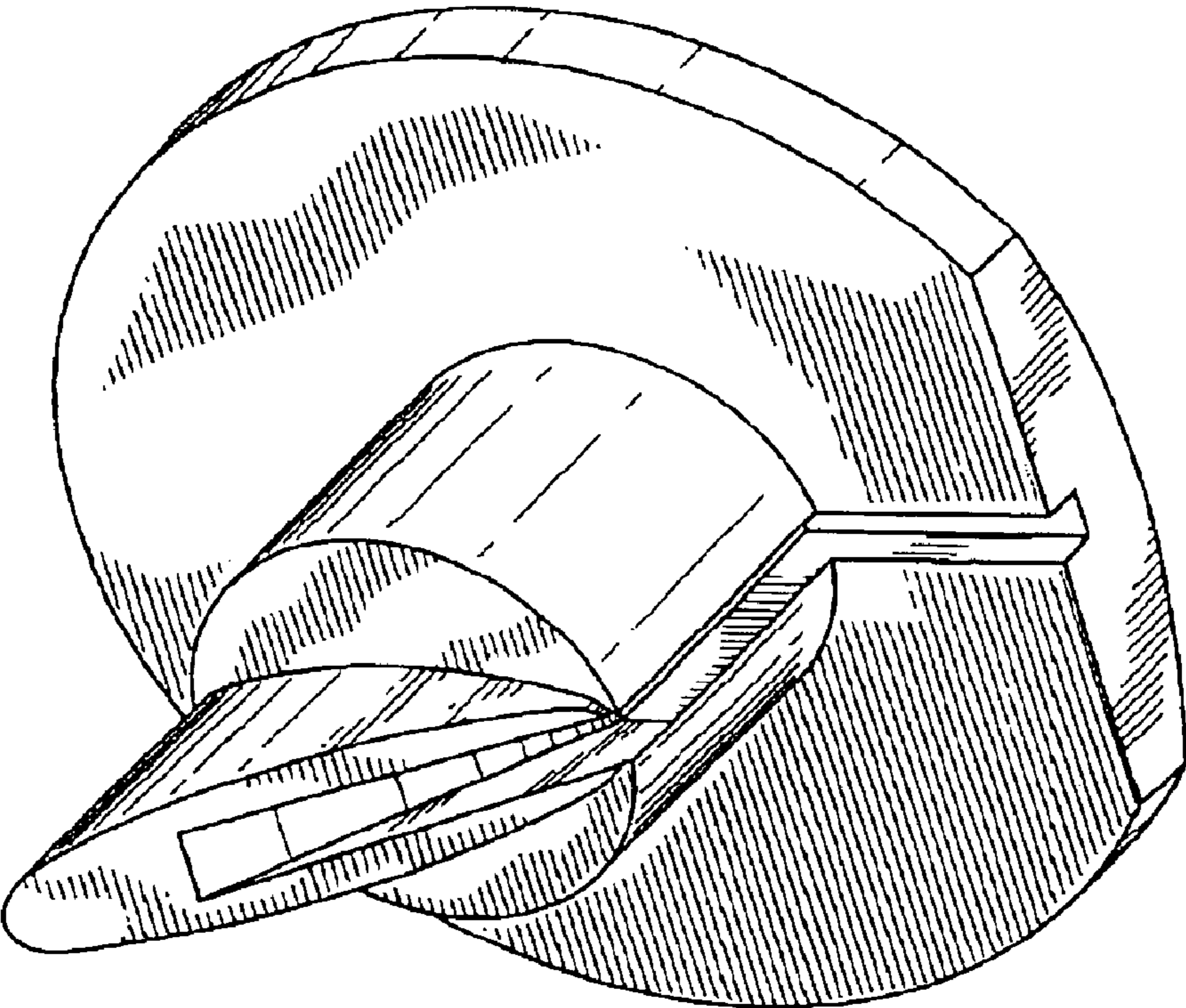


FIG. 1

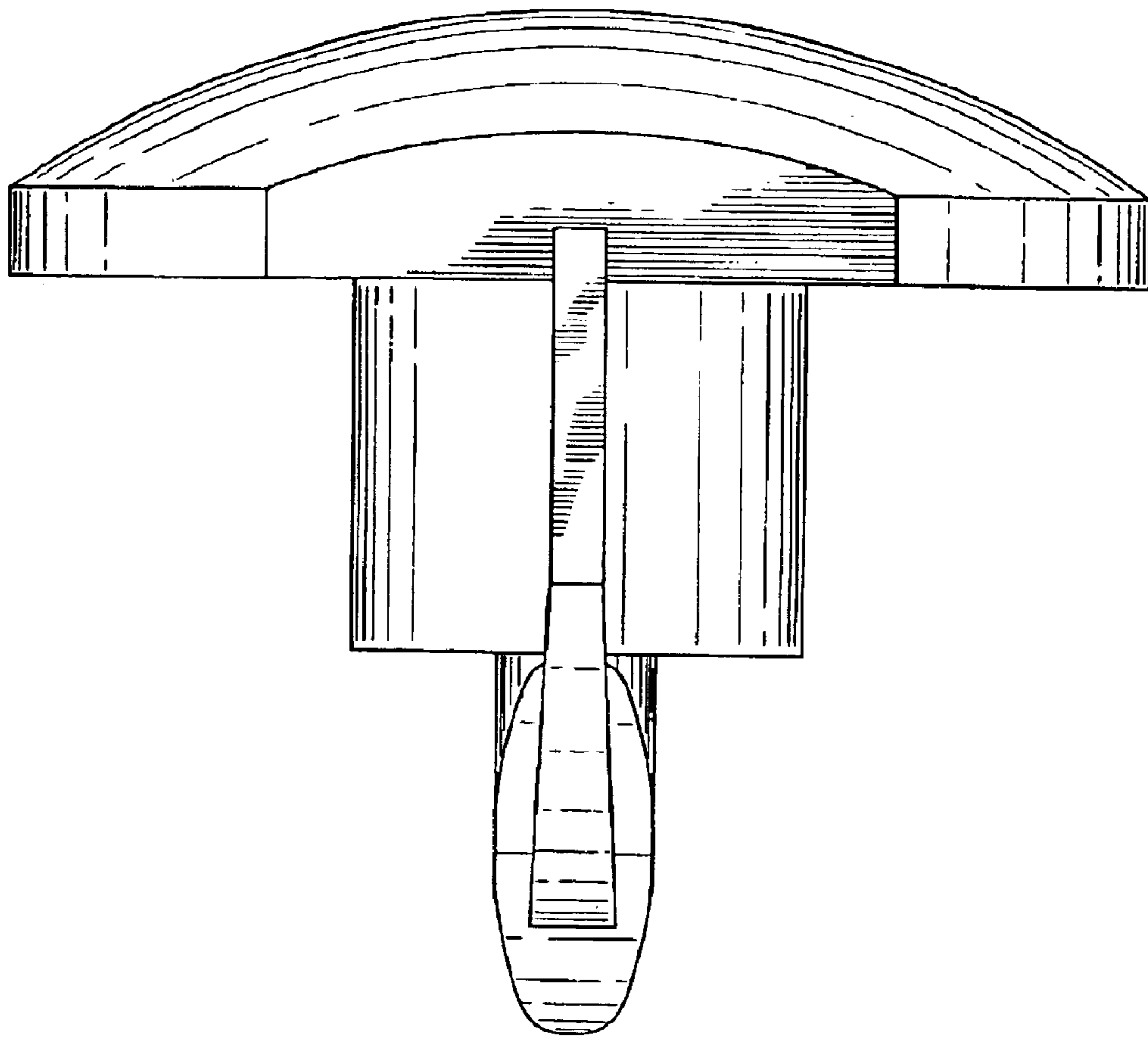


FIG. 2

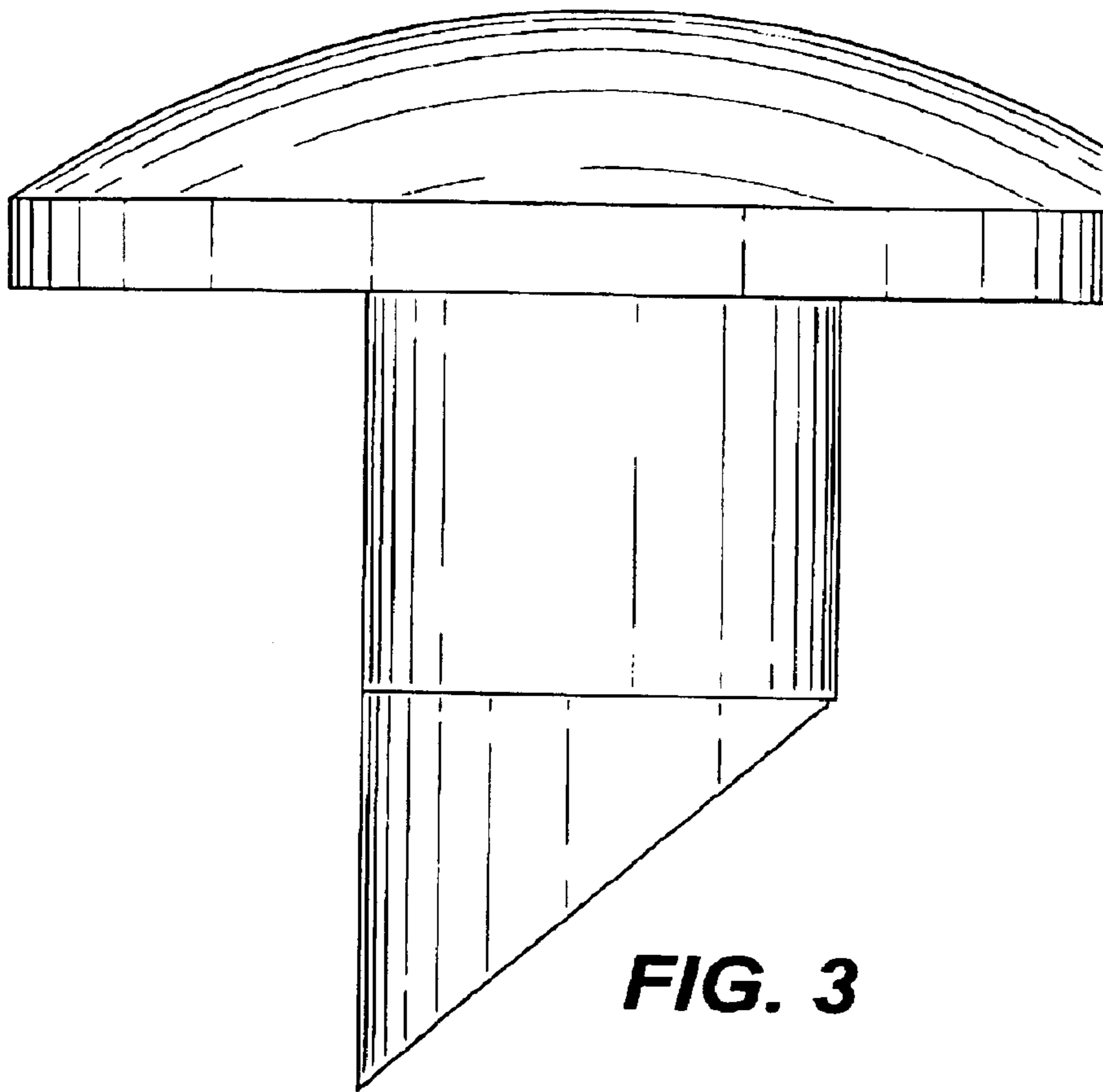
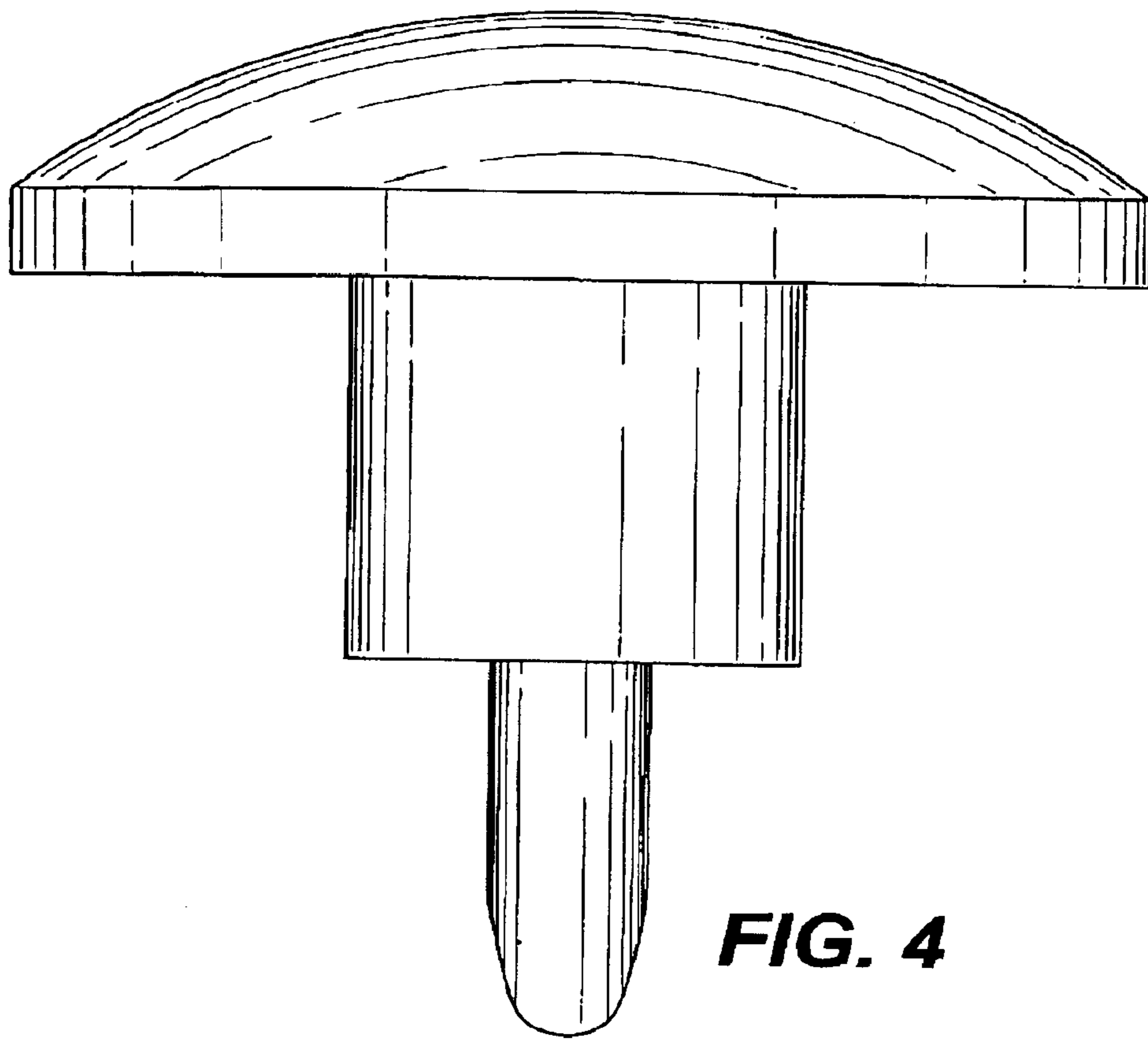


FIG. 3



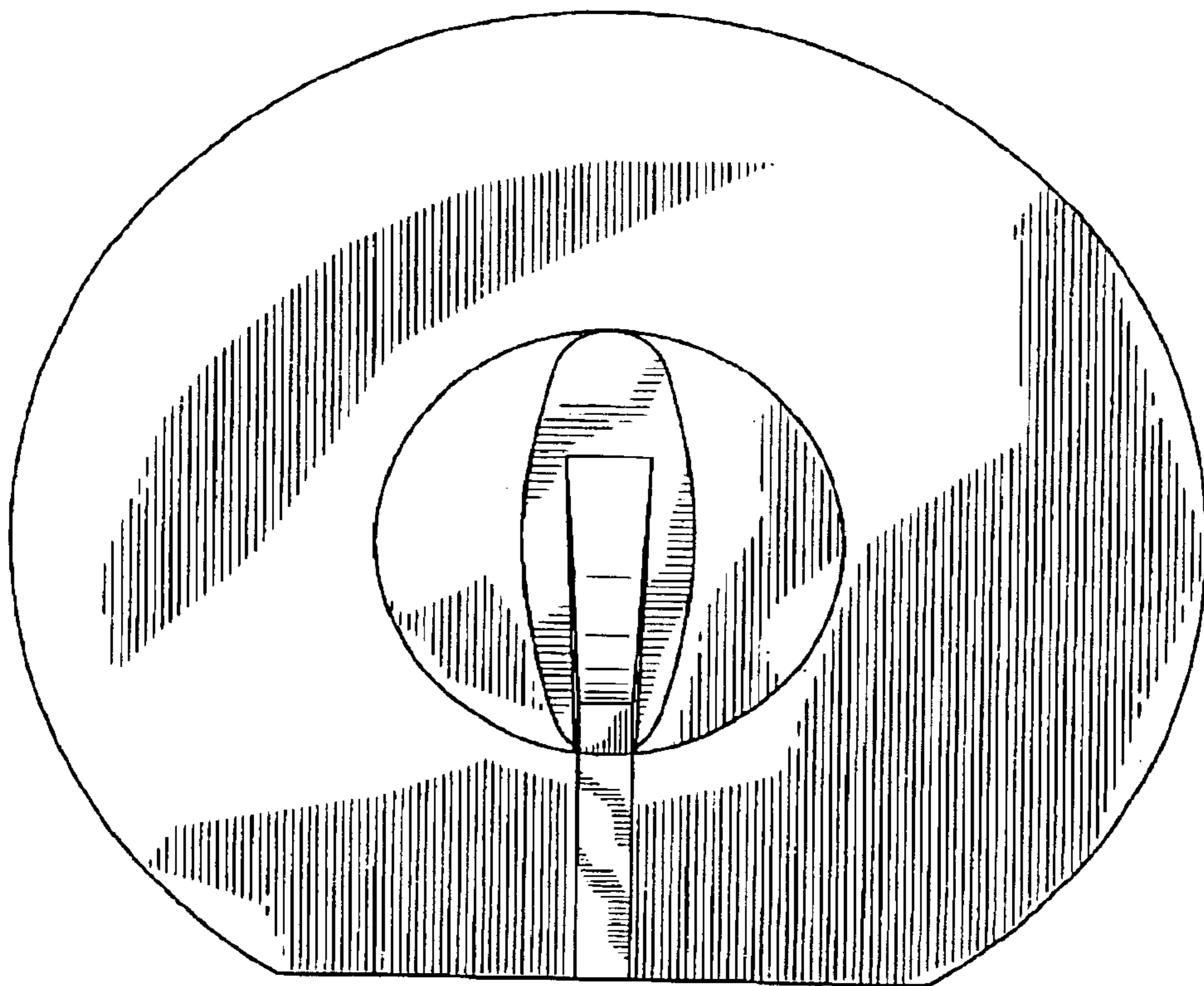


FIG. 5

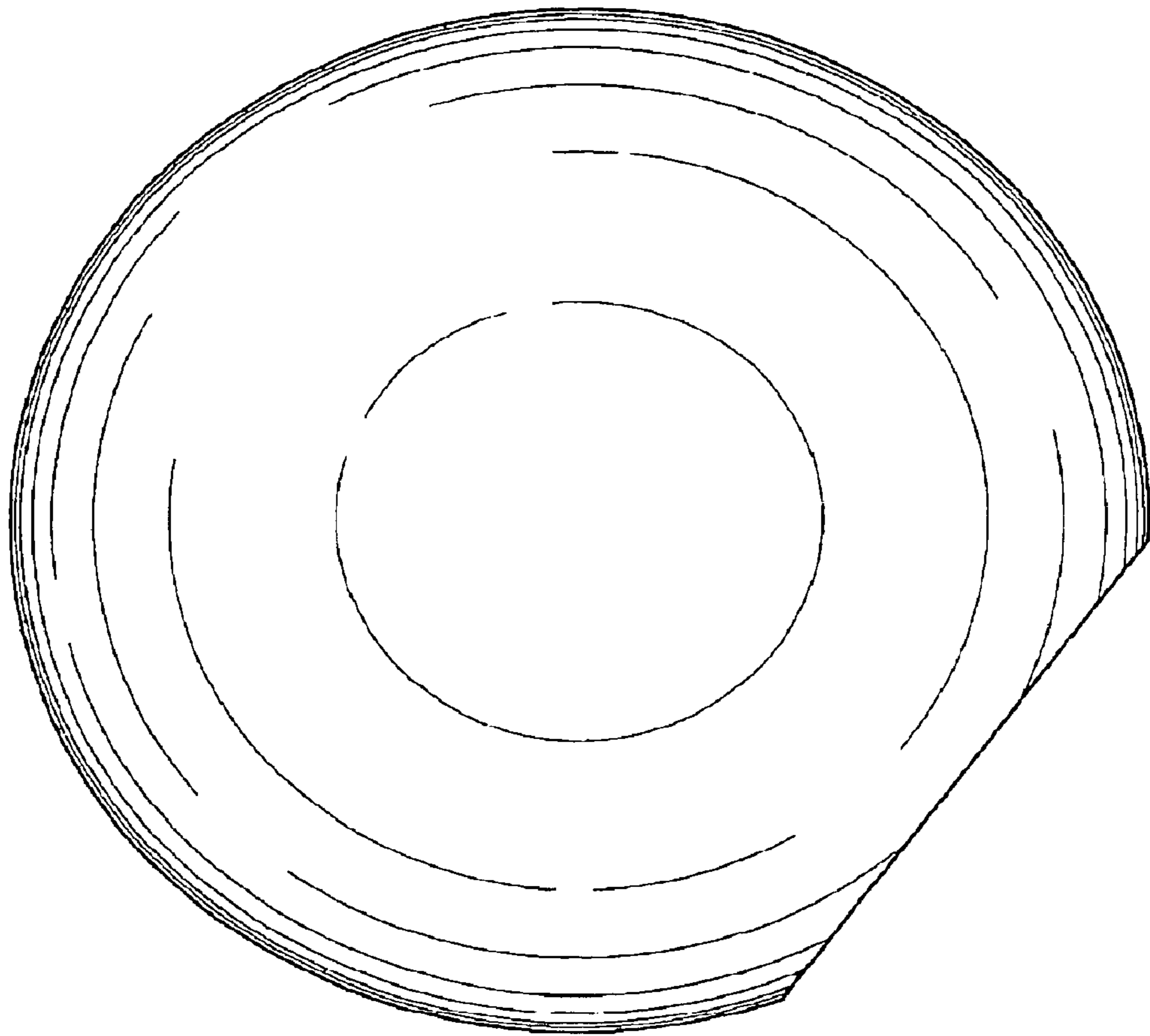


FIG. 6