

US00D508126S

(12) **United States Design Patent**  
**Curtin**

(10) **Patent No.:** **US D508,126 S**

(45) **Date of Patent:** **\*\* Aug. 2, 2005**

(54) **CEILING FAN HOUSING**

(75) Inventor: **Brett Curtin**, Phoenix, AZ (US)

(73) Assignee: **Craftmade International, Inc.**,  
Coppell, TX (US)

(\*\*) Term: **14 Years**

(21) Appl. No.: **29/197,383**

(22) Filed: **Jan. 14, 2004**

(51) **LOC (8) Cl.** ..... **23-04**

(52) **U.S. Cl.** ..... **D23/411**

(58) **Field of Search** ..... D23/377, 379,  
D23/411, 385; 416/5

(56) **References Cited**

**U.S. PATENT DOCUMENTS**

D378,779 S \* 4/1997 Tsuji ..... D23/377

D399,947 S 10/1998 Kennedy

D421,799 S \* 3/2000 Zuege ..... D23/411

\* cited by examiner

*Primary Examiner*—Lisa Lichtenstein

(74) *Attorney, Agent, or Firm*—Haynes and Boone, LLP

(57) **CLAIM**

The ornamental design for a ceiling fan housing, as shown and described.

**DESCRIPTION**

FIG. 1 is a perspective view of the ceiling fan housing showing my new design;

FIG. 2 is a front view thereof, the left side view, the right side view, and the rear view being the same;

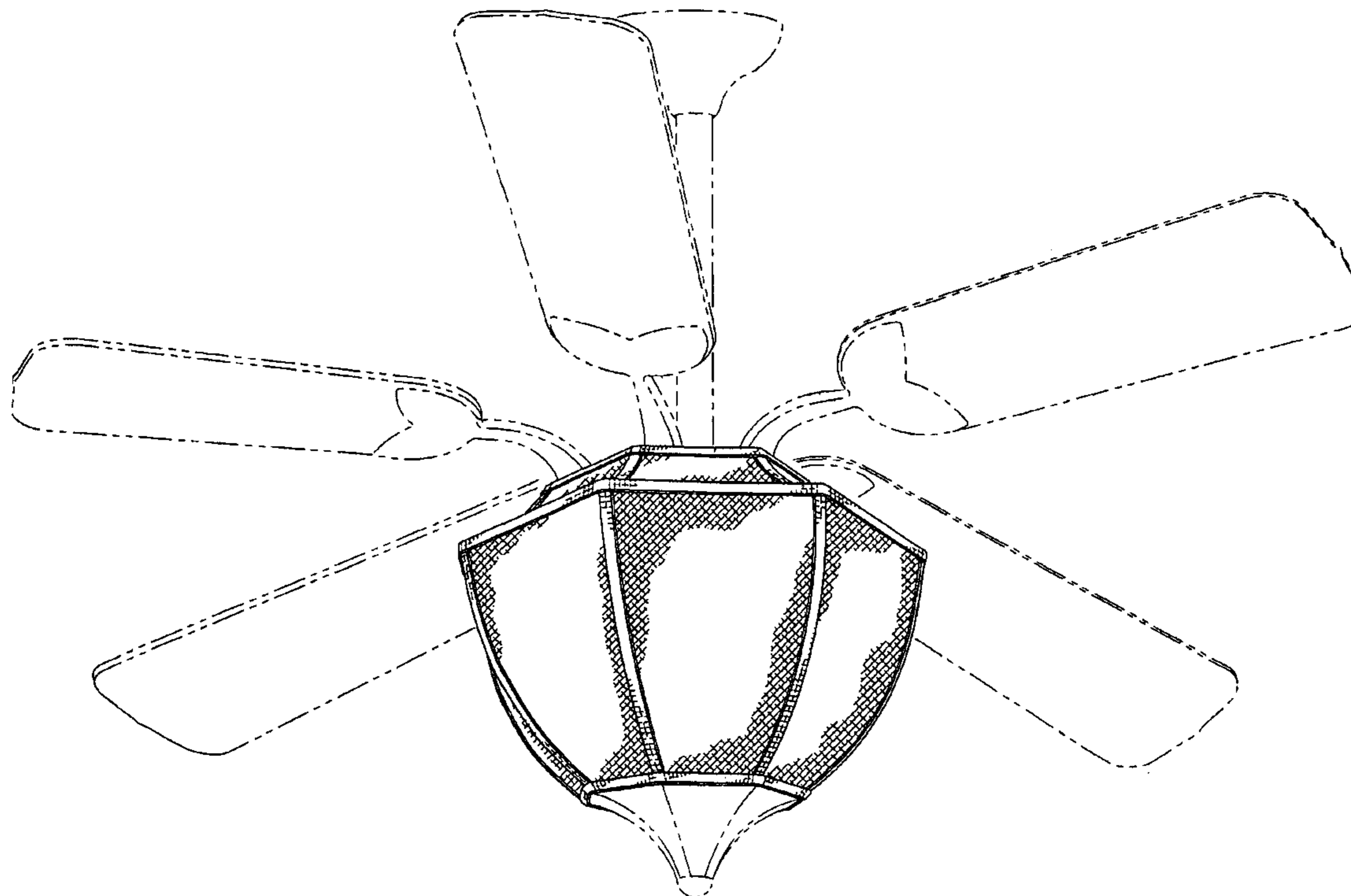
FIG. 3 is a top view thereof; and,

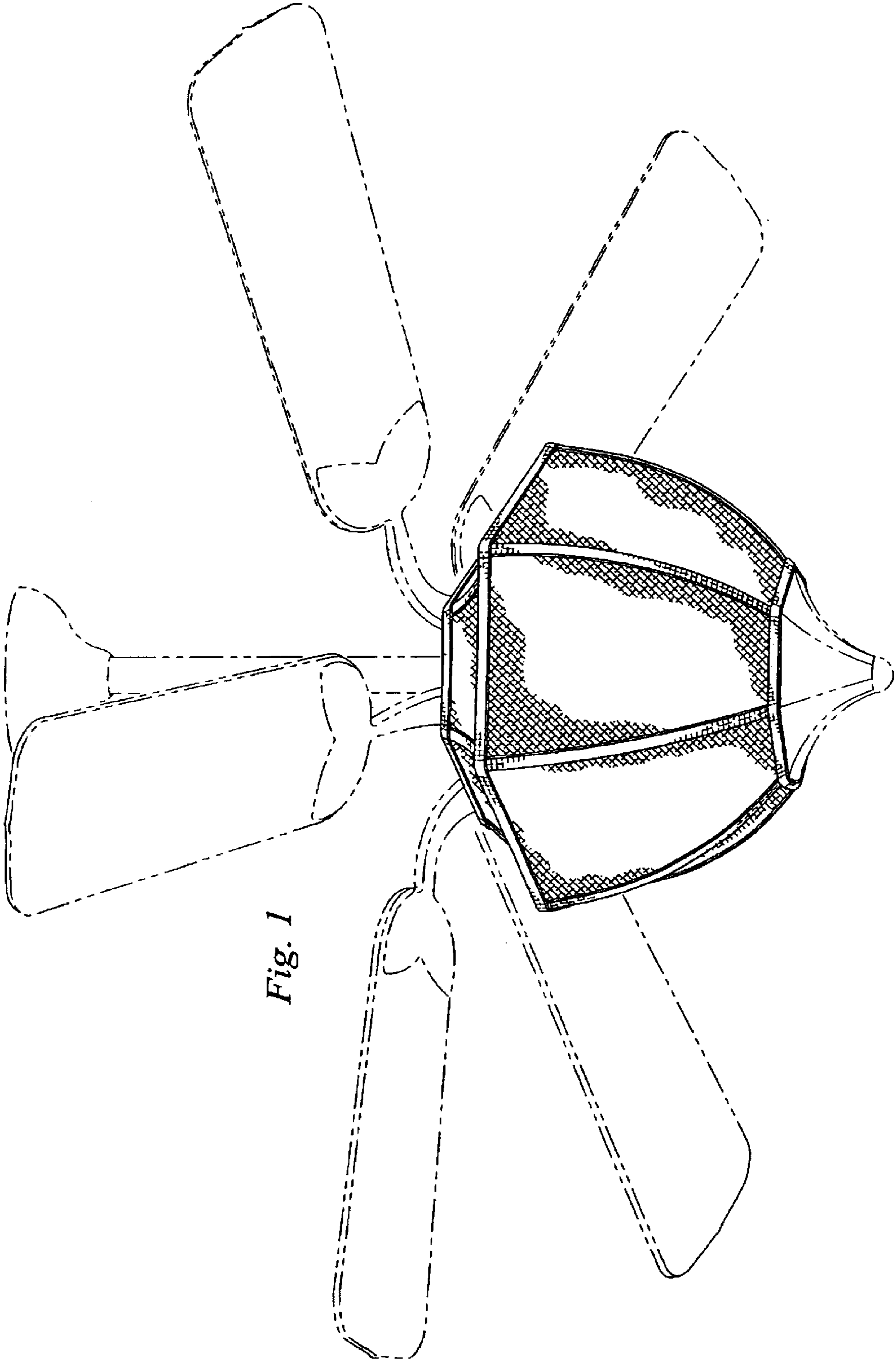
FIG. 4 is a bottom view thereof.

Any broken line illustration of environmental structure in the drawings is not part of the design sought to be patented.

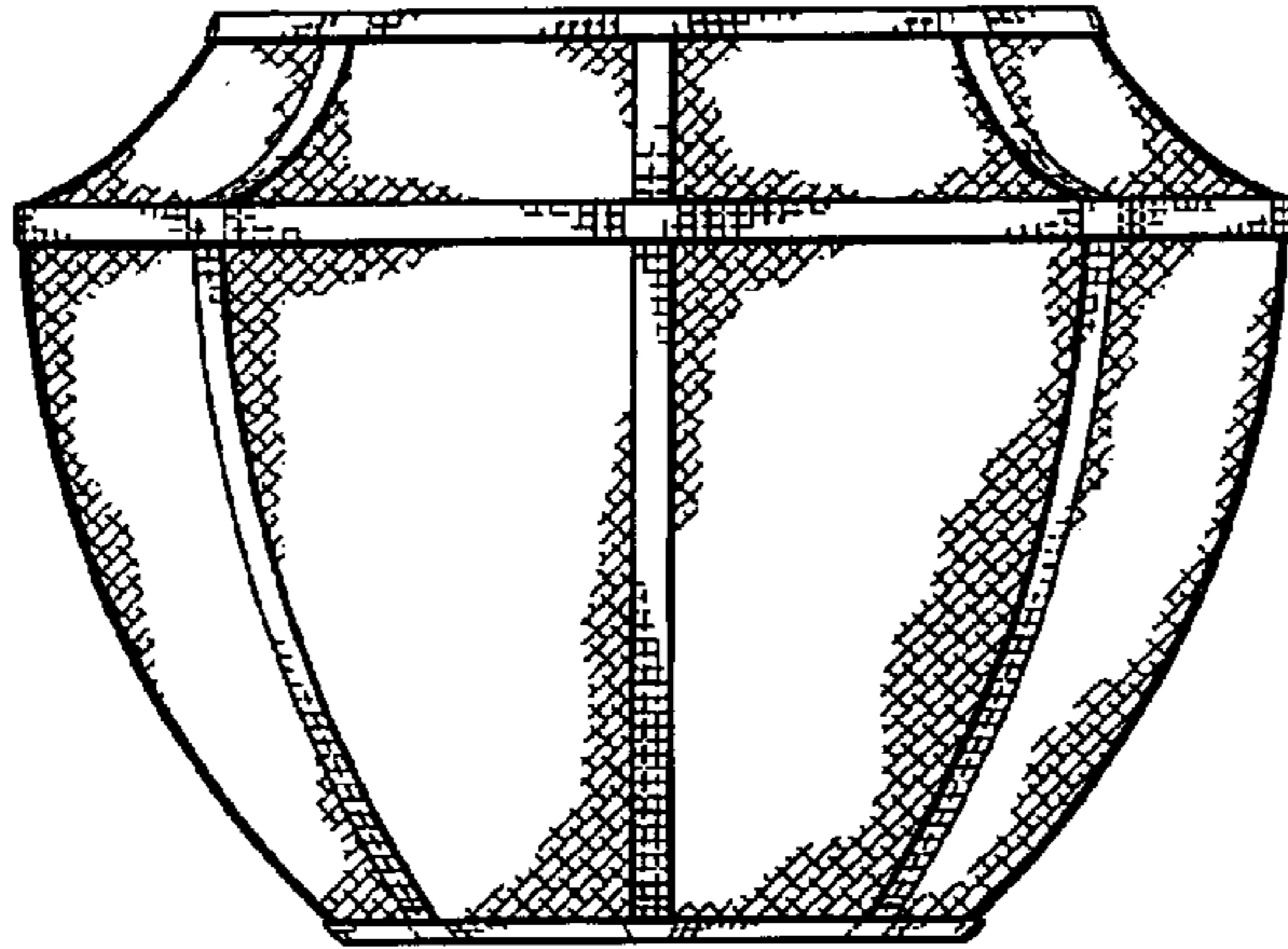
The cross-hatch shading represents fabric and is understood to extend uniformly throughout the areas represented in FIGS. 1–4.

**1 Claim, 2 Drawing Sheets**

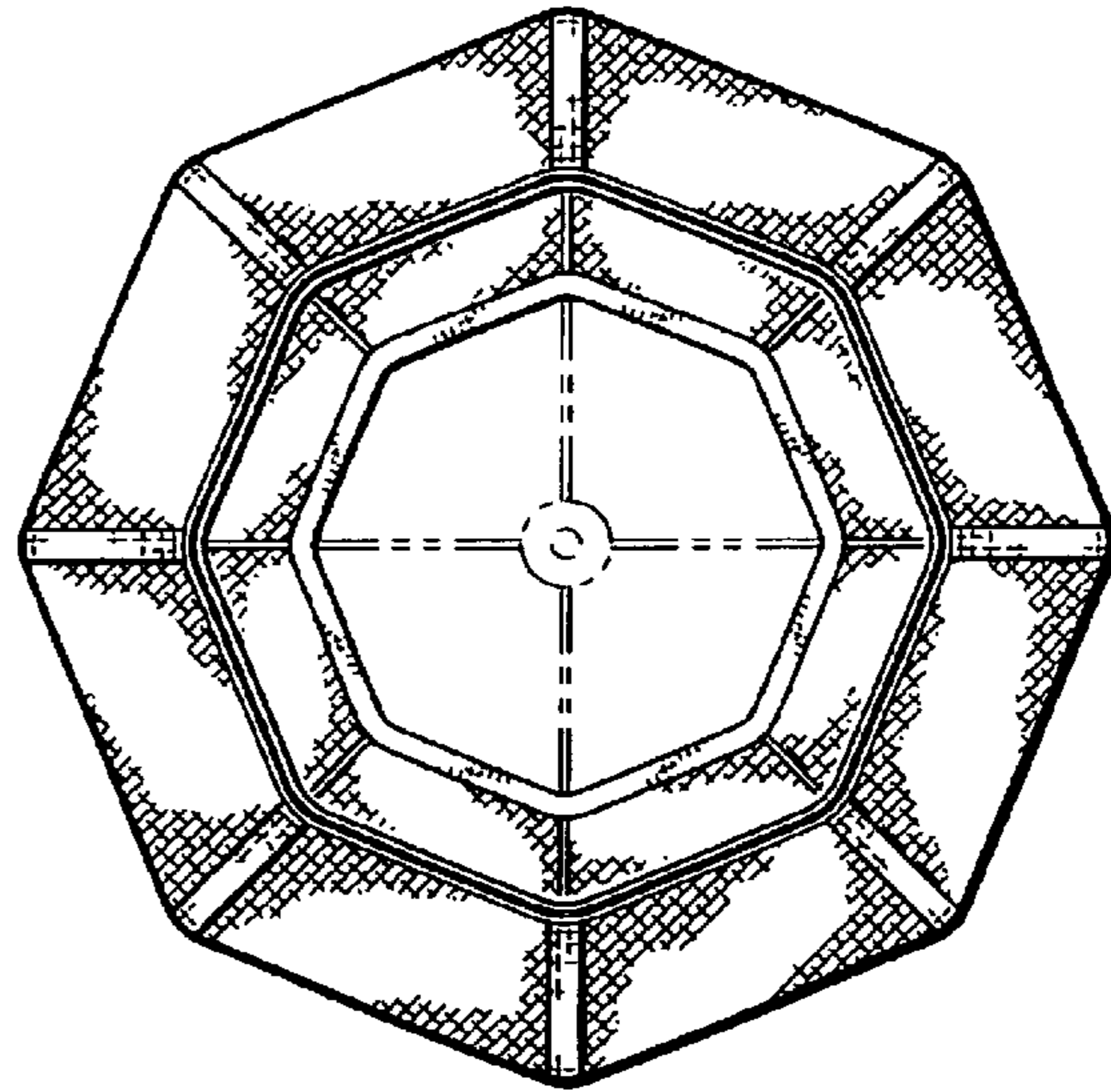




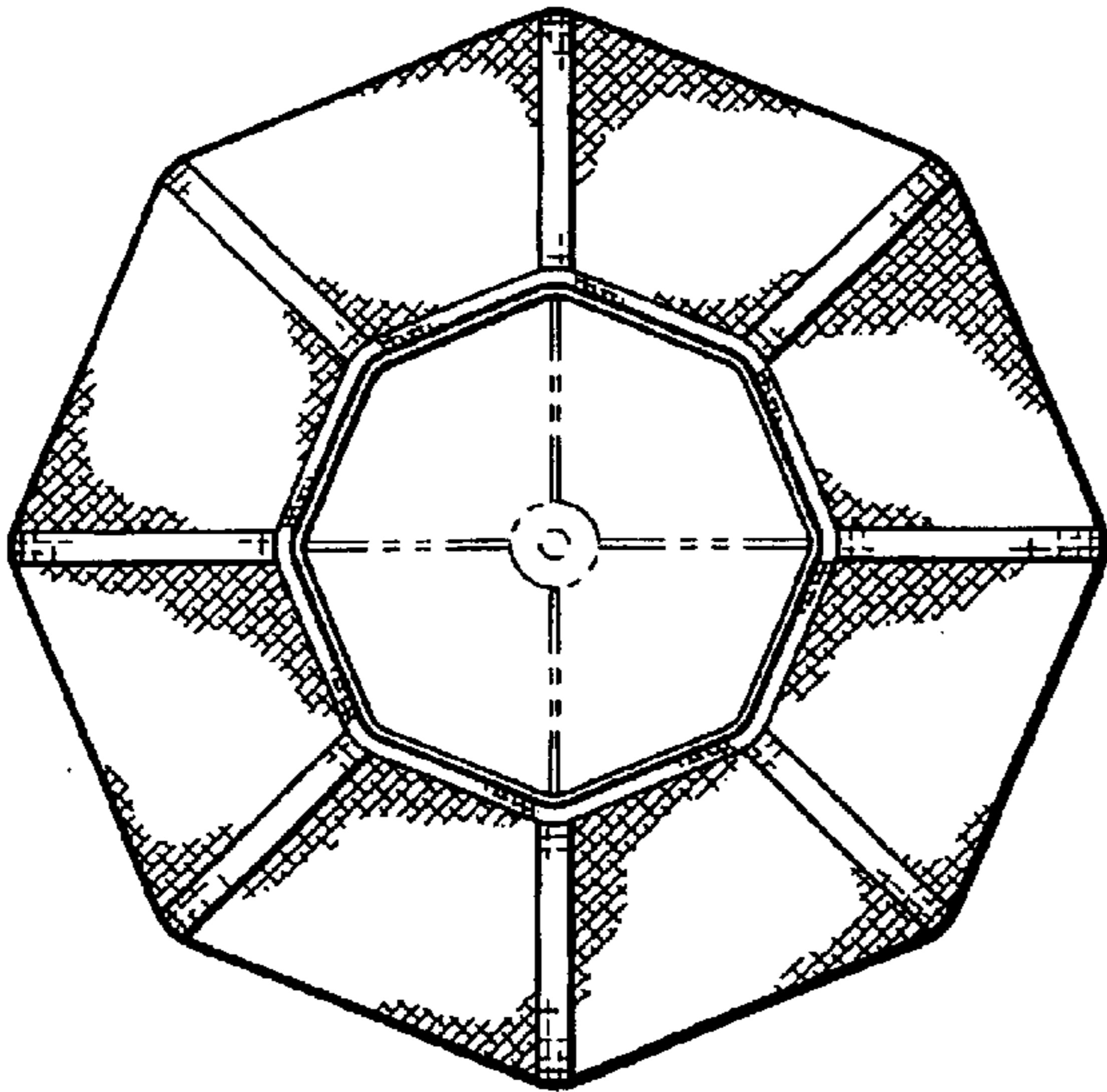
*Fig. 1*



*Fig. 2*



*Fig. 3*



*Fig. 4*