

US00D508124S

(12) **United States Design Patent** (10) **Patent No.:** **US D508,124 S**
Young (45) **Date of Patent:** **** Aug. 2, 2005**

- (54) **CEILING FAN BLADE IRON**
- (75) Inventor: **Stanfield Young**, Garden Grove, CA (US)
- (73) Assignee: **Minka Lighting, Inc.**, Corona, CA (US)
- (**) Term: **14 Years**
- (21) Appl. No.: **29/193,320**
- (22) Filed: **Nov. 7, 2003**
- (51) **LOC (8) Cl.** **23-04**
- (52) **U.S. Cl.** **D23/411**
- (58) **Field of Search** D23/377, 411, D23/379, 385, 413; 416/5; D26/59, 51, 72, 81-88

(56) **References Cited**

U.S. PATENT DOCUMENTS

- D376,421 S 12/1996 Jaspers-Fayer D23/377
- D378,404 S * 3/1997 Jaspers-Fayer D23/377
- D410,100 S * 5/1999 Jaspers-Fayer D26/59

OTHER PUBLICATIONS

- U.S. Appl. No. 29/193,420, filed Nov. 7, 2003, Stanfield Young.
- U.S. Appl. No. 29/193,321, filed Nov. 7, 2003, Stanfield Young.
- U.S. Appl. No. 29/193,419, filed Nov. 7, 2003, Stanfield Young.
- U.S. Appl. No. 29/180,948, filed May 2, 2003, Stanfield Young.
- U.S. Appl. No. 29/180,946, filed May 2, 2003, Stanfield Young.
- U.S. Appl. No. 29/1803,947, filed May 2, 2003, Stanfield Young.
- U.S. Appl. No. 29/180,949, filed May 2, 2003, Stanfield Young.

Minka Aire Two Thousand; pp. 22, 23, Dec. 1, 1999, Minka Lighting, Inc. USA.

* cited by examiner

Primary Examiner—Lisa Lichtenstein

(74) *Attorney, Agent, or Firm*—Baker & McKenzie, LLP

(57) **CLAIM**

The ornamental design for a ceiling fan blade iron, as shown and described.

DESCRIPTION

FIG. 1 is a perspective view from below of a ceiling fan blade iron in accordance with my design, illustrating the environment of said blade iron;

FIG. 2 is a perspective view from below of the ceiling fan blade iron in accordance with my design, illustrating the environment of said blade iron;

FIG. 3 is an enlarged perspective view of the ceiling fan blade iron in accordance with my design, illustrating the environment of said blade iron;

FIG. 4 is a bottom plan view of the ceiling fan blade iron in accordance with my design, illustrating the environment of said blade iron;

FIG. 5 is a top plan view of the ceiling fan blade iron in accordance with my design, illustrating the environment of said blade iron;

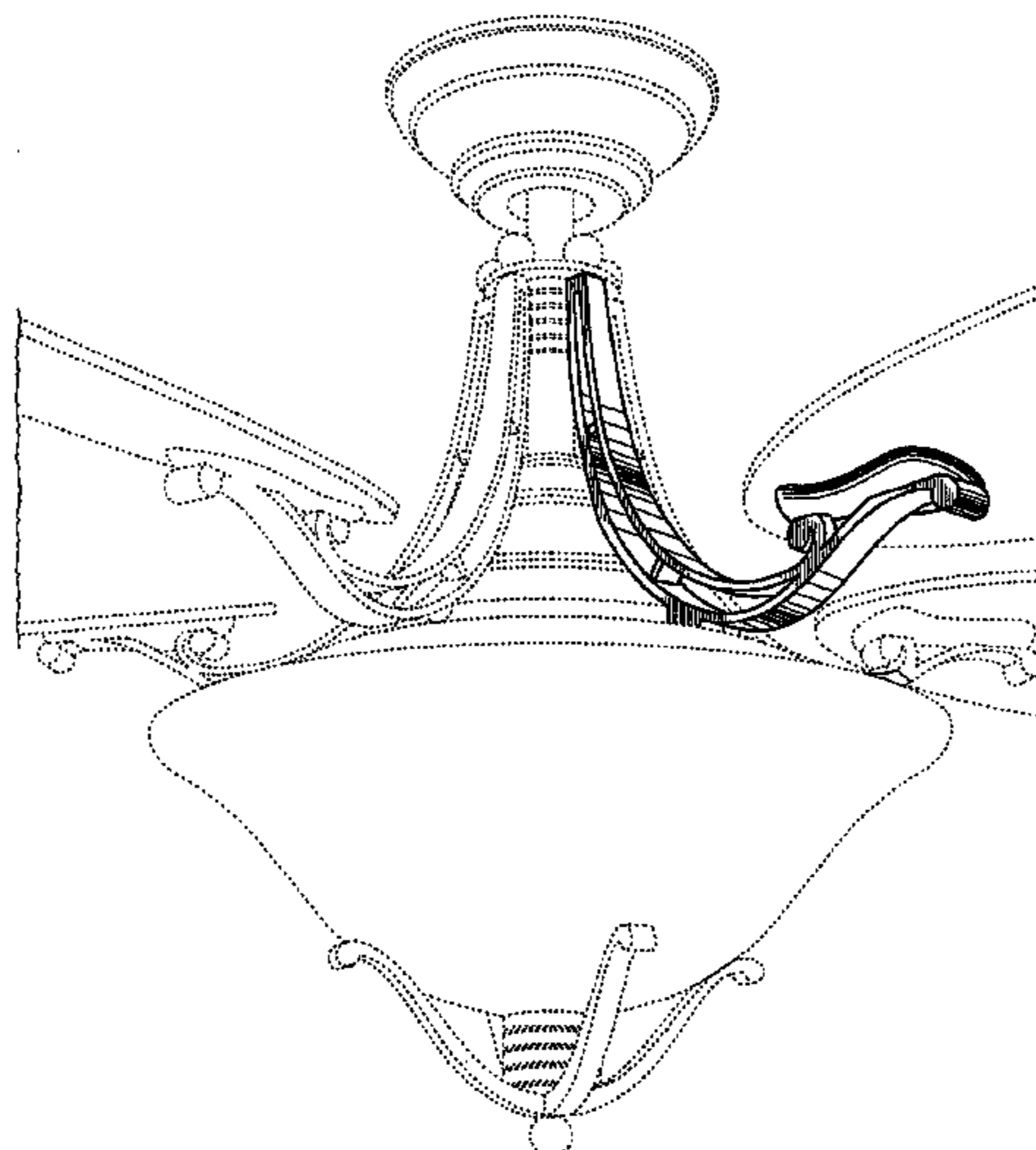
FIG. 6 is a side elevation view of the ceiling fan blade iron in accordance with my design, illustrating the environment of said blade iron;

FIG. 7 is a distal view of the ceiling fan blade iron in accordance with my design, illustrating the environment of said blade iron; and,

FIG. 8 is a proximal view of the ceiling fan blade iron in accordance with my design, illustrating the environment of said blade iron.

The broken lines showing environmental structure are for illustrative purposes and form no part of the claimed design. In FIGS. 1, 3, 4, 5 and 6, the fan blade is shown broken away to indicate indeterminate length.

1 Claim, 5 Drawing Sheets



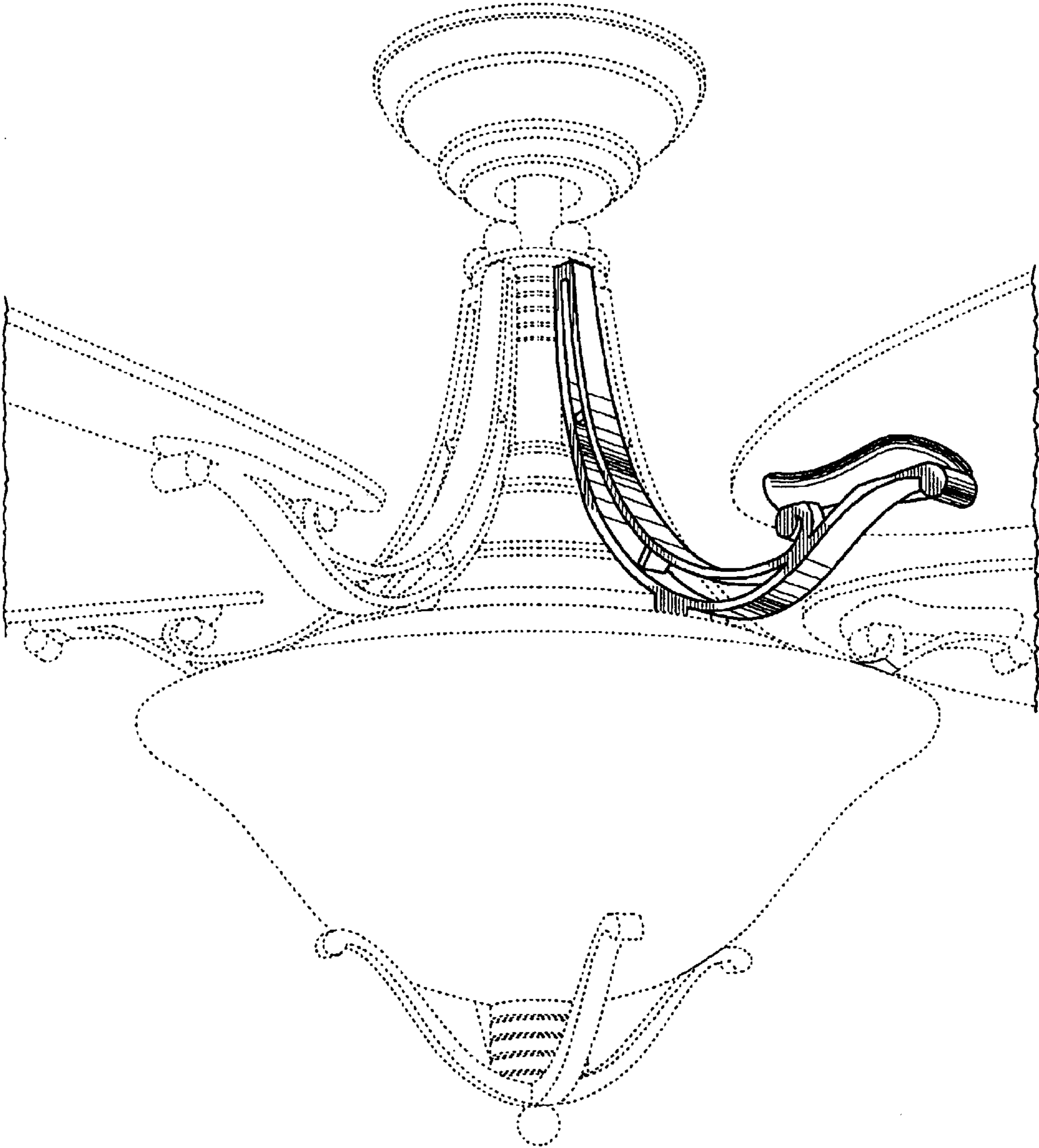


Fig. 1

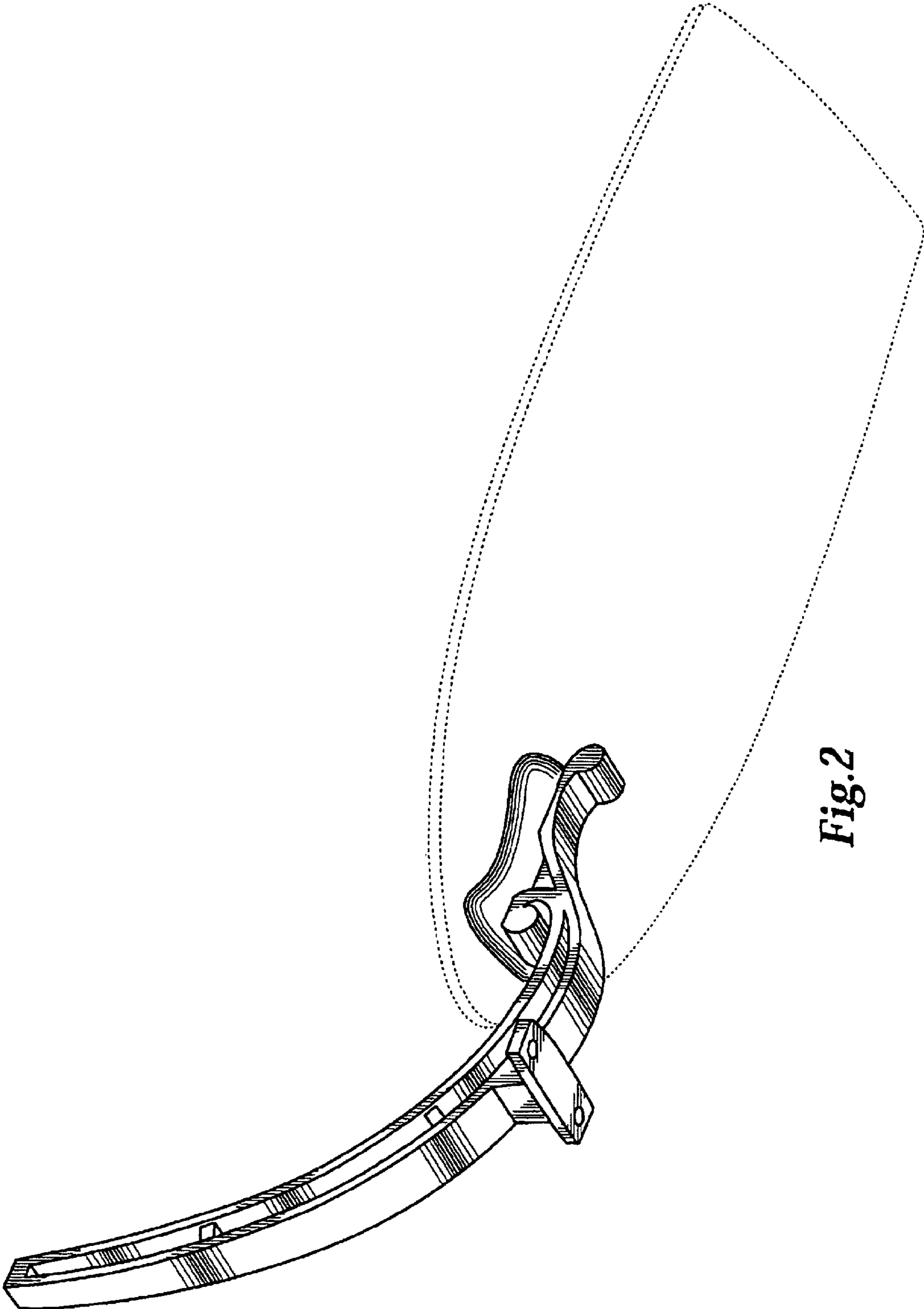
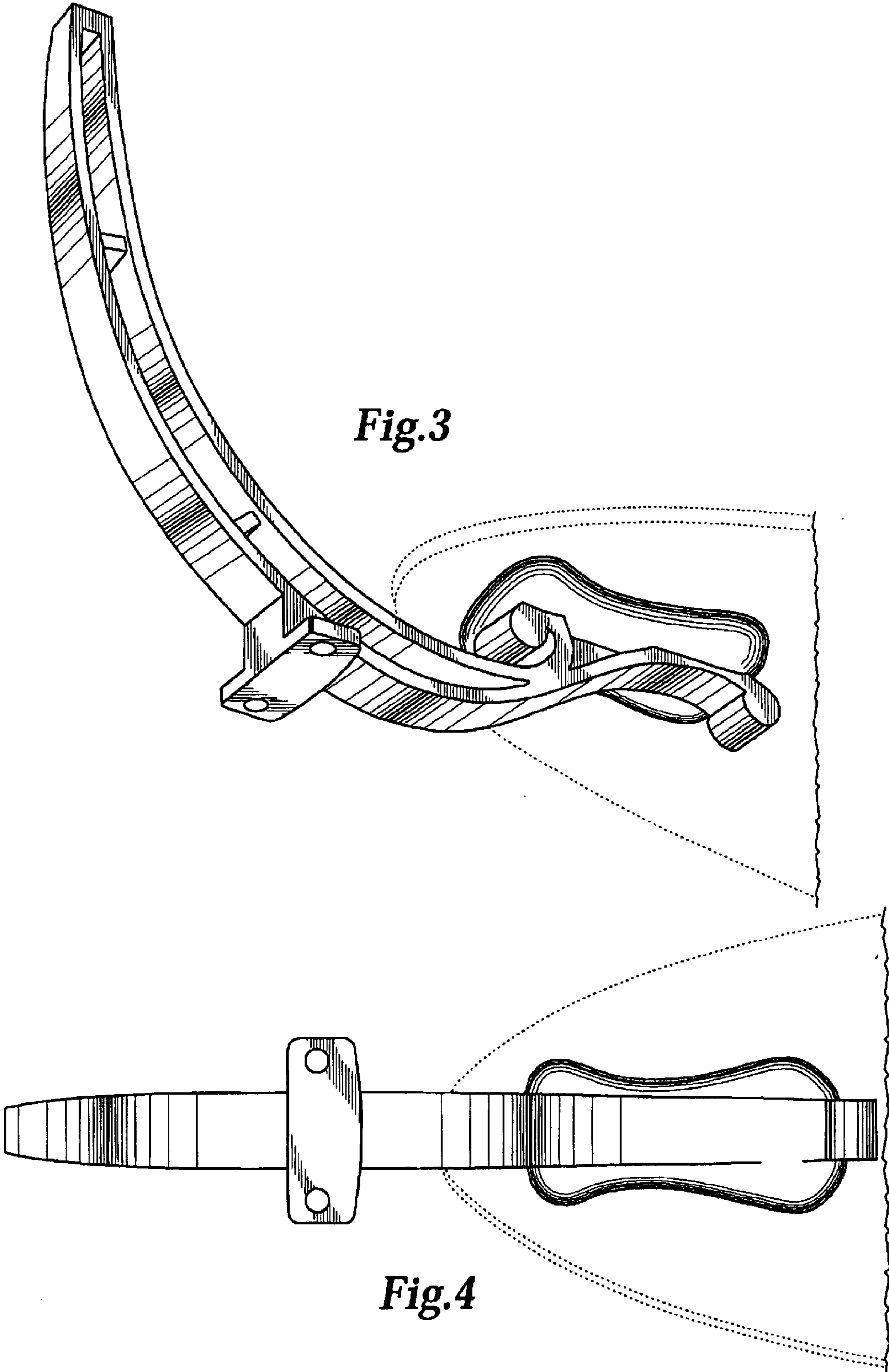


Fig. 2



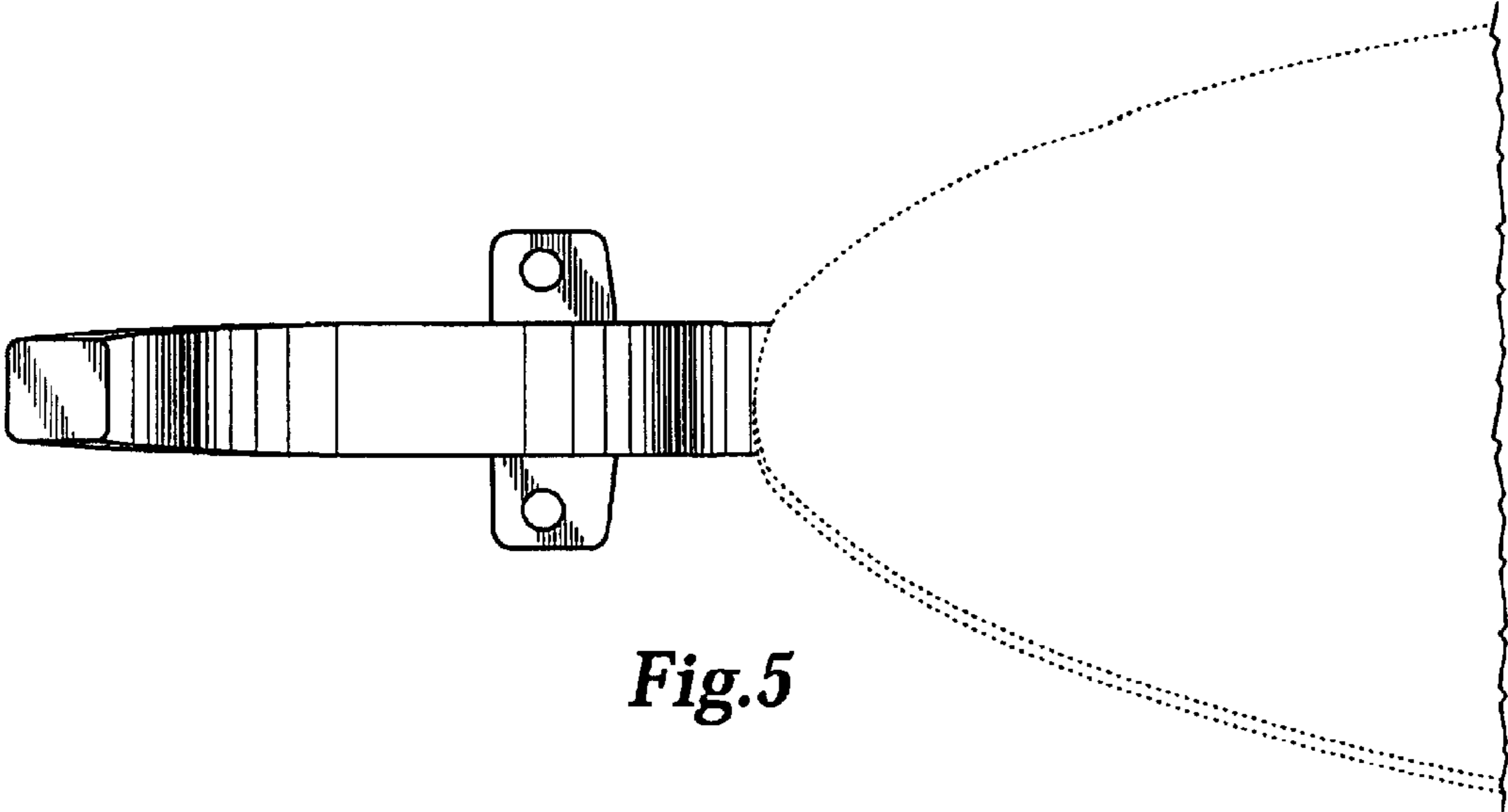


Fig.5

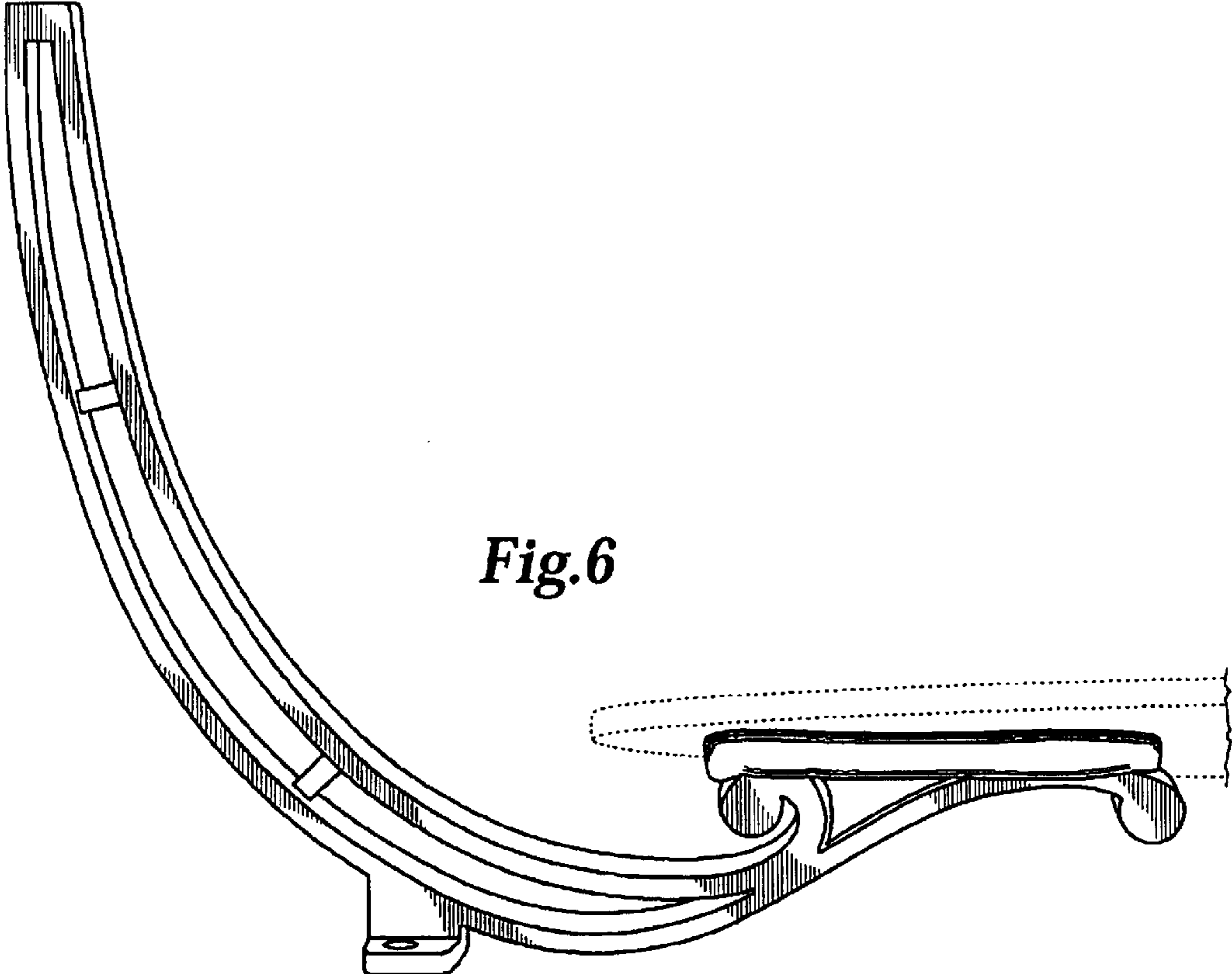


Fig.6

