

US00D508122S

(12) **United States Design Patent**
Murphy

(10) **Patent No.: US D508,122 S**

(45) **Date of Patent: ** Aug. 2, 2005**

(54) **AIR FLOW DIRECTING FIXTURE FOR HEATING, AIR CONDITIONING AND VENTILATION DEVICES**

D377,083 S * 12/1996 Smolarski D23/393
D407,480 S * 3/1999 Leiter et al. D23/388
6,506,113 B2 * 1/2003 Berger 454/290

(75) **Inventor: Timothy M. Murphy, Grapevine, TX (US)**

(73) **Assignee: Coyote International L.L.C., Forth Worth, TX (US)**

(**) **Term: 14 Years**

(21) **Appl. No.: 29/205,922**

(22) **Filed: May 20, 2004**

(51) **LOC (8) Cl. 12-16**

(52) **U.S. Cl. D23/387**

(58) **Field of Search D23/327, 328, D23/385, 341, 354, 387, 386-389, 239, 392-393; 126/152 R; 454/271, 277; 52/473; D12/192**

(56) **References Cited**

U.S. PATENT DOCUMENTS

D318 S	*	9/1850	Tuttle	D23/388
D320 S	*	9/1850	Tuttle	D23/388
D353 S	*	3/1851	Chilsan	D23/388
D355 S	*	3/1851	Chilsan	D23/388
D3,616 S	*	8/1869	Phinney	D23/388
D15,343 S	*	8/1884	Namur	D23/388
D30,568 S	*	4/1899	Ullberg	D23/388
D361,378 S	*	8/1995	Mitchell	D23/393

OTHER PUBLICATIONS

Air Distribution Products, Mobile Climate Control catalog, p. 114, Toronto, Canada.

Cary Products, Round Louvers, p. 61, Hutchinson, Texas.

* cited by examiner

Primary Examiner—Louis S. Zarfes

Assistant Examiner—Susan Bennett Hattan

(74) *Attorney, Agent, or Firm*—Geoffrey A. Mantooth

(57) **CLAIM**

The ornamental design for an air flow directing fixture for heating, air conditioning and ventilation devices, as shown and described.

DESCRIPTION

FIG. 1 is an isometric top view of the air flow directing fixture, showing my new design;

FIG. 2 is an isometric bottom view thereof;

FIG. 3 is a top plan view thereof;

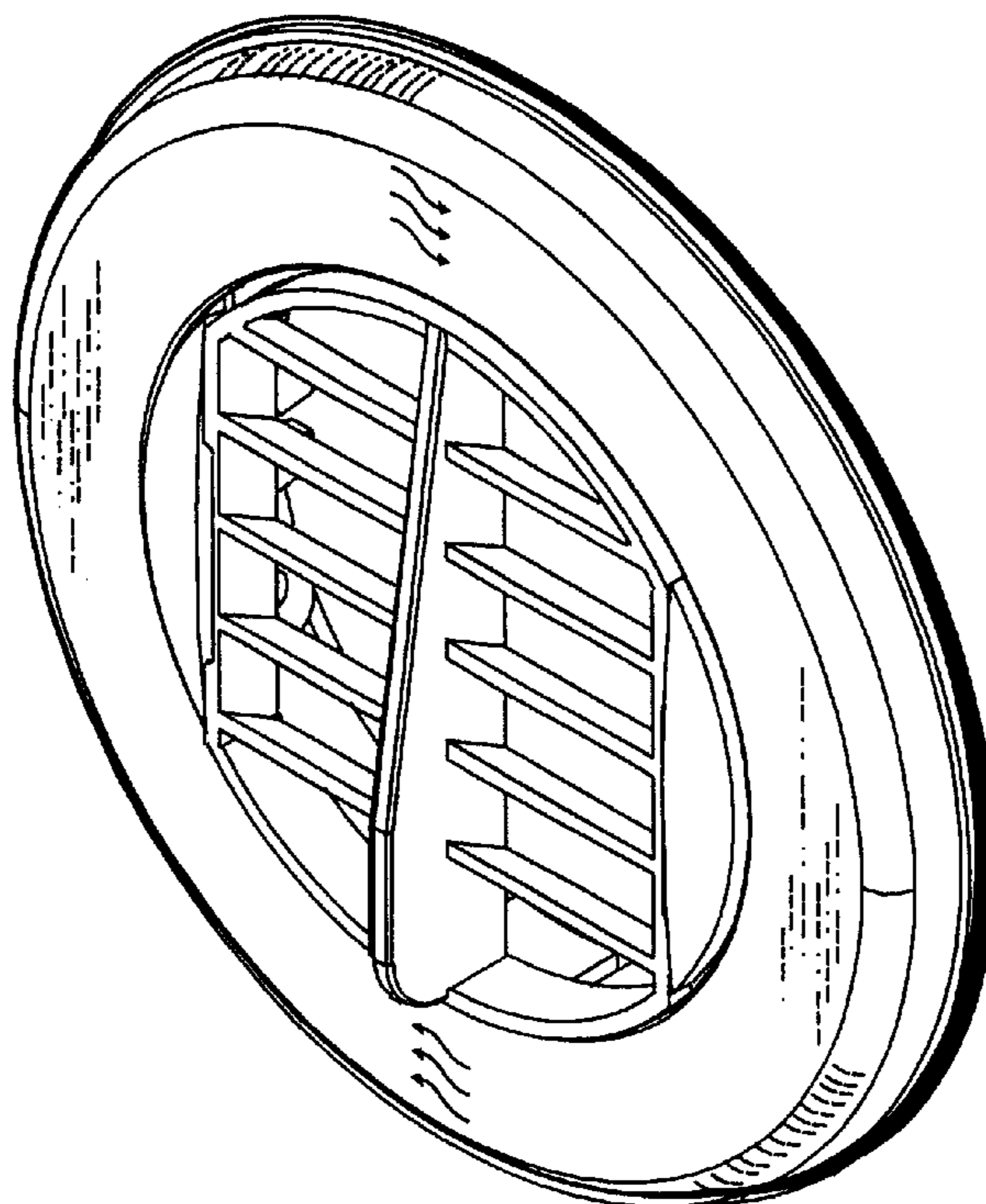
FIG. 4 is a left side view thereof;

FIG. 5 is a right side view thereof;

FIG. 6 is a front side view thereof, the opposite side being a mirror image thereof; and,

FIG. 7 is a bottom view thereof.

1 Claim, 2 Drawing Sheets



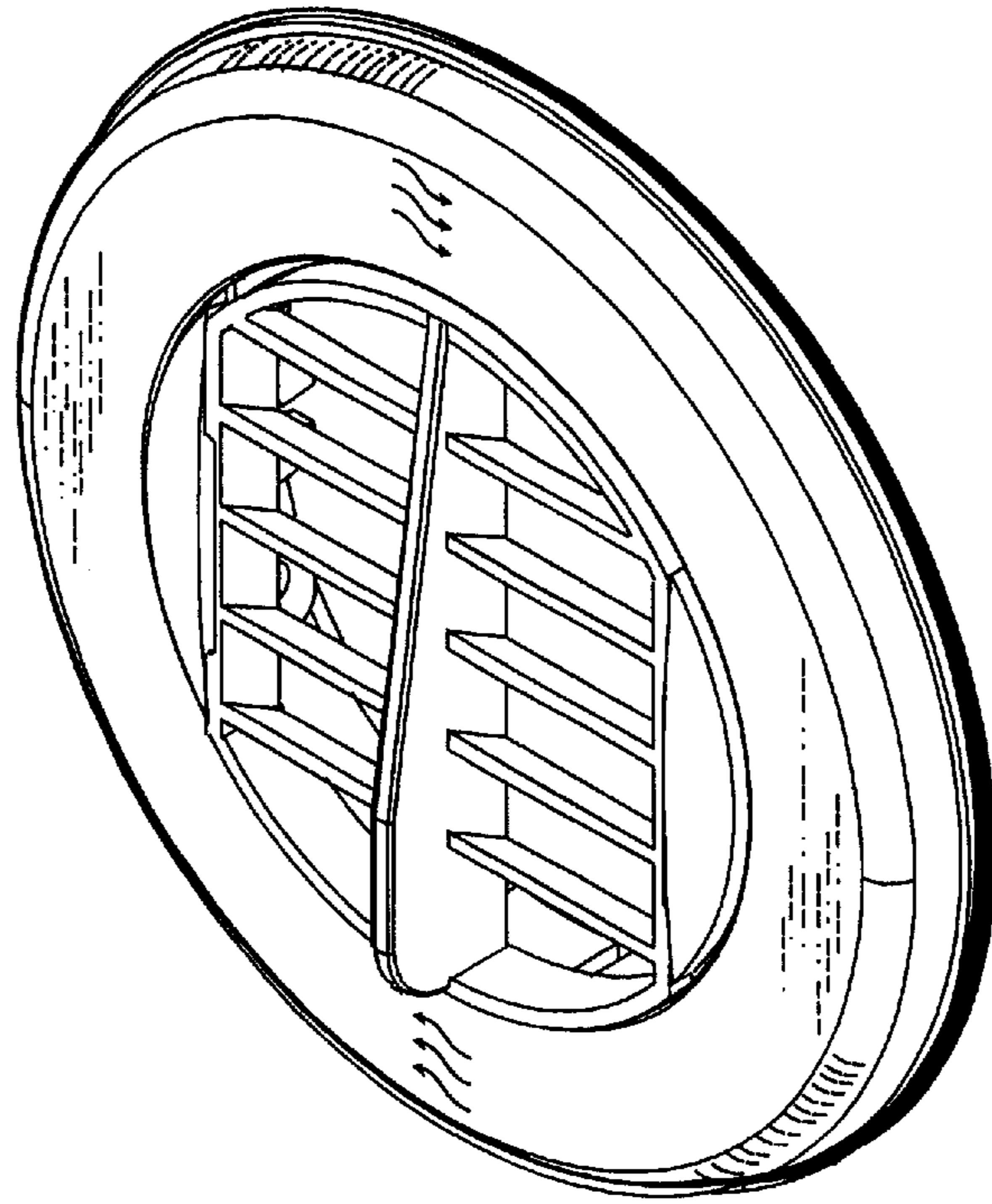


Fig. 1

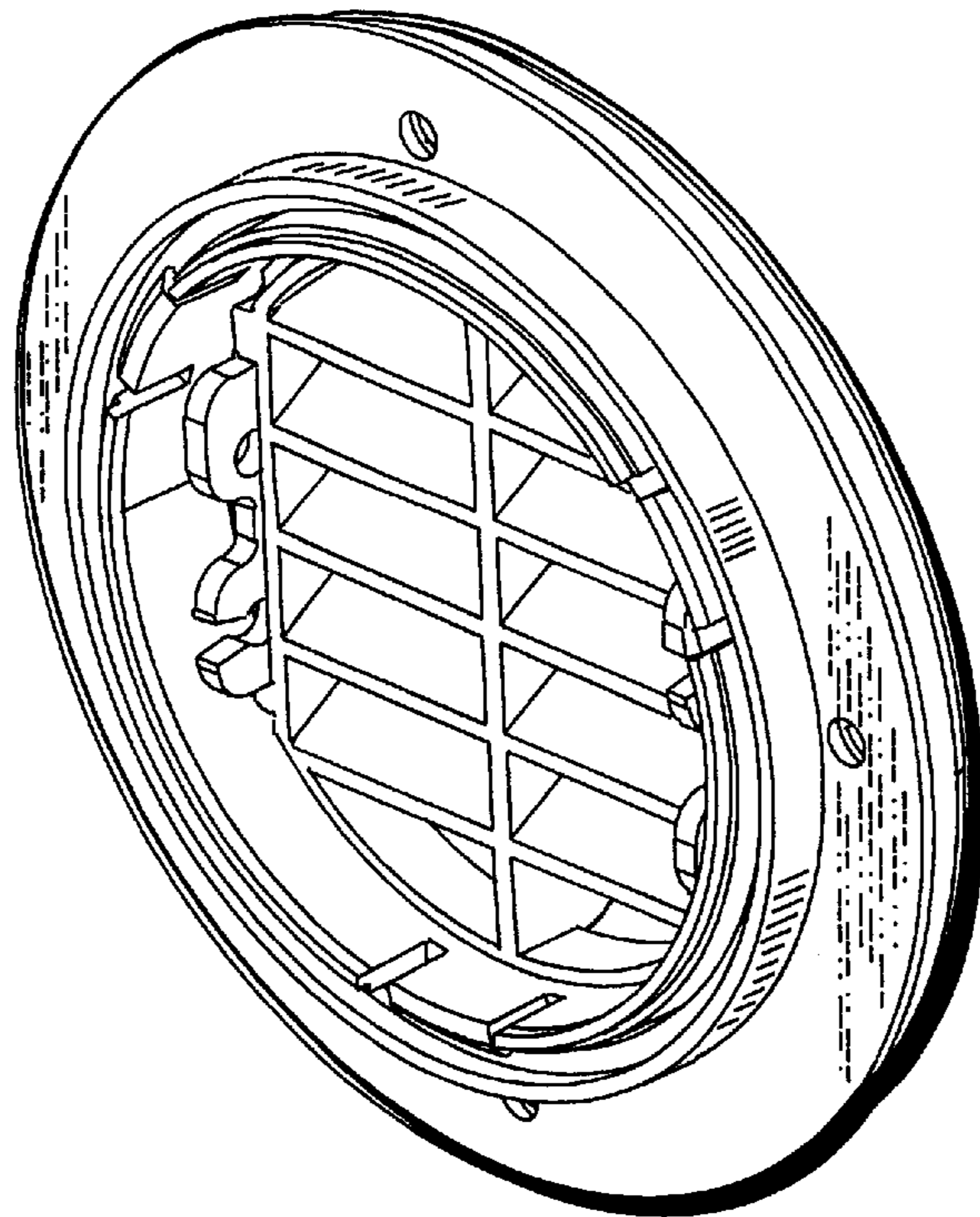


Fig. 2

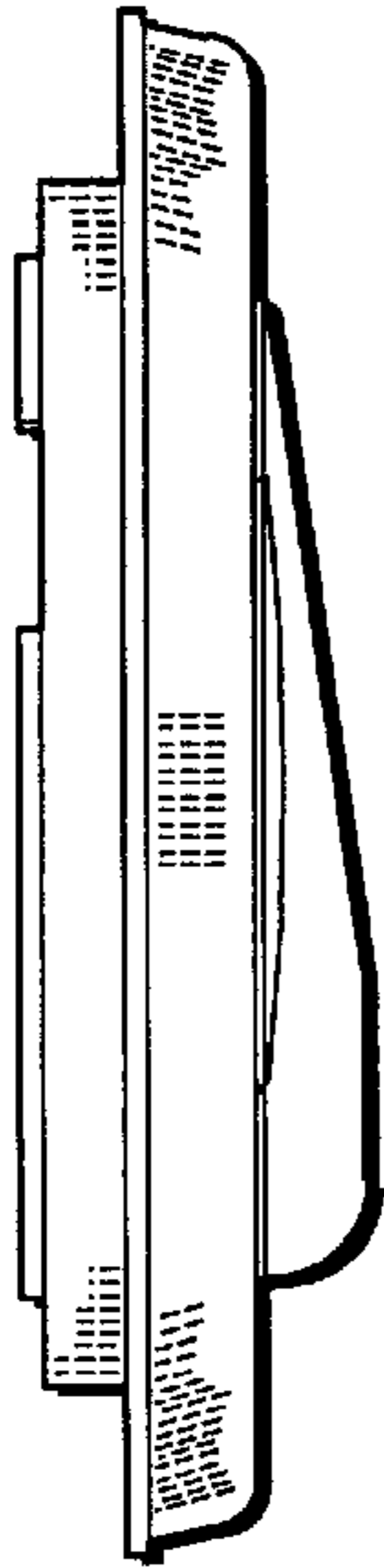


Fig. 4

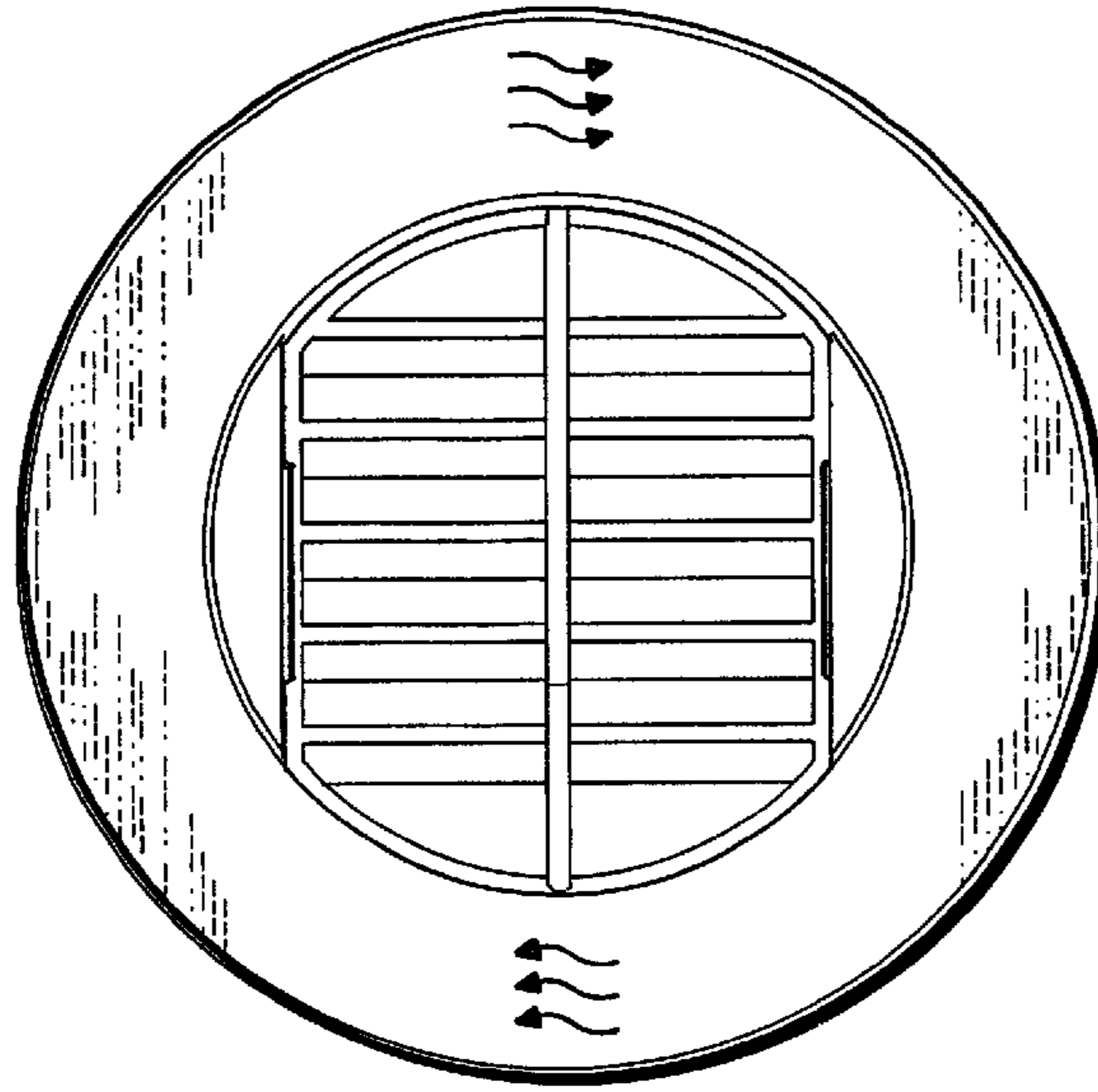


Fig. 3

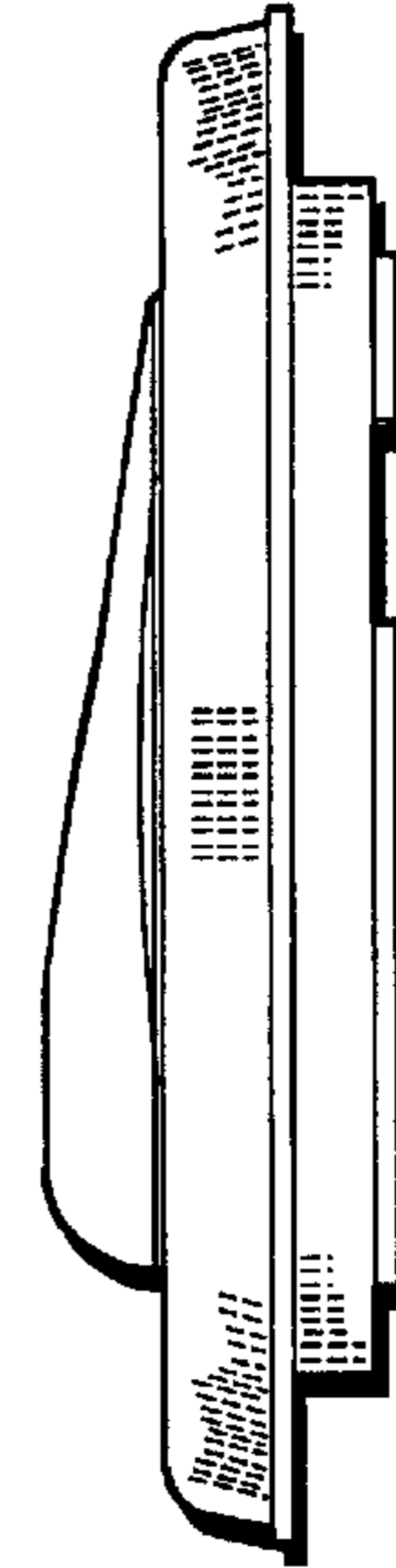


Fig. 5

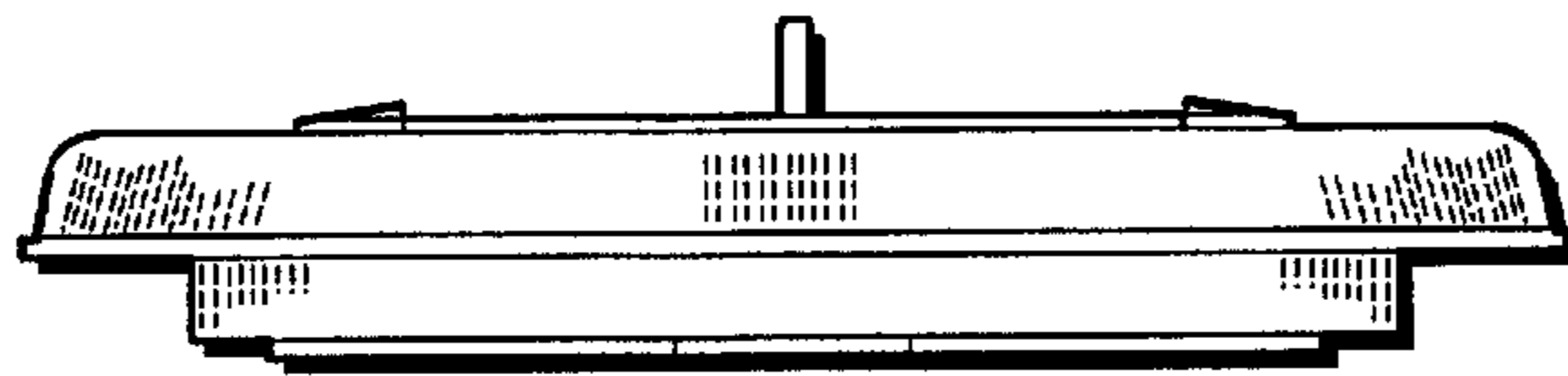


Fig. 6

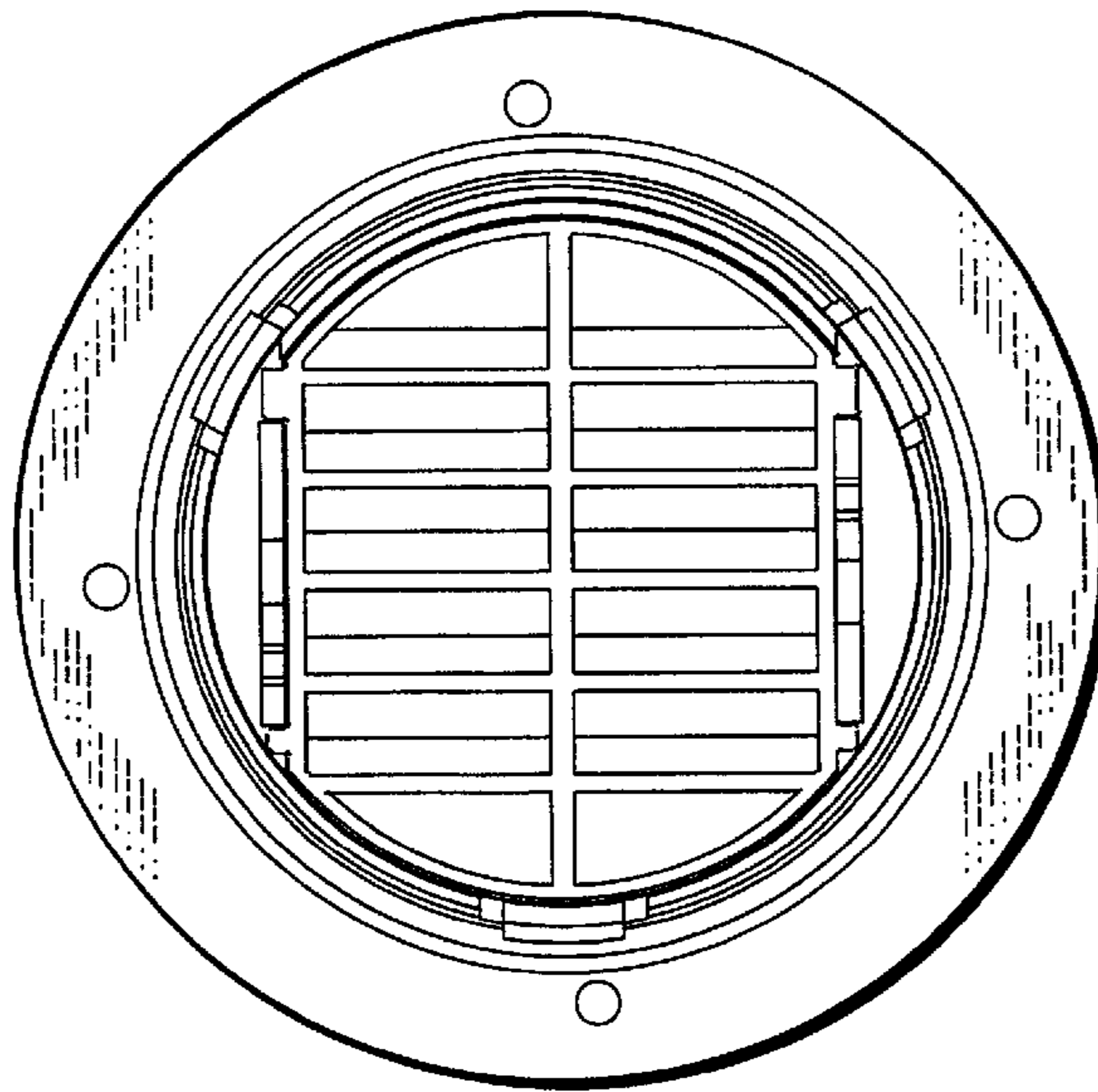


Fig. 7